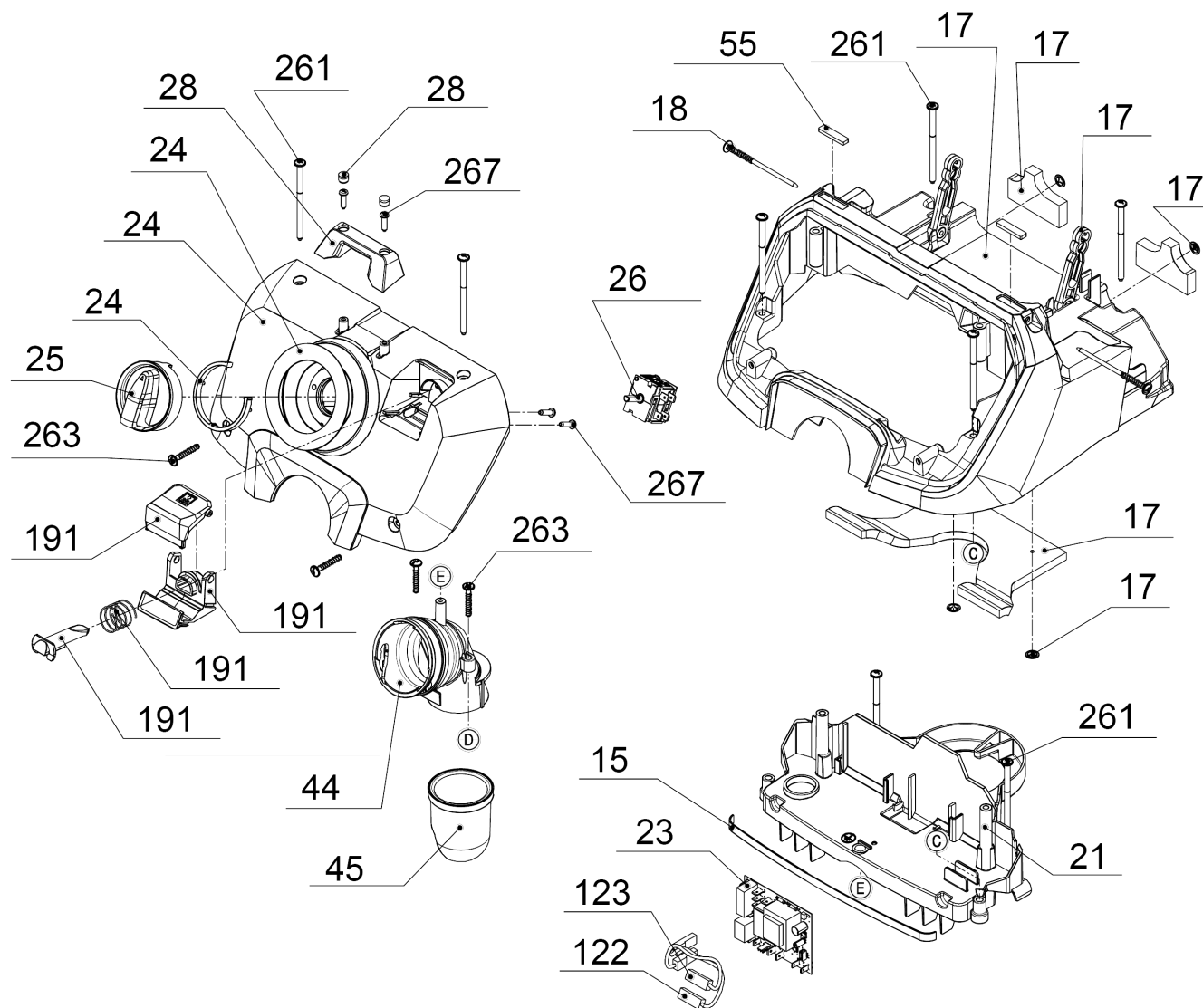


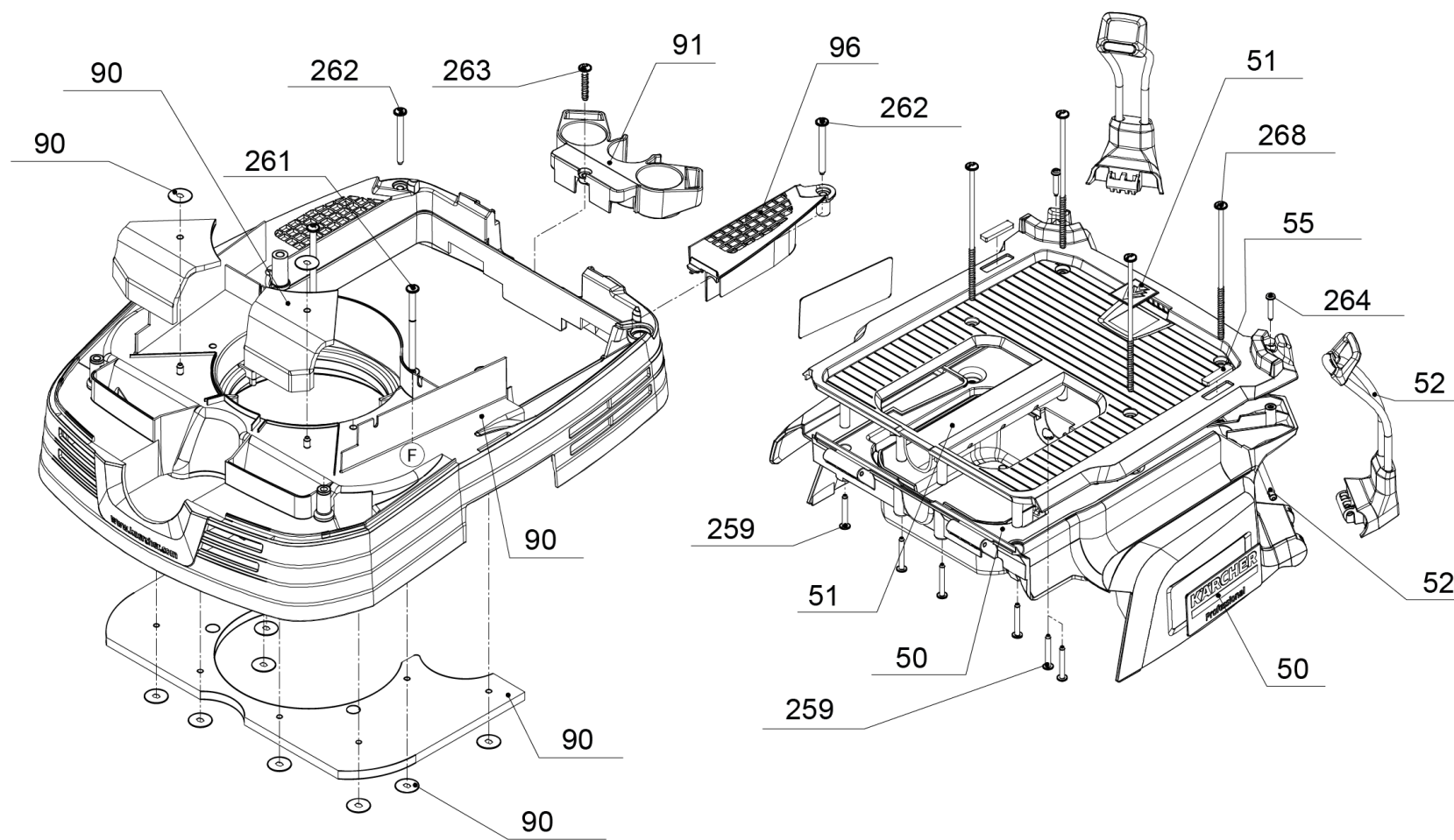
Spare parts list

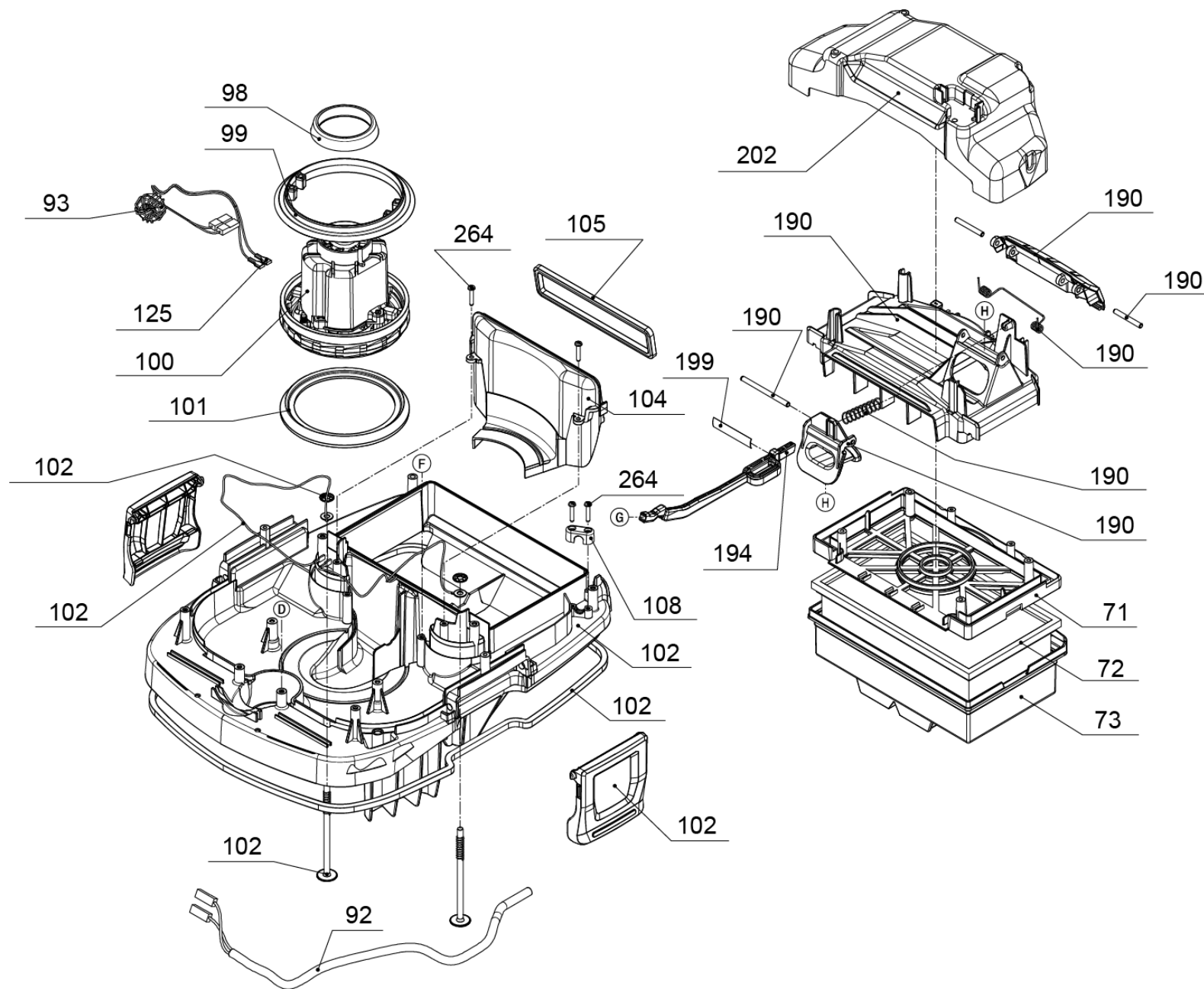
(1.148-221.0) NT 30/1 Ap L *EU

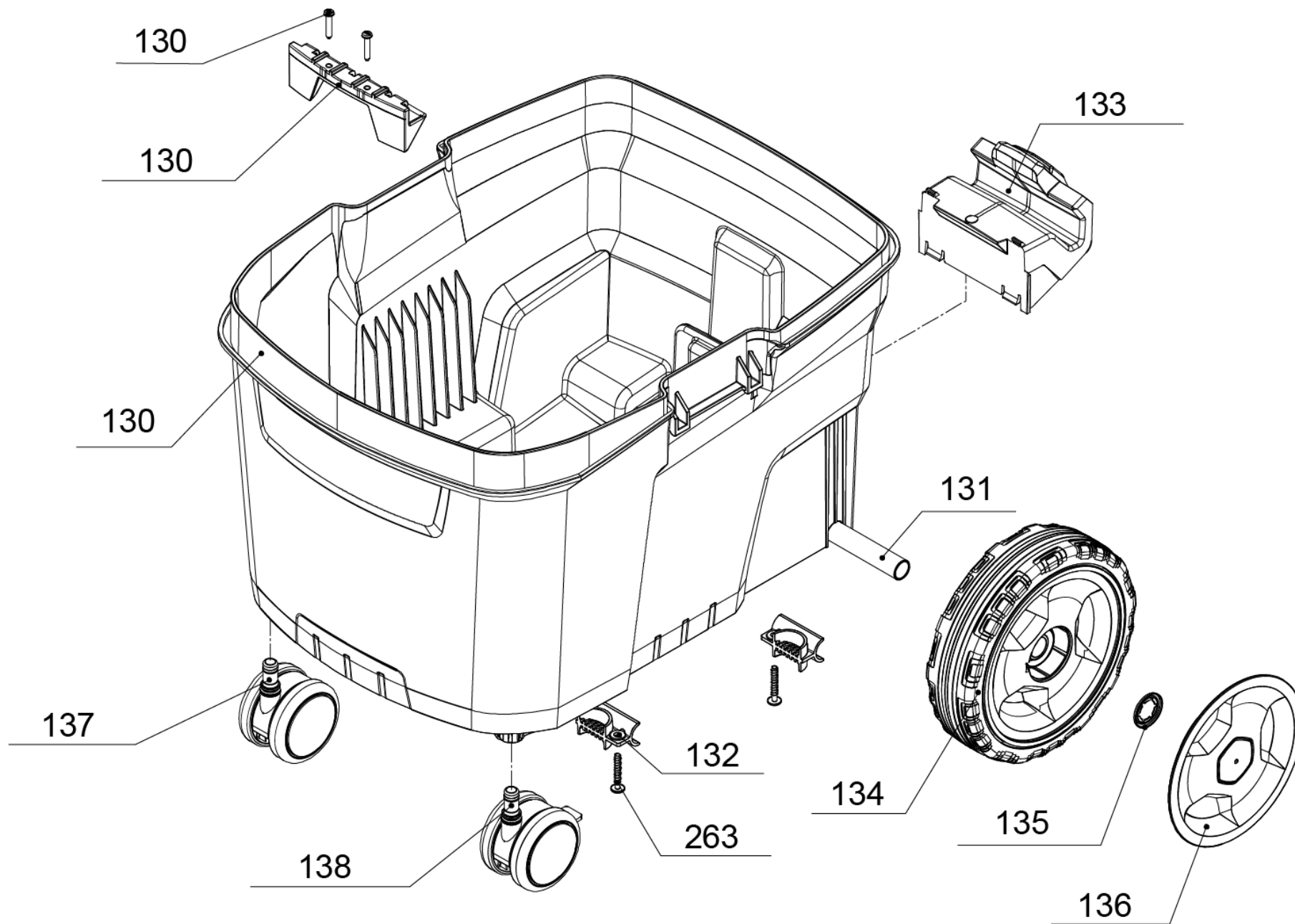
Table of contents

NT 30/1 Ap L *EU (1.148-221.0)	3
17 Cover set Ap (4.071-315.0)	9
70 Accessories	10
20 Hose packaged NW35 2.5m (2.889-134.0)	12
10 Suction hose complete NW35 2,5m	14
20 Repair set NW35 (2.889-149.0)	16
90 Housing air circulation set (4.070-395.0)	18
102 Housing base plate set (4.070-385.0)	19
130 Tank set NT 30/1 Ap (4.071-317.0)	21
190 Housing backwashing set (4.071-321.0)	23







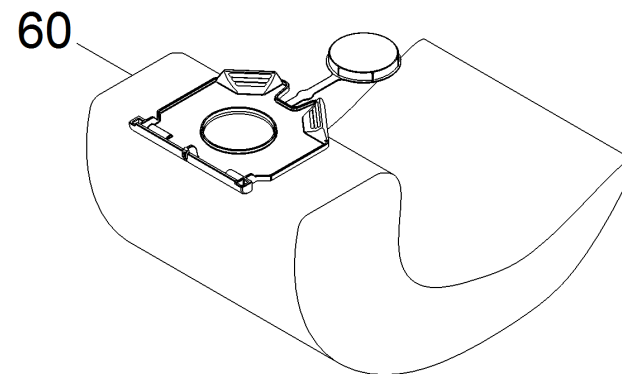
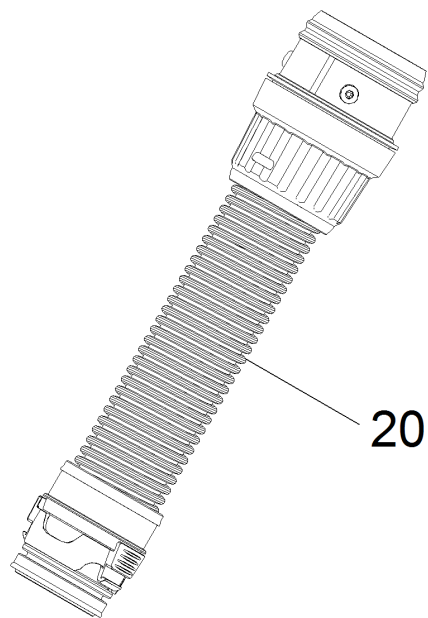
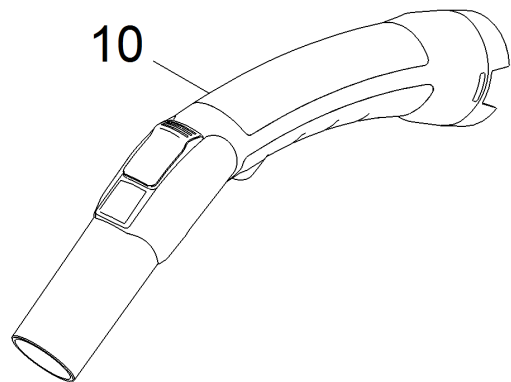
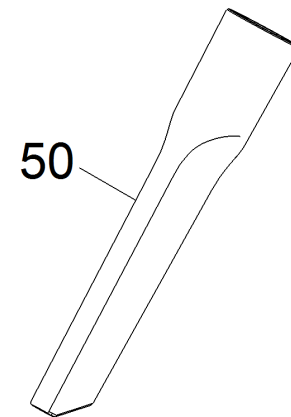
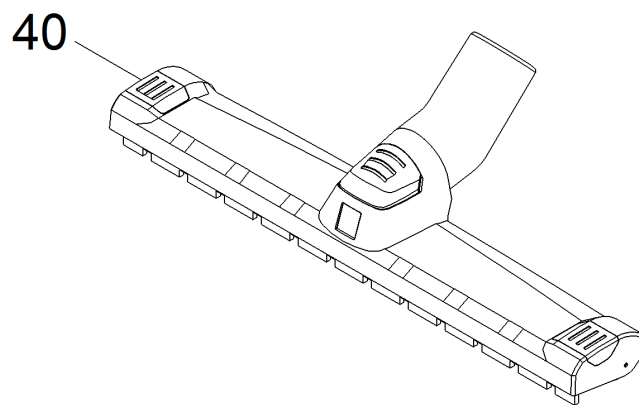
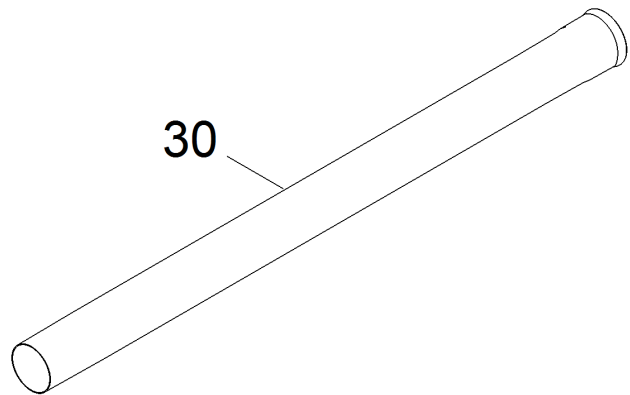


POS	Article no.	Description	Quantity	Unit
15	6.273-356.0	Sealing strip	1.000	ST
17	4.071-315.0	Cover set Ap	1.000	ST
18	5.107-004.0	Guide screw	2.000	ST
21	5.605-056.0	Housing air circulation above Ap	1.000	ST
23	4.071-327.0	Electronics control system replacement A	1.000	ST
24	4.071-316.0	Control panel set Ap	1.000	ST
25	5.744-001.0	Handle	1.000	ST
26	6.630-814.3	Rotary switch Ap	1.000	ST
28	4.070-345.0	Fixing case	1.000	ST
44	5.033-032.0	Suction nipple	1.000	ST
45	5.033-994.0	Suction nipple bottom	1.000	ST
50	4.071-022.0	Filter cover set NT Tact	1.000	ST
51	4.071-318.0	Filter cover top part set Ap	1.000	ST
52	4.071-086.0	Hose hook set	2.000	ST
55	4.070-360.0	Antislip rubber set	4.000	ST
70		Accessories	1.000	ST
71	5.064-056.3	Holder flat filter	1.000	ST
72	6.904-367.0	Flat filter only for replacement Kaerche	1.000	ST
73	5.064-055.0	Frame flat-pleated filter	1.000	ST
90	4.070-395.0	Housing air circulation set	1.000	ST
91	5.033-038.0	Holder accessories NW35	1.000	ST
92	6.650-866.3	Power cable 7,5m PVC *EU	1.000	ST
93	6.346-043.0	Ferrite ring	1.000	ST
96	5.605-058.0	Cover housing air circulation	1.000	ST
98	5.363-735.0	Seal vacuum motor above	1.000	ST
99	5.363-795.0	Seal vacuum motor center	1.000	ST
100	6.490-245.0	Vac motor 230V	1.000	ST
101	5.363-256.0	Seal bottom Domel	1.000	ST
102	4.070-385.0	Housing base plate set	1.000	ST
104	5.064-057.0	Air circulation	1.000	ST
105	5.363-187.0	Seal supply air	1.000	ST
108	5.031-381.0	Strain relief Ap	1.000	ST
122	6.650-670.0	Cable blue 1mm²x270mm	1.000	ST

POS	Article no.	Description	Quantity	Unit
123	6.650-671.0	Cable brown 1mm²x270mm	1.000	ST
125	6.650-667.0	Cable turbine	2.000	ST
130	4.071-317.0	Tank set NT 30/1 Ap	1.000	ST
131	5.105-025.0	Axle	1.000	ST
132	5.044-456.0	Holder axle	2.000	ST
133	5.044-442.0	Holder floor nozzle basaltgrau RAL 7012	1.000	ST
134	5.515-377.0	Wheel	2.000	ST
135	6.343-168.0	Lock washer	2.000	ST
136	5.515-386.0	Wheel cap large RAL 7012	2.000	ST
137	6.435-892.0	Double castor	1.000	ST
138	6.435-893.0	Double castor with parking brake	1.000	ST
190	4.071-321.0	Housing backwashing set	1.000	ST
191	4.071-322.0	Pushbutton set Ap	1.000	ST
194	5.107-320.0	Operating rod rear Ap	1.000	ST
199	5.332-120.0	Spring hinge	2.000	ST
202	5.605-023.0	Air circulation Ap	1.000	ST
220	5.392-837.0	Label L-label	1.000	ST
221	5.396-339.0	Label flat-pleated filter	1.000	ST
259	7.303-285.0	Screw 4x30 -10.9-R2R (K-In6Rd)	6.000	ST
261	7.303-171.0	Screw 5x80 -10.9-R2R (K-In6Rd)	10.000	ST
262	7.303-111.0	Screw 5x50 -10.9-R2R (K-In6Rd)	2.000	ST
263	7.303-086.0	Screw 5x30 -10.9-R2R (K-In6Rd)	7.000	ST
264	7.303-096.0	Screw 4x22 -ST-10.9-R2R (IN6RD)	8.000	ST
267	7.303-129.0	Screw 4x16 -10.9-R2R (K-In6Rd)	4.000	ST
268	7.303-323.0	Screw 5x130 -10.9-R2R (In6Rd)	4.000	ST

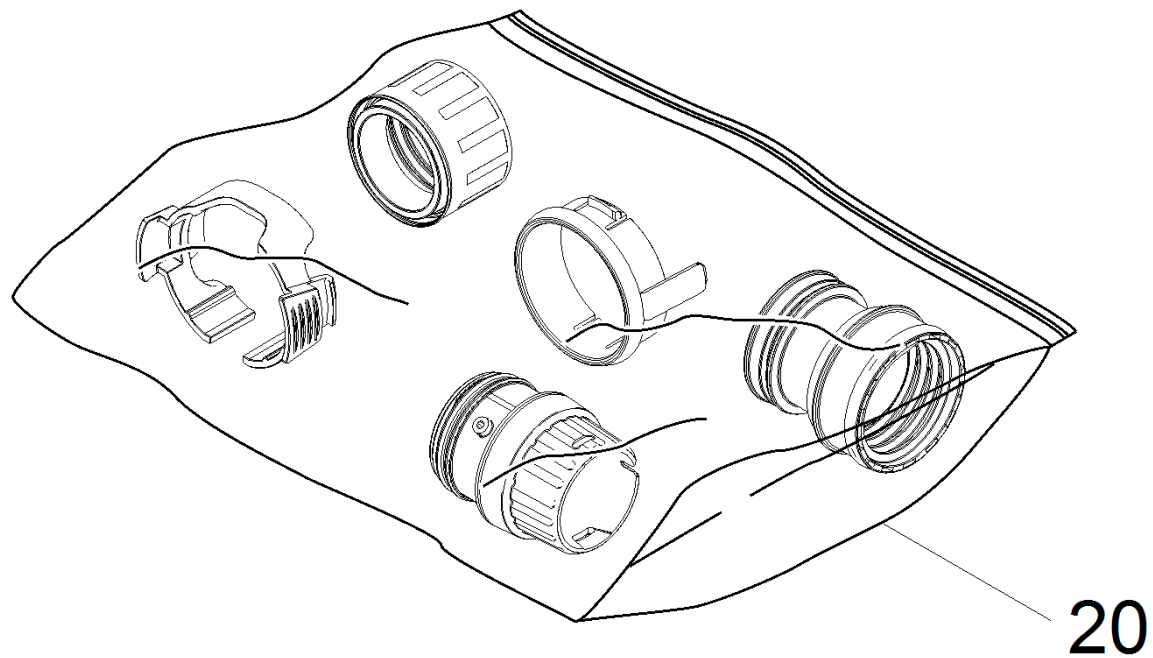
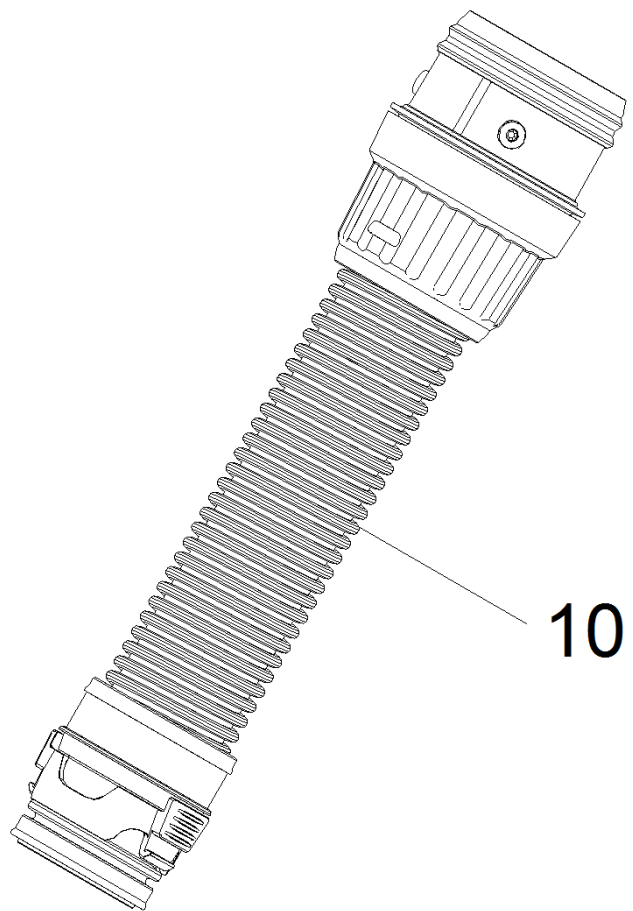
17 Cover set Ap (4.071-315.0)

POS	Article no.	Description	Quantity	Unit
1	6.343-145.0	Lock washer 5	4.000	ST



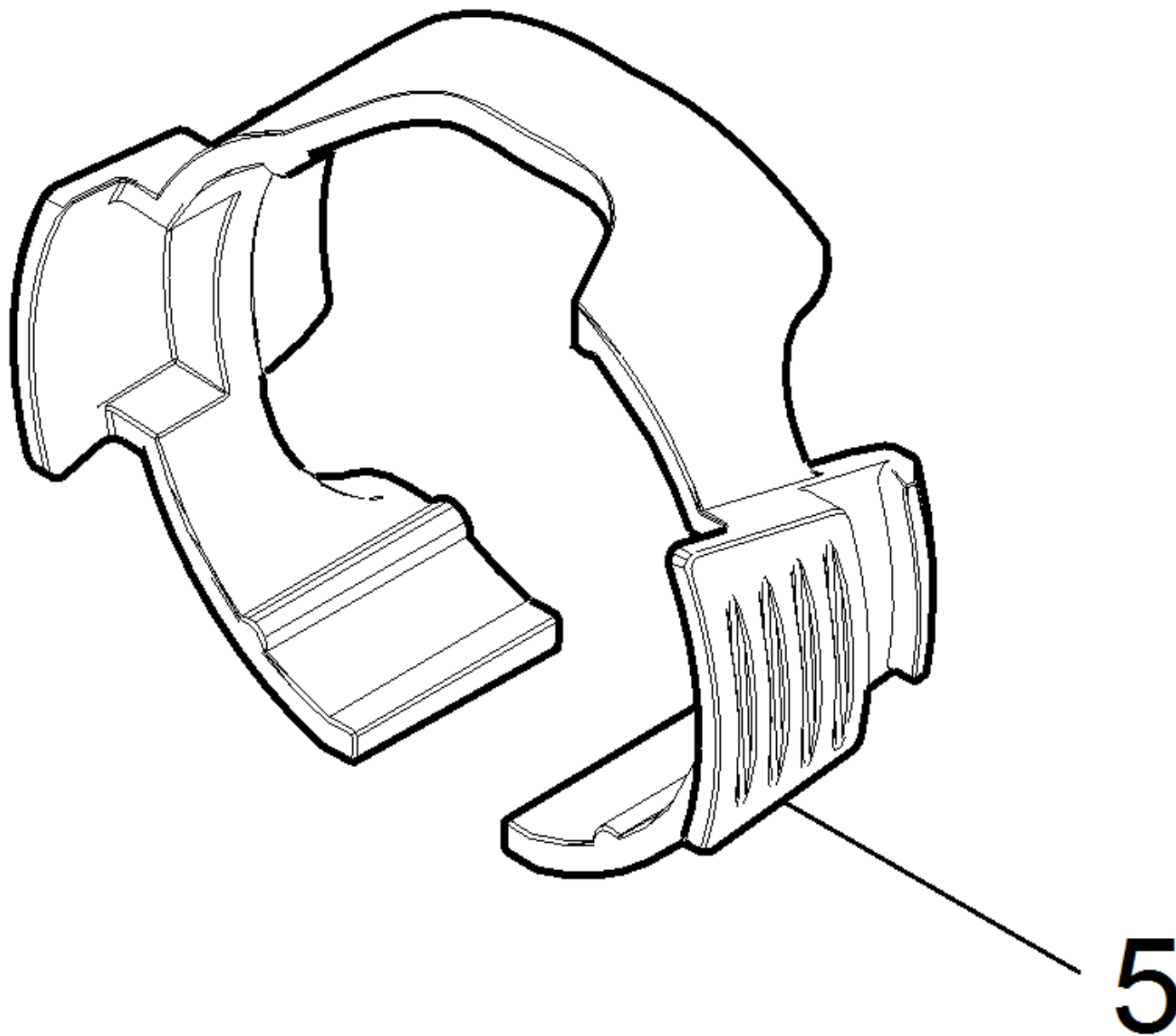
70 Accessories

POS	Article no.	Description	Quantity	Unit
10	2.889-170.0	Elbow packaged NW35 2K	1.000	ST
20	2.889-134.0	Hose packaged NW35 2.5m	1.000	ST
30	2.889-191.0	Set suction tube chromed NW35 550mm	1.000	ST
40	2.889-173.0	Floor tool anthracite packaged NW35	1.000	ST
50	2.889-159.0	Crevice nozzle wet and dry packaged NW35	1.000	ST
60	2.889-154.0	Filter bags-fleece 5 piece 30 Liter	1.000	ST



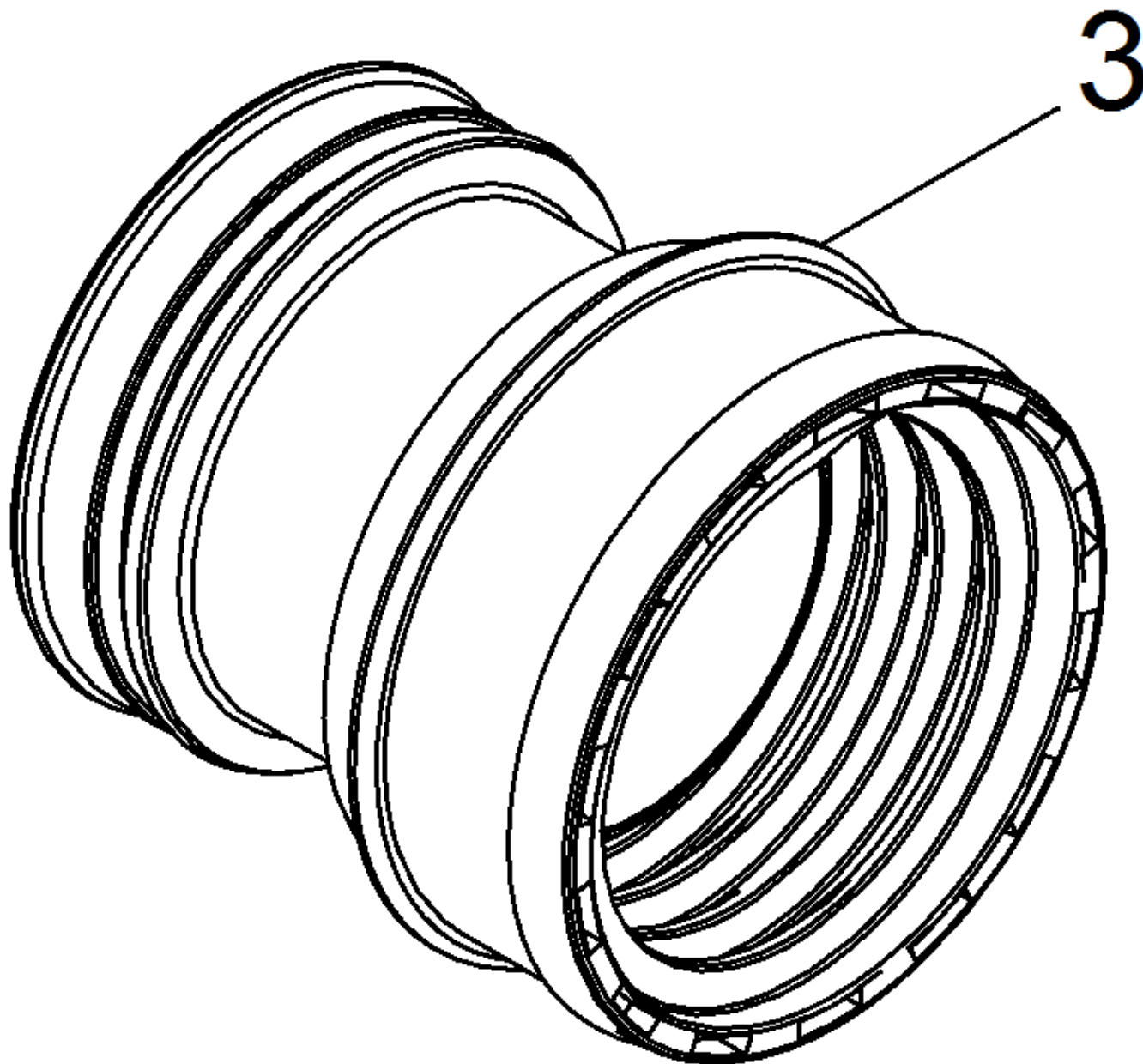
20 Hose packaged NW35 2.5m (2.889-134.0)

POS	Article no.	Description	Quantity	Unit
10		Suction hose complete NW35 2,5m	1.000	ST
20	2.889-149.0	Repair set NW35	1.000	ST



10 Suction hose complete NW35 2,5m

POS	Article no.	Description	Quantity	Unit
5	5.031-140.0	Tension ring NW35	1.000	ST

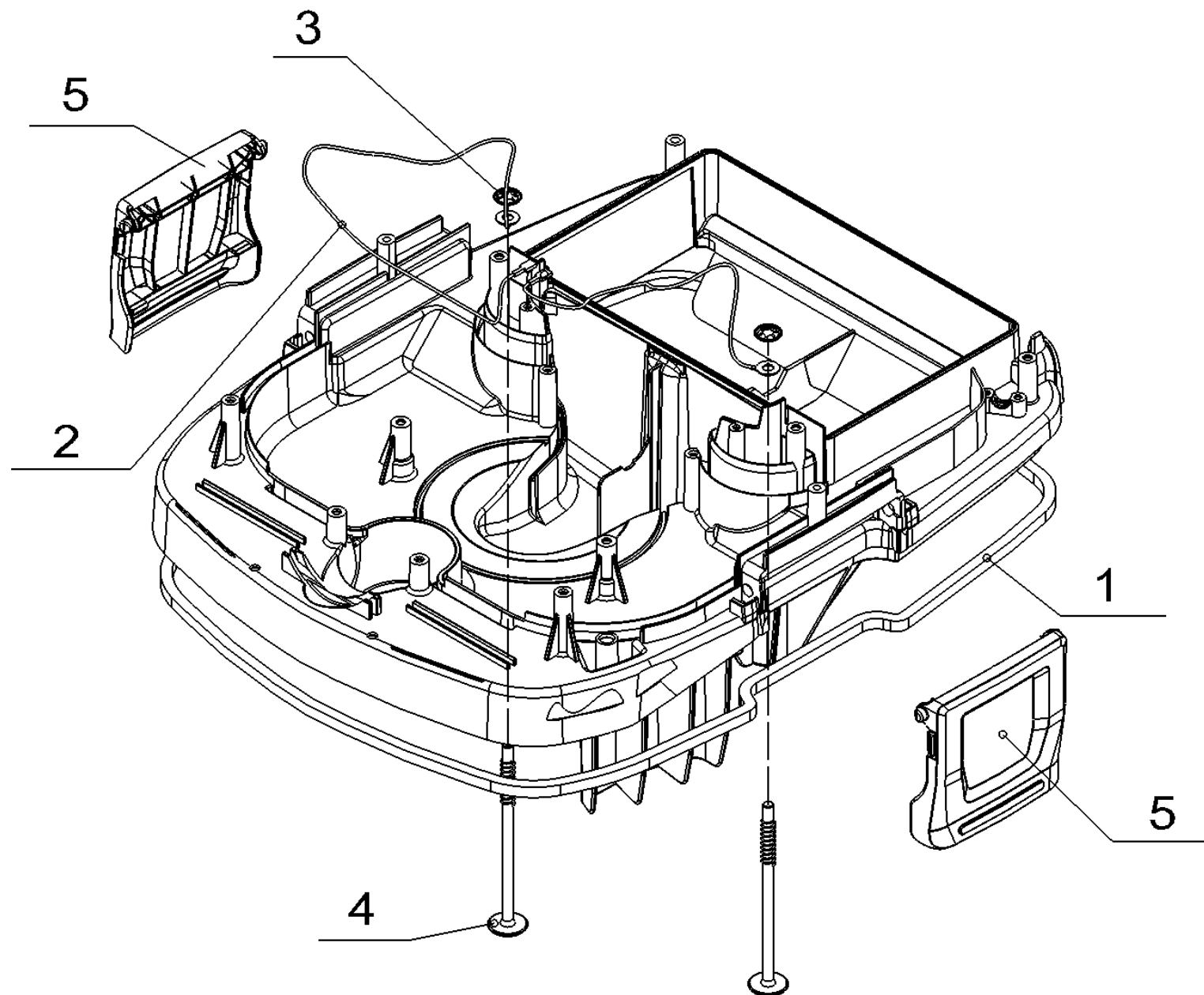


20 Repair set NW35 (2.889-149.0)

POS	Article no.	Description	Quantity	Unit
3	5.406-005.0	Threaded ring electrically conducting NW	1.000	ST

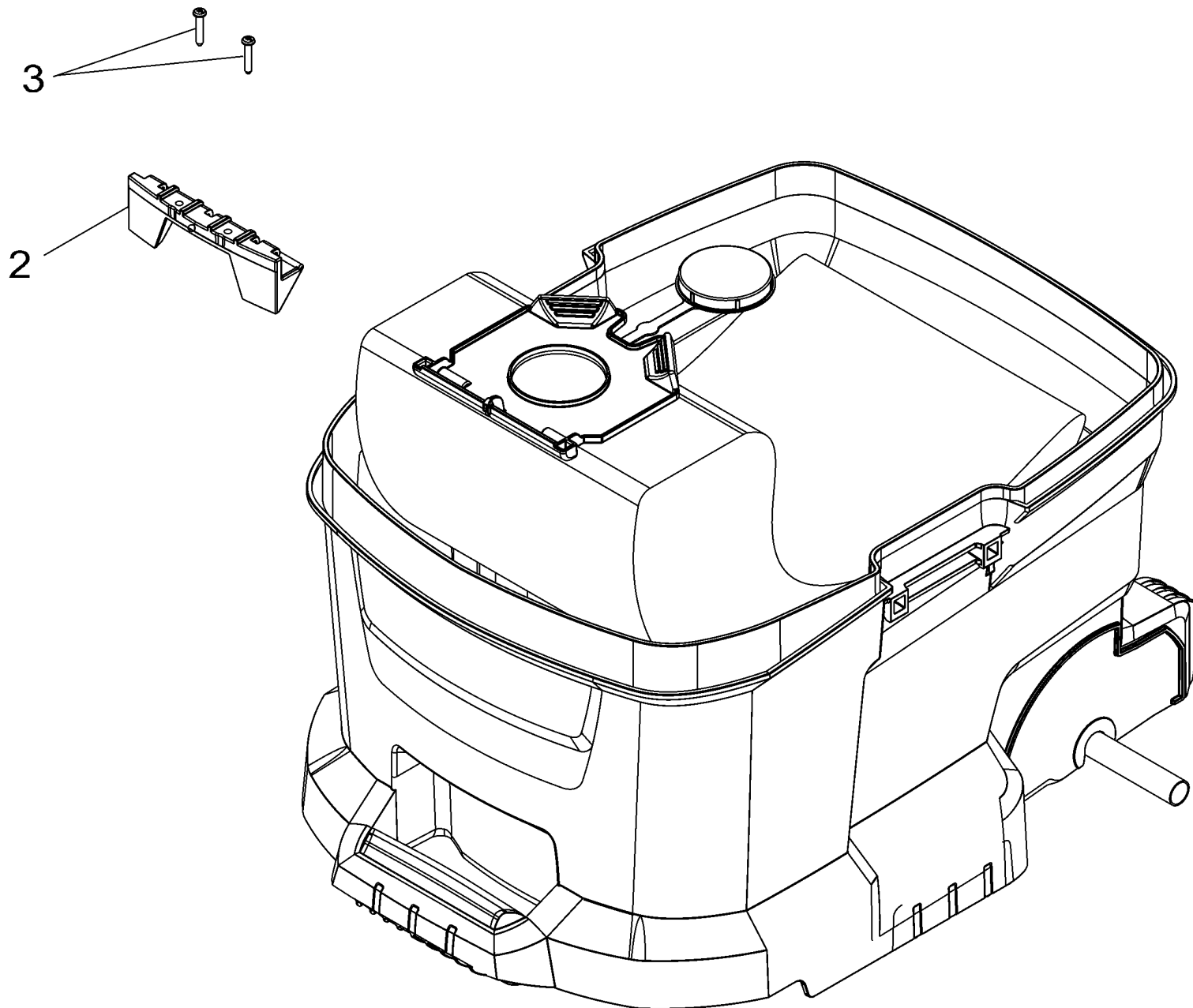
90 Housing air circulation set (4.070-395.0)

POS	Article no.	Description	Quantity	Unit
1	6.343-145.0	Lock washer 5	8.000	ST



102 Housing base plate set (4.070-385.0)

POS	Article no.	Description	Quantity	Unit
1	6.273-018.3	Seal string housing base plate	1.000	ST
2	6.650-666.0	Cable probe light blue 0,5mm ² x490mm	2.000	ST
3	6.343-119.0	Lock washer	2.000	ST
4	5.107-002.0	Probe	2.000	ST
5	5.033-034.0	Locking clip	2.000	ST



130 Tank set NT 30/1 Ap (4.071-317.0)

POS	Article no.	Description	Quantity	Unit
2	5.064-099.0	Retainer flange filter bag	1.000	ST
3	7.303-096.0	Screw 4x22 -ST-10.9-R2R (IN6RD)	2.000	ST

190 Housing backwashing set (4.071-321.0)

POS	Article no.	Description	Quantity	Unit
1	5.322-157.0	Filter cover closure	1.000	ST
2	5.317-231.0	Bolt hook	2.000	ST
3	5.333-221.0	Spring	1.000	ST
4	5.031-355.0	Flap Ap	1.000	ST