

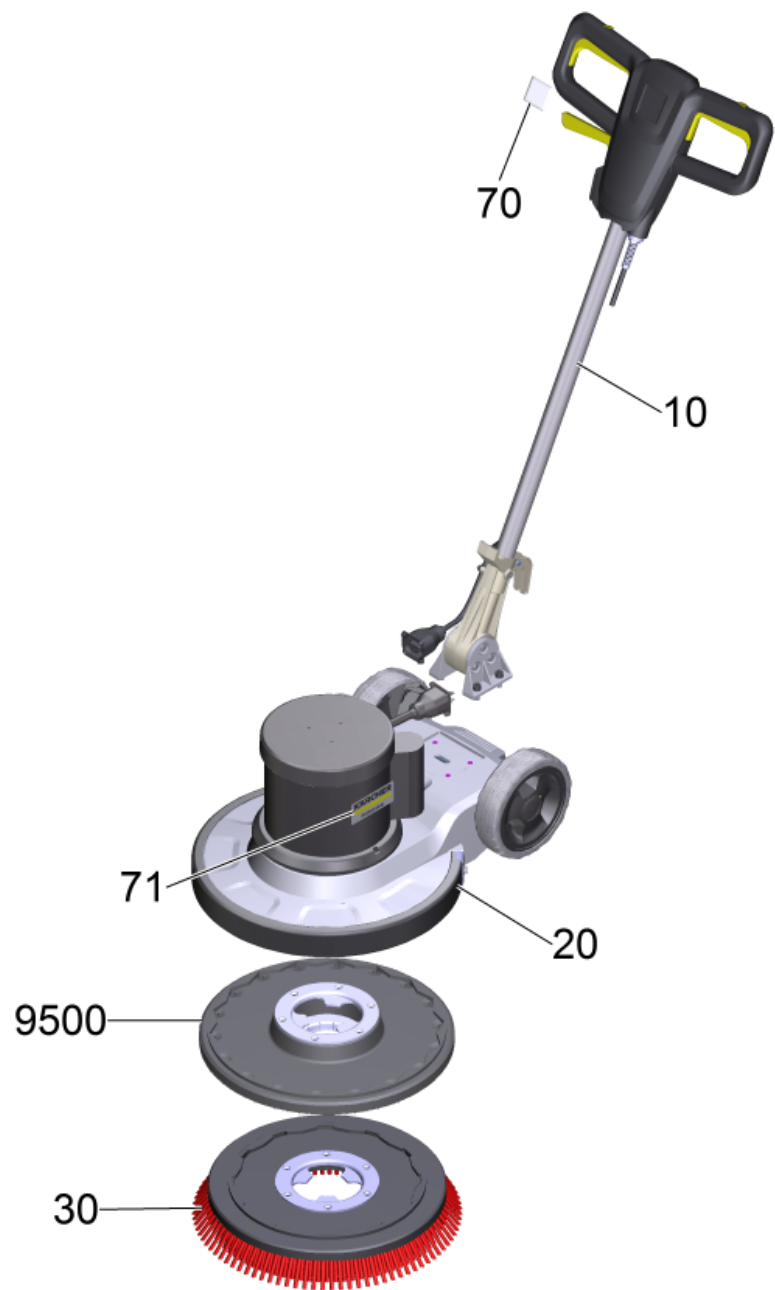
## **Spare parts list**

(1.291-243.0) BDS 43/150 C Classic \*EU

## Table of contents

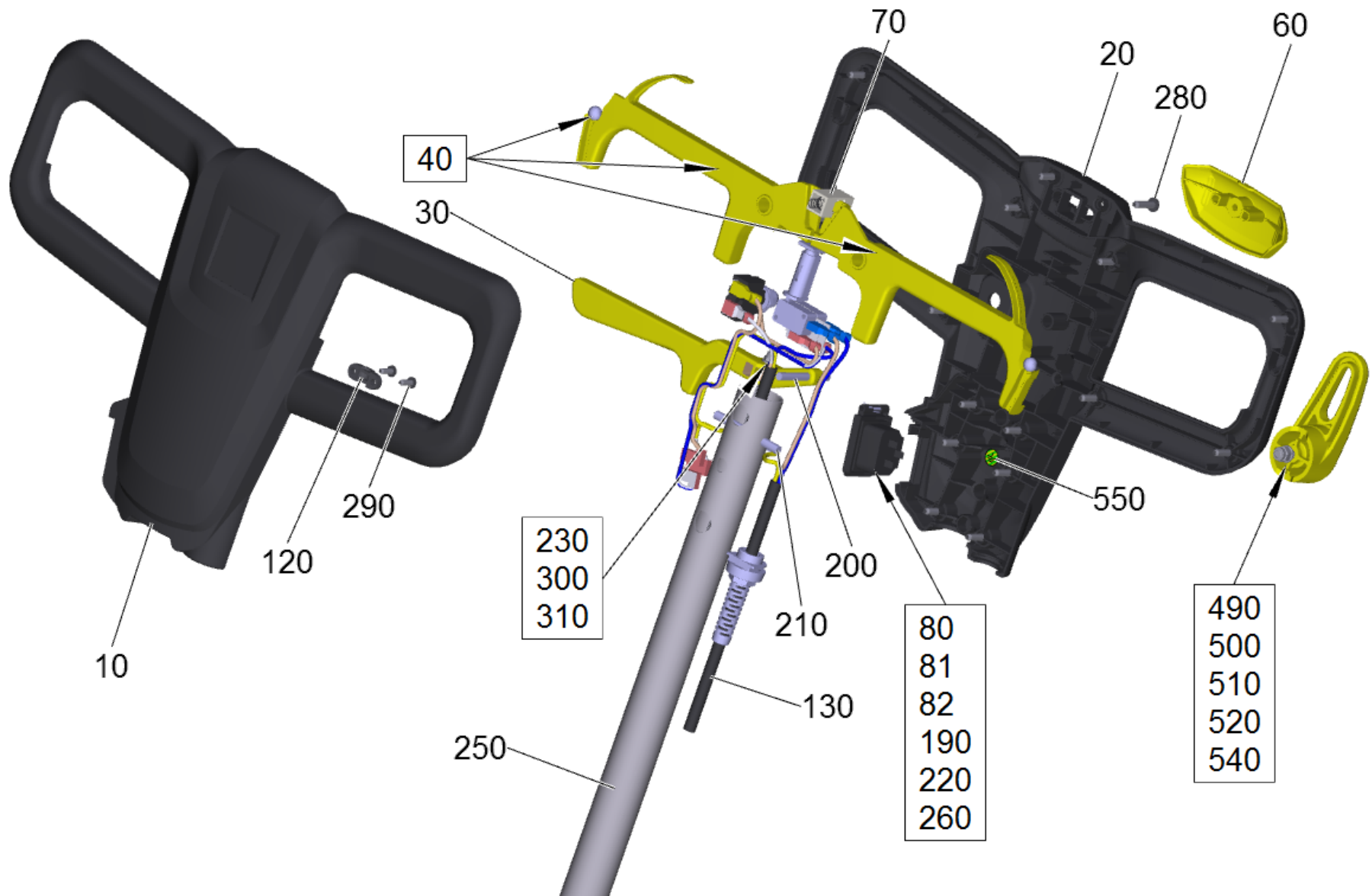
---

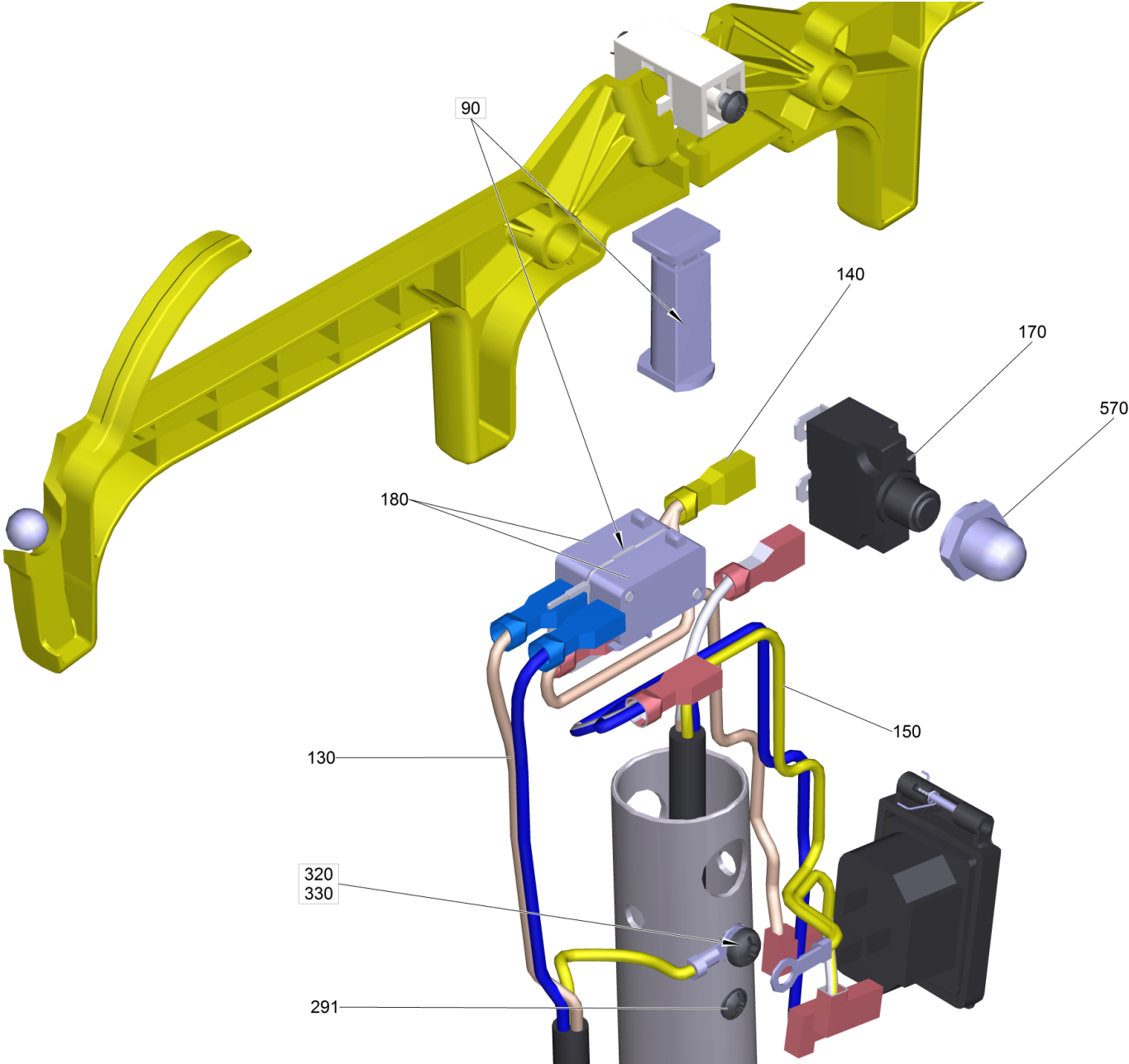
BDS 43/150 C Classic *EU (1.291-243.0)	3
10 Operating unit complete BDS 43/150 C EU	5
40 Set lever only for replacement (4.071-082.0)	10
20 Brush deck complete	12
20 Motor 1.5Hp 220-240v 50Hz (9.763-321.0)	14
9501 Tank complete BDS43/150C (9.753-058.0)	16

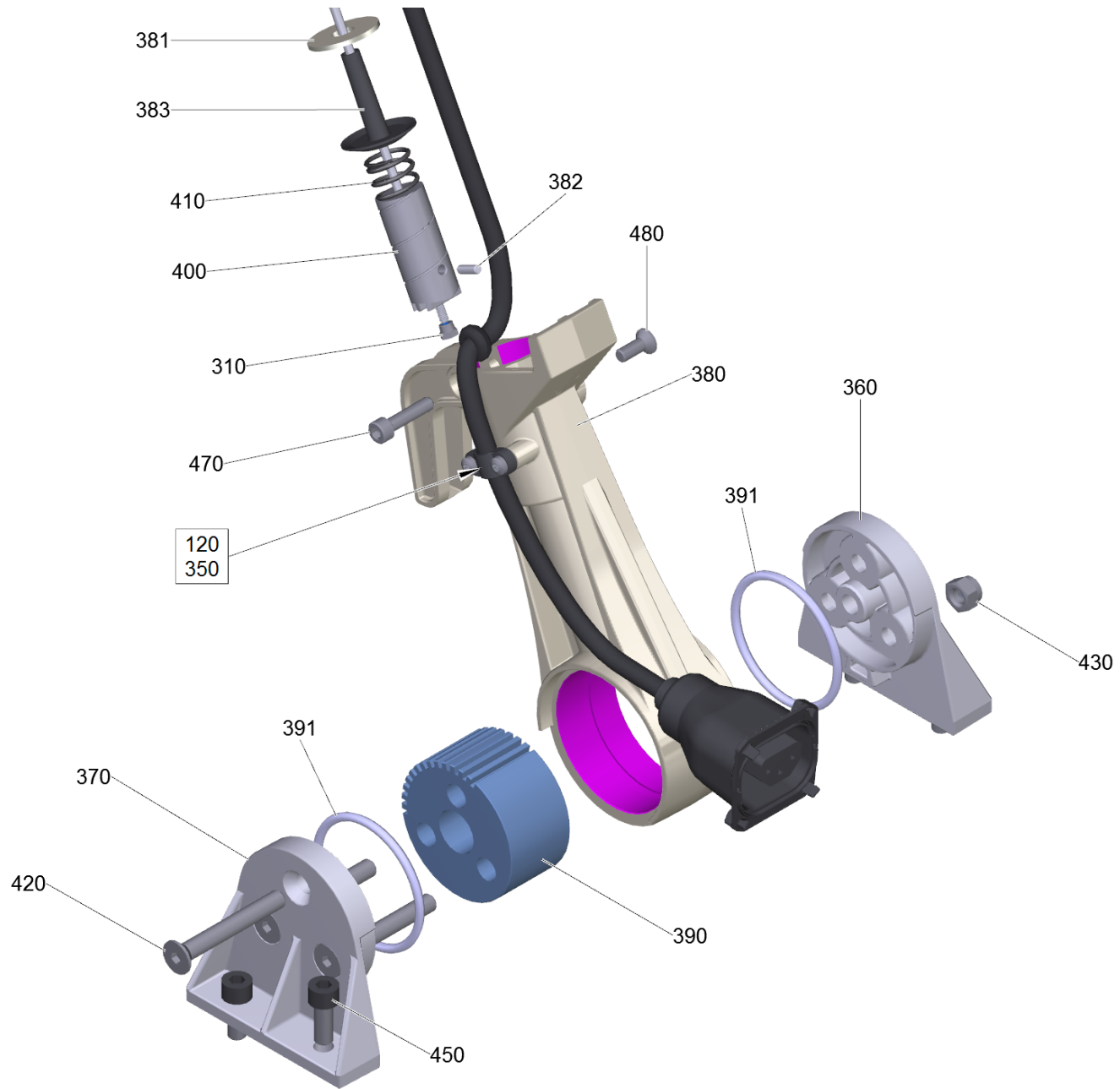


BDS 43/150 C Classic \*EU (1.291-243.0)

POS	Article no.	Description	Quantity	Unit
10		Operating unit complete BDS 43/150 C EU	1	PC
20		Brush deck complete	1	PC
70	5.396-378.0	Label signet L 42x46.6	1	PC
71	5.396-379.0	Label logo Professional L 95x40.3	2	PC
9500	6.369-899.0	Disk LOW SPEED 420	1	PC
9501	9.753-058.0	Tank complete BDS43/150C	1	PC
30	9.753-222.0	Brush complete red D43	1	PC







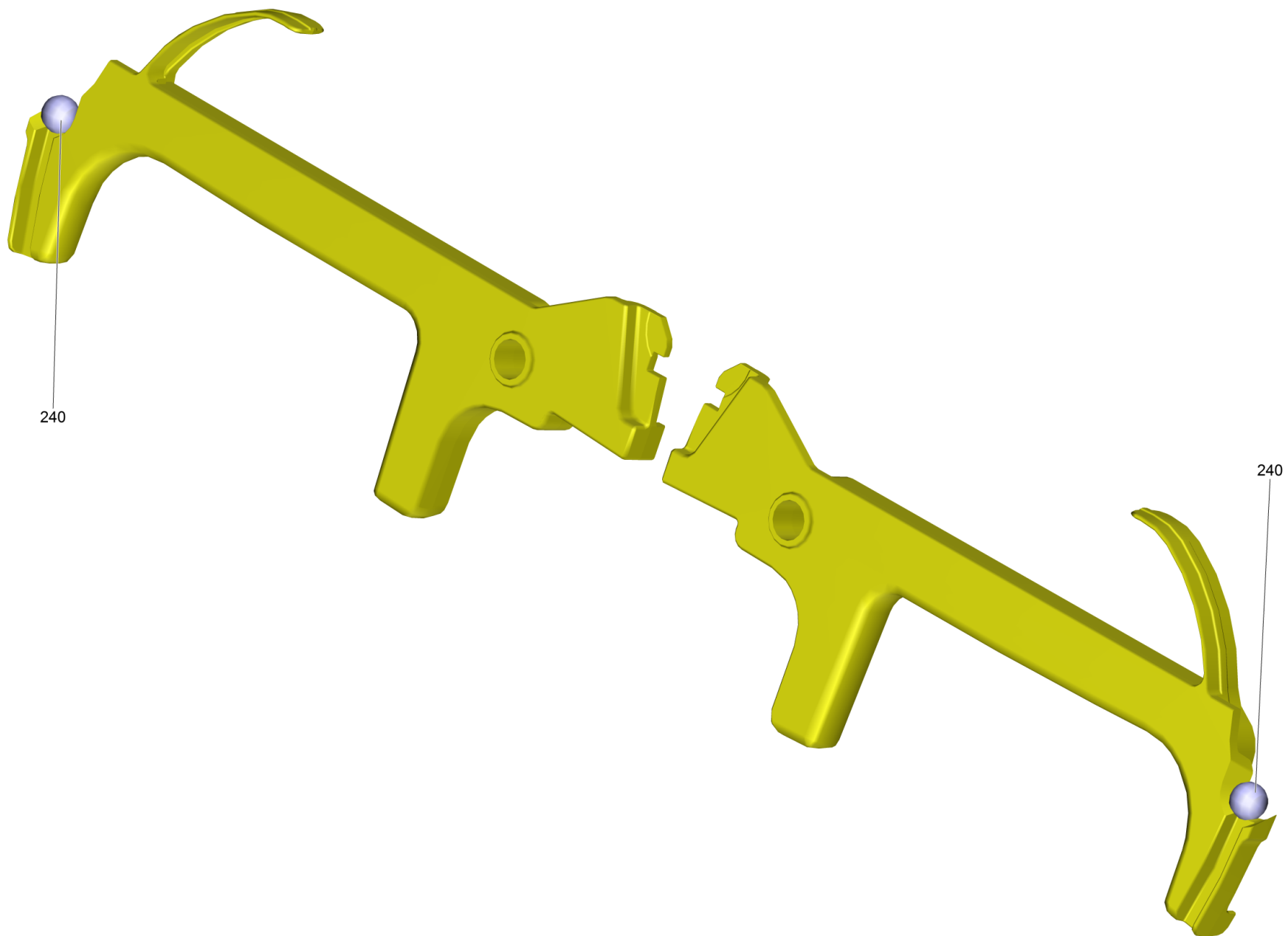
## 10 Operating unit complete BDS 43/150 C EU

POS	Article no.	Description	Quantity	Unit
70	4.071-046.0	Set lever only for replacement	1	PC
90	4.071-047.0	Set switch only for replacement	1	PC
40	4.071-082.0	Set lever only for replacement	1	PC
180	6.630-426.0	Main switch	2	PC
550	6.643-145.0	Label earthing	1	PC
190	6.686-527.0	Coupler socket handhold	1	PC
350	7.303-032.0	Screw M4x12 -St-R2R (In6Rd)	2	PC
320	7.303-037.0	Screw M5x10 -St-P2R (In6Rd)	1	PC
290	7.303-106.0	Screw 4x12 -10.9-R2R (IN6RD)	1	PC
280	7.303-108.0	Screw 5x20 -10.9-R2R (In6Rd)	16	PC
291	7.303-205.0	Screw 4x16-St-10.9-R2R (In6Rd)	3	PC
480	7.305-103.0	Countersunk screw M6x16 -8.8-A2E ISO 10	1	PC
420	7.305-116.0	Countersunk screw M8x60 -A2-70 ISO 10642	3	PC
450	7.306-144.0	Cylinder head screw M 8x20-A2-70 ISO 47	4	PC
470	7.306-196.0	Screw M 6x30-A2-70 (IN6RD)	1	PC
490	7.306-360.0	Screw M6x30 -8.8-ZNSHL ISO 4762	1	PC
310	7.311-424.0	Hexagon nut M4 -8-A2E ISO 7040	2	PC
430	7.311-510.0	Hexagon nut M 8-8-A2E ISO 7040	3	PC
500	7.311-512.0	Hexagon nut M 6-8-A2E ISO 7040	2	PC
300	7.312-002.0	Washer 5-200HV-A3E ISO 7089	1	PC
540	7.312-003.0	Washer 6 -200HV-A3E ISO 7089	1	PC
330	7.312-172.0	Toothed lock washer A5,3-FSt-A3E DIN 6797	1	PC
150	9.753-068.0	Cable complete BDS inside	1	PC
30	9.763-227.0	Lever adjustment	1	PC
120	9.763-234.0	Cable clip	1	PC
170	9.763-239.0	Safety switch motor	1	PC
200	9.763-240.0	Pin D6 x 53	1	PC
210	9.763-241.0	Pin D6,5 x 60	1	PC
230	9.763-243.0	Bar with threaded	1	PC
250	9.763-244.0	Tube hand grip	1	PC
360	9.763-249.0	Retainer axle left	1	PC
380	9.763-250.0	Articulated arm	1	PC
390	9.763-251.0	Gear wheel	1	PC



## 10 Operating unit complete BDS 43/150 C EU

POS	Article no.	Description	Quantity	Unit
400	9.763-252.0	Bolt toothing	1	PC
410	9.763-253.0	Extension spring	1	PC
10	9.763-254.0	Handle shell bottom	1	PC
20	9.763-256.0	Handle shell cover	1	PC
80	9.763-258.0	Clamp plate	1	PC
60	9.763-260.0	Head lever releasing device	1	PC
370	9.763-262.0	Retainer axle right	1	PC
81	9.763-263.0	Cover socket c14	1	PC
510	9.763-265.0	Spring hook	1	PC
520	9.763-267.0	Hook cable	1	PC
381	9.763-268.0	Washer	1	PC
382	9.763-269.0	Pin D4 x 12	1	PC
130	9.763-271.0	Cable with plug *EU	1	PC
82	9.763-273.0	Seal socket c14	1	PC
260	9.763-282.0	Spring socket cover	1	PC
240	9.763-303.0	Sphere PP D10	2	PC
570	9.763-313.0	Rubber cap for protecting switch	1	PC
140	9.763-329.0	Cable harness for protecting switch KAP	1	PC
220	9.763-332.0	Pin D2 x 20.8	1	PC
383	9.763-386.0	Seal turbine strainer	1	PC
391	9.763-585.0	Gear sealing	2	PC

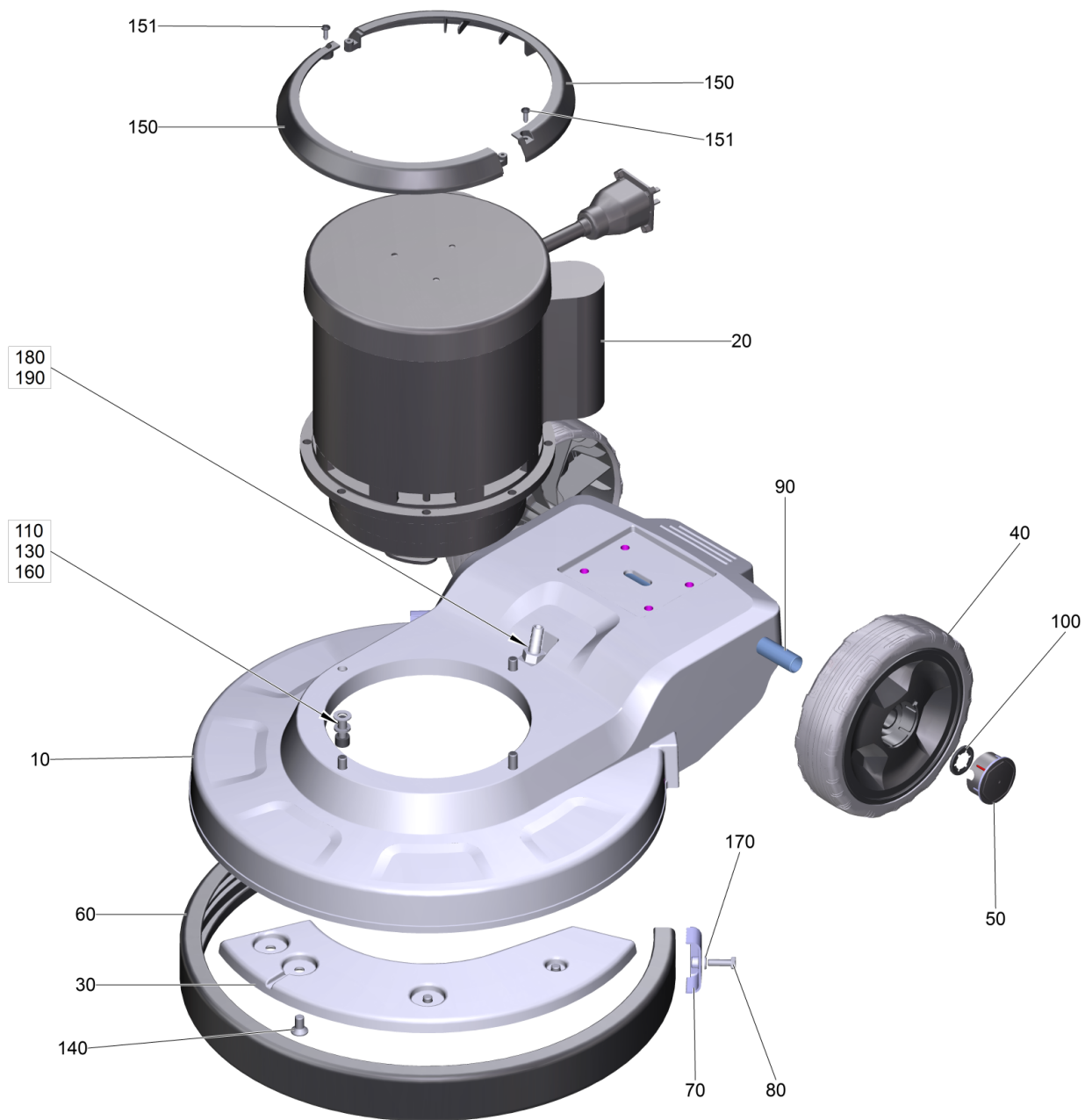


40 Set lever only for replacement (4.071-082.0)

---

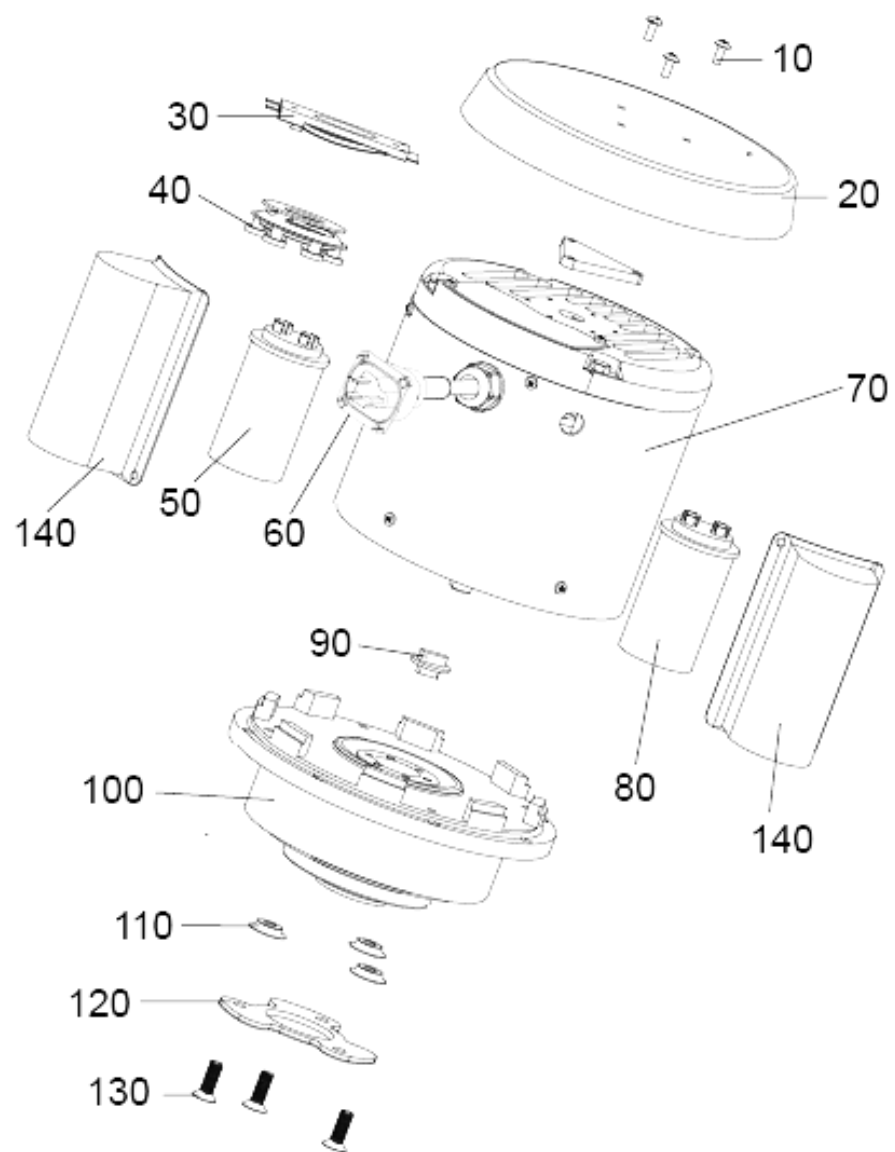
<b>POS</b>	<b>Article no.</b>	<b>Description</b>	<b>Quantity</b>	<b>Unit</b>
240	9.763-303.0	Sphere PP D10	2	PC

---



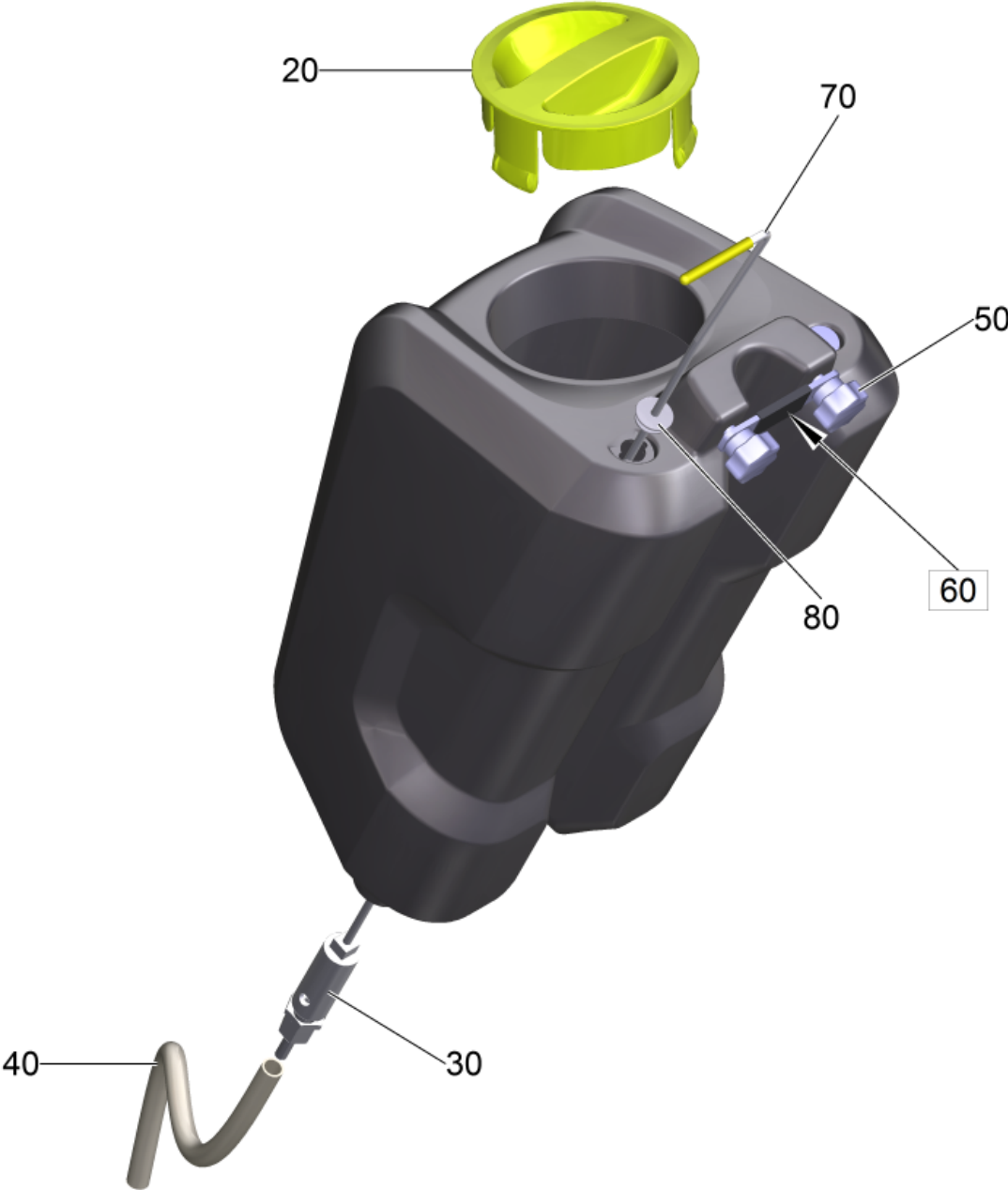
## 20 Brush deck complete

POS	Article no.	Description	Quantity	Unit
60	5.181-101.0	Ram protection BDS 430	1	PC
151	7.303-106.0	Screw 4x12 -10.9-R2R (IN6RD)	2	PC
80	7.304-536.0	Hexagonal head screw M 6x20-A4-70 ISO 4	2	PC
140	7.305-637.0	Countersunk screw M8x16 -A2-70 ISO 10642	4	PC
160	7.306-144.0	Cylinder head screw M 8x20-A2-70 ISO 47	4	PC
170	7.312-003.0	Washer 6 -200HV-A3E ISO 7089	2	PC
110	7.312-004.0	Washer 8 -200HV-A3E ISO 7089	4	PC
130	7.313-015.0	Spring washer B 8-1.4310 DIN 127	4	PC
100	9.761-044.0	Lock washer 6.343-168.0	2	PC
10	9.763-223.0	Brush deck BDS 43/150 Classic *CN	1	PC
90	9.763-248.0	Axle	1	PC
30	9.763-264.0	Weight	1	PC
150	9.763-270.0	Guard ring motor IPX4	2	PC
40	9.763-272.0	Wheel D180	2	PC
70	9.763-275.0	Fixing ram protection	2	PC
180	9.763-297.0	Nut M13x6.5	1	PC
190	9.763-298.0	Hose connector M13x52	1	PC
20	9.763-321.0	Motor 1.5Hp 220-240v 50Hz	1	PC
50	9.763-331.0	Wheel D 180 cap	2	PC



20 Motor 1.5Hp 220-240v 50Hz (9.763-321.0)

POS	Article no.	Description	Quantity	Unit
20	6.070-034.0	Motor covering cap for replacement	1	PC
30	6.070-035.0	Holder for replacement	1	PC
40	6.070-036.0	Switch for replacement	1	PC
50	6.070-037.0	Capacitor for replacement 30µF	1	PC
60	6.070-038.0	Motor cable for replacement	1	PC
70	6.070-039.0	Anchor for replacement 220V 50Hz	1	PC
80	6.070-040.0	Capacitor for replacement 250µF	1	PC
90	6.070-041.0	Coupler for replacement	1	PC
100	6.070-042.0	Gear for replacement	1	PC
120	6.070-045.0	Carrier brush BDS	1	PC
10	6.070-046.0	Screw only for replacement	3	PC
110	6.070-047.0	Washer only for replacement	3	PC
130	7.305-627.0	Countersunk screw M8x25 -A2-70 ISO 10642	3	PC
140	9.763-669.0	Motor capacitor cover	2	PC





9501 Tank complete BDS43/150C (9.753-058.0)

---

<b>POS</b>	<b>Article no.</b>	<b>Description</b>	<b>Quantity</b>	<b>Unit</b>
30	6.070-043.0	Valve for replacement	1	PC
40	6.070-044.0	Hose for replacement	1	PC
50	9.763-387.0	Screw Star for replacement	1	PC
60	9.763-388.0	Retainer plate for replacement	1	PC
70	9.763-389.0	Handle valve for replacement	1	PC
80	9.763-390.0	Seal handle for replacement	1	PC
20	9.763-925.0	Cover fresh water metering RM	1	PC