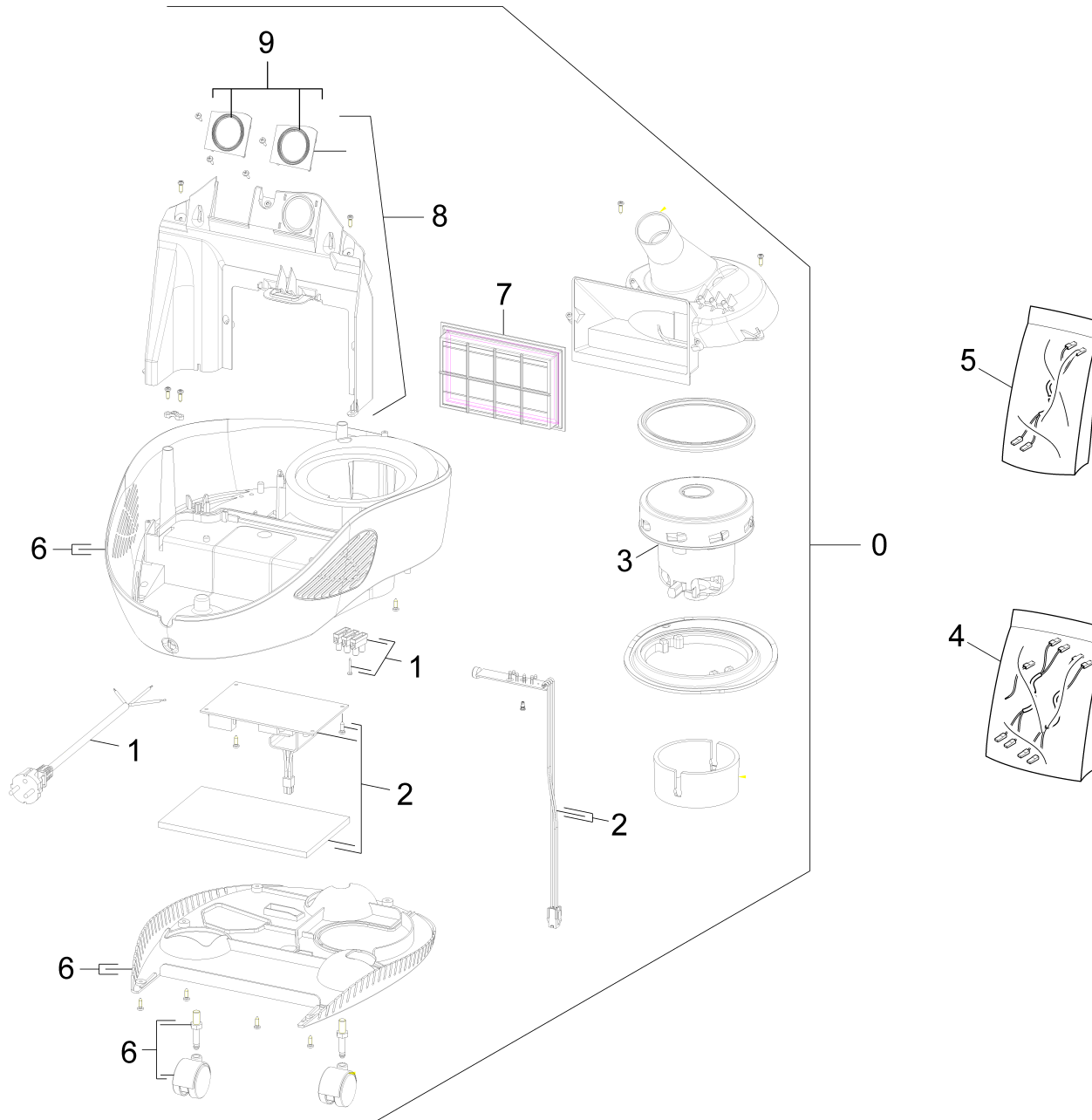


12 Bottom part

Home and Garden \ Steamer \ SV 1902 *CH \ Spare parts list SV 1902 \ Individual parts \ Bottom part



12 Bottom part

Home and Garden \ Steamer \ SV 1902 *CH \ Spare parts list SV 1902 \ Individual parts \ Bottom part

KÄRCHER

| POS | Preces Nr. | Apraksts | Skaitis | Vienība | Sērijas numurs no | Sērijas numurs līdz | Piezīme |
|-----|-------------|--|---------|---------|-------------------|---------------------|---------|
| 5 | 6.402-016.0 | cable set | 1.000 | ST | 0000000000 | 0000000000 | |
| 4 | 6.402-020.0 | Cable set only for replacement SV 1902 | 1.000 | ST | 0000000000 | 0000000000 | |
| 1 | 6.402-009.0 | Cable with plug | 1.000 | ST | 0000000000 | 0000000000 | *EU |
| 1 | | Cable with plug *CH | 1.000 | ST | | | *CH |
| 1 | 6.402-062.0 | Cable with plug *GB | 1.000 | ST | | | *GB |
| 2 | 6.402-021.0 | Elektronika, pilns kpl. - tikai nomaiņai | 1.000 | ST | 0000000000 | 0000000000 | |
| 7 | 2.860-229.0 | Filter/ Hepa SV 1802/1902 | 1.000 | ST | 0000000000 | 0000000000 | |
| 8 | 6.402-078.0 | Filter frame complete replacement SV | 1.000 | ST | | | |
| 6 | 6.402-028.0 | Housing bottom part m.Lenkrollen | 1.000 | ST | 0000000000 | 0000000000 | |
| 0 | 6.402-019.0 | Housing bottom part only for replacement | 1.000 | ST | 0000000000 | 0000000000 | |
| 9 | 6.402-090.0 | Seal bracket replacement SV | 1.000 | ST | | | |
| 3 | 6.402-011.0 | Turbīna SV 1802/1902 | 1.000 | ST | 0000000000 | 0000000000 | |