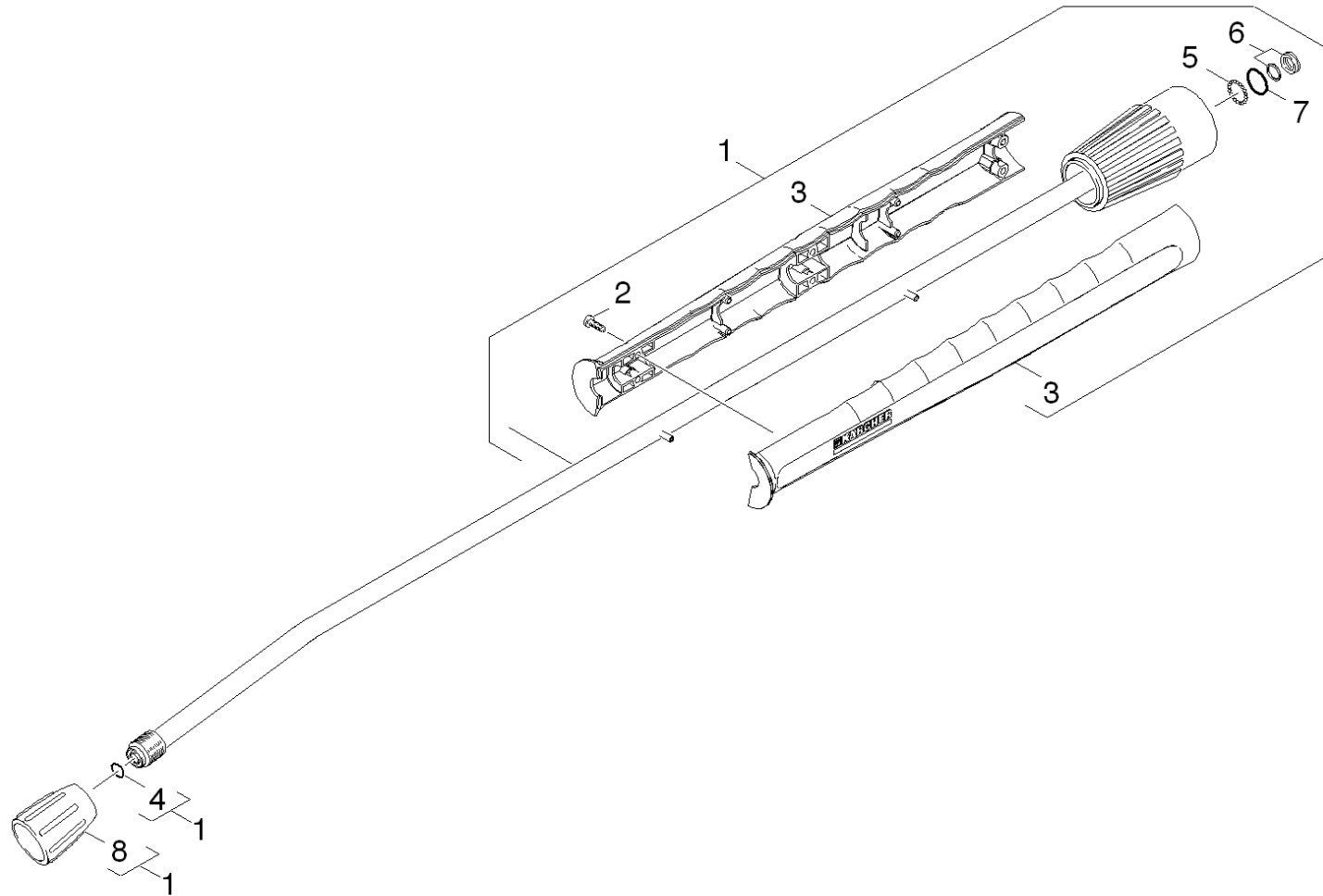


43 Jet pipe

Professional \ High pressure cleaner cold water \ Electric motor \ HD 10/21-4 Cage *EU-I \ Spare parts list HD 10/21 Cage \ Accessories \ Jet pipe



43 Jet pipe

Professional \ High pressure cleaner cold water \ Electric motor \ HD 10/21-4 Cage *EU-I \ Spare parts list HD 10/21 Cage \ Accessories \ Jet pipe

KÄRCHER

POS	Article no.	Description	Quantity	Unit
1	4.760-664.0	Jet pipe packaged only for replacement	1.000	ST
2	7.303-129.0	Screw 4x16 -10.9-R2R (K-In6Rd)	6.000	ST
3	5.321-855.0	Handhold few jet pipe with welding bolt	1.000	ST
4	2.880-990.0	Spare part set O-Ring 5x -Kaercher	1.000	ST
5	7.401-915.0	Sphere 2,5 G40 -1.4034 DIN 5401	1.000	ST
6	4.363-692.0	Grooved ring kpl. -nur fuer Ersatz-	1.000	ST
7	6.362-524.0	O-Ring seal 17,0 X 1,5	1.000	ST
8	5.401-129.0	Screw connector part	1.000	ST