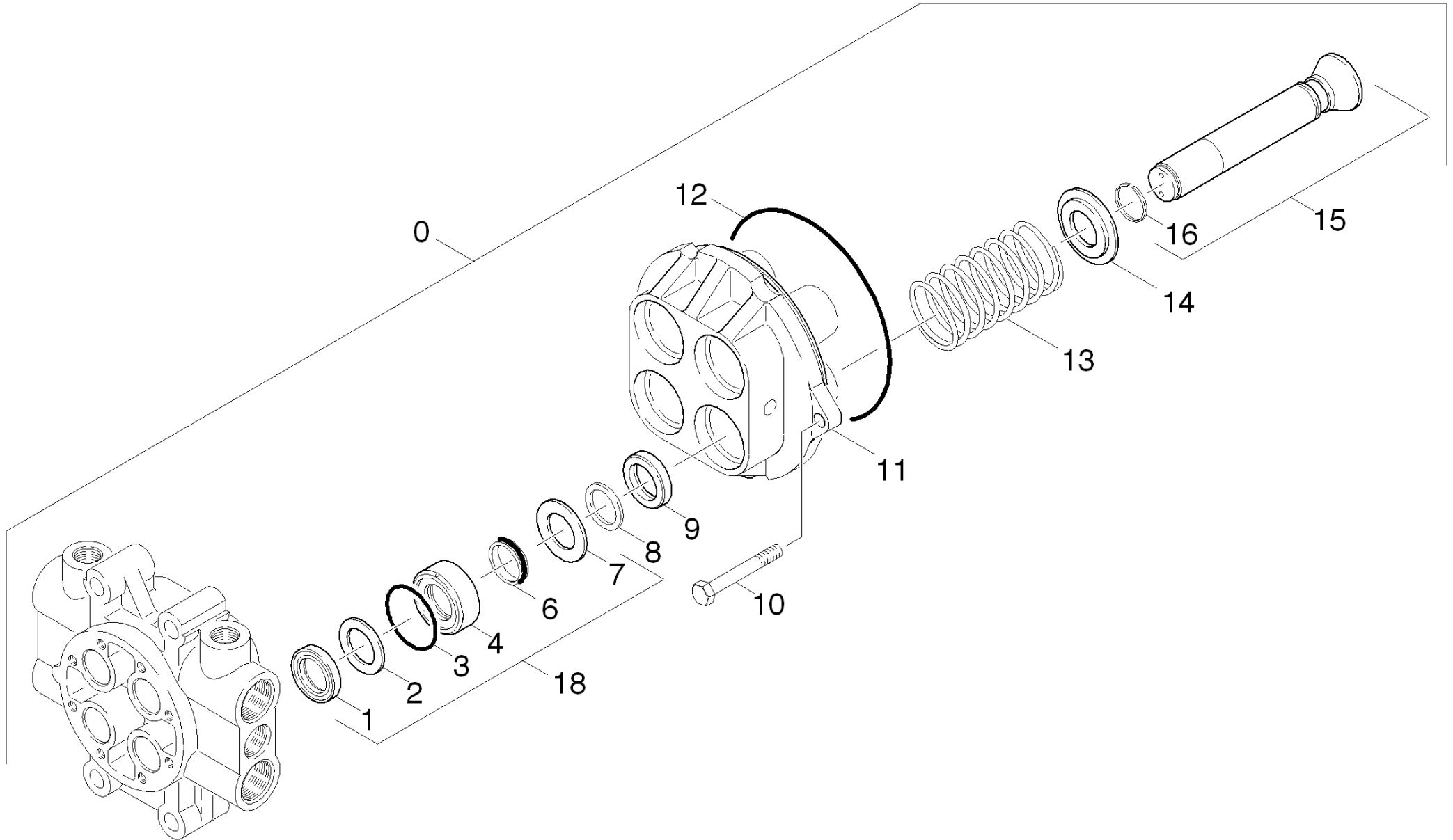


22 Piston

Professional \ Industrial cleaning systems \ High pressure cleaner stationary \ HD 4000 CH \ Spare parts list HD 4000E/4000C \ Cylinder head and piston \ Piston



22 Piston

Professional \ Industrial cleaning systems \ High pressure cleaner stationary \ HD 4000 CH \ Spare parts list HD 4000E/4000C \ Cylinder head and piston \ Piston

KÄRCHER

POS	Article no.	Description	Quantity	Unit
4	5.112-831.0	Bush	8.000	ST
1	6.365-347.0	Grooved ring	8.000	ST
13	5.332-187.0	Helical spring	8.000	ST
10	7.304-461.0	Hexagonal head screw M 8x50-8.8-A2E IS	4.000	ST
8	5.363-202.0	Joint ring	8.000	ST
3	6.362-563.0	O-Ring seal 40,0 X 2,0-NBR 88	8.000	ST
12	6.362-565.0	O-Ring seal 135,0 X 2,5-NBR 90	2.000	ST
15	4.553-132.0	Piston complete	8.000	ST
11	5.060-408.0	PISTON GUIDE	2.000	ST
100	2.883-272.0	Pump set (HD-C)	1.000	ST
0	3.532-355.0	Pump set 4000 L	1.000	ST
0	3.532-420.0	Pump set 4000L	1.000	ST
9	6.367-032.0	Rotary shaft seal 24X 35-NBR	8.000	ST
18	2.883-264.0	Set of gaskets (HD-C)	2.000	ST
6	6.365-543.0	Set of gaskets low-pressure W2 D24	8.000	ST
16	6.343-144.0	Snap ring 24	8.000	ST
2	5.115-480.0	Washer	8.000	ST
14	5.115-315.0	Washer	8.000	ST
7	5.115-384.0	Washer	8.000	ST