

Spare parts list

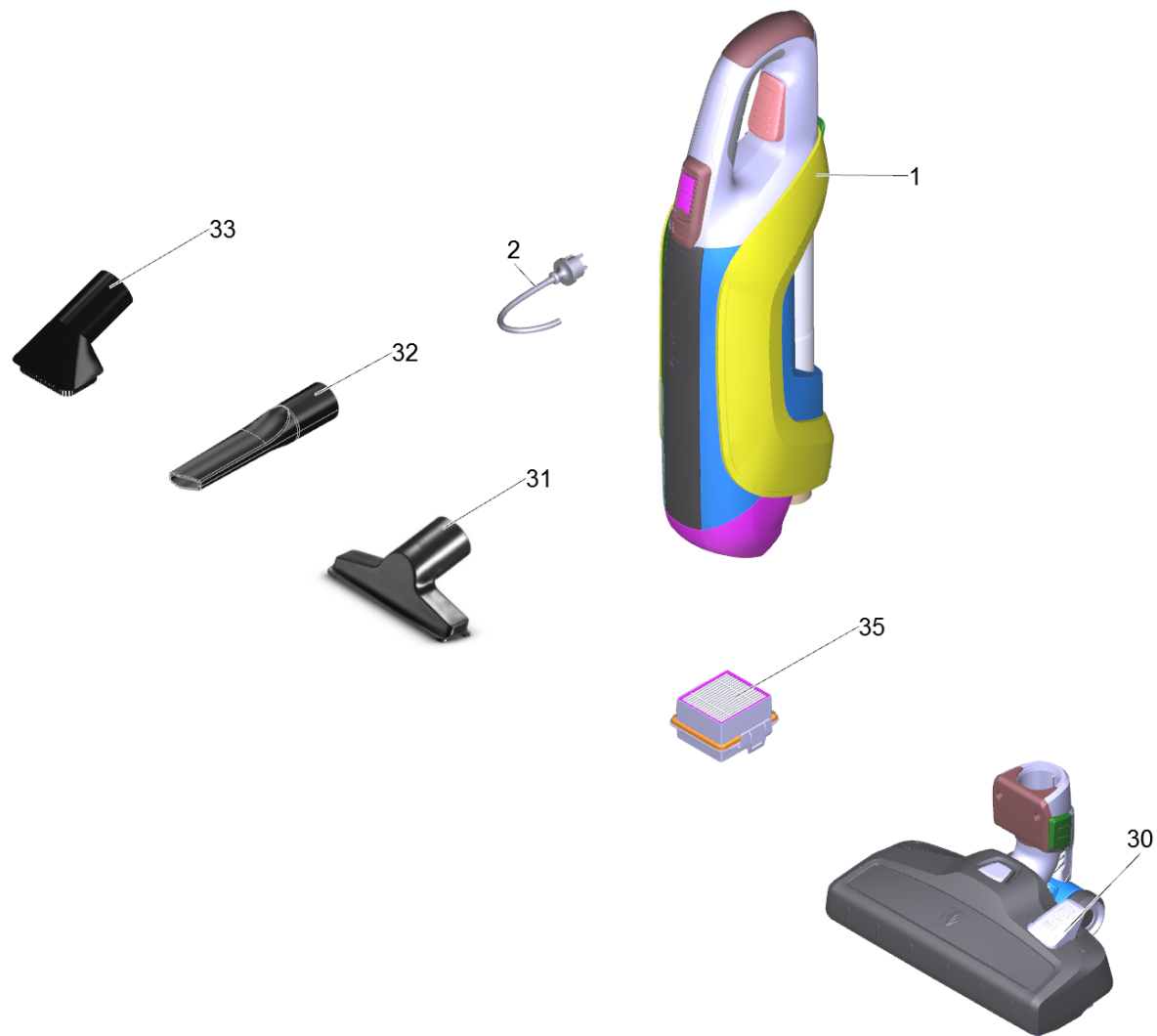
(1.349-200.0) VC 5 Premium (white) *EU-I

Table of contents

VC 5 Premium (white) *EU-I (1.349-200.0)	3
Spare parts list VC 5 Premium (white) *E (5.974-372.0)	4
1 Basic unit white 220 - 240 V	6
21 Filter box completely white (4.195-253.3)	8
21 Filter box complete white	10
210 Short spare parts list	12

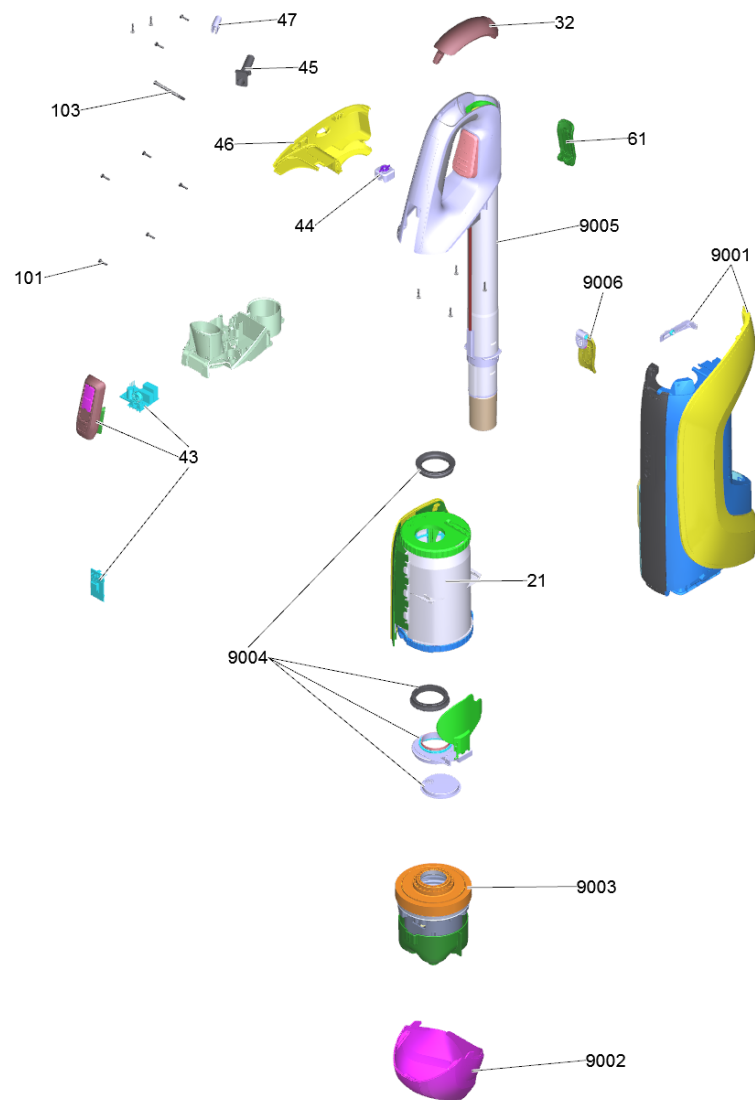
VC 5 Premium (white) *EU-I (1.349-200.0)

POS	Article no.	Description	Quantity	Unit
0	5.974-372.0	Spare parts list VC 5 Premium (white) *E	1.000	ST
210		Short spare parts list	1.000	ST



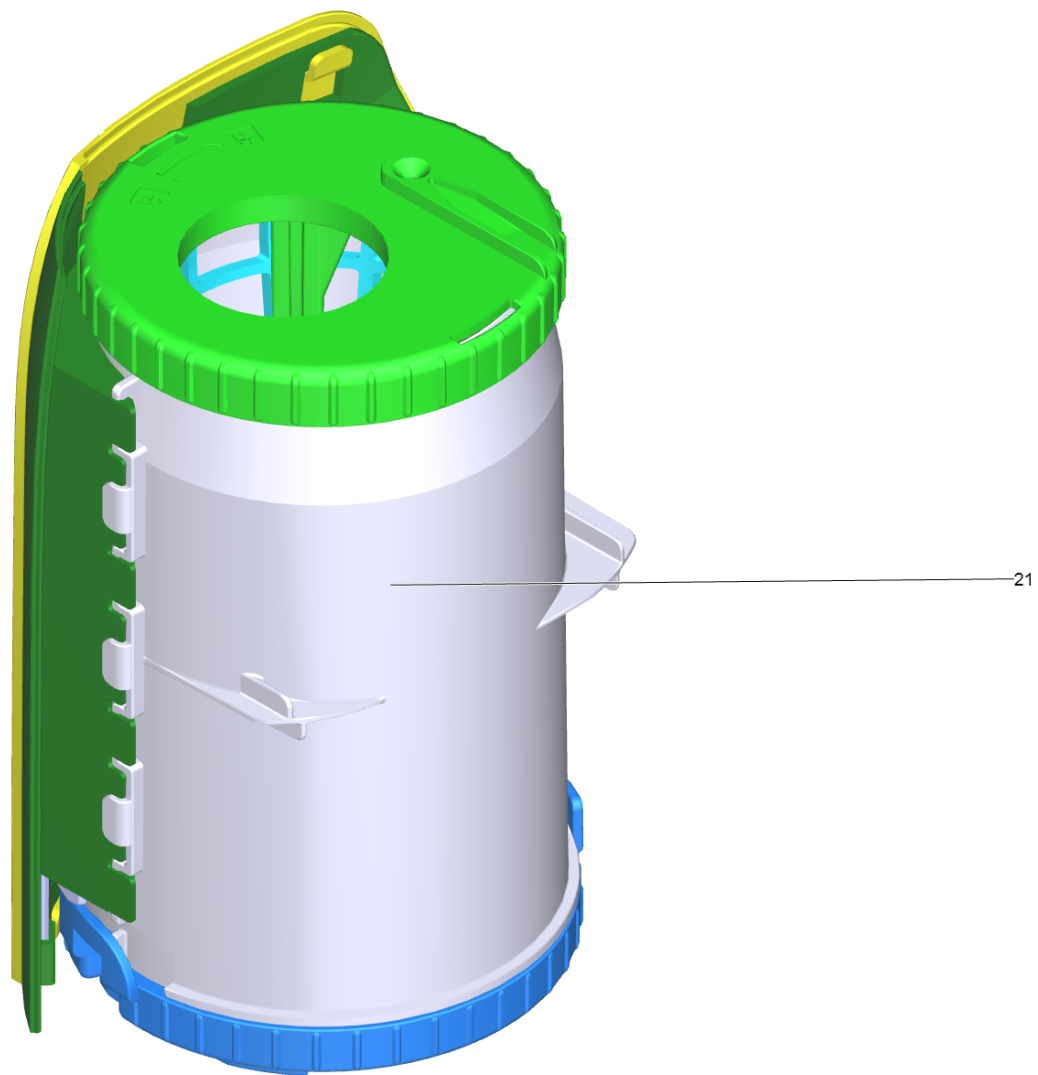
Spare parts list VC 5 Premium (white) *E (5.974-372.0)

POS	Article no.	Description	Quantity	Unit
1		Basic unit white 220 - 240 V	1.000	ST
2	6.650-583.0	Cable plug black *EU 9,2m 2x0,75 H05VVH2	1.000	ST
30	4.195-098.3	Floor tool completely black	1.000	ST
31	6.906-622.0	Upholstery nozzle	1.000	ST
32	5.195-196.0	Crevice nozzle	1.000	ST
33	2.863-241.0	Furniture brush VC 5	1.000	ST
35	2.863-240.0	Exhaust air filter VC 5	1.000	ST



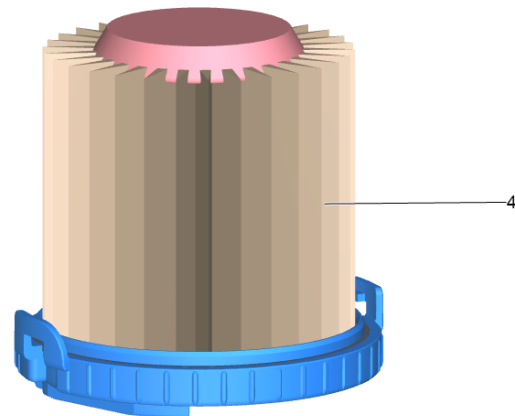
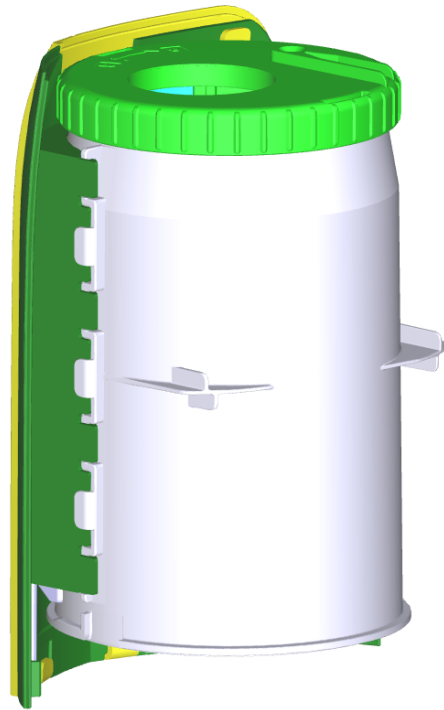
1 Basic unit white 220 - 240 V

POS	Article no.	Description	Quantity	Unit
21	4.195-253.3	Filter box completely white	1.000	ST
32	5.195-460.3	Cirt clack hand grip black	1.000	ST
43	4.195-248.3	Electrical box completely	1.000	ST
44	5.195-476.0	Strain relief cable	1.000	ST
45	5.195-478.0	Rubber grommet cable	1.000	ST
46	5.195-509.3	Covering cap hand grip, white	1.000	ST
47	5.195-482.0	Clip cable	1.000	ST
61	5.195-501.0	Catch for cable rear white	1.000	ST
101	9.086-227.0	Screw 3x18 Zn Ni	13.000	ST
103	6.195-044.0	Screw with shaft 4x50	1.000	ST
9001	4.070-200.0	Housing set	1.000	ST
9002	4.195-257.3	Cover completely black	1.000	ST
9003	4.070-172.0	Turbine completely packaged	1.000	ST
9004	4.070-191.0	Seal set	1.000	ST
9005	4.195-273.0	Telescopic tube hand grip complete	1.000	ST
9006	4.195-260.3	Catch for cable set	1.000	ST



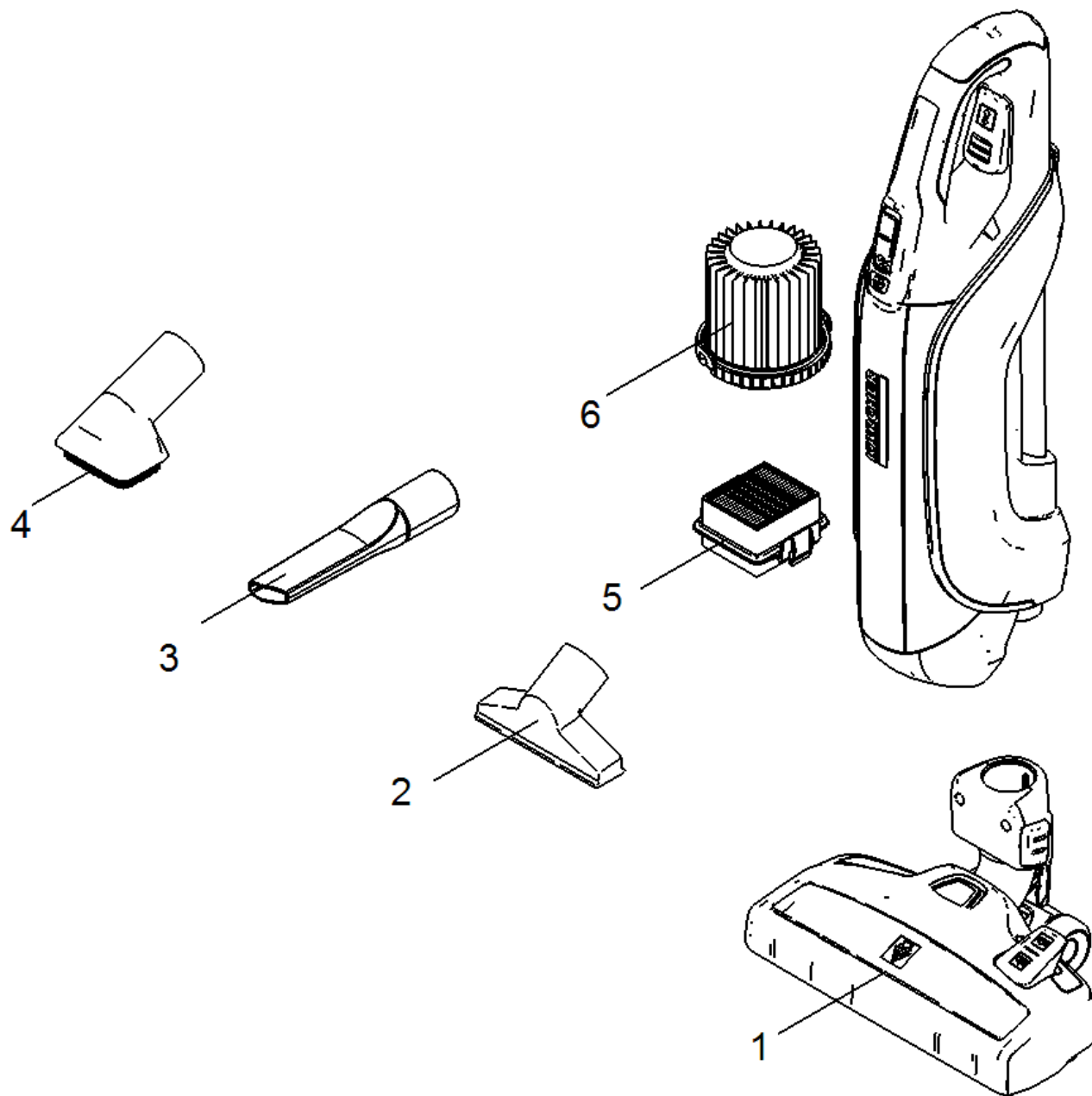
21 Filter box completely white (4.195-253.3)

POS	Description	Quantity	Unit
21	Filter box complete white	1.000	ST



21 Filter box complete white

POS	Article no.	Description	Quantity	Unit
4	2.863-239.0	Cartridge filter VC 5	1.000	ST



210 Short spare parts list

POS	Article no.	Description	Quantity	Unit
1	4.195-098.3	Floor tool completely black	1.000	ST
2	6.906-622.0	Upholstery nozzle	1.000	ST
3	5.195-196.0	Crevice nozzle	1.000	ST
4	2.863-241.0	Furniture brush VC 5	1.000	ST
5	2.863-240.0	Exhaust air filter VC 5	1.000	ST
6	2.863-239.0	Cartridge filter VC 5	1.000	ST