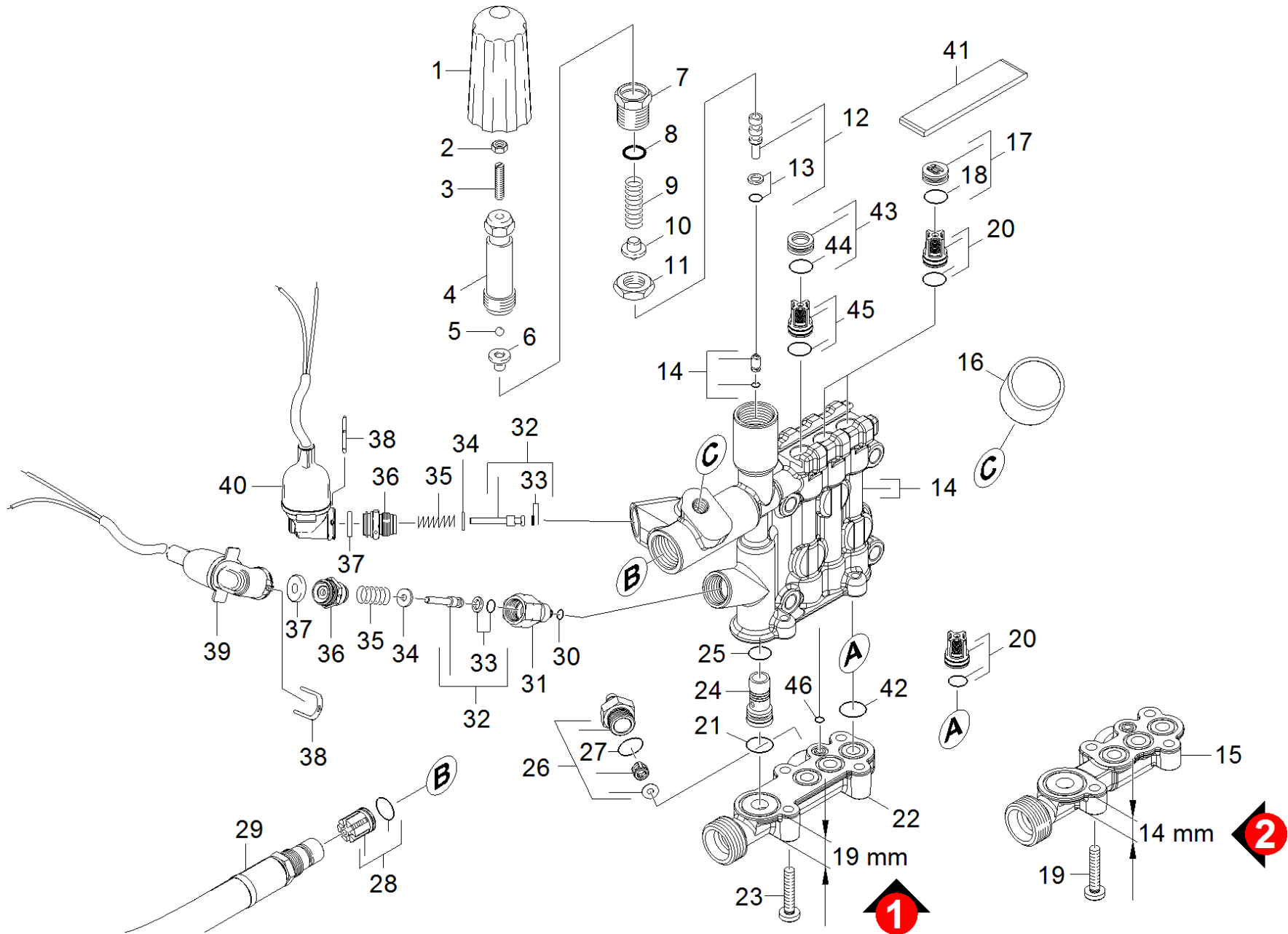


# 21 Cylinder head

Professional \ High pressure cleaner hotwater \ Electric motor \ HDS 8/17 C \*EU-II \ Spare parts list HDS 8/17 C/CX \ Pump set \ Cylinder head



## 21 Cylinder head

Professional \ High pressure cleaner hotwater \ Electric motor \ HDS 8/17 C \*EU-II \ Spare parts list HDS 8/17 C/CX \ Pump set \ Cylinder head

**KÄRCHER**

POS	Article no.	Description	Quantity	Unit
1	5.321-579.0	Handle	1.000	ST
2	7.311-002.0	Hexagon nut M5 -6-A2E ISO 4032	1.000	ST
3	7.307-017.0	Threaded pin M5x40 -St-45H-A2E ISO 4026	1.000	ST
4	5.304-070.0	Hexagonal head screw	1.000	ST
5	7.401-931.0	Sphere 5 KI3 -1.4401 DIN 5401	1.000	ST
6	5.582-121.0	Valve disc	1.000	ST
7	5.404-082.0	Hollow screw	1.000	ST
8	6.362-079.0	O-Ring seal 18,0 X 2,5	1.000	ST
9	5.332-444.0	Helical spring	1.000	ST
10	5.584-114.0	Valve pin	1.000	ST
11	5.311-204.0	Hexagon nut M22x1,5	1.000	ST
12	4.553-198.0	Piston complete only for replacement	1.000	ST
13	6.362-468.0	O-Ring seal complete 1ST.-R.	1.000	ST
14	4.550-998.0	Cylinder head complete only for replacem	1.000	ST
15	5.427-469.0	Manifold water intake	1.000	ST
16	4.422-991.0	Pressure gauge complete only for replace	1.000	ST
17	4.132-007.0	Drain plug only for replacement	3.000	ST
18	6.362-458.0	O-Ring seal 11,0x2,0-NBR 70	3.000	ST
19	7.306-094.0	Screw M6x25 -8.8-R3R (In6Rd)	4.000	ST
20	2.884-916.0	Valve (3 Stück)	2.000	ST
21	6.363-536.0	O-Ring seal 21x1,5	1.000	ST
22	5.427-438.0	Manifold water intake	1.000	ST
23	7.306-105.0	Screw M6x30 -8.8-R3R (In6Rd)	4.000	ST
24	5.110-800.0	Sleeve	1.000	ST
25	6.362-381.0	O-Ring seal 13x2 - NBR 70	1.000	ST
26	4.580-581.3	Valve complete	1.000	ST
27	6.362-427.0	O-Ring seal 15,0x2,0	1.000	ST
28	4.580-594.0	Valve complete	1.000	ST
29	6.391-859.0	High pressure hose DN 13	1.000	ST
30	6.362-853.0	O-Ring seal 4,47x1,78	1.000	ST
31	5.402-705.3	Joining piece	1.000	ST
32	4.553-197.0	Piston complete only for replacement	2.000	ST
33	6.363-037.0	O-Ring seal complete 1ST.-R.	2.000	ST

## 21 Cylinder head

Professional \ High pressure cleaner hotwater \ Electric motor \ HDS 8/17 C \*EU-II \ Spare parts list HDS 8/17 C/CX \ Pump set \ Cylinder head

**KÄRCHER**

POS	Article no.	Description	Quantity	Unit
34	5.115-796.0	Washer	2.000	ST
35	5.332-268.0	Helical spring	2.000	ST
36	5.411-148.0	Screw plug	2.000	ST
37	5.367-030.0	Diaphragm	2.000	ST
38	5.034-494.0	Retaining bracket	2.000	ST
39	4.744-225.3	Switch complete	1.000	ST
40	4.744-224.0	Switch complete	1.000	ST
41	5.003-062.0	Plate	1.000	ST
42	6.362-533.0	O-Ring seal 14,0 X 1,5-NBR 70	3.000	ST
43	4.132-015.0	Drain plug complete only for replacement	1.000	ST
44	6.362-481.0	O-Ring seal 14,0 x 2,0 NBR 80	1.000	ST
45	4.580-295.0	Valve complete	1.000	ST
46	6.362-703.0	O-Ring seal 6,0x1,5-NBR 70	1.000	ST
100	2.884-009.0	Pump set	1.000	ST