

## **Spare parts list**

(1.069-939.0) K 5.20M-PLUS-RWB\*RU

## Table of contents

---

|   |    |
|---|----|
| K 5.20M-PLUS-RWB*RU (1.069-939.0)                         | 4  |
| Spare parts list K 520 M (5.955-833.0)                    | 5  |
| 10 Individual parts                                       | 6  |
| 20 Pump set   | 8  |
| 21 Excess-current   | 9  |
| 3 Moulded part complete only for replaceme (4.030-123.0)  | 11 |
| 100 PUMP SET (2.883-826.0)                                | 13 |
| 10 Joining piece only for replacement (4.030-045.0)       | 14 |
| 20 Moulded part complete only for replaceme (4.030-069.0) | 15 |
| 50 Valve plug complete (4.132-011.0)                      | 17 |
| 70 Suction valve complete (4.580-308.0)                   | 18 |
| 22 Piston   | 20 |
| 2 Piston complete (4.553-173.0)                           | 22 |
| 23 Cylinder head  | 23 |
| 4 Valve plug complete (4.132-011.0)                       | 25 |
| 6 Nozzle insert only for replacement (4.769-034.0)        | 26 |
| 8 Valve pin complete (4.584-022.0)                        | 28 |
| 12 Joining piece only for replacement (4.030-125.0)       | 30 |
| 17 Spare part set (2.883-158.0)                           | 32 |
| 30 Motor  | 33 |
| 31 Ventilation  | 34 |
| 32 Transmission   | 36 |
| 40 Accessories  | 39 |
| 41 Hand trigger gun                                       | 40 |
| 42 Hand trigger gun                                       | 42 |
| 43 Hand trigger gun                                       | 44 |
| G 180 Q Trigger gun Quick Connect (2.642-889.0)           | 46 |
| 2 HK 12 high pressure hose set+trigger gun (2.643-909.0)  | 48 |
| 1 G 180 Q Trigger gun Quick Connect (2.642-889.0)         | 50 |
| 44 Jet pipe   | 52 |
| 1 PC 7.5 pipe cleaning set (2.637-729.0)                  | 54 |
| 100 Spare parts list pipe cleaning set (5.952-715.0)      | 55 |
| 10 Pipe cleaning hose                                     | 56 |
| 20 Pipe cleaning hose                                     | 58 |
| 8 VPS K5 033 (4.760-524.0)                                | 60 |
| 9 DB 145 rotor nozzle packaged (2.642-728.0)              | 62 |
| 11 WB 100 washing brush (2.643-236.0)                     | 64 |
| 45 Surface cleaner  | 66 |

## Table of contents

---

|  |     |
|--|-----|
| 1 Single-step jet pipe extension (2.643-240.0) | 68  |
| 7 Spare parts nozzles T-Racer (2.643-338.0)    | 70  |
| 46 Surface cleaner                             | 73  |
| 1 Single-step jet pipe extension (2.643-240.0) | 75  |
| 7 Spare parts nozzles T-Racer (2.643-338.0)    | 77  |
| 47 Surface cleaner                             | 80  |
| 1 Single-step jet pipe extension (2.643-240.0) | 82  |
| 7 Spare parts nozzles T-Racer (2.643-338.0)    | 84  |
| 48 Surface cleaner                             | 87  |
| 23 Spare parts nozzles T-Racer (2.643-338.0)   | 89  |
| 49 Water filter                                | 92  |
| 1 Water filter (4.730-059.0)                   | 94  |
| 1 Water filter complete (4.730-159.0)          | 95  |
| 50 Electric control box                        | 97  |
| 8 Electric box complete (4.800-852.0)          | 100 |

K 5.20M-PLUS-RWB\*RU (1.069-939.0)

---

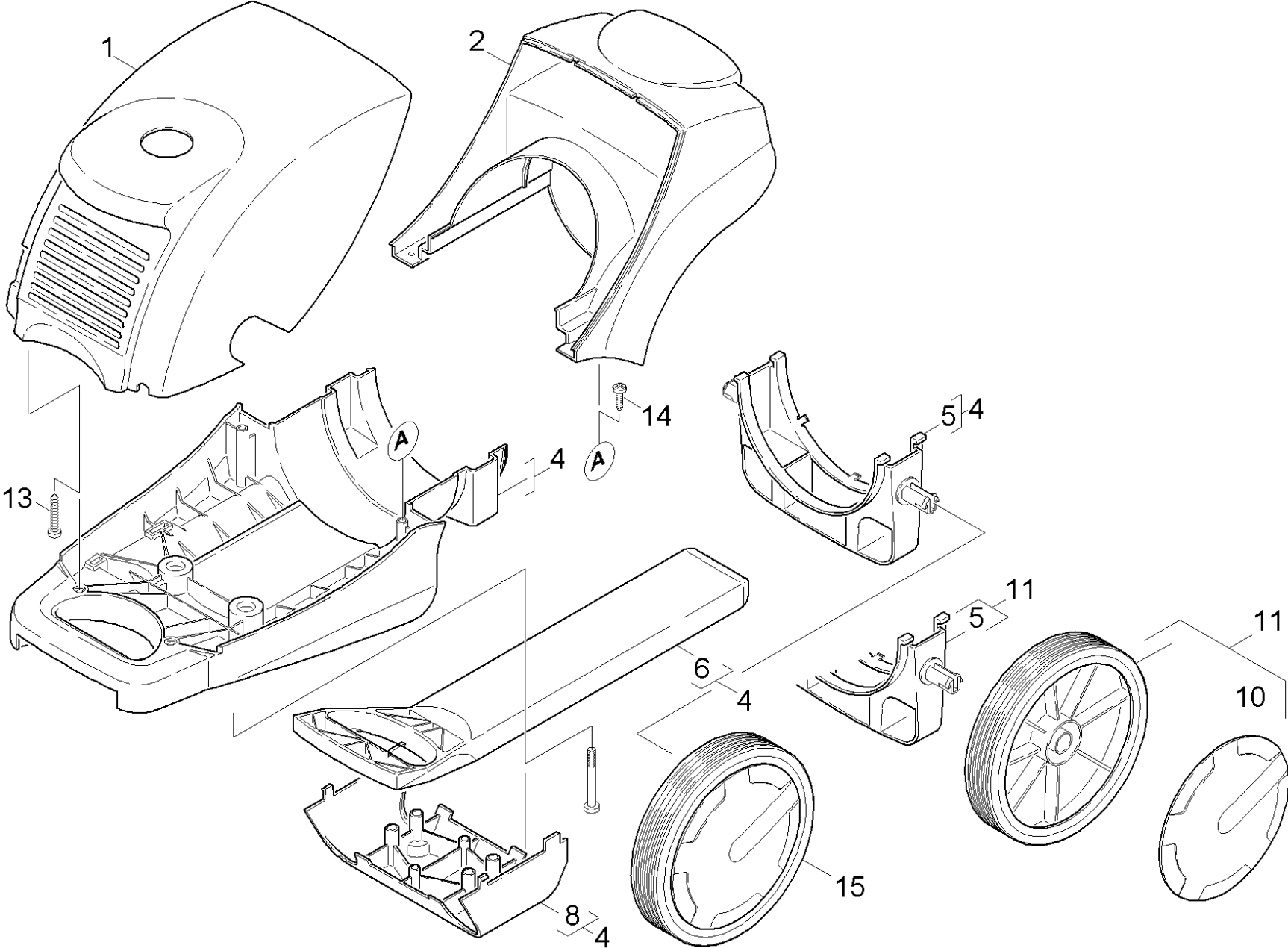
| POS | Article no. | Description              | Quantity | Unit |
|-----|-------------|--------------------------|----------|------|
| 0   | 5.955-833.0 | Spare parts list K 520 M | 1        | PC   |
|     |             | Item text2: 10699390     |          |      |

---

Spare parts list K 520 M (5.955-833.0)

---

| <b>POS</b> | <b>Description</b>   | <b>Quantity</b> | <b>Unit</b> |
|------------|----------------------|-----------------|-------------|
| 40         | Accessories          | 1               | PC          |
| 50         | Electric control box | 1               | PC          |
| 10         | Individual parts     | 1               | PC          |
| 30         | Motor                | 1               | PC          |
| 20         | Pump set             | 1               | PC          |



## 10 Individual parts

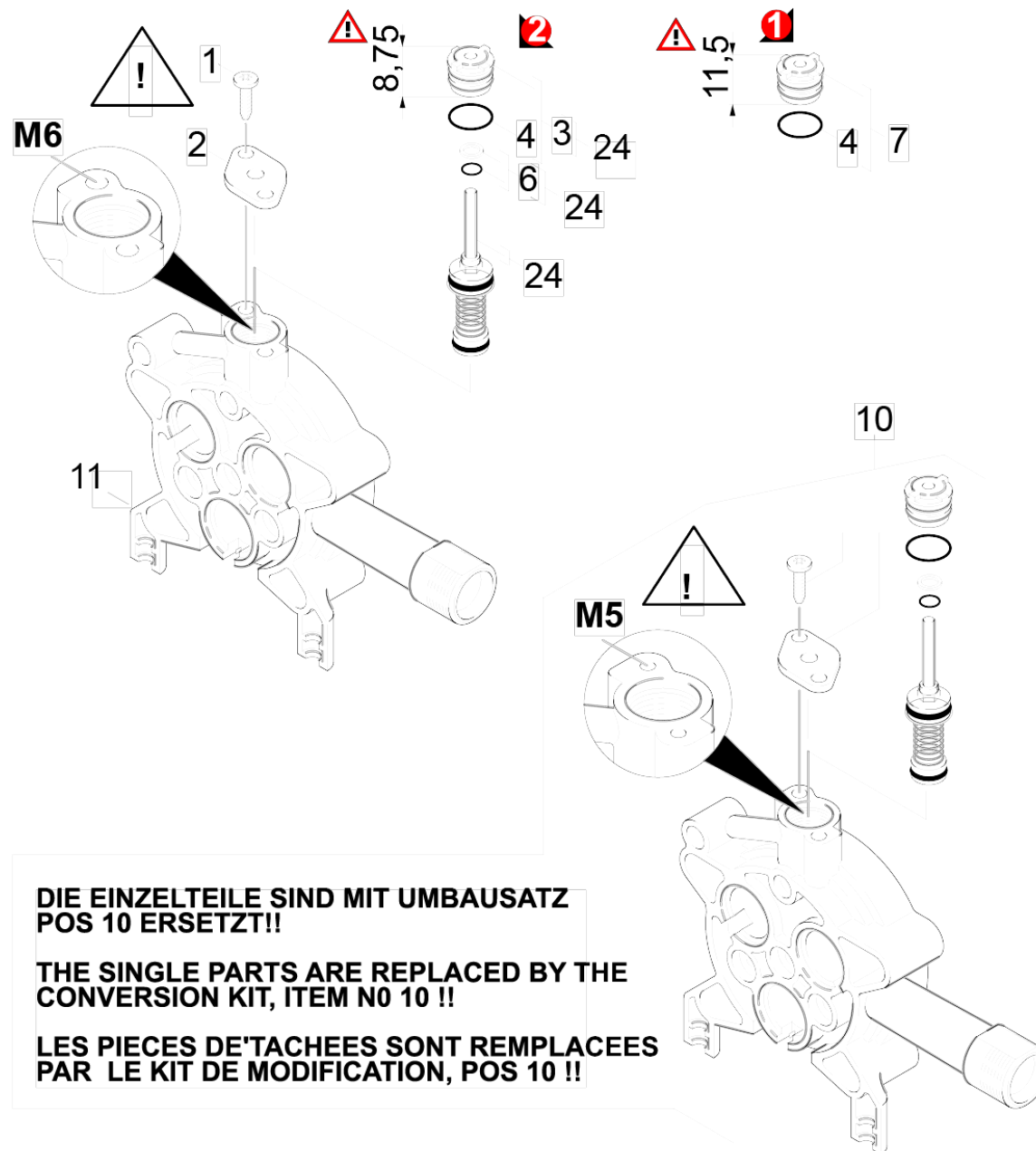
| POS | Article no.   | Description                        | Quantity | Unit | Foot note text  |
|-----|---|------------------------------------|----------|------|-----------------|
| 5   | 5.105-223.0   | Axle                               | 1        | PC   |                 |
| 4   | 4.050-941.0   | Chassis complete                   | 1        | PC   |                 |
|     | <b>Item text1:</b> 1.069-956.0 /-957.0                      |                                    |          |      |                 |
| 2   | 5.031-241.0   | Covering cap chassis               | 1        | PC   |                 |
| 2   | 5.033-388.0   | Covering cap chassis yellow -K5.20 | 1        | PC   |                 |
|     | <b>Item text1:</b> 1.069-956.0 /-957.0                      |                                    |          |      |                 |
| 8   | 5.031-242.0   | Covering cap handhold              | 1        | PC   |                 |
| 6   | 5.321-505.0   | Handhold                           | 1        | PC   |                 |
| 14  | 6.303-125.0   | Screw 5x20-Sonder In6Rd+Spitze     | 2        | PC   |                 |
| 13  | 7.303-109.0   | Screw 5x25 -10.9-R2R (In6Rd)       | 2        | PC   |                 |
| 10  | 2.884-989.0   | Spare part set wheel cap           | 2        | PC   | SET OF 2 PIECES |
| 1   | 7.777-999.0   | Stockpiling discontinued           | 1        | PC   |                 |
|     | <b>Item text1:</b> ONLY COVER BLACK AVAILABLE (5.069-258.0) |                                    |          |      |                 |
| 1   | 7.777-999.0   | Stockpiling discontinued           | 1        | PC   |                 |
|     | <b>Item text1:</b> 1.069-956.0 /-957.0                      |                                    |          |      |                 |
| 4   | 7.777-999.0   | Stockpiling discontinued           | 1        | PC   |                 |
| 8   | 7.777-999.0   | Stockpiling discontinued           | 1        | PC   |                 |
|     | <b>Item text1:</b> 1.069-956.0 /-957.0                      |                                    |          |      |                 |
| 11  | 7.777-999.0   | Stockpiling discontinued           | 1        | PC   | SET OF 2 PIECES |
| 15  | 7.777-999.0   | Stockpiling discontinued           | 2        | PC   |                 |
|     | <b>Item text1:</b> 1.069-956.0 /-957.0                      |                                    |          |      |                 |

## 20 Pump set

---

| <b>POS</b> | <b>Description</b> | <b>Quantity</b> | <b>Unit</b> |
|------------|--------------------|-----------------|-------------|
| 23         | Cylinder head      | 1               | PC          |
| 21         | Excess-current     | 1               | PC          |
| 22         | Piston             | 1               | PC          |





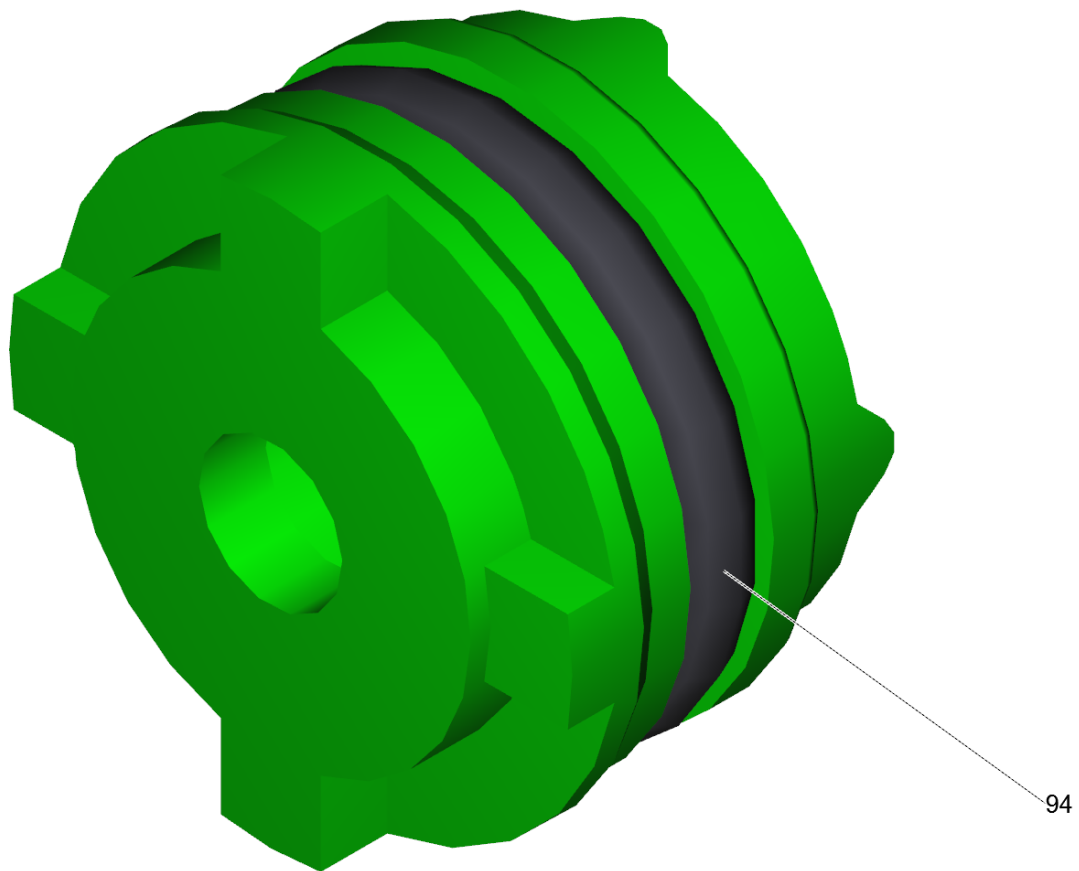
**DIE EINZELTEILE SIND MIT UMBBAUSATZ  
POS 10 ERSETZT!!**

**THE SINGLE PARTS ARE REPLACED BY THE  
CONVERSION KIT, ITEM NO 10 !!**

**LES PIECES DE'TACHEES SONT REMPLACEES  
PAR LE KIT DE MODIFICATION, POS 10 !!**

## 21 Excess-current

| POS | Article no. | Description                              | Quantity | Unit | Remark    | Foot note text  |
|-----|-------------|--|----------|------|-----------|---|
| 2   | 5.064-127.0 | Cover                                    | 1        | PC   |           |   |
| 3   | 4.030-123.0 | Moulded part complete only for replaceme | 1        | PC   | VERSION 2 |   |
| 4   | 6.362-169.0 | O-Ring seal 12,0 X 2,0                   | 1        | PC   |           |   |
| 6   | 6.362-852.0 | O-Ring seal complete 3,69                | 1        | PC   |           |   |
| 11  | 5.060-642.0 | Piston guidance                          | 1        | PC   |           |   |
| 100 | 2.883-826.0 | PUMP SET                                 | 1        | PC   |           |   |
| 1   | 7.303-048.0 | Screw M6x20 -St-R3R (In6Rd)              | 2        | PC   |           |   |
| 7   | 7.777-999.0 | Stockpiling discontinued                 | 1        | PC   | VERSION 1 | NO LONGER AVAILABLE/ PLEASE ORDER POS.24                  |
| 10  | 7.777-999.0 | Stockpiling discontinued                 | 1        | PC   |           | ELECTRIC BOX ITM8/B5 INCLUDED TO SPARE PART KIT 2.883-832 |
| 24  | 7.777-999.0 | Stockpiling discontinued                 | 1        | PC   |           |   |



3 Moulded part complete only for replaceme (4.030-123.0)

---

| POS | Article no. | Description            | Quantity | Unit |
|-----|-------------|------------------------|----------|------|
| 94  | 6.362-169.0 | O-Ring seal 12,0 X 2,0 | 1        | PC   |

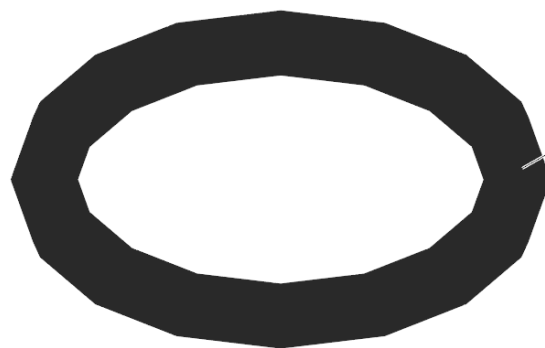
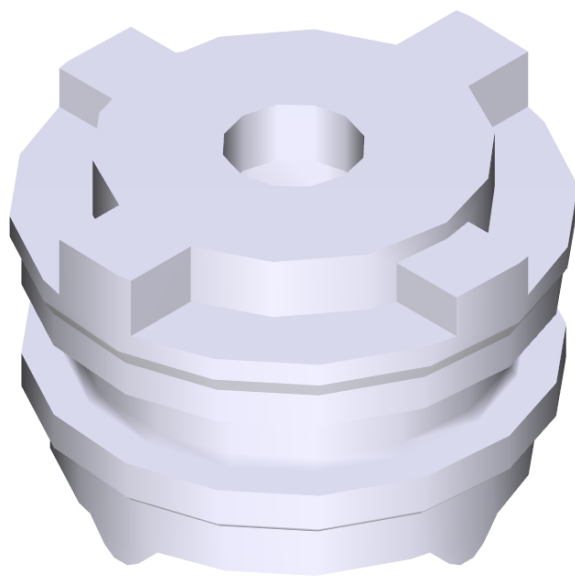
## 100 PUMP SET (2.883-826.0)

| POS | Article no. | Description                              | Quantity | Unit |
|-----|-------------|--|----------|------|
| 90  | 5.064-127.0 | Cover                                    | 1        | PC   |
| 80  | 4.580-325.3 | Excess-current complete for replacement  | 1        | PC   |
| 130 | 6.365-394.0 | Grooved ring 12x20x5,3/2,8               | 3        | PC   |
| 140 | 7.311-003.0 | Hexagon nut M6 -8-A2E ISO 4032           | 2        | PC   |
| 10  | 4.030-045.0 | Joining piece only for replacement       | 1        | PC   |
| 20  | 4.030-069.0 | Moulded part complete only for replaceme | 1        | PC   |
| 120 | 6.362-852.0 | O-Ring seal complete 3,69                | 1        | PC   |
| 60  | 4.580-307.3 | Pressure valve complete                  | 3        | PC   |
| 110 | 6.303-265.0 | Self-tapping screw M6x20                 | 2        | PC   |
| 70  | 4.580-308.0 | Suction valve complete                   | 3        | PC   |
| 30  | 4.030-070.0 | Throttle complete                        | 1        | PC   |
| 40  | 4.132-010.0 | Valve plug complete                      | 2        | PC   |
| 50  | 4.132-011.0 | Valve plug complete                      | 1        | PC   |
| 100 | 5.115-674.0 | Washer                                   | 3        | PC   |

10 Joining piece only for replacement (4.030-045.0)

---

| <b>POS</b> | <b>Article no.</b> | <b>Description</b>    | <b>Quantity</b> | <b>Unit</b> |
|------------|--------------------|-----------------------|-----------------|-------------|
| 120        |                    | Grease                | 0,4             | g           |
| 80         | 6.362-176.0        | O-Ring seal 6,07x1,78 | 2               | PC          |



94

20 Moulded part complete only for replaceme (4.030-069.0)

---

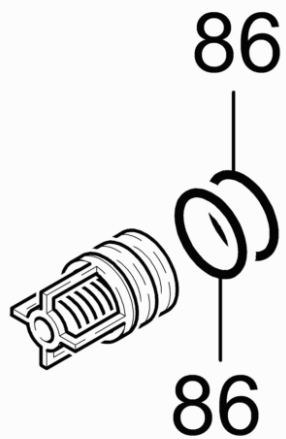
| <b>POS</b> | <b>Article no.</b> | <b>Description</b>     | <b>Quantity</b> | <b>Unit</b> |
|------------|--------------------|------------------------|-----------------|-------------|
| 94         | 6.362-169.0        | O-Ring seal 12,0 X 2,0 | 1               | PC          |



50 Valve plug complete (4.132-011.0)

---

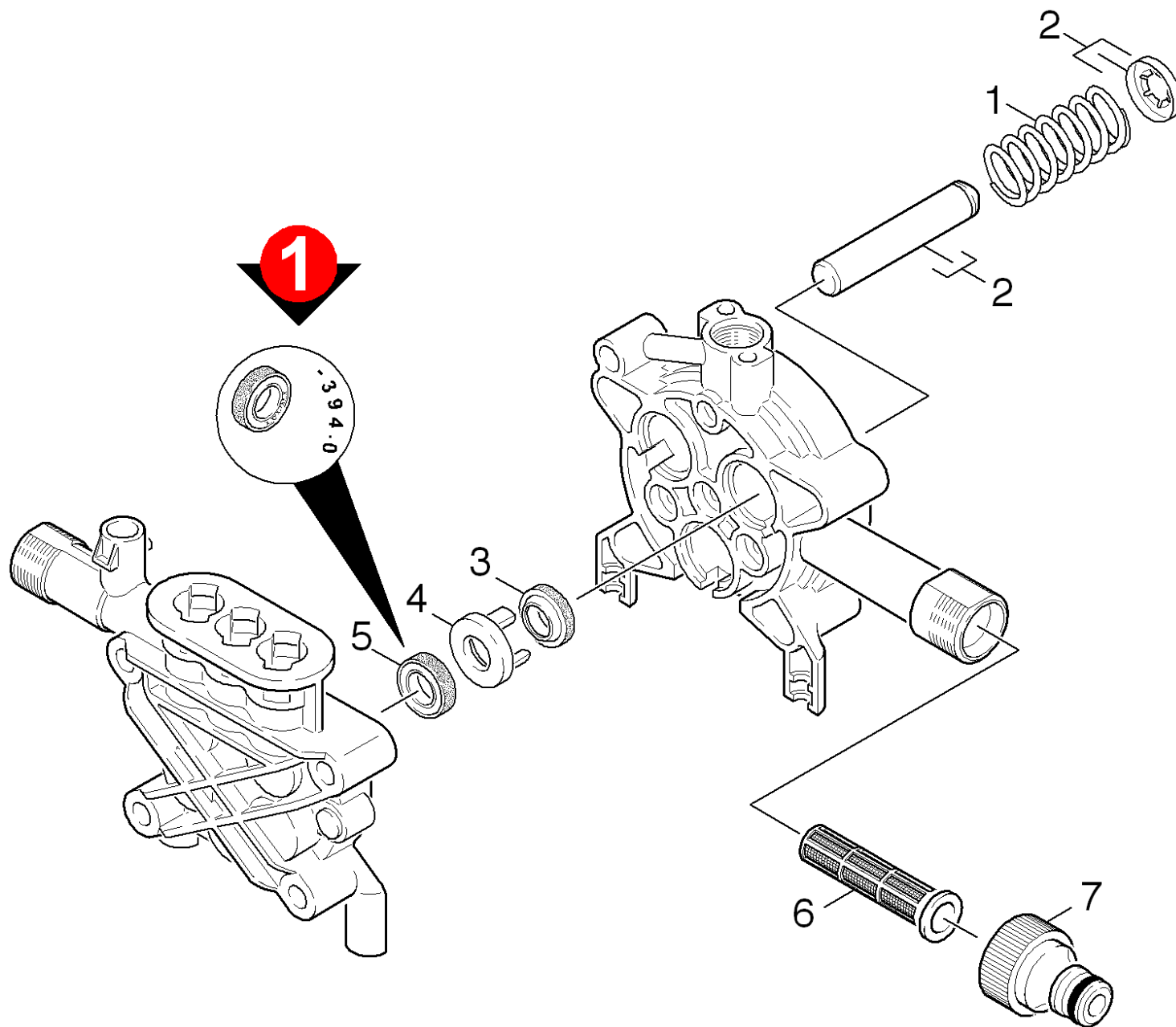
| POS | Article no. | Description                 | Quantity | Unit |
|-----|-------------|-----------------------------|----------|------|
| 120 |             | Grease                      | 0,4      | g    |
| 85  | 6.362-458.0 | O-Ring seal 11,0x2,0-NBR 70 | 1        | PC   |



70 Suction valve complete (4.580-308.0)

---

| POS | Article no. | Description              | Quantity | Unit |
|-----|-------------|--------------------------|----------|------|
| 86  | 6.363-614.0 | O-Ring seal 9 x 2 -NBR90 | 2        | PC   |



## 22 Piston

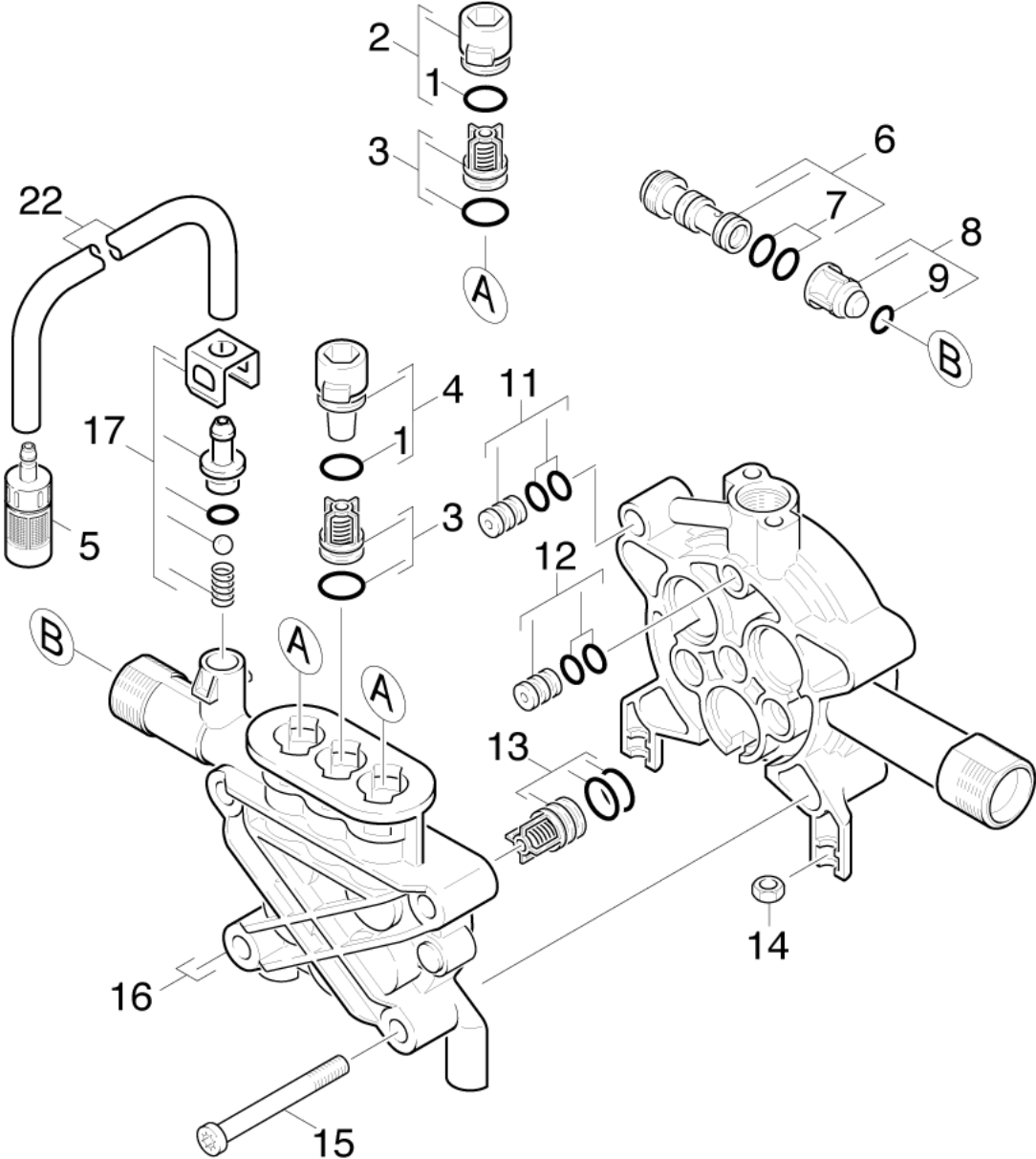
| POS | Article no. | Description                | Quantity | Unit | Remark    | Foot note text |
|-----|-------------|----------------------------|----------|------|-----------|----------------|
| 7   | 6.465-031.0 | Connection 3/4             | 1        | PC   |           |                |
| 6   | 5.731-011.0 | Fine filter                | 1        | PC   |           |                |
| 5   | 6.362-875.0 | Grooved ring               | 3        | PC   | VERSION 2 |                |
| 5   | 6.365-394.0 | Grooved ring 12x20x5,3/2,8 | 3        | PC   | VERSION 1 |                |
| 3   | 6.365-393.0 | Oil sealing 12x20x4/6      | 3        | PC   |           |                |
| 2   | 4.553-173.0 | Piston complete            | 3        | PC   |           |                |
| 1   | 5.332-391.0 | Pressure spring            | 3        | PC   |           |                |
| 4   | 5.115-674.0 | Washer                     | 3        | PC   |           | NATURE         |
| 4   | 5.116-175.0 | Washer                     | 3        | PC   |           | YELLOW         |

2 Piston complete (4.553-173.0)

---

| POS | Article no. | Description        | Quantity | Unit |
|-----|-------------|--------------------|----------|------|
| 32  | 5.115-916.0 | Lock washer piston | 1        | PC   |

---



## 23 Cylinder head

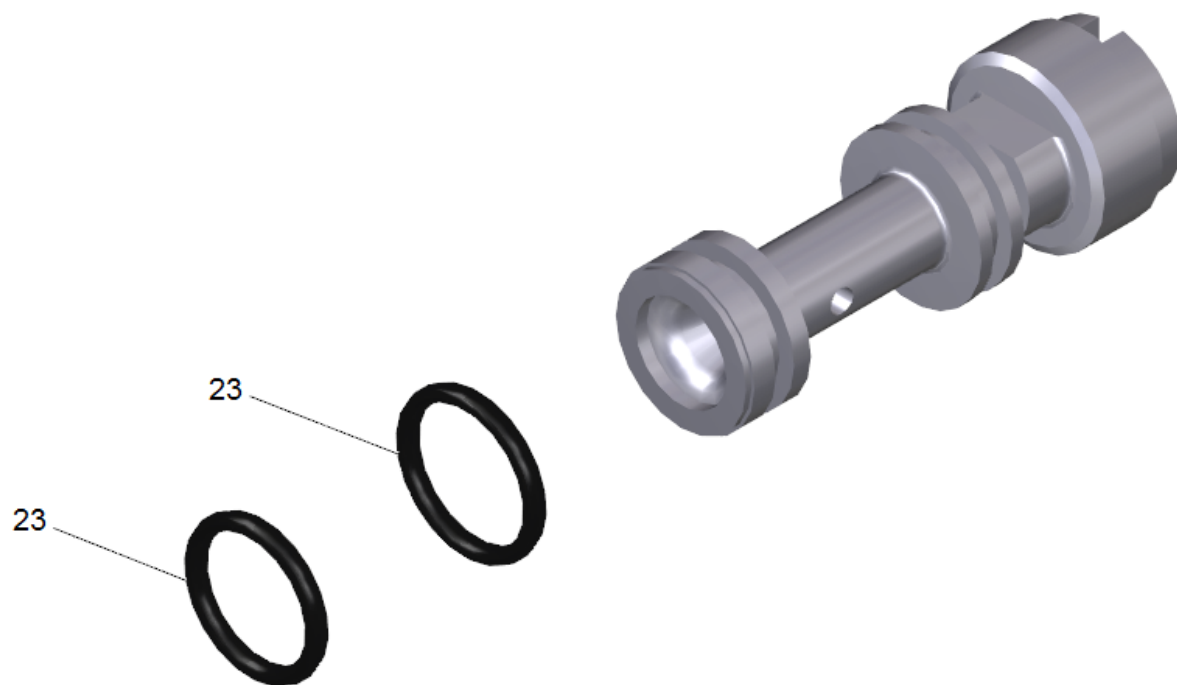
| POS | Article no. | Description                        | Quantity | Unit | Foot note text        |
|-----|-------------|------------------------------------|----------|------|-----------------------|
| 16  | 5.550-331.0 | Cylinder head                      | 1        | PC   |                       |
| 5   | 4.862-225.0 | Filter chemistry regulation        | 1        | PC   |                       |
| 14  | 7.311-003.0 | Hexagon nut M6 -8-A2E ISO 4032     | 2        | PC   |                       |
| 22  | 6.388-216.0 | Hose DN 5 (PVC)                    | 1        | m    | TO ORDER AS CUT GOODS |
| 12  | 4.030-125.0 | Joining piece only for replacement | 1        | PC   |                       |
| 6   | 4.769-034.0 | Nozzle insert only for replacement | 1        | PC   |                       |
| 9   | 6.363-613.0 | O-Ring seal 4 x 2 -NBR90           | 1        | PC   |                       |
| 7   | 6.362-384.0 | O-Ring seal 9x1,5 - NBR 70         | 2        | PC   |                       |
| 1   | 6.363-273.0 | O-Ring seal 11,0 x 2,0             | 3        | PC   |                       |
| 17  | 2.883-158.0 | Spare part set                     | 1        | PC   |                       |
| 15  | 7.777-999.0 | Stockpiling discontinued           | 4        | PC   |                       |
| 11  | 4.030-070.0 | Throttle complete                  | 1        | PC   |                       |
| 3   | 2.884-873.0 | Valve (3 Stueck)                   | 1        | PC   |                       |
| 13  | 2.884-877.0 | Valve (3 Stueck)                   | 1        | PC   |                       |
| 8   | 4.584-022.0 | Valve pin complete                 | 1        | PC   |                       |
| 2   | 4.132-010.0 | Valve plug complete                | 2        | PC   |                       |
| 4   | 4.132-011.0 | Valve plug complete                | 1        | PC   |                       |



4 Valve plug complete (4.132-011.0)

---

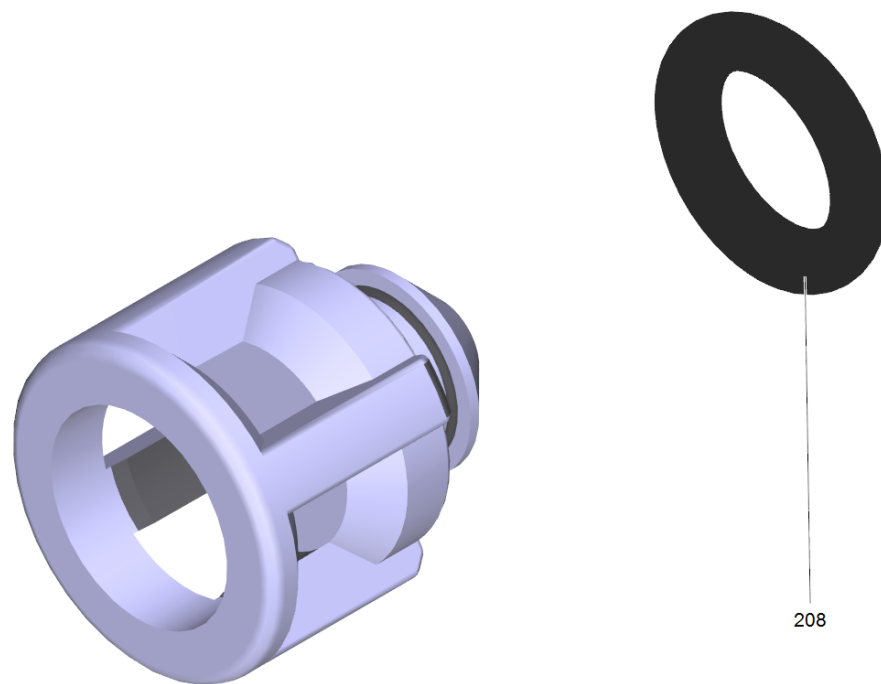
| <b>POS</b> | <b>Article no.</b> | <b>Description</b>          | <b>Quantity</b> | <b>Unit</b> |
|------------|--------------------|-----------------------------|-----------------|-------------|
| 120        |                    | Grease                      | 0,4             | g           |
| 85         | 6.362-458.0        | O-Ring seal 11,0x2,0-NBR 70 | 1               | PC          |



6 Nozzle insert only for replacement (4.769-034.0)

---

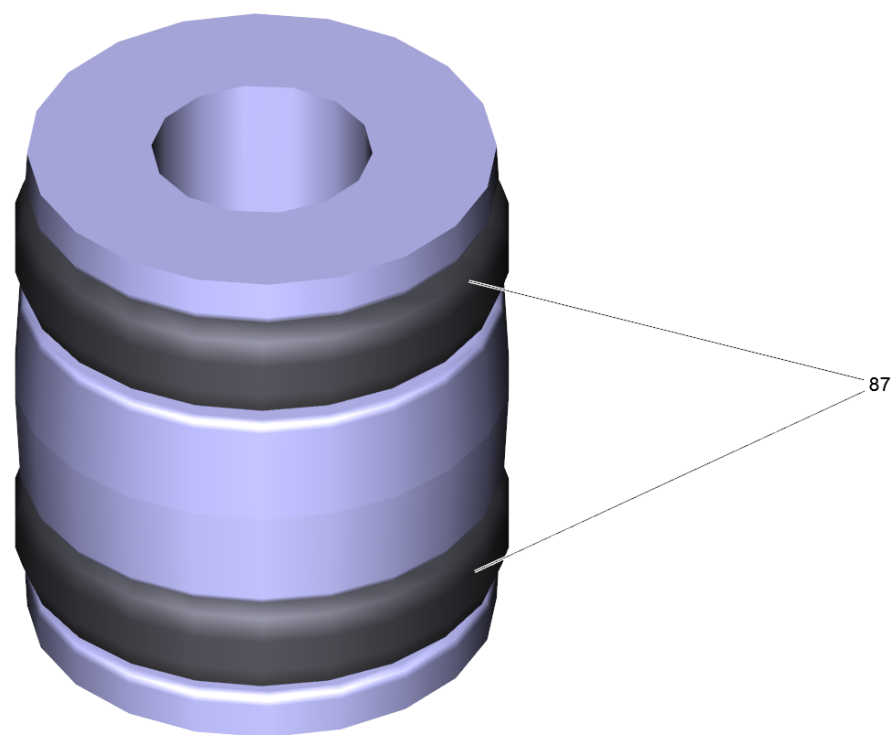
| <b>POS</b> | <b>Article no.</b> | <b>Description</b>         | <b>Quantity</b> | <b>Unit</b> |
|------------|--------------------|----------------------------|-----------------|-------------|
| 23         | 6.362-384.0        | O-Ring seal 9x1,5 - NBR 70 | 2               | PC          |



8 Valve pin complete (4.584-022.0)

---

| POS | Article no. | Description              | Quantity | Unit |
|-----|-------------|--------------------------|----------|------|
| 208 | 6.363-613.0 | O-Ring seal 4 x 2 -NBR90 | 1        | PC   |



12 Joining piece only for replacement (4.030-125.0)

---

| <b>POS</b> | <b>Article no.</b> | <b>Description</b>    | <b>Quantity</b> | <b>Unit</b> |
|------------|--------------------|-----------------------|-----------------|-------------|
| 87         | 6.362-176.0        | O-Ring seal 6,07x1,78 | 2               | PC          |

17 Spare part set (2.883-158.0)

---

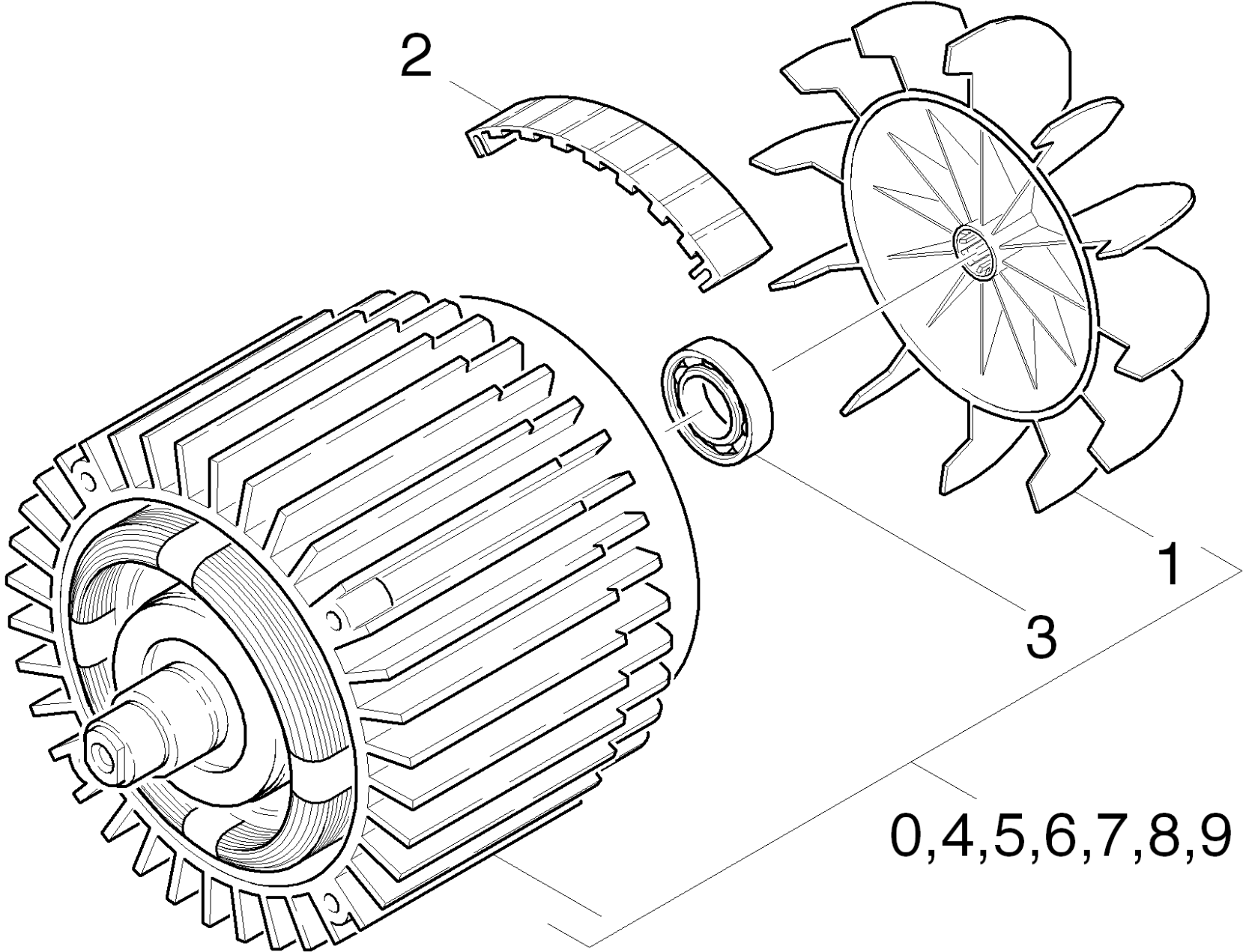
| <b>POS</b> | <b>Article no.</b> | <b>Description</b>       | <b>Quantity</b> | <b>Unit</b> |
|------------|--------------------|--------------------------|-----------------|-------------|
| 10         | 7.777-999.0        | Stockpiling discontinued | 1               | PC          |



## 30 Motor

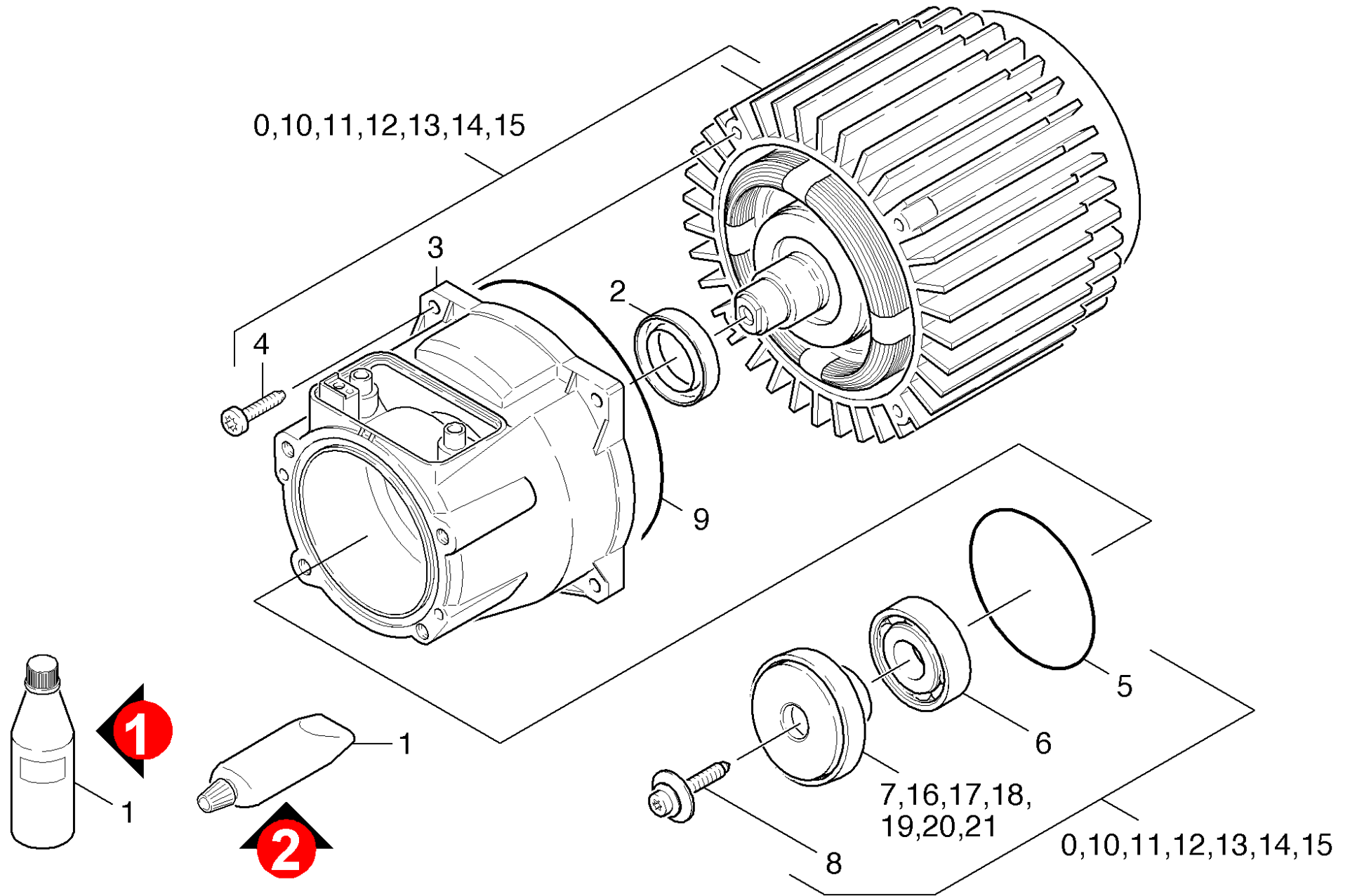
---

| POS | Description  | Quantity | Unit |
|-----|--------------|----------|------|
| 32  | Transmission | 1        | PC   |
| 31  | Ventilation  | 1        | PC   |



## 31 Ventilation

| POS | Article no.                    | Description                             | Quantity | Unit | valid from | valid until |
|-----|--------------------------------|---|----------|------|------------|-------------|
| 3   | 4.401-198.0                    | Ball bearing 6202-2RS -Wälzl.St DIN 625 | 1        | PC   |            |             |
| 1   | 5.600-038.0                    | Blower wheel                            | 1        | PC   |            |             |
| 2   | 5.763-039.0                    | Insulating                              | 1        | PC   |            | 363449      |
| 0   | 7.777-999.0                    | Stockpiling discontinued                | 1        | PC   | 363450     |             |
| 0   | 7.777-999.0                    | Stockpiling discontinued                | 1        | PC   |            | 363449      |
| 4   | 7.777-999.0                    | Stockpiling discontinued                | 1        | PC   | 843599     |             |
|     | <b>Item text1:</b> 1.069-120.0 |   |          |      |            |             |
| 5   | 7.777-999.0                    | Stockpiling discontinued                | 1        | PC   | 238304     |             |
|     | <b>Item text1:</b> 1.069-894.0 |   |          |      |            |             |
| 6   | 7.777-999.0                    | Stockpiling discontinued                | 1        | PC   | 134050     |             |
|     | <b>Item text1:</b> 1.069-952.0 |   |          |      |            |             |
| 7   | 7.777-999.0                    | Stockpiling discontinued                | 1        | PC   | 14914      |             |
|     | <b>Item text1:</b> 1.069-953.0 |   |          |      |            |             |
| 8   | 7.777-999.0                    | Stockpiling discontinued                | 1        | PC   | 10020      |             |
|     | <b>Item text1:</b> 1.069-956.0 |   |          |      |            |             |
| 9   | 7.777-999.0                    | Stockpiling discontinued                | 1        | PC   | 10000      |             |
|     | <b>Item text1:</b> 1.069-957.0 |   |          |      |            |             |



## 32 Transmission

| POS | Article no.                    | Description                                | Quantity | Unit | valid from | valid until | Remark    |
|-----|--------------------------------|--|----------|------|------------|-------------|-----------|
| 6   | 7.401-010.0                    | Ball bearing 6303 St DIN 625-1             | 1        | PC   | 363450     |             |           |
| 6   | 4.401-199.0                    | Ball bearing<br>6304-WAELZLAGERST DIN 625  | 1        | PC   |            | 363449      |           |
| 3   | 5.093-226.0                    | Bearing plate A                            | 1        | PC   |            | 363449      |           |
| 8   | 6.304-048.0                    | Cylinder head screw M6x19                  | 1        | PC   |            |             |           |
| 1   | 6.288-050.0                    | Engine oil 1L                              | 1        | PC   |            |             | VERSION 1 |
| 2   | 9.078-021.0                    | Grooved ring 17x35x5                       | 1        | PC   | 363450     |             |           |
| 9   | 5.363-466.0                    | Joint ring                                 | 1        | PC   | 363450     |             |           |
| 5   | 6.362-471.0                    | O-Ring seal 80,0 X 3,0 -NBR 70             | 1        | PC   |            |             |           |
| 2   | 7.367-018.0                    | Radial shaft seal ring<br>A26x37x7 -NBR DI | 1        | PC   |            | 363449      |           |
| 4   | 6.303-320.0                    | Screw M 5x 20-St-R2R                       | 4        | PC   |            |             |           |
| 0   | 7.777-999.0                    | Stockpiling discontinued                   | 1        | PC   | 363450     |             |           |
| 0   | 7.777-999.0                    | Stockpiling discontinued                   | 1        | PC   |            | 363449      |           |
| 3   | 7.777-999.0                    | Stockpiling discontinued                   | 1        | PC   | 402840     |             |           |
| 10  | 7.777-999.0                    | Stockpiling discontinued                   | 1        | PC   | 843599     |             |           |
|     | <b>Item text1:</b> 1.069-120.0 |  |          |      |            |             |           |
| 11  | 7.777-999.0                    | Stockpiling discontinued                   | 1        | PC   | 238304     |             |           |
|     | <b>Item text1:</b> 1.069-894.0 |  |          |      |            |             |           |
| 12  | 7.777-999.0                    | Stockpiling discontinued                   | 1        | PC   | 134050     |             |           |
|     | <b>Item text1:</b> 1.069-952.0 |  |          |      |            |             |           |
| 13  | 7.777-999.0                    | Stockpiling discontinued                   | 1        | PC   | 14914      |             |           |
|     | <b>Item text1:</b> 1.069-953.0 |  |          |      |            |             |           |
| 14  | 7.777-999.0                    | Stockpiling discontinued                   | 1        | PC   | 10020      |             |           |
|     | <b>Item text1:</b> 1.069-956.0 |  |          |      |            |             |           |
| 15  | 7.777-999.0                    | Stockpiling discontinued                   | 1        | PC   | 10000      |             |           |
|     | <b>Item text1:</b> 1.069-957.0 |  |          |      |            |             |           |
| 16  | 7.777-999.0                    | Stockpiling discontinued                   | 1        | PC   | 843599     |             |           |
|     | <b>Item text1:</b> 1.069-120.0 |  |          |      |            |             |           |
| 17  | 7.777-999.0                    | Stockpiling discontinued                   | 1        | PC   | 238304     |             |           |
|     | <b>Item text1:</b> 1.069-894.0 |  |          |      |            |             |           |
| 18  | 7.777-999.0                    | Stockpiling discontinued                   | 1        | PC   | 134050     |             |           |
|     | <b>Item text1:</b> 1.069-952.0 |  |          |      |            |             |           |
| 19  | 7.777-999.0                    | Stockpiling discontinued                   | 1        | PC   | 14914      |             |           |

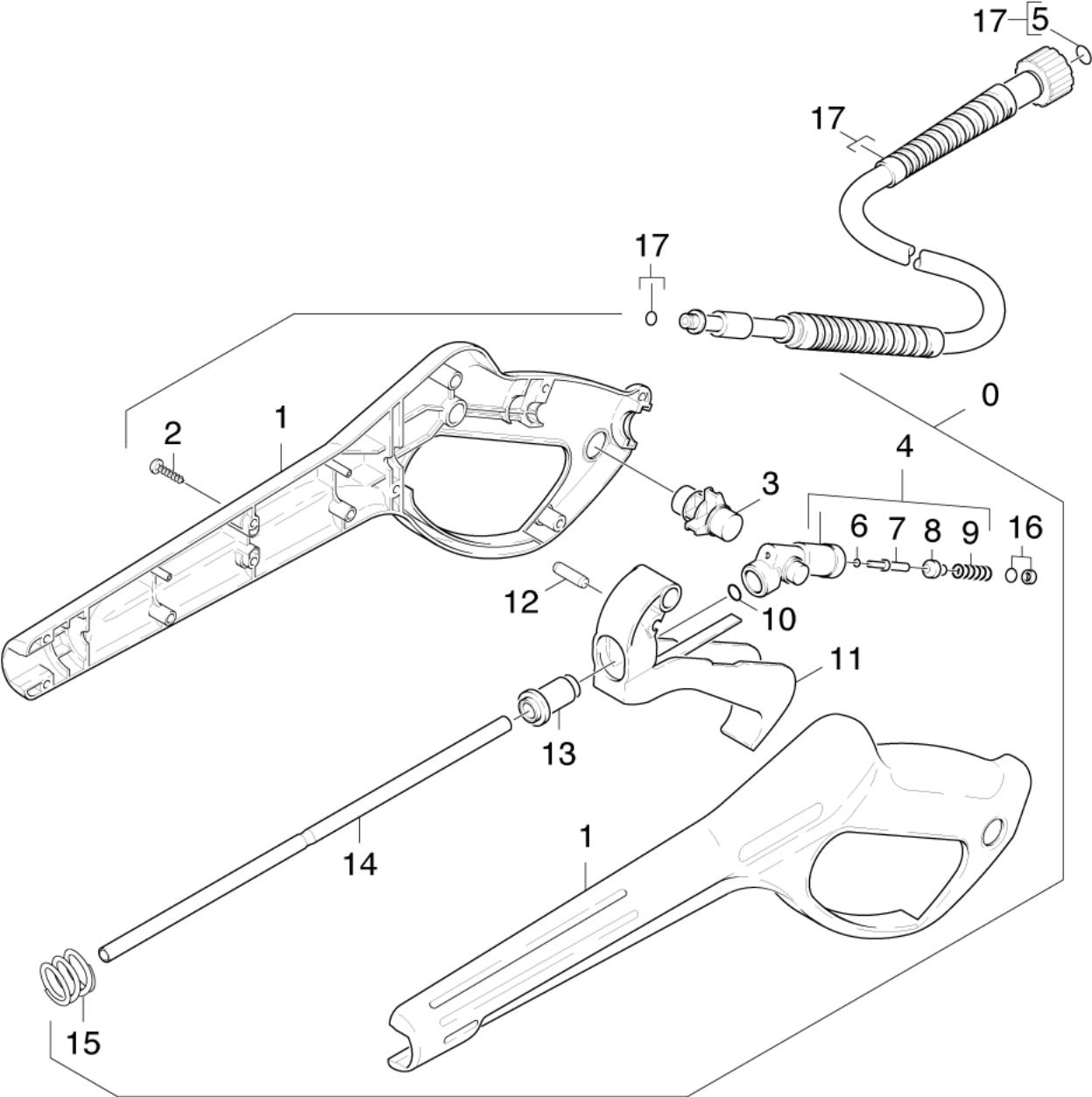
## 32 Transmission

| POS | Article no.                    | Description              | Quantity | Unit | valid from | valid until | Remark    |
|-----|--------------------------------|--------------------------|----------|------|------------|-------------|-----------|
|     | <b>Item text1:</b> 1.069-953.0 |                          |          |      |            |             |           |
| 20  | 7.777-999.0                    | Stockpiling discontinued | 1        | PC   | 10020      |             |           |
|     | <b>Item text1:</b> 1.069-956.0 |                          |          |      |            |             |           |
| 21  | 7.777-999.0                    | Stockpiling discontinued | 1        | PC   | 10000      |             |           |
|     | <b>Item text1:</b> 1.069-957.0 |                          |          |      |            |             |           |
| 1   | 6.964-092.0                    | Viscous oil 50ml         | 1        | PC   |            |             | VERSION 2 |
| 7   | 6.401-256.3                    | Wobble plate             | 1        | PC   |            | 363449      |           |
| 7   | 6.401-300.0                    | Wobble plate             | 1        | PC   | 363450     |             |           |

## 40 Accessories

---

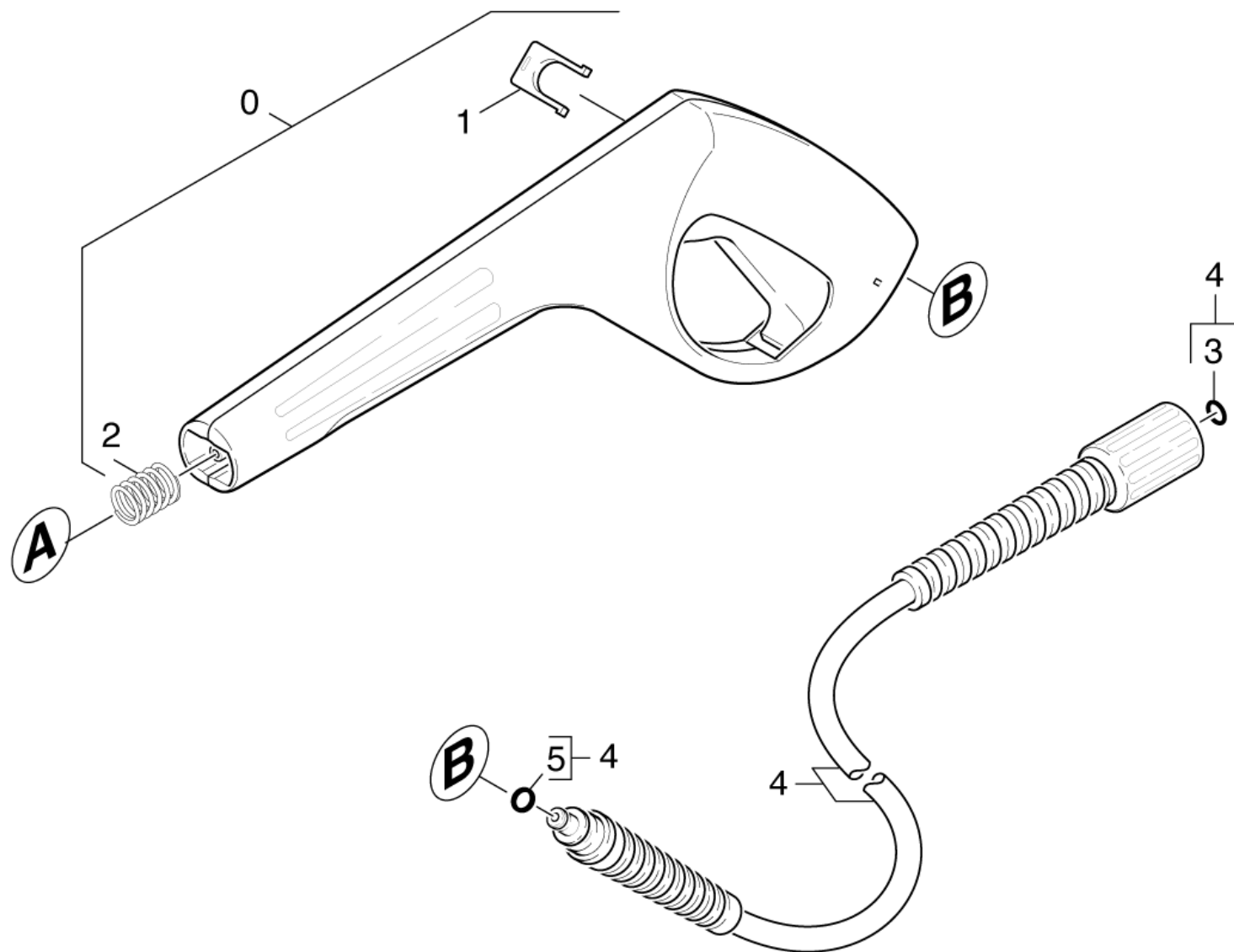
| POS | Description      | Quantity | Unit | Remark    |
|-----|------------------|----------|------|-----------|
| 41  | Hand trigger gun | 1        | PC   | VERSION 1 |
| 42  | Hand trigger gun | 1        | PC   | VERSION 2 |
| 43  | Hand trigger gun | 1        | PC   | VERSION 3 |
| 44  | Jet pipe         | 1        | PC   |           |
| 45  | Surface cleaner  | 1        | PC   | T 100     |
| 46  | Surface cleaner  | 1        | PC   | T 200     |
| 47  | Surface cleaner  | 1        | PC   | T 250     |
| 48  | Surface cleaner  | 1        | PC   | T 300     |
| 49  | Water filter     | 1        | PC   |           |





## 41 Hand trigger gun

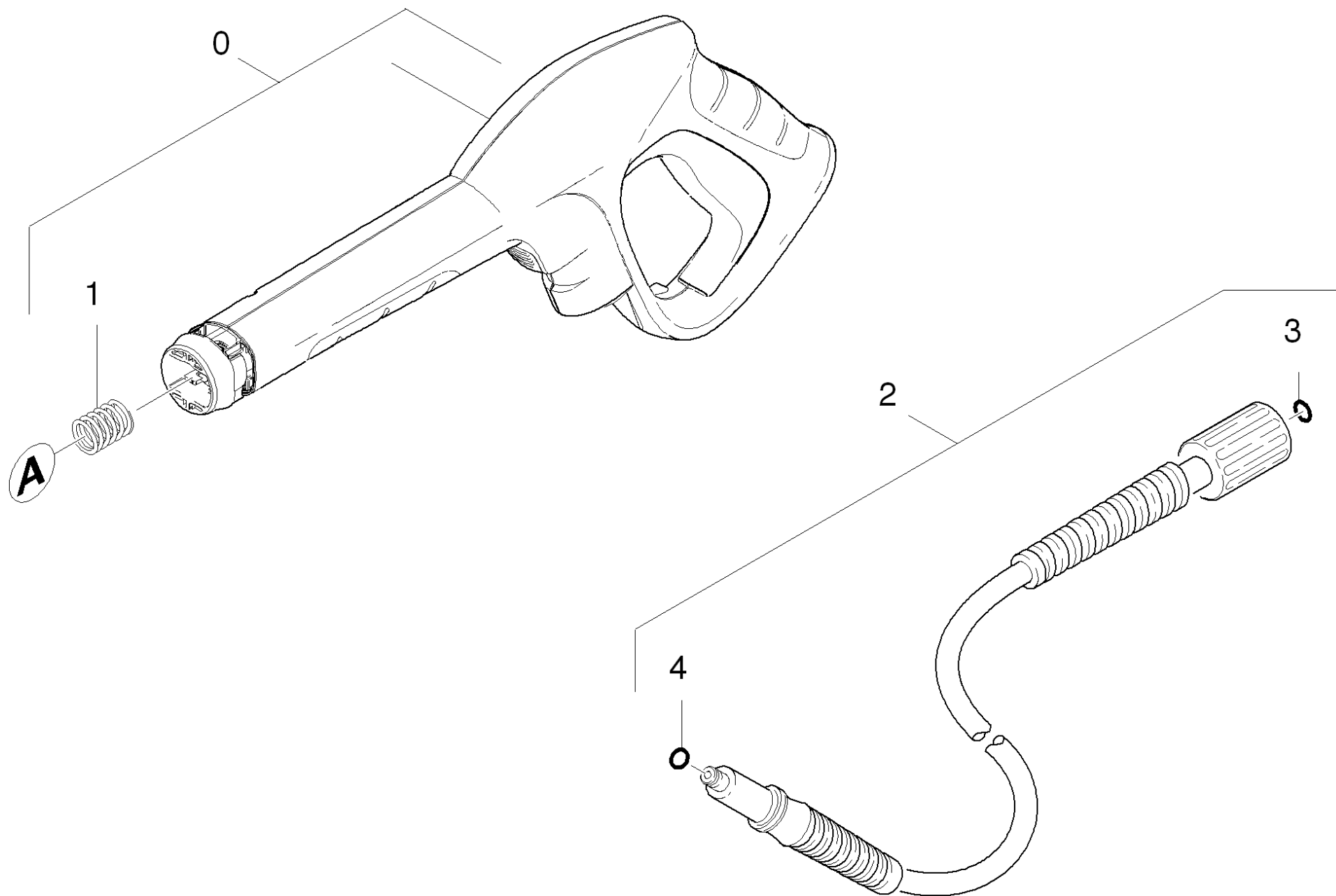
| POS | Article no. | Description                             | Quantity | Unit |
|-----|-------------|---|----------|------|
| 7   | 5.107-147.0 | Bar                                     | 1        | PC   |
| 1   | 5.321-512.0 | Handhold few                            | 1        | PC   |
| 9   | 5.332-157.0 | Helical spring                          | 1        | PC   |
| 3   | 5.481-189.0 | Lever locking part                      | 1        | PC   |
| 2   | 6.303-122.0 | M4 .2X13 DIN 7981 TORX T15 PAN HD HI/LO | 9        | PC   |
| 4   | 4.427-178.0 | Manifold complete                       | 1        | PC   |
| 6   | 7.362-502.0 | O-Ring seal 2,8x1,6-NBR 70 DIN 3770     | 1        | PC   |
| 16  | 6.362-498.0 | O-Ring seal 6,75x1,78 NBR 70            | 1        | PC   |
| 10  | 6.362-479.0 | O-Ring seal 7,59X 2,62                  | 1        | PC   |
| 12  | 5.314-082.0 | Pin -BONEZZI 12.022.706                 | 1        | PC   |
| 15  | 5.332-349.0 | Pressure spring                         | 1        | PC   |
| 5   | 2.880-990.0 | Spare part set O-Ring 5x -Kaercher      | 1        | PC   |
| 0   | 7.777-999.0 | Stockpiling discontinued                | 1        | PC   |
| 11  | 7.777-999.0 | Stockpiling discontinued                | 1        | PC   |
| 13  | 7.777-999.0 | Stockpiling discontinued                | 1        | PC   |
| 17  | 7.777-999.0 | Stockpiling discontinued                | 1        | PC   |
| 14  | 5.028-905.0 | Tube pistol                             | 1        | PC   |
| 8   | 5.582-058.0 | Valve disc                              | 1        | PC   |



## 42 Hand trigger gun

---

| POS | Article no. | Description                           | Quantity | Unit |
|-----|-------------|---------------------------------------|----------|------|
| 1   | 5.037-140.0 | Clamp                                 | 1        | PC   |
| 4   | 4.440-673.0 | High pressure hose 12/16MPa,Kaer.,60G | 1        | PC   |
| 3   | 2.880-154.0 | O-Ring kit                            | 1        | PC   |
| 5   | 6.363-198.0 | O-Ring seal 6x2 90 shore PUR          | 1        | PC   |
| 2   | 5.332-464.0 | Pressure spring                       | 1        | PC   |
| 0   | 7.777-999.0 | Stockpiling discontinued              | 1        | PC   |



## 43 Hand trigger gun

---

| <b>POS</b> | <b>Article no.</b> | <b>Description</b>                       | <b>Quantity</b> | <b>Unit</b> |
|------------|--------------------|--|-----------------|-------------|
| 0          | 2.642-889.0        | G 180 Q Trigger gun Quick Connect        | 1               | PC          |
| 2          | 2.643-909.0        | HK 12 high pressure hose set+trigger gun | 1               | PC          |
| 4          | 6.363-410.0        | O-Ring seal 5,7x1,78 NBR 90Shore         | 1               | PC          |
| 1          | 5.332-464.0        | Pressure spring                          | 1               | PC          |
| 3          | 2.880-990.0        | Spare part set O-Ring 5x -Kaercher       | 1               | PC          |

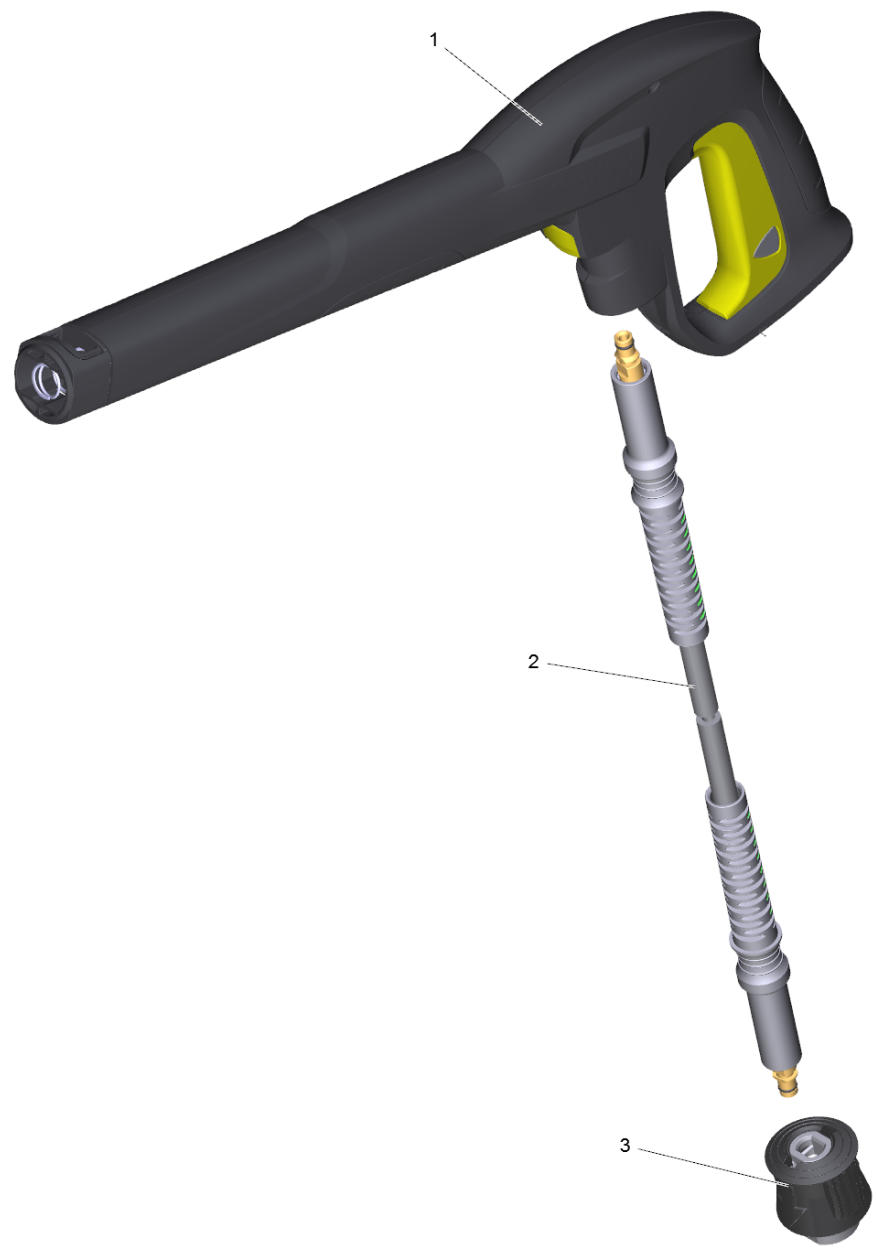


G 180 Q Trigger gun Quick Connect (2.642-889.0)

---

| <b>POS</b> | <b>Article no.</b> | <b>Description</b> | <b>Quantity</b> | <b>Unit</b> |
|------------|--------------------|--------------------|-----------------|-------------|
| 1          | 5.332-464.0        | Pressure spring    | 1               | PC          |

---





2 HK 12 high pressure hose set+trigger gun (2.643-909.0)

---

| <b>POS</b> | <b>Article no.</b> | <b>Description</b>                       | <b>Quantity</b> | <b>Unit</b> |
|------------|--------------------|--|-----------------|-------------|
| 1          | 2.642-889.0        | G 180 Q Trigger gun Quick Connect        | 1               | PC          |
| 2          | 6.396-540.0        | High pressure hose 18MPa/12 60°C QC B    | 1               | PC          |
| 3          | 4.470-041.0        | High pressure quick-fitting pipe union A | 1               | PC          |

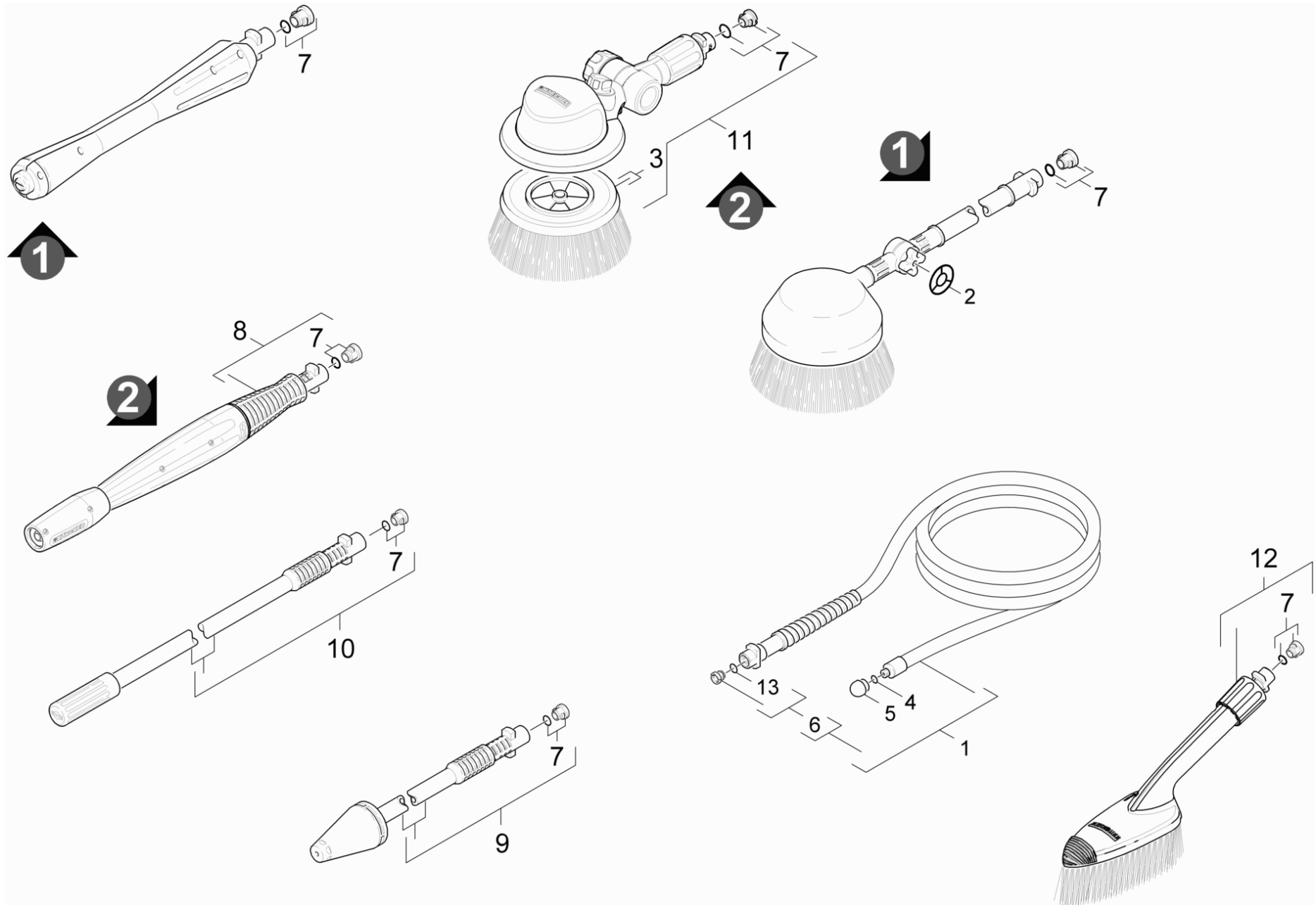


1 G 180 Q Trigger gun Quick Connect (2.642-889.0)

---

| POS | Article no. | Description     | Quantity | Unit |
|-----|-------------|-----------------|----------|------|
| 1   | 5.332-464.0 | Pressure spring | 1        | PC   |

---



## 44 Jet pipe

| POS | Article no.   | Description                  | Quantity | Unit | Remark  |
|-----|---|------------------------------|----------|------|---------|
| 12  | 2.640-589.0   | Brush lengthwise             | 1        | PC   |         |
| 3   | 5.762-331.0   | Carrier brushes              | 1        | PC   |         |
| 9   | 2.642-728.0   | DB 145 rotor nozzle packaged | 1        | PC   | VERS. 2 |
|     | <b>Item text1:</b> 1.069-121.0/-320.0/-800.0/-894.0/-895.0 /918.0/-919.0/-926.0/-939.0/-941.0/-942.0/-953.0/-956.0/-957.0 |                              |          |      |         |
| 9   | 2.643-243.0   | DB 160 rotor nozzle          | 1        | PC   | VERS. 1 |
|     | <b>Item text1:</b> / 1.069-800.0 / -894.0 / -895.0  |                              |          |      |         |
| 9   | 2.643-243.0   | DB 160 rotor nozzle          | 1        | PC   |         |
| 2   | 6.365-364.0   | Form seal                    | 1        | PC   |         |
| 5   | 5.763-022.0   | Nozzle Kärcher               | 1        | PC   |         |
| 13  | 6.362-642.0   | O-Ring d. 7,65x1,78 -NBR 80  | 1        | PC   |         |
| 4   | 6.362-388.0   | O-Ring seal 8,0x1,5 -EPDM 70 | 1        | PC   |         |
| 7   | 2.640-729.0   | O-Ring seal set              | 3        | PC   |         |
| 1   | 2.637-729.0   | PC 7.5 pipe cleaning set     | 1        | PC   |         |
| 6   | 2.883-112.0   | Spare part set screw plug    | 1        | PC   |         |
| 10  | 7.777-999.0   | Stockpiling discontinued     | 1        | PC   |         |
| 8   | 4.760-524.0   | VPS K5 033                   | 1        | PC   |         |
| 11  | 2.643-236.0   | WB 100 washing brush         | 1        | PC   |         |

1 PC 7.5 pipe cleaning set (2.637-729.0)

---

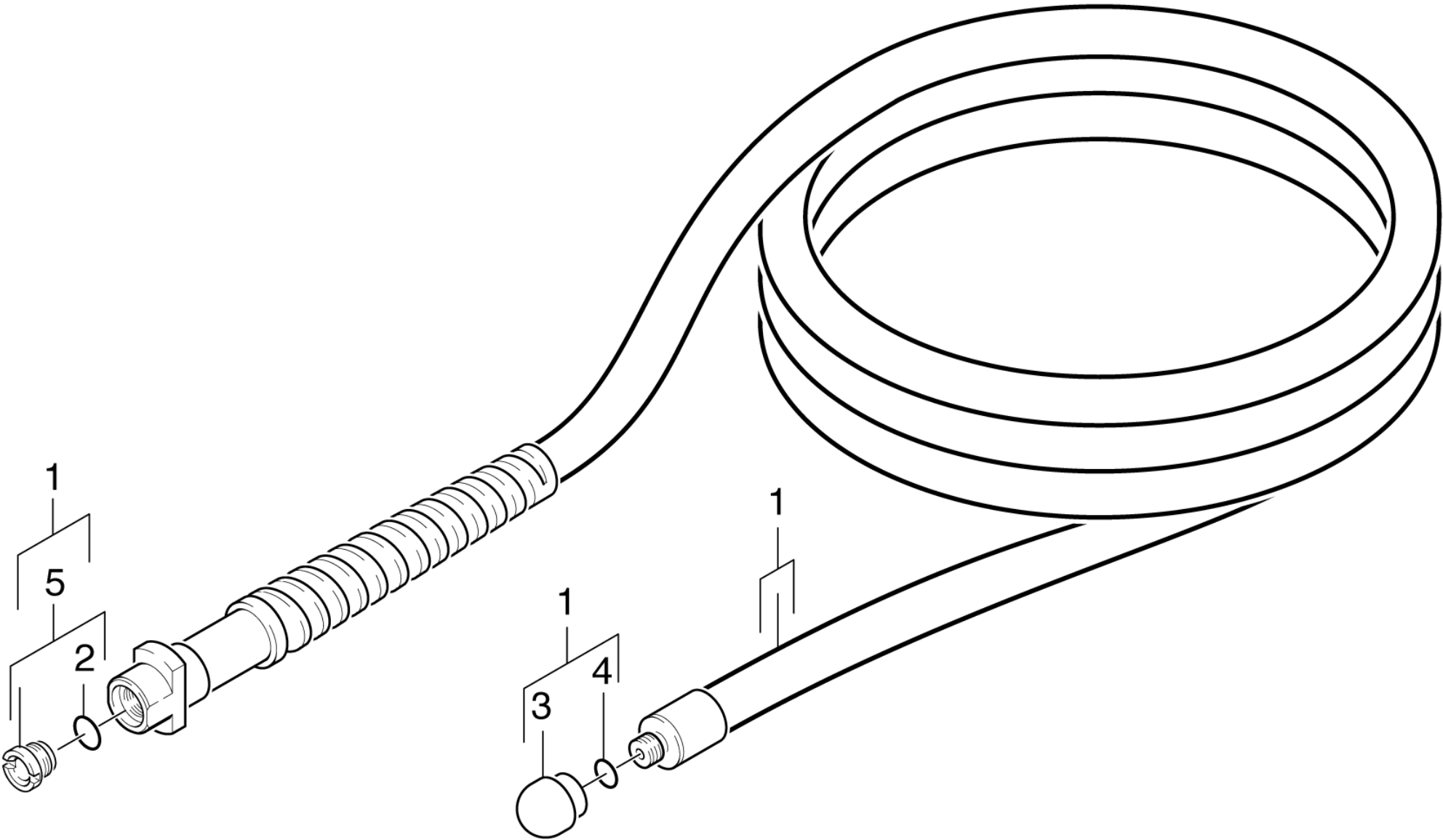
| <b>POS</b> | <b>Article no.</b> | <b>Description</b>                 | <b>Quantity</b> | <b>Unit</b> |
|------------|--------------------|------------------------------------|-----------------|-------------|
| 100        | 5.952-715.0        | Spare parts list pipe cleaning set | 1               | PC          |

---

100 Spare parts list pipe cleaning set (5.952-715.0)

---

| <b>POS</b> | <b>Description</b> | <b>Quantity</b> | <b>Unit</b> | <b>Remark</b> |
|------------|--------------------|-----------------|-------------|---------------|
| 10         | Pipe cleaning hose | 1               | PC          | VERSION 1     |
| 20         | Pipe cleaning hose | 1               | PC          | VERSION 2     |

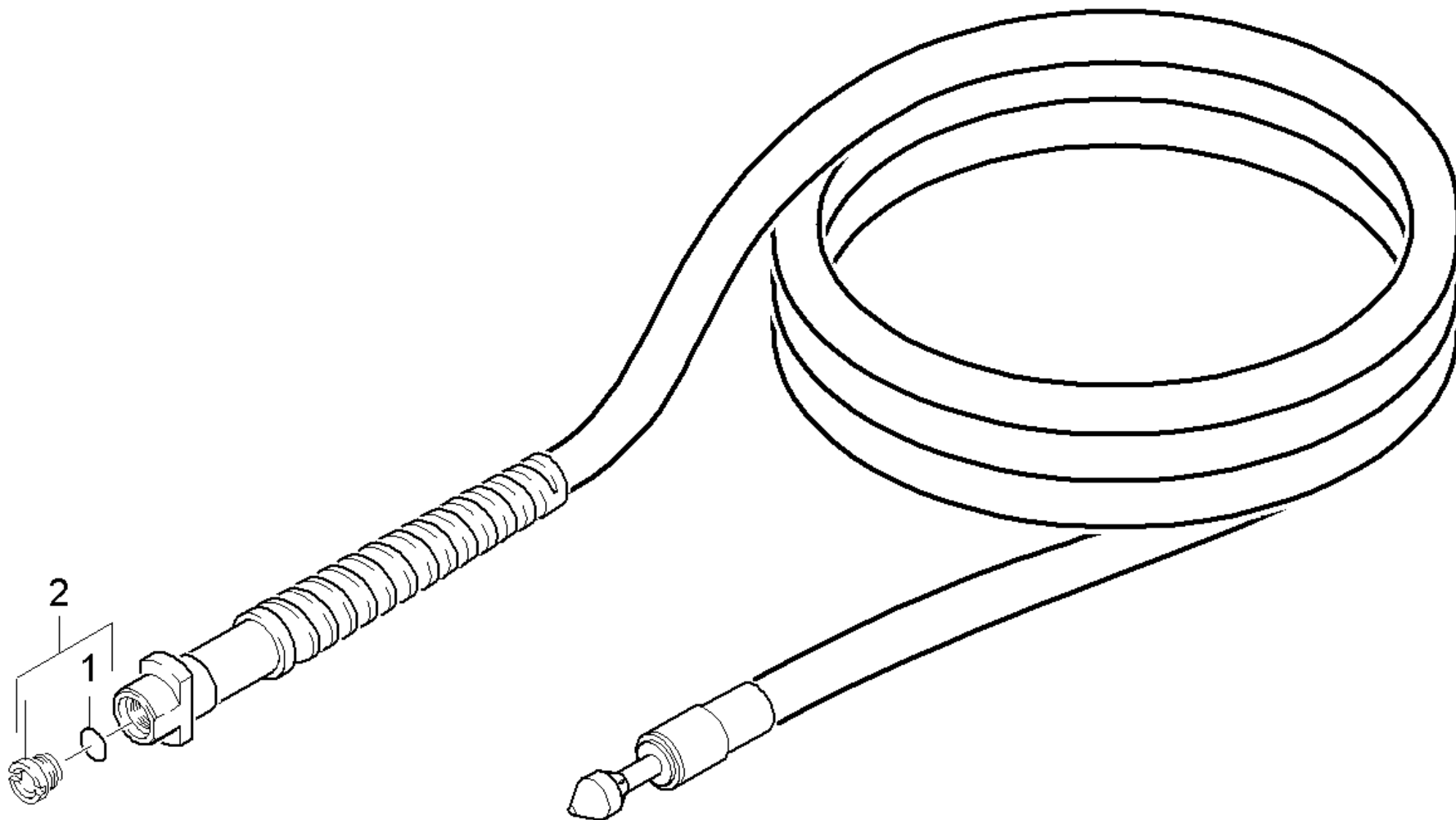




## 10 Pipe cleaning hose

---

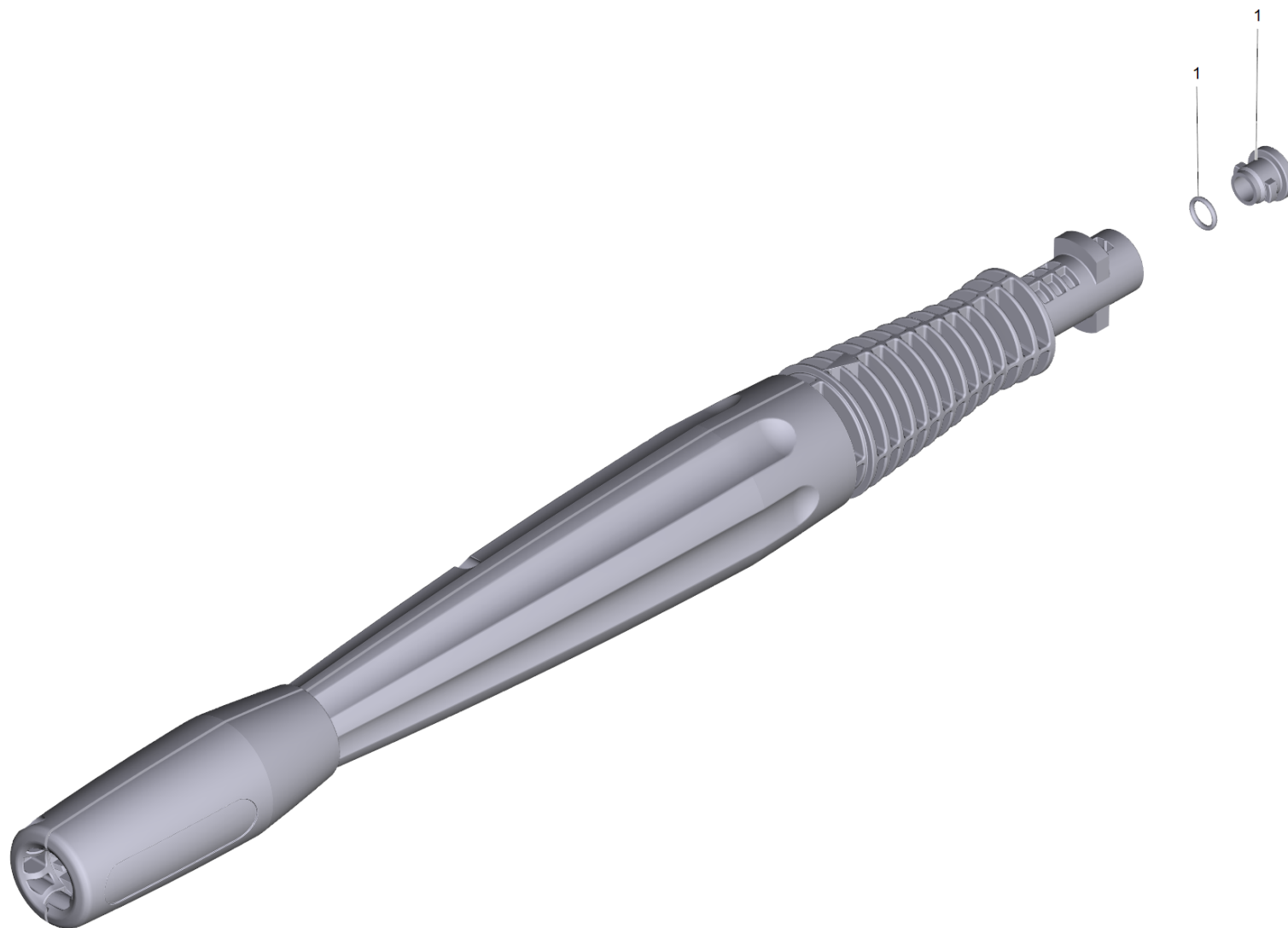
| POS | Article no.                      | Description                    | Quantity | Unit |
|-----|----------------------------------|--------------------------------|----------|------|
| 3   | 5.763-022.0                      | Nozzle Kärcher                 | 1        | PC   |
| 2   | 6.362-182.0                      | O-Ring seal 7,65x1,78 - NBR 90 | 1        | PC   |
| 4   | 6.362-388.0                      | O-Ring seal 8,0x1,5 -EPDM 70   | 1        | PC   |
| 5   | 2.883-112.0                      | Spare part set screw plug      | 1        | PC   |
|     | <b>Item text1:</b> / 2.637-729.0 |                                |          |      |
| 1   | 7.777-999.0                      | Stockpiling discontinued       | 1        | PC   |



20 Pipe cleaning hose

---

| <b>POS</b> | <b>Article no.</b> | <b>Description</b>          | <b>Quantity</b> | <b>Unit</b> |
|------------|--------------------|-----------------------------|-----------------|-------------|
| 1          | 6.362-642.0        | O-Ring d. 7,65x1,78 -NBR 80 | 1               | PC          |
| 2          | 2.883-112.0        | Spare part set screw plug   | 1               | PC          |



| <b>POS</b> | <b>Article no.</b> | <b>Description</b> | <b>Quantity</b> | <b>Unit</b> |
|------------|--------------------|--------------------|-----------------|-------------|
| 1          | 2.640-729.0        | O-Ring seal set    | 1               | PC          |

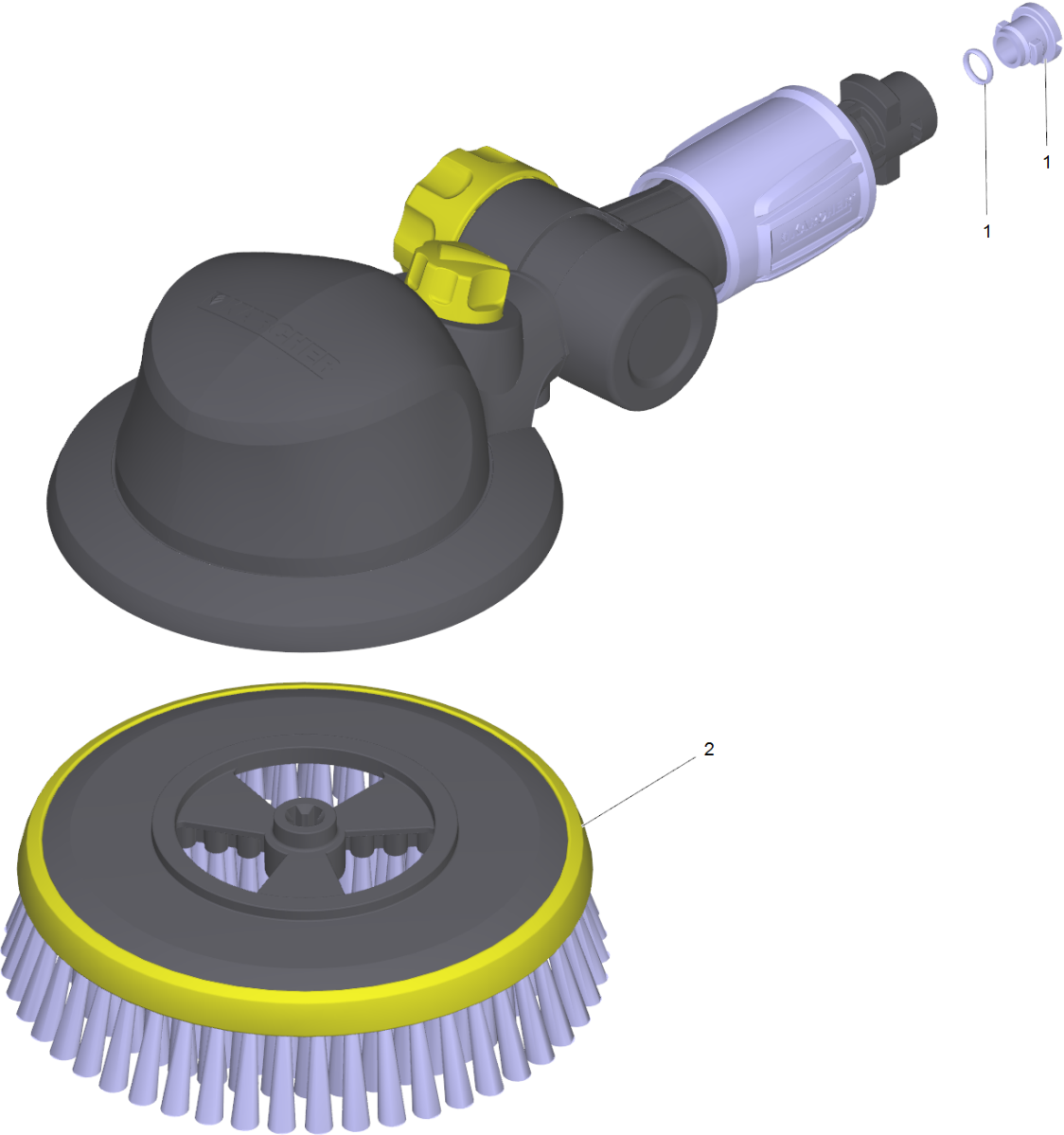


9 DB 145 rotor nozzle packaged (2.642-728.0)

---

| <b>POS</b> | <b>Article no.</b> | <b>Description</b> | <b>Quantity</b> | <b>Unit</b> |
|------------|--------------------|--------------------|-----------------|-------------|
| 9500       | 2.640-729.0        | O-Ring seal set    | 1               | PC          |

---

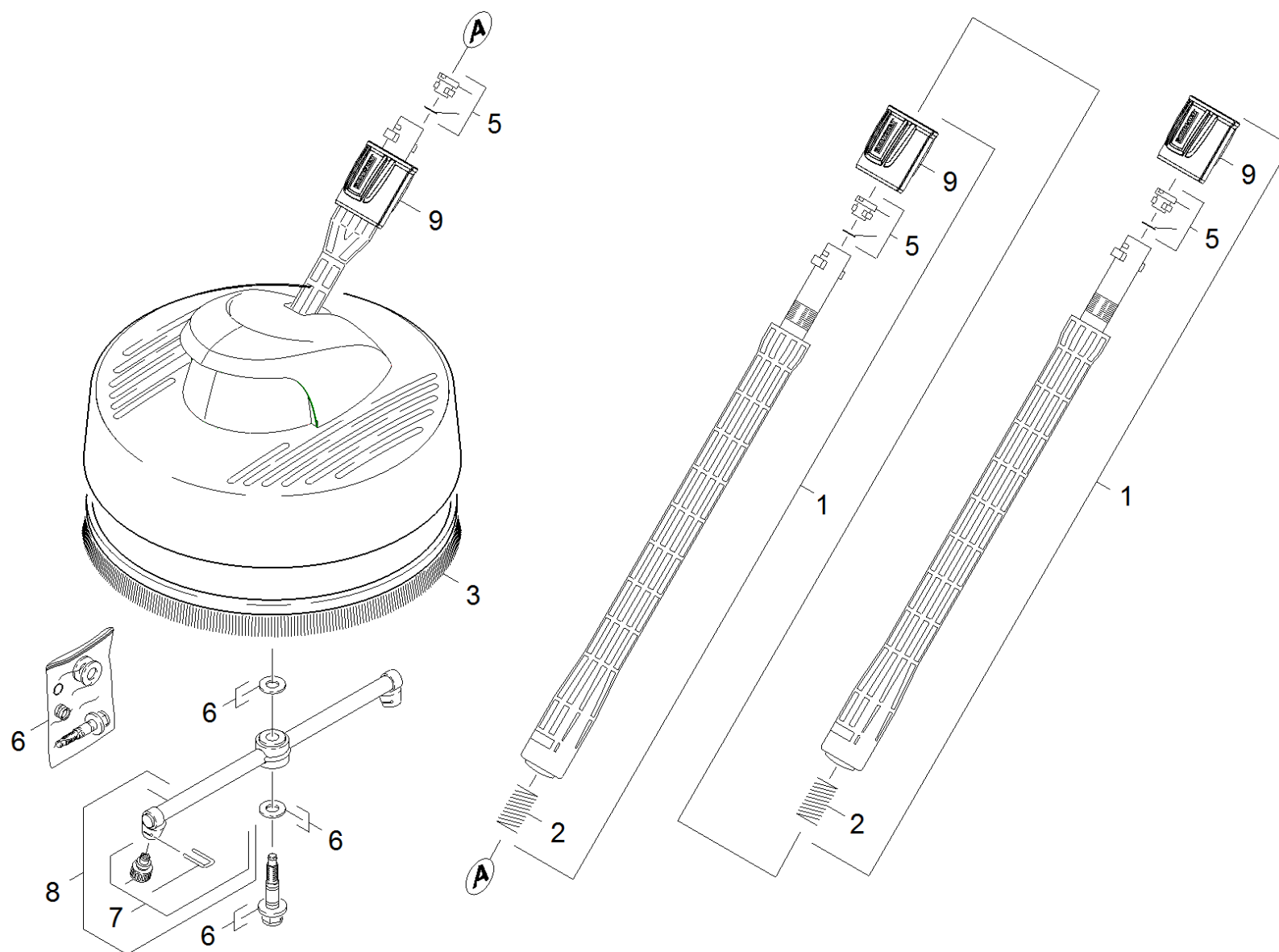




11 WB 100 washing brush (2.643-236.0)

---

| <b>POS</b> | <b>Article no.</b> | <b>Description</b> | <b>Quantity</b> | <b>Unit</b> |
|------------|--------------------|--------------------|-----------------|-------------|
| 2          | 5.762-331.0        | Carrier brushes    | 1               | PC          |
| 1          | 2.640-729.0        | O-Ring seal set    | 1               | PC          |



## 45 Surface cleaner

---

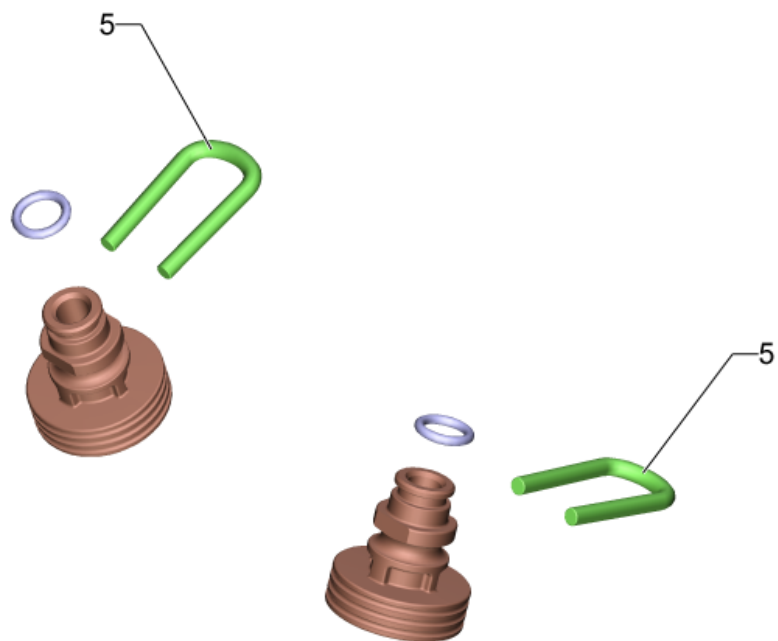
| POS | Article no. | Description                             | Quantity | Unit |
|-----|-------------|---|----------|------|
| 9   | 5.310-160.0 | Nut Kaercher                            | 3        | PC   |
| 5   | 2.640-729.0 | O-Ring seal set                         | 3        | PC   |
| 2   | 5.332-464.0 | Pressure spring                         | 2        | PC   |
| 1   | 2.643-240.0 | Single-step jet pipe extension          | 2        | PC   |
| 6   | 2.883-994.0 | Spare part set set of gaskets neutrally | 1        | PC   |
| 7   | 2.643-338.0 | Spare parts nozzles T-Racer             | 1        | PC   |
| 8   | 7.777-999.0 | Stockpiling discontinued                | 1        | PC   |
| 3   | 6.369-918.0 | Strip brush                             | 1        | PC   |




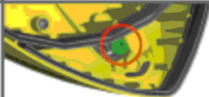









1 Single-step jet pipe extension (2.643-240.0)




---

| <b>POS</b> | <b>Article no.</b> | <b>Description</b> | <b>Quantity</b> | <b>Unit</b> |
|------------|--------------------|--------------------|-----------------|-------------|
| 10         | 5.310-160.0        | Nut Kaercher       | 1               | PC          |
| 3          | 2.640-729.0        | O-Ring seal set    | 1               | PC          |
| 8          | 5.332-464.0        | Pressure spring    | 1               | PC          |



|  |           |   |   |
|--|-----------|---|---|
| T 50, T 70, T 80, T 100<br>T 150, T 200, T 250,<br>T 300, T 400, T 450,<br>T 550 | K 2 - K 5 |  |   |
|  | K 6 - K 7 |  |   |
| T 400, T 450<br>T 550  |           |  |  |
| T 200, T 250   | K 6 - K 7 |  |  |
| T 350 Gas  |           |  |  |

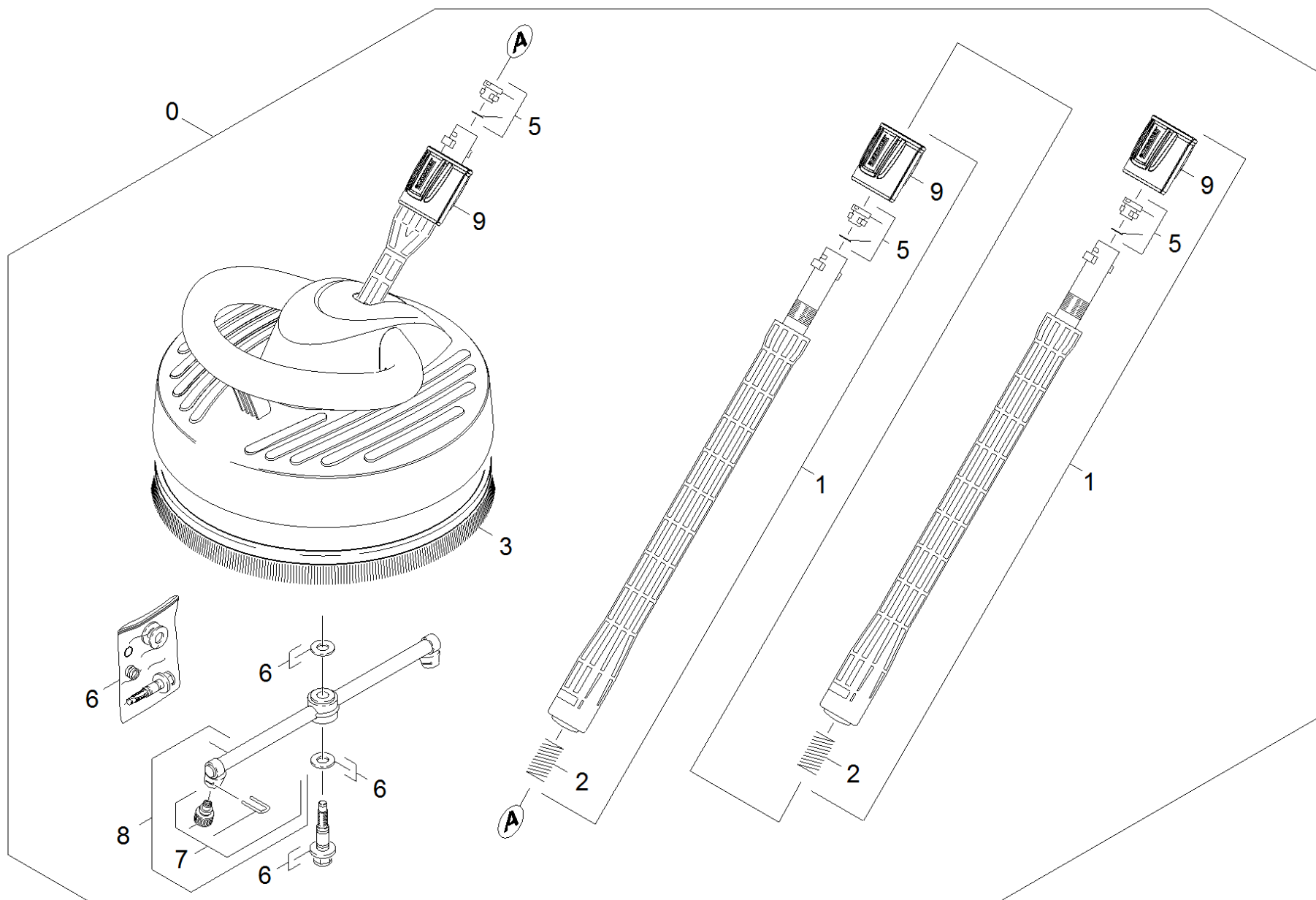
|   |           |  |
|---|-----------|--|
|  | K 3 - K 5 |   |
|   | K 6 - K 7 |  |

|  |           |   |
|--|-----------|---|
|  | K 2       |  |
|  | K 3 - K 5 |  |

7 Spare parts nozzles T-Racer (2.643-338.0)

| POS | Article no. | Description              | Quantity | Unit | Remark                              | Foot note text |
|-----|-------------|--------------------------|----------|------|-------------------------------------|----------------|
| 5   | 5.037-151.0 | Clamp                    | 2        | PC   |                                     |                |
| 3   |             | Nozzle complete 15027    | 1        | PC   |                                     | BLACK          |
|     |             | <b>Item text1:</b> 027   |          |      |                                     |                |
| 4   | 4.764-190.0 | Nozzle kpl. 75047        | 1        | PC   |                                     | GREEN          |
|     |             | <b>Item text1:</b> 047   |          |      |                                     |                |
| 1   | 7.777-999.0 | Stockpiling discontinued | 1        | PC   | <13 MPa (<130 bar)                  | GREY           |
|     |             | <b>Item text1:</b> 015   |          |      |                                     |                |
| 2   | 7.777-999.0 | Stockpiling discontinued | 1        | PC   | 13 MPa (130 bar) - 16 MPa (160 bar) | YELLOW         |
|     |             | <b>Item text1:</b> 020   |          |      |                                     |                |





## 46 Surface cleaner

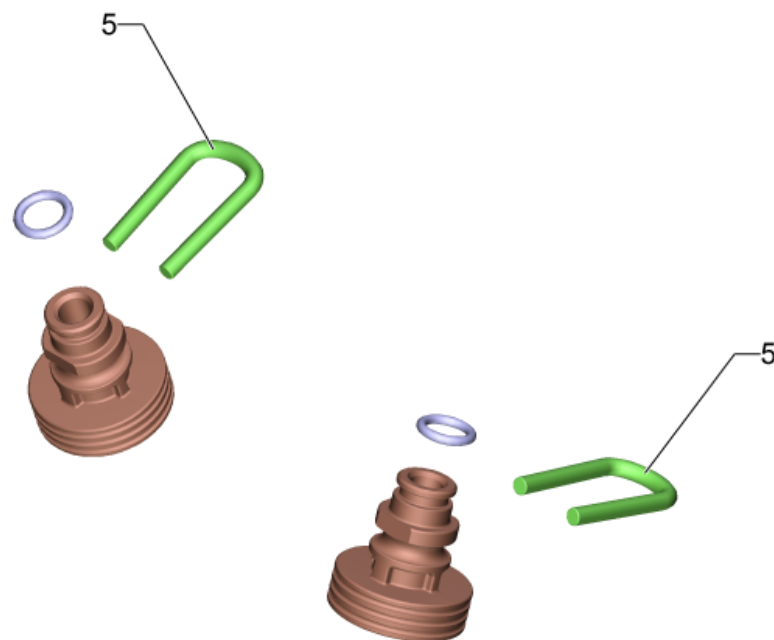
| POS | Article no. | Description                             | Quantity | Unit | Foot note text |
|-----|-------------|---|----------|------|----------------|
| 3   | 9.002-592.3 | Brush linear c/imballo                  | 1        | PC   |                |
| 9   | 5.310-160.0 | Nut Kaercher                            | 3        | PC   |                |
| 5   | 2.640-729.0 | O-Ring seal set                         | 3        | PC   |                |
| 2   | 5.332-464.0 | Pressure spring                         | 2        | PC   |                |
| 1   | 2.643-240.0 | Single-step jet pipe extension          | 2        | PC   |                |
| 8   | 2.885-003.0 | Spare part set rotor neutrally          | 1        | PC   |                |
| 6   | 2.883-994.0 | Spare part set set of gaskets neutrally | 1        | PC   |                |
| 7   | 2.643-338.0 | Spare parts nozzles T-Racer             | 1        | PC   | GREY           |
| 7   | 7.777-999.0 | Stockpiling discontinued                | 1        | PC   | BLACK          |
| 0   | 2.641-361.0 | T 200 verpackt                          | 1        | PC   |                |




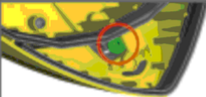









1 Single-step jet pipe extension (2.643-240.0)




---

| <b>POS</b> | <b>Article no.</b> | <b>Description</b> | <b>Quantity</b> | <b>Unit</b> |
|------------|--------------------|--------------------|-----------------|-------------|
| 10         | 5.310-160.0        | Nut Kaercher       | 1               | PC          |
| 3          | 2.640-729.0        | O-Ring seal set    | 1               | PC          |
| 8          | 5.332-464.0        | Pressure spring    | 1               | PC          |



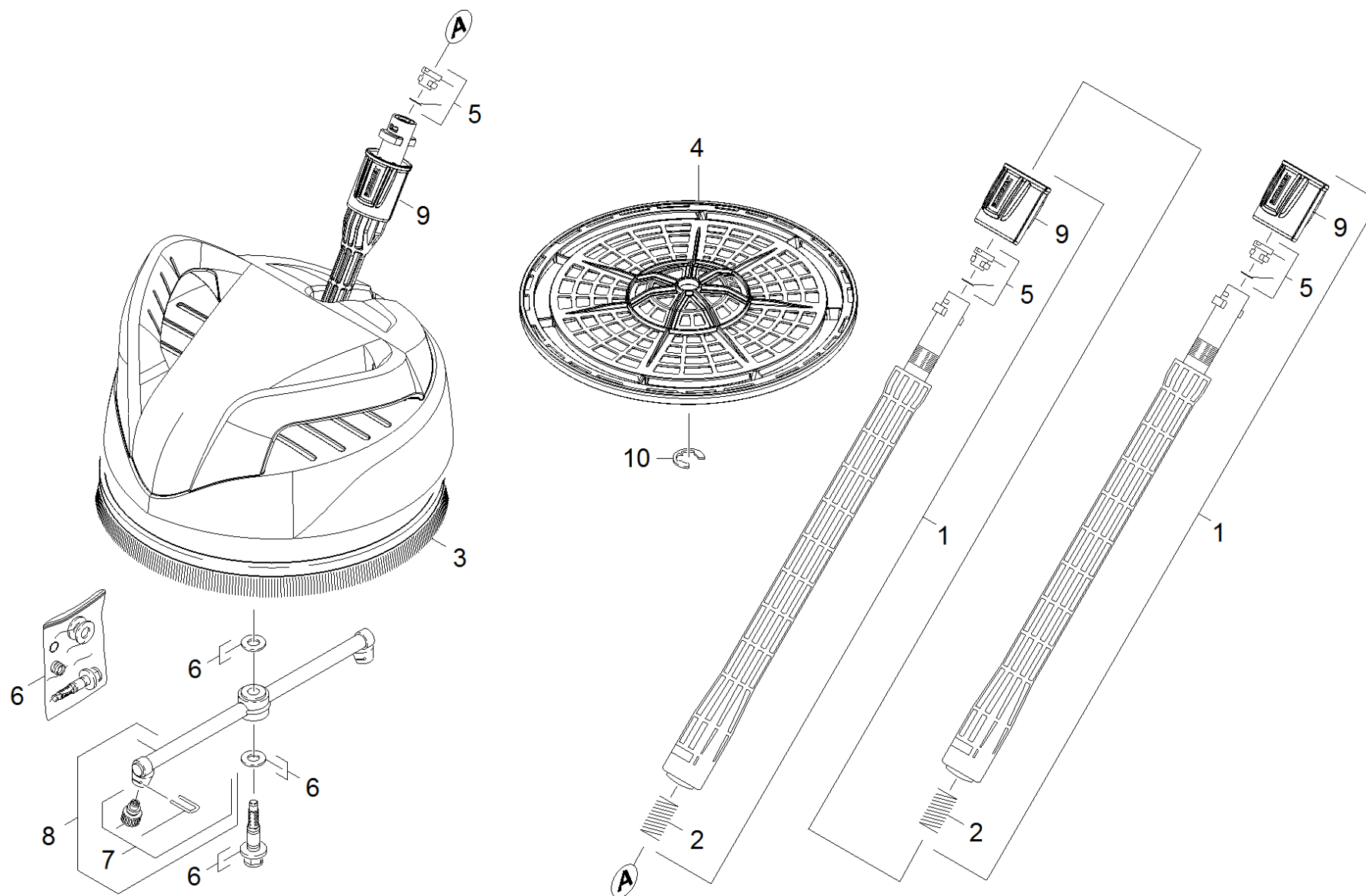
|  |           |   |   |
|--|-----------|---|---|
| T 50, T 70, T 80, T 100<br>T 150, T 200, T 250,<br>T 300, T 400, T 450,<br>T 550 | K 2 - K 5 |  |   |
|  | K 6 - K 7 |  |   |
| T 400, T 450<br>T 550  |           |  |  |
| T 200, T 250   | K 6 - K 7 |  |  |
| T 350 Gas  |           |  |  |

|   |           |  |
|---|-----------|--|
|  | K 3 - K 5 |   |
|   | K 6 - K 7 |  |

|  |           |   |
|--|-----------|---|
|  | K 2       |  |
|  | K 3 - K 5 |  |

7 Spare parts nozzles T-Racer (2.643-338.0)

| POS | Article no. | Description              | Quantity | Unit | Remark                              | Foot note text |
|-----|-------------|--------------------------|----------|------|-------------------------------------|----------------|
| 5   | 5.037-151.0 | Clamp                    | 2        | PC   |                                     |                |
| 3   |             | Nozzle complete 15027    | 1        | PC   |                                     | BLACK          |
|     |             | <b>Item text1: 027</b>   |          |      |                                     |                |
| 4   | 4.764-190.0 | Nozzle kpl. 75047        | 1        | PC   |                                     | GREEN          |
|     |             | <b>Item text1: 047</b>   |          |      |                                     |                |
| 1   | 7.777-999.0 | Stockpiling discontinued | 1        | PC   | <13 MPa (<130 bar)                  | GREY           |
|     |             | <b>Item text1: 015</b>   |          |      |                                     |                |
| 2   | 7.777-999.0 | Stockpiling discontinued | 1        | PC   | 13 MPa (130 bar) - 16 MPa (160 bar) | YELLOW         |
|     |             | <b>Item text1: 020</b>   |          |      |                                     |                |





## 47 Surface cleaner

---

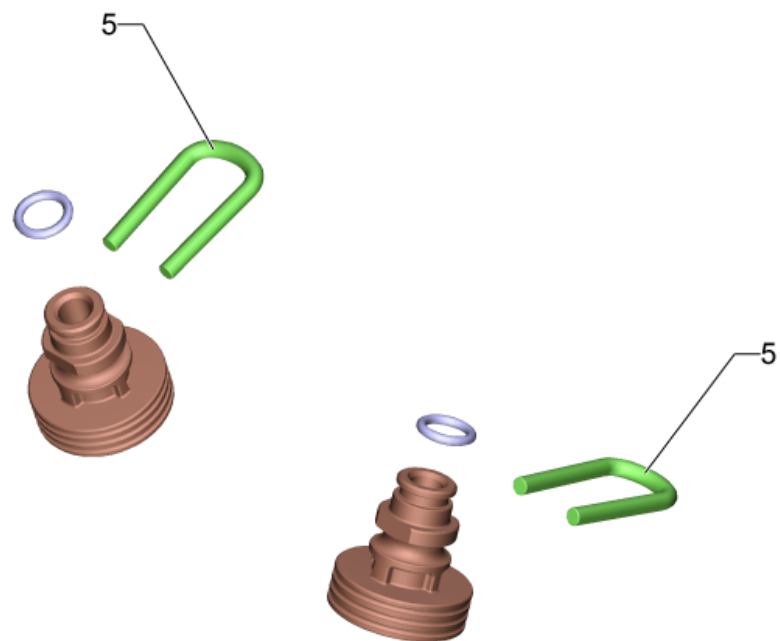
| <b>POS</b> | <b>Article no.</b> | <b>Description</b>              | <b>Quantity</b> | <b>Unit</b> |
|------------|--------------------|---------------------------------|-----------------|-------------|
| 3          | 9.002-592.3        | Brush linear c/imballo          | 1               | PC          |
| 4          | 5.394-865.0        | Grate T 250 Plus                | 1               | PC          |
| 10         | 7.343-206.0        | Lock washer 12-2.1030 DIN 6799  | 1               | PC          |
| 9          | 5.310-160.0        | Nut Kaercher                    | 3               | PC          |
| 5          | 2.640-729.0        | O-Ring seal set                 | 3               | PC          |
| 2          | 5.332-464.0        | Pressure spring                 | 2               | PC          |
| 1          | 2.643-240.0        | Single-step jet pipe extension  | 2               | PC          |
| 8          | 2.885-182.0        | Spare part set rotor T 250 plus | 1               | PC          |
| 7          | 2.643-338.0        | Spare parts nozzles T-Racer     | 1               | PC          |
| 6          | 7.777-999.0        | Stockpiling discontinued        | 1               | PC          |




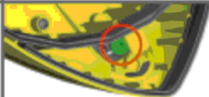









1 Single-step jet pipe extension (2.643-240.0)




---

| <b>POS</b> | <b>Article no.</b> | <b>Description</b> | <b>Quantity</b> | <b>Unit</b> |
|------------|--------------------|--------------------|-----------------|-------------|
| 10         | 5.310-160.0        | Nut Kaercher       | 1               | PC          |
| 3          | 2.640-729.0        | O-Ring seal set    | 1               | PC          |
| 8          | 5.332-464.0        | Pressure spring    | 1               | PC          |



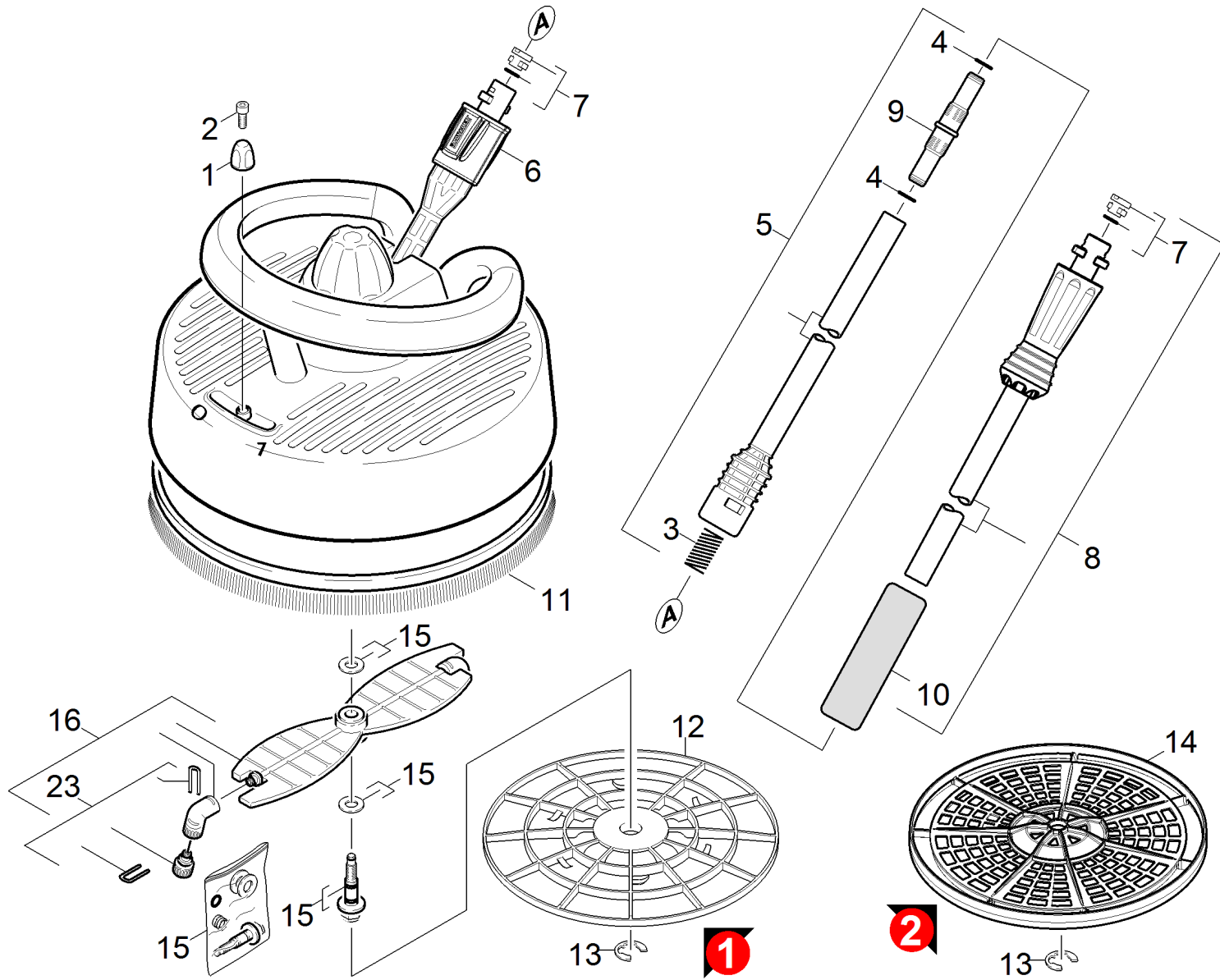
|  |           |   |   |
|--|-----------|---|---|
| T 50, T 70, T 80, T 100<br>T 150, T 200, T 250,<br>T 300, T 400, T 450,<br>T 550 | K 2 - K 5 |  |   |
|  | K 6 - K 7 |  |   |
| T 400, T 450<br>T 550  |           |  |  |
| T 200, T 250   | K 6 - K 7 |  |  |
| T 350 Gas  |           |  |  |

|   |           |  |
|---|-----------|--|
|  | K 3 - K 5 |   |
|   | K 6 - K 7 |  |

|  |           |   |
|--|-----------|---|
|  | K 2       |  |
|  | K 3 - K 5 |  |

7 Spare parts nozzles T-Racer (2.643-338.0)

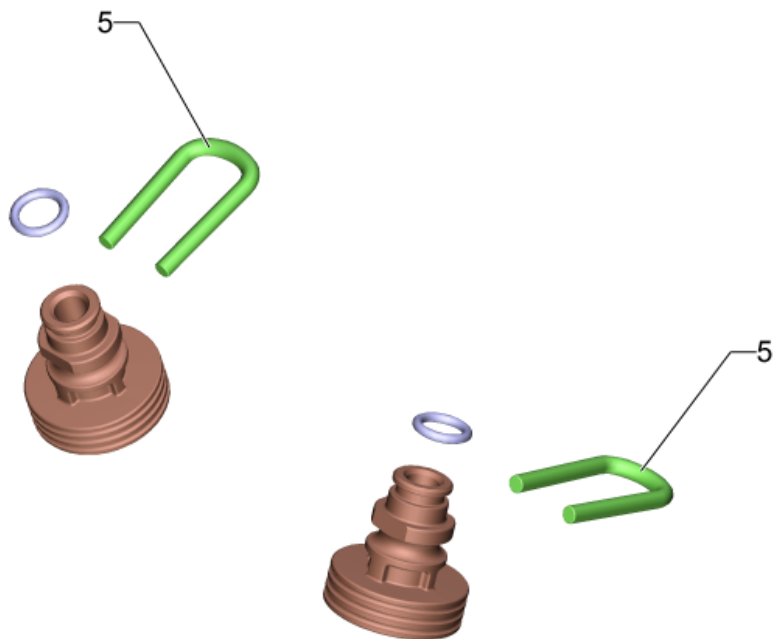
| POS | Article no. | Description              | Quantity | Unit | Remark                              | Foot note text |
|-----|-------------|--------------------------|----------|------|-------------------------------------|----------------|
| 5   | 5.037-151.0 | Clamp                    | 2        | PC   |                                     |                |
| 3   |             | Nozzle complete 15027    | 1        | PC   |                                     | BLACK          |
|     |             | <b>Item text1:</b> 027   |          |      |                                     |                |
| 4   | 4.764-190.0 | Nozzle kpl. 75047        | 1        | PC   |                                     | GREEN          |
|     |             | <b>Item text1:</b> 047   |          |      |                                     |                |
| 1   | 7.777-999.0 | Stockpiling discontinued | 1        | PC   | <13 MPa (<130 bar)                  | GREY           |
|     |             | <b>Item text1:</b> 015   |          |      |                                     |                |
| 2   | 7.777-999.0 | Stockpiling discontinued | 1        | PC   | 13 MPa (130 bar) - 16 MPa (160 bar) | YELLOW         |
|     |             | <b>Item text1:</b> 020   |          |      |                                     |                |




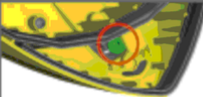









## 48 Surface cleaner




| POS | Article no. | Description                         | Quantity | Unit |
|-----|-------------|-------------------------------------|----------|------|
| 9   | 5.471-105.0 | Coupling element jet pipe extension | 1        | PC   |
| 14  | 5.394-872.0 | Grate T 300 Plus                    | 1        | PC   |
| 10  | 6.321-160.0 | Handhold foamed material            | 1        | PC   |
| 5   | 4.760-495.0 | Jet pipe                            | 1        | PC   |
| 8   | 4.760-688.0 | Jet pipe PS                         | 1        | PC   |
| 13  | 7.343-206.0 | Lock washer 12-2.1030 DIN 6799      | 1        | PC   |
| 6   | 5.310-160.0 | Nut Kaercher                        | 1        | PC   |
| 4   | 6.363-615.0 | O-Ring seal 11 x 1,5 -NBR70         | 1        | PC   |
| 7   | 2.640-729.0 | O-Ring seal set                     | 2        | PC   |
| 3   | 5.332-464.0 | Pressure spring                     | 1        | PC   |
| 12  | 5.394-661.0 | Protection part                     | 1        | PC   |
| 2   | 6.303-557.0 | Screw 3x12 Kombitorx T8             | 1        | PC   |
| 16  | 2.883-973.0 | Spare part set rotor                | 1        | PC   |
| 23  | 2.643-338.0 | Spare parts nozzles T-Racer         | 1        | PC   |
| 1   | 7.777-999.0 | Stockpiling discontinued            | 1        | PC   |
| 15  | 7.777-999.0 | Stockpiling discontinued            | 1        | PC   |
| 11  | 6.369-738.0 | Strip brush                         | 1        | PC   |





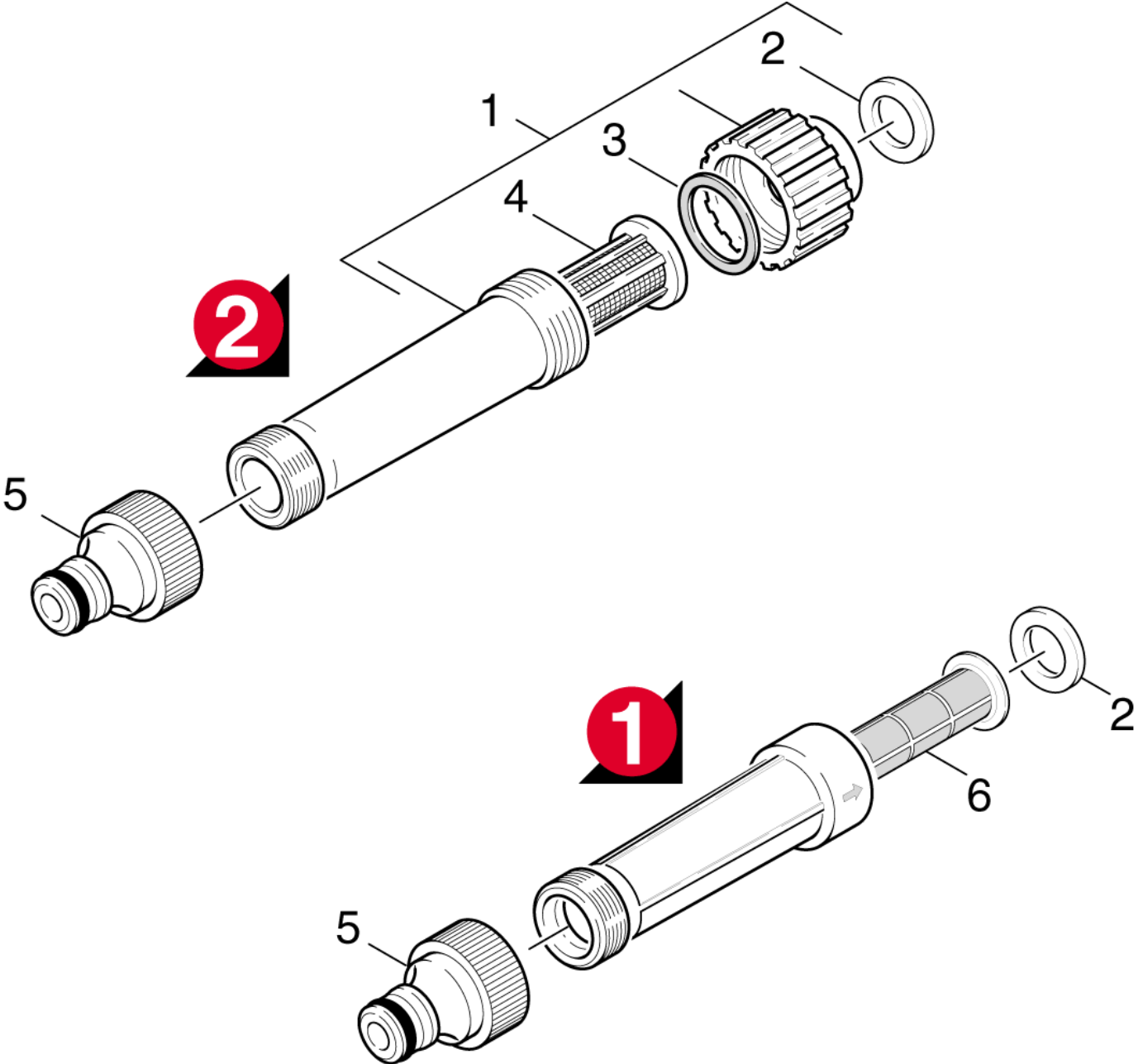
|  |           |   |   |
|--|-----------|---|---|
| T 50, T 70, T 80, T 100<br>T 150, T 200, T 250,<br>T 300, T 400, T 450,<br>T 550 | K 2 - K 5 |  |   |
|  | K 6 - K 7 |  |   |
| T 400, T 450<br>T 550  |           |  |  |
| T 200, T 250   | K 6 - K 7 |  |  |
| T 350 Gas  |           |  |  |

|   |           |  |
|---|-----------|--|
|  | K 3 - K 5 |   |
|   | K 6 - K 7 |  |

|  |           |   |
|--|-----------|---|
|  | K 2       |  |
|  | K 3 - K 5 |  |

23 Spare parts nozzles T-Racer (2.643-338.0)

| POS | Article no. | Description              | Quantity | Unit | Remark                              | Foot note text |
|-----|-------------|--------------------------|----------|------|-------------------------------------|----------------|
| 5   | 5.037-151.0 | Clamp                    | 2        | PC   |                                     |                |
| 3   |             | Nozzle complete 15027    | 1        | PC   |                                     | BLACK          |
|     |             | <b>Item text1:</b> 027   |          |      |                                     |                |
| 4   | 4.764-190.0 | Nozzle kpl. 75047        | 1        | PC   |                                     | GREEN          |
|     |             | <b>Item text1:</b> 047   |          |      |                                     |                |
| 1   | 7.777-999.0 | Stockpiling discontinued | 1        | PC   | <13 MPa (<130 bar)                  | GREY           |
|     |             | <b>Item text1:</b> 015   |          |      |                                     |                |
| 2   | 7.777-999.0 | Stockpiling discontinued | 1        | PC   | 13 MPa (130 bar) - 16 MPa (160 bar) | YELLOW         |
|     |             | <b>Item text1:</b> 020   |          |      |                                     |                |



## 49 Water filter

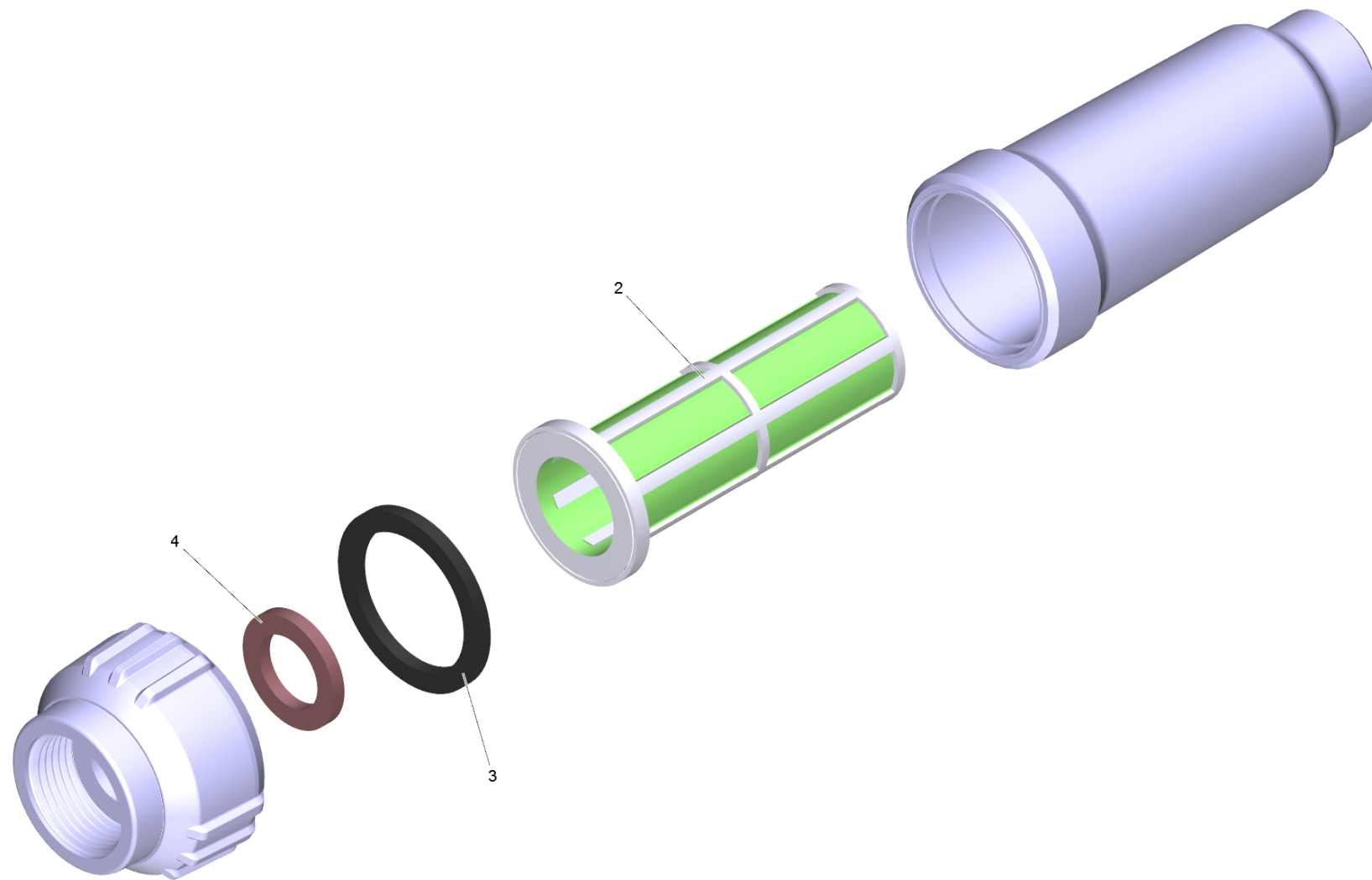
---

| <b>POS</b> | <b>Article no.</b> | <b>Description</b>       | <b>Quantity</b> | <b>Unit</b> |
|------------|--------------------|--------------------------|-----------------|-------------|
| 5          | 6.465-031.0        | Connection 3/4           | 1               | PC          |
| 2          | 5.363-545.0        | Seal                     | 1               | PC          |
| 3          | 5.363-336.0        | Seal                     | 1               | PC          |
| 6          | 7.777-999.0        | Stockpiling discontinued | 1               | PC          |
| 1          | 4.730-059.0        | Water filter             | 1               | PC          |
| 4          | 5.731-050.0        | Water filter             | 1               | PC          |

1 Water filter (4.730-059.0)

---

| POS | Article no. | Description           | Quantity | Unit |
|-----|-------------|-----------------------|----------|------|
| 1   | 4.730-159.0 | Water filter complete | 1        | PC   |

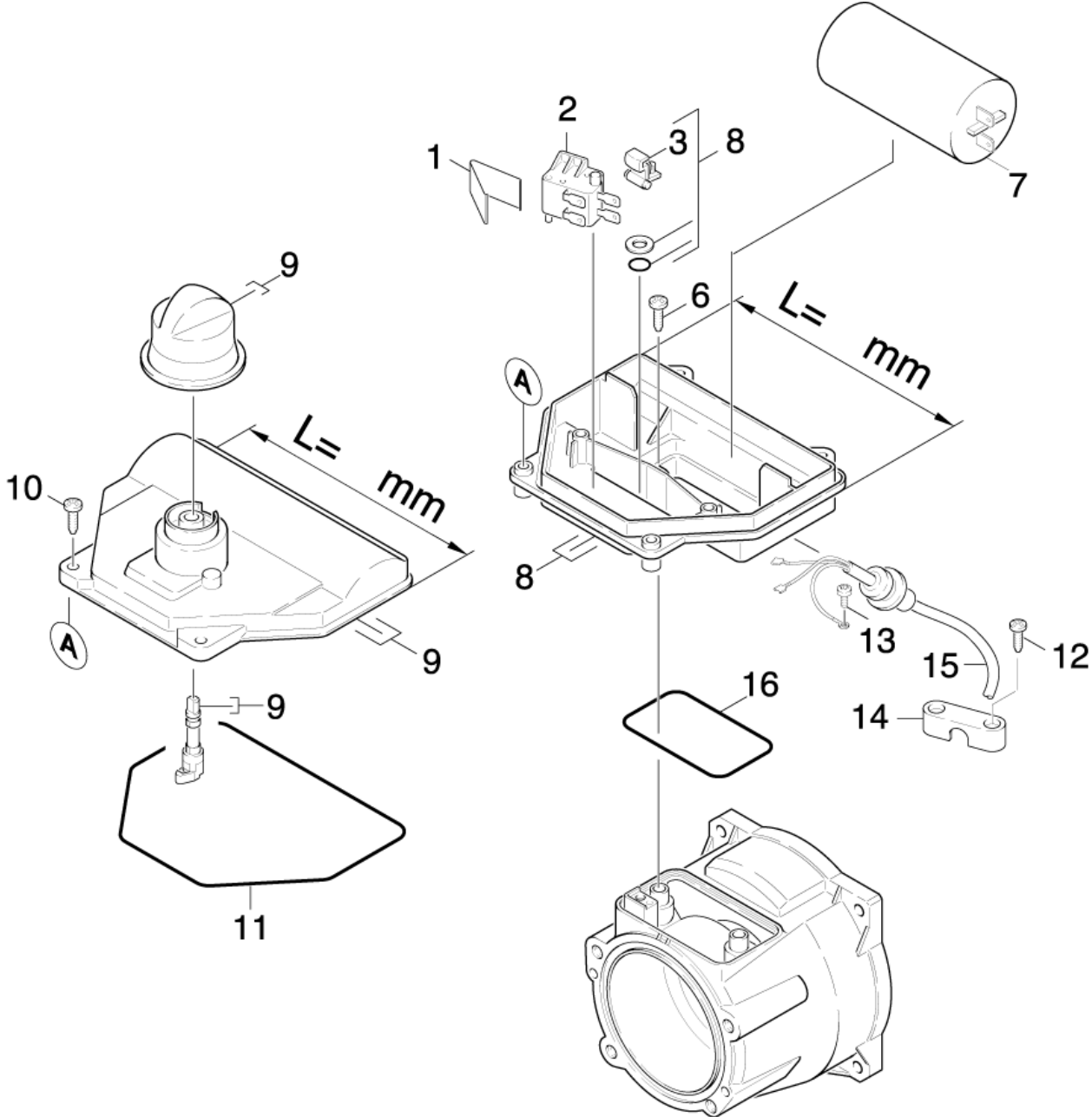


1 Water filter complete (4.730-159.0)

---

| <b>POS</b> | <b>Article no.</b> | <b>Description</b> | <b>Quantity</b> | <b>Unit</b> |
|------------|--------------------|--------------------|-----------------|-------------|
| 3          | 5.363-336.0        | Seal               | 1               | PC          |
| 4          | 5.363-545.0        | Seal               | 1               | PC          |
| 2          | 5.731-050.0        | Water filter       | 1               | PC          |





## 50 Electric control box

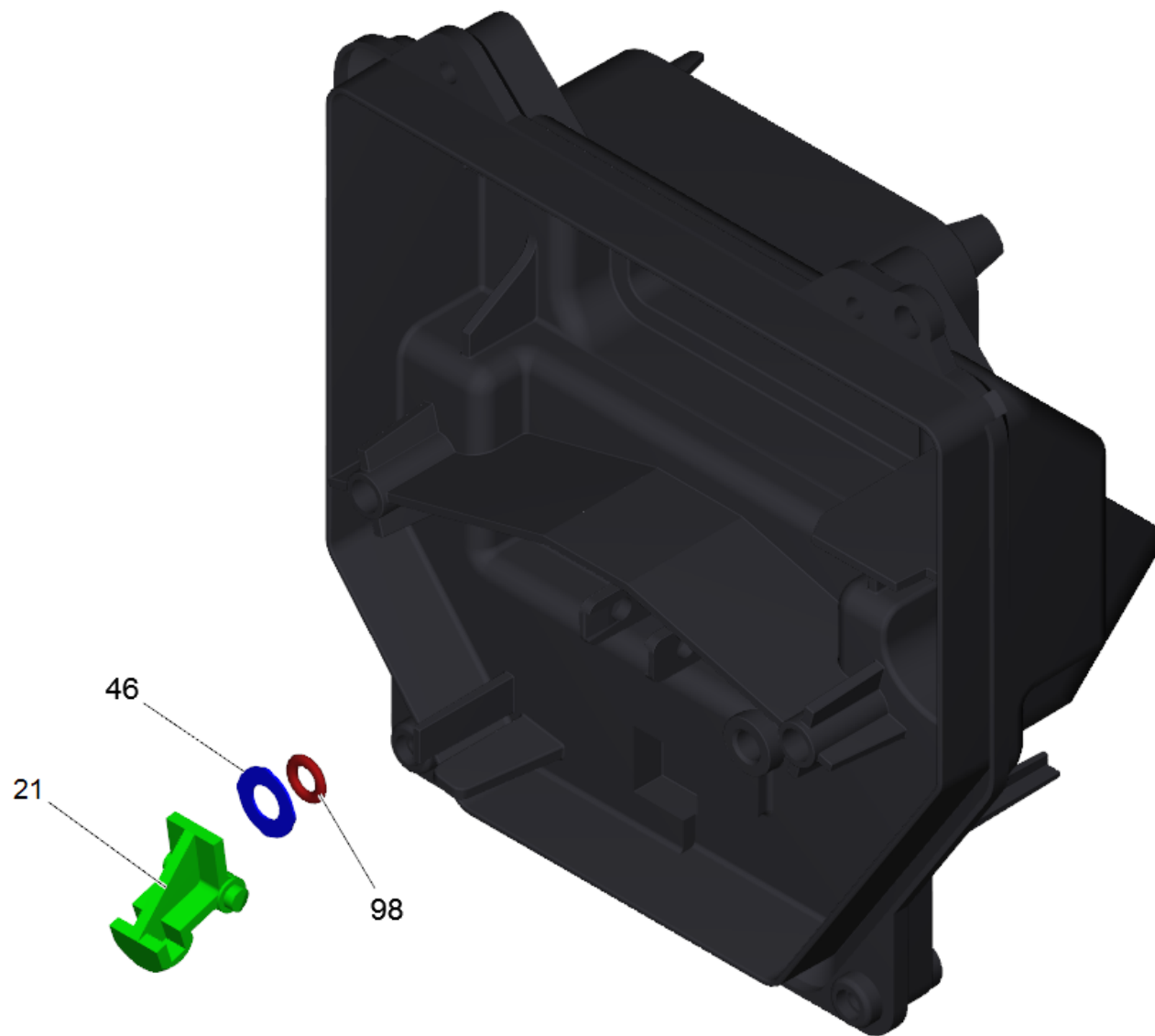
| POS | Article no.   | Description                                 | Quantity | Unit | Remark  | Foot note text        |
|-----|---|---|----------|------|---------|-----------------------|
| 15  | 6.647-739.0   | Cable with plug                             | 1        | PC   |         |                       |
|     | <b>Item text1:</b> / 1.069-320.0 / -800.0   |   |          |      |         |                       |
| 15  | 6.649-903.0   | Cable with plug *CH                         | 1        | PC   |         |                       |
|     | <b>Item text1:</b> / 1.069-290.0 / -810.0 / -895.0 / -953.0   |   |          |      |         |                       |
| 15  | 6.647-404.0   | Cable with plug *GB                         | 1        | PC   |         |                       |
|     | <b>Item text1:</b> / 1.069-280.0 / -926.0 / -931.0  |   |          |      |         |                       |
|     | <b>Item text2:</b> / -934.0   |   |          |      |         |                       |
| 15  | 6.648-361.0   | Cable with plug *RA H05RN-F<br>3G1/5,6M     | 1        | PC   |         |                       |
|     | <b>Item text1:</b> / 1.069-780.0  |   |          |      |         |                       |
| 15  | 6.648-968.0   | Cable with plug H05 VV-F 3G1/5,6m<br>*EU    | 1        | PC   |         |                       |
|     | <b>Item text1:</b> / 1.069-120.0/ -121.0/ -894.0/-919.0 /-923.0/-941.0/-942.0/-952.0/-954.0/-956.0/0/ |   |          |      |         |                       |
| 7   | 6.661-129.0   | Capacitor 25MF                              | 1        | PC   |         |                       |
| 9   | 4.063-591.0   | Cover electric box                          | 1        | PC   | L=158MM | VERSION 1             |
| 9   | 4.063-785.0   | Cover electric box                          | 1        | PC   | L=138MM | VERSION 2             |
| 8   | 4.800-852.0   | Electric box complete                       | 1        | PC   | L=138MM | VERSION 2             |
| 8   | 4.800-845.0   | Electric box complete only for<br>replaceme | 1        | PC   | L=158MM | VERSION 1             |
| 2   | 6.631-946.0   | Micro switch                                | 1        | PC   |         |                       |
| 16  | 6.362-887.0   | O-Ring seal 65,0 X 2,5                      | 1        | PC   |         |                       |
| 12  | 6.303-199.0   | Oval head screw 4,2x 16                     | 2        | PC   |         |                       |
| 1   | 5.337-027.0   | Plate spring                                | 1        | PC   |         |                       |
| 14  | 5.034-505.0   | Retaining bracket cable                     | 1        | PC   |         |                       |
| 3   | 4.047-003.0   | Rocker switch complete                      | 1        | PC   |         |                       |
| 10  | 6.303-125.0   | Screw 5x20-Sonder In6Rd+Spitze              | 4        | PC   |         |                       |
| 13  | 7.303-031.0   | Screw M4x10 -St-P2R (In6Rd)                 | 1        | PC   |         |                       |
| 6   | 7.303-048.0   | Screw M6x20 -St-R3R (In6Rd)                 | 2        | PC   |         |                       |
| 11  | 6.273-070.0   | Seal string cellular rubber 4               | 1        | m    |         | TO ORDER AS CUT GOODS |
|     | <b>Item text1:</b> / 1.069-320.0  |   |          |      |         |                       |
| 15  | 7.777-999.0   | Stockpiling discontinued                    | 1        | PC   |         |                       |
|     | <b>Item text1:</b> / 1.069-924.0  |   |          |      |         |                       |
| 15  | 7.777-999.0   | Stockpiling discontinued                    | 1        | PC   |         |                       |
|     | <b>Item text1:</b> / 1.069-350.0  |   |          |      |         |                       |

50 Electric control box

---

| POS                                | Article no. | Description              | Quantity | Unit | Remark | Foot note text |
|------------------------------------|-------------|--------------------------|----------|------|--------|----------------|
| 15                                 | 7.777-999.0 | Stockpiling discontinued | 1        | PC   |        |                |
| Item text1: / 1.069-600.0 / -601.0 |             |                          |          |      |        |                |

---



## 8 Electric box complete (4.800-852.0)

---

| <b>POS</b> | <b>Article no.</b> | <b>Description</b>     | <b>Quantity</b> | <b>Unit</b> |
|------------|--------------------|------------------------|-----------------|-------------|
| 98         | 6.506-019.0        | O-Ring seal 3,68X 1,78 | 1               | PC          |
| 21         | 4.047-003.0        | Rocker switch complete | 1               | PC          |
| 46         | 5.115-610.0        | Washer                 | 1               | PC          |