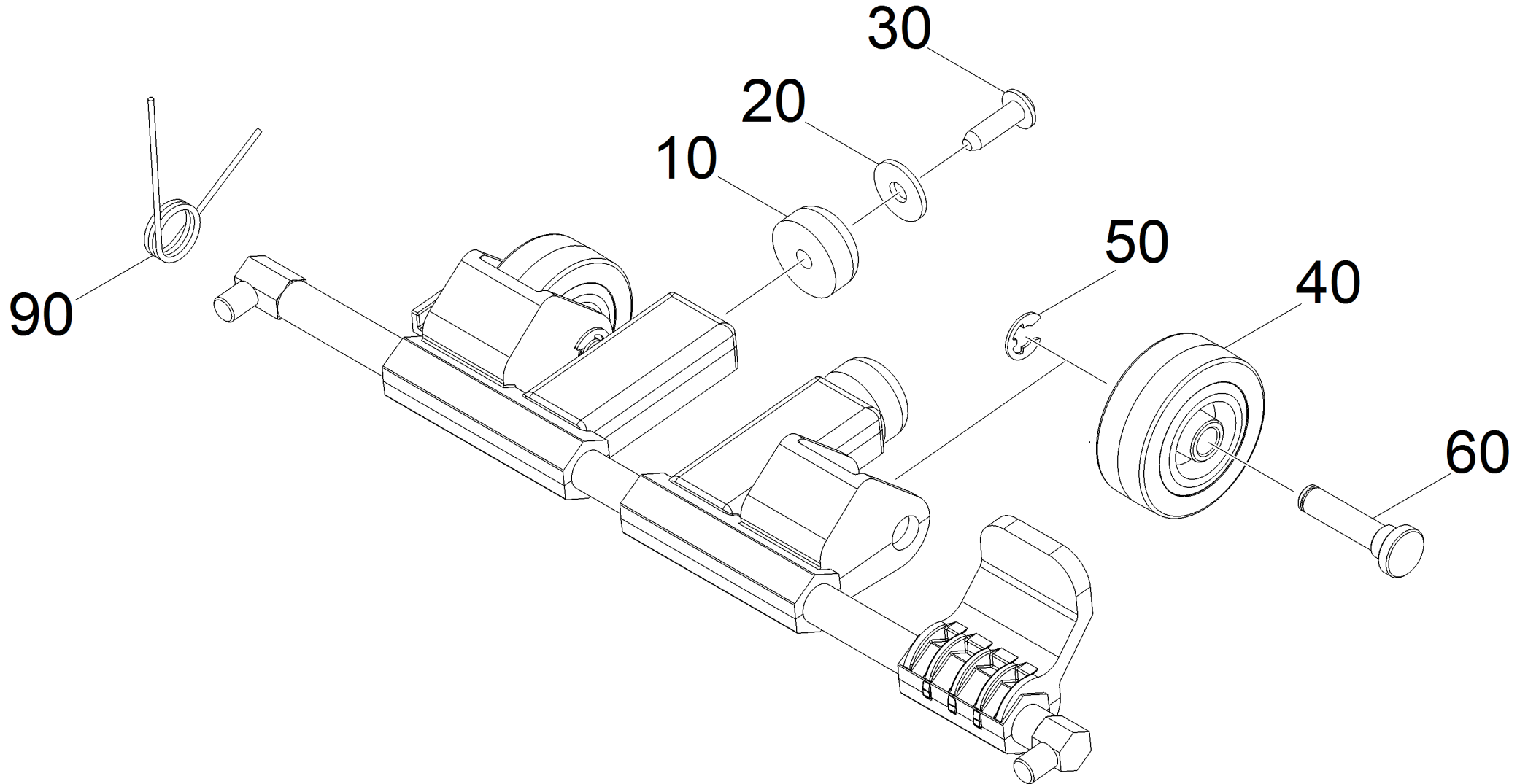


40 Carriage complete for replacement (4.037-120.0)

Professional \ Floor cleaner \ Compact \ BR 35/12 C Bp Pack *EU \ Brush-head complete \ Carriage complete for replacement



40 Carriage complete for replacement (4.037-120.0)

Professional \ Floor cleaner \ Compact \ BR 35/12 C Bp Pack *EU \ Brush-head complete \ Carriage complete for replacement

KÄRCHER

POS	Article no.	Description	Quantity	Unit
60	5.037-314.0	Axle wheel height adjustment	2.000	ST
90	5.037-346.0	Leg spring	1.000	ST
50	7.343-300.0	Lock washer 7-A2 DIN 6799	2.000	ST
30	7.303-108.0	Screw 5x20 -10.9-R2R (In6Rd)	2.000	ST
10	5.031-519.0	Stand foot	2.000	ST
20	7.312-278.0	Washer 5-200HV-A2E ISO7093-1	2.000	ST
40	6.435-309.0	Wheel oil resistant D50	2.000	ST