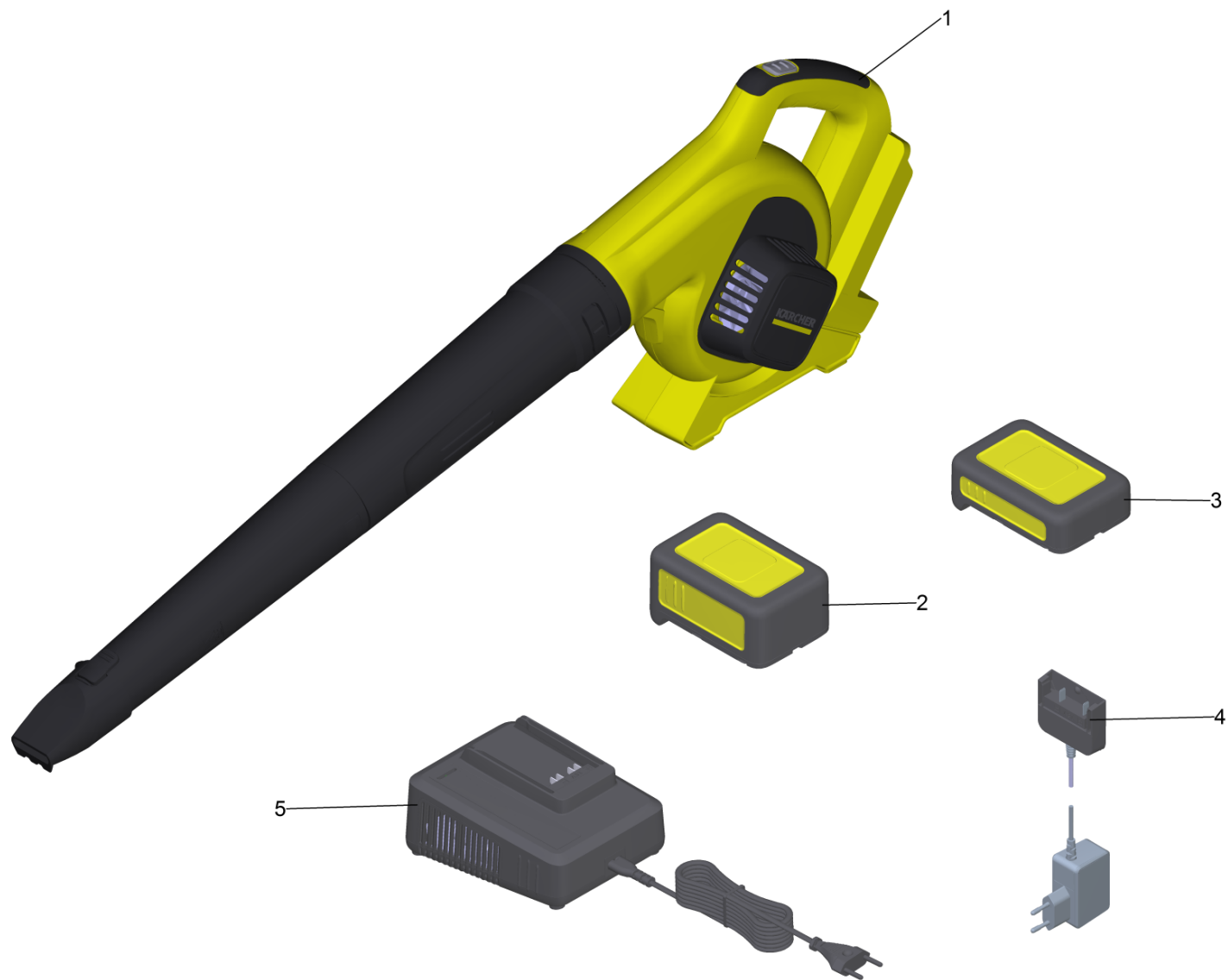


Spare parts list

(1.445-100.0) LBL 2 Battery *int

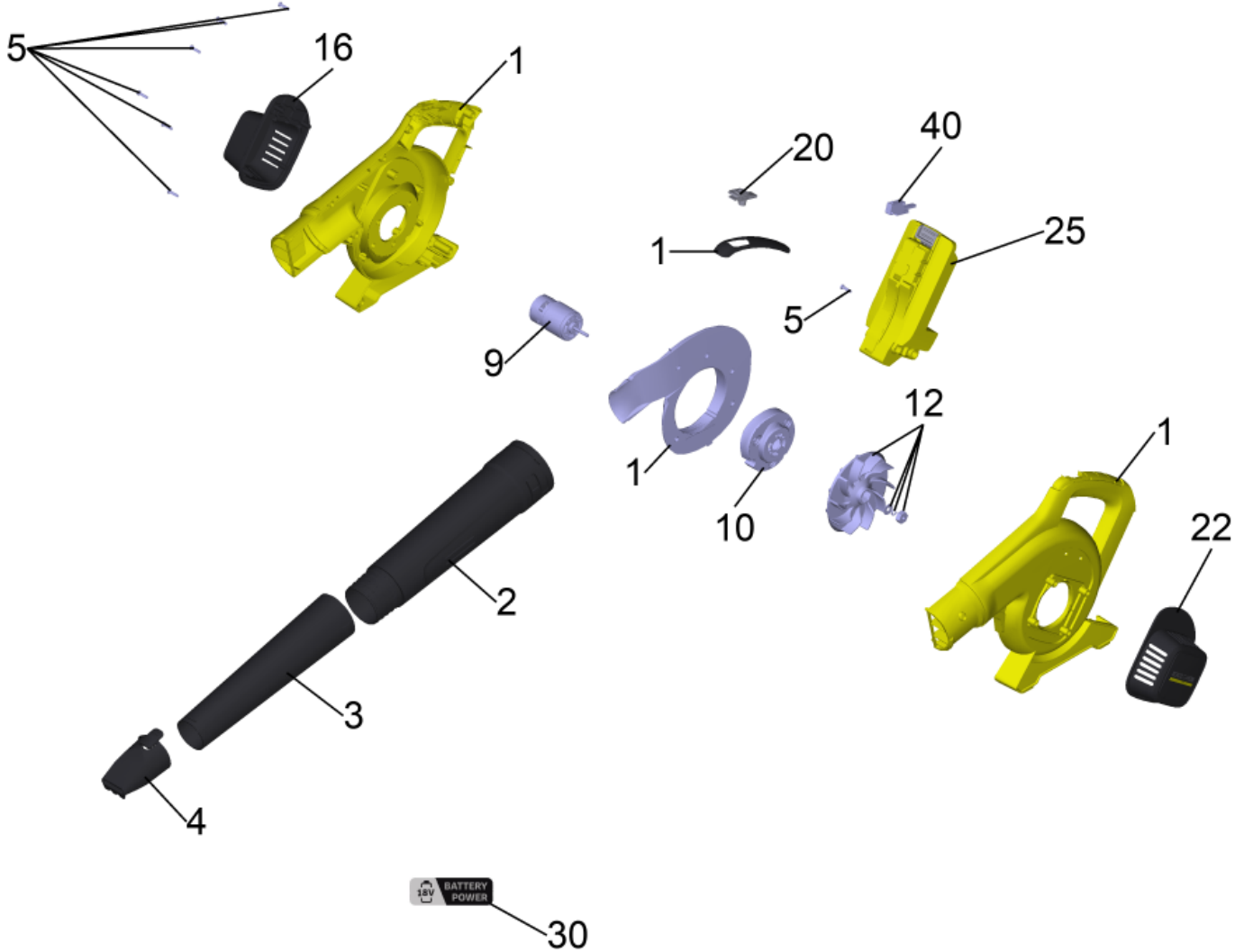
Table of contents

LBL 2 Battery *int (1.445-100.0)	3
1 Blower complete 18V	5



LBL 2 Battery *int (1.445-100.0)

POS	Article no.	Description	Quantity	Unit	Remark
1		Blower complete 18V	1	PC	
2	2.445-034.0	Battery Power 18/25 DW *INT	1	PC	18V/2,5Ah
3	2.445-035.0	Battery Power 18/50 DW *INT	1	PC	18V/5,0Ah
4	6.445-050.3	Plug-in charger packaged 18/5 *EU	1	PC	*EU
4	6.445-052.3	Plug-in charger packaged 18/5 *GB	1	PC	*GB
4	6.445-054.3	Plug-in charger Battery Power 18/5 *JP	1	PC	*JP
4	6.445-056.3	Plug-in charger Battery Power 18/5 *AU	1	PC	*AU
5	2.445-032.0	Fast battery recharger Battery Power 18 V *EU	1	PC	18V/2,5A *EU
5	2.445-036.0	Fast battery recharger Battery Power 18 V *GB	1	PC	18V/2,5A *GB
5	2.445-038.0	Fast battery recharger Battery Power 18 V *JP	1	PC	18V/2,5A *JP
5	2.445-040.0	Fast battery recharger Battery Power 18 V *AU	1	PC	18V/2,5A *AU
6	2.445-050.0	Battery charger Battery Power+ 18/60 *AU	1	PC	18V/6,0A *AU
6	2.445-052.0	Battery charger Battery Power+ 18/60 *CUL	1	PC	18V/6,0A *US
6	2.445-044.0	Battery charger Battery Power+ 18/60 *EU	1	PC	18V/6,0A *EU
6	2.445-048.0	Battery charger Battery Power+ 18/60 *JP	1	PC	18V/6,0A *JP
6	2.445-046.0	Battery charger Battery Power+ 18/60 *GB	1	PC	18V/6,0A *GB
7	2.445-054.0	Uni-Charger Battery Power+ 18-36/60 *EU	1	PC	18-36V/2,5-6A *EU
7	2.445-055.0	Uni-Charger Battery Power+ 18-36/60 *GB	1	PC	18-36V/2,5-6A *GB
7	2.445-056.0	Uni-Charger Battery Power+ 18-36/60 *JP	1	PC	18-36V/2,5-6A *JP
7	2.445-057.0	Uni-Charger Battery Power+ 18-36/60 *AU	1	PC	18-36V/2,5-6A *AU
7	2.445-058.0	Uni-Charger Battery Power+ 18-36/60 *CUL	1	PC	18-36V/2,5-6A *US
1021		Flyer battery platform 2020	1	PC	



1 Blower complete 18V

POS	Article no.	Description	Quantity	Unit
1	4.445-074.0	Housing set	1	PC
2	5.445-062.3	Blow pipe rear packaged	1	PC
3	5.445-063.3	Blow pipe front packaged	1	PC
4	5.445-070.3	Nozzle flat packaged	1	PC
5	6.303-122.0	M4 .2X13 DIN 7981 TORX T15 PAN HD HI/LO	9	PC
9	6.445-016.3	Motor packaged 18V	1	PC
10	5.445-069.0	Support motor 18V	1	PC
12	5.445-149.0	Blower set 18V	1	PC
16	5.445-066.3	Cover plate motor packaged	1	PC
20	5.445-071.3	Button packaged ON/Off 18V	1	PC
22	4.445-027.3	Cover plate air inlet packaged	1	PC
25	4.445-026.3	Guide rail battery packaged	1	PC
30	5.445-072.3	Label packaged 18V	1	PC
40	6.630-836.3	Micro switch for replacement	1	PC