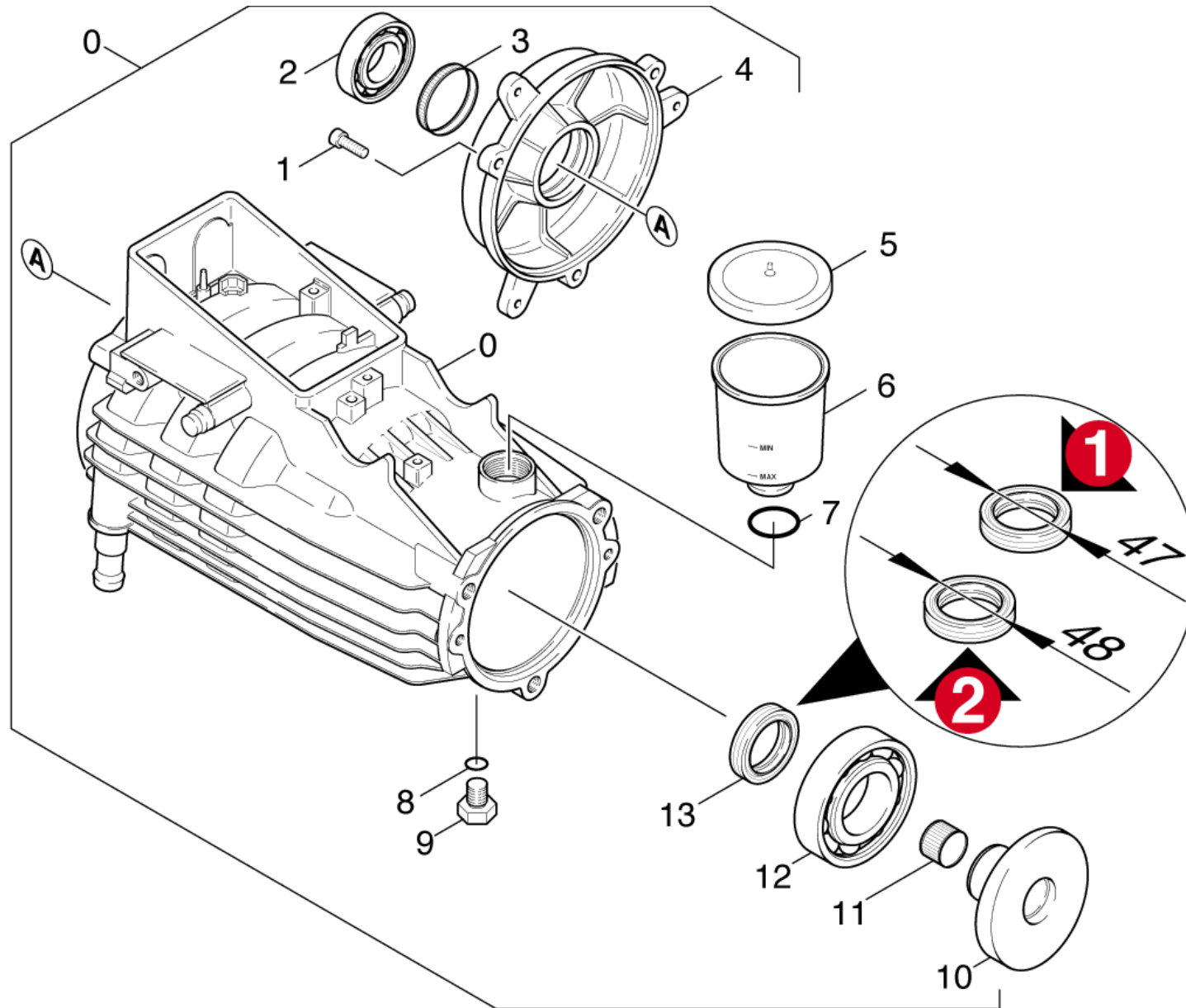


# 32 Bearing

Professional \ High pressure cleaner hotwater \ Electric motor \ HDS 695 \*EU \ Spare parts list HDS 695 \ Motor \ Bearing



## 32 Bearing

Professional \ High pressure cleaner hotwater \ Electric motor \ HDS 695 \*EU \ Spare parts list HDS 695 \ Motor \ Bearing

**KÄRCHER**

POS	Article no.	Description	Quantity	Unit	Remark
0	4.623-202.0	Motor complete	1	PC	
1	7.303-048.0	Screw M6x20 -St-R3R (In6Rd)	3	PC	
2	7.401-126.0	Ball bearing 6204-2Z -Wälzl.St DIN 625	1	PC	
3	6.343-171.0	Tolerance ring	1	PC	
4	5.063-444.0	Cover	1	PC	
5	5.064-459.0	Cover grey	1	PC	
6	5.070-048.0	Box	1	PC	
7	6.362-168.0	O-Ring seal 22,3 X 2,4-NBR 70	1	PC	
8	6.362-528.0	O-Ring seal 9,5 X 2,0	1	PC	
9	5.411-102.0	Screw plug	1	PC	
10	5.120-198.0	Wobble plate	1	PC	
11	6.343-024.0	Tolerance ring	1	PC	
12	7.401-035.0	Ball bearing 7307B-TN DIN 628	1	PC	
13	7.367-007.0	Radial shaft seal ring A28x48x8 -NBR DI	1	PC	VERSION 2
13	7.367-017.0	Radial shaft seal ring A28x47x7-NBR DIN	1	PC	VERSION 1