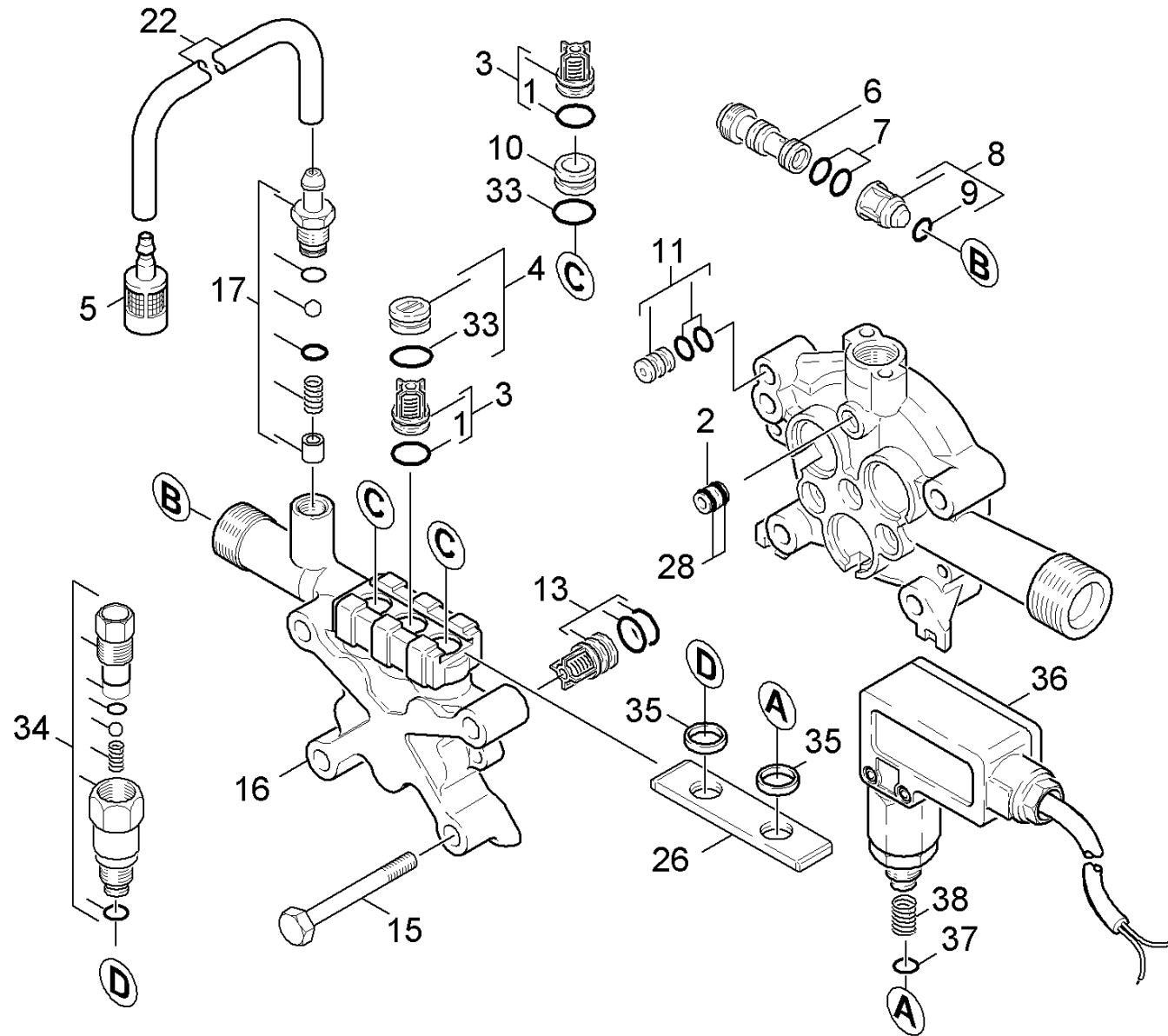


22 Cylinder head

Overview technical documents/Professional/High pressure cleaner hotwater/Combustion engine/HDS 801 B *EU (1.210-100.0)/Spare parts list HDS 801 B/20 Pump set/22 Cylinder head



22 Cylinder head

Overview technical documents/Professional/High pressure cleaner hotwater/Combustion engine/HDS 801 B *EU (1.210-100.0)/Spare parts list HDS 801 B/20 Pump set/22 Cylinder head

Rez.daļas/nodil.pakļ.daļas	Poz.	Materiāla Nr.	Nosaukums	Daudzums	Pārdoš. vienība	no sēr. Nr..	līdz sēr. Nr.
X	1	6.362-077.0	Gredzenblīve 10 x 2,2 NBR 70	3.000	ST	0000000000	0000000000
X-X	2	5.031-562.0	Joining piece	1.000	ST	0000000000	0000000000
X-X	3	2.884-916.0	Valve (3 Stück) from 2.885-299.0	1.000	ST	0000000000	0000000000
X-X	4	4.132-007.0	Spare part	1.000	ST	0000000000	0000000000
X-X	5	4.862-225.0	Filter chemistry regulation	1.000	ST	0000000000	0000000000
X	6	4.769-034.0	Nozzle insert only for replacement	1.000	ST	0000000000	0000000000
X-X	7	6.362-384.0	Gredzenblīve 9x1,5 - NBR 70	2.000	ST	0000000000	0000000000
X-X	8	4.584-022.0	Valve pin complete	1.000	ST	0000000000	0000000000
X-X	9	6.363-613.0	Gredzenblīve 4 x 2 -NBR90	1.000	ST	0000000000	0000000000
X-X	10	4.132-013.0	DRAIN PLUG	1.000	ST	0000000000	0000000000
	11	4.030-070.0	Throttle complete	1.000	ST	0000000000	0000000000
X-X	13	4.580-330.0	Suction valve	3.000	ST	0000000000	0000000000
	15	7.304-097.0	Hexagonal head screw M8x70-8.8-A2E ISO	4.000	ST	0000000000	0000000000
	16	5.550-294.0	Cilindra galva	1.000	ST	0000000000	0000000000
X-X	17	2.883-862.0	Spare part set chemistry	1.000	ST	0000000000	0000000000
	22	6.388-216.0	Šļūtene DN 5	1.000	M	0000000000	0000000000
X-X	26	5.006-049.0	Plate	1.000	ST	0000000000	0000000000
X	28	6.362-176.0	Gredzenblīve 6,07x1,78	2.000	ST	0000000000	0000000000
	33	6.363-273.0	Gredzenblīve 11,0 x 2,0	1.000	ST	0000000000	0000000000
X-X	34	4.580-348.0	Thermovalve	1.000	ST	0000000000	0000000000
X-X	35	5.115-799.0	Washer	2.000	ST	0000000000	0000000000
X-X	36	6.630-094.0	Pressure switch	1.000	ST	0000000000	0000000000
X-X	37	6.362-386.0	Gredzenblīve 5,0 x 1,5-NBR 80	1.000	ST	0000000000	0000000000
X-X	38	6.330-204.0	Pressure spring 30 bar	1.000	ST	0000000000	0000000000