

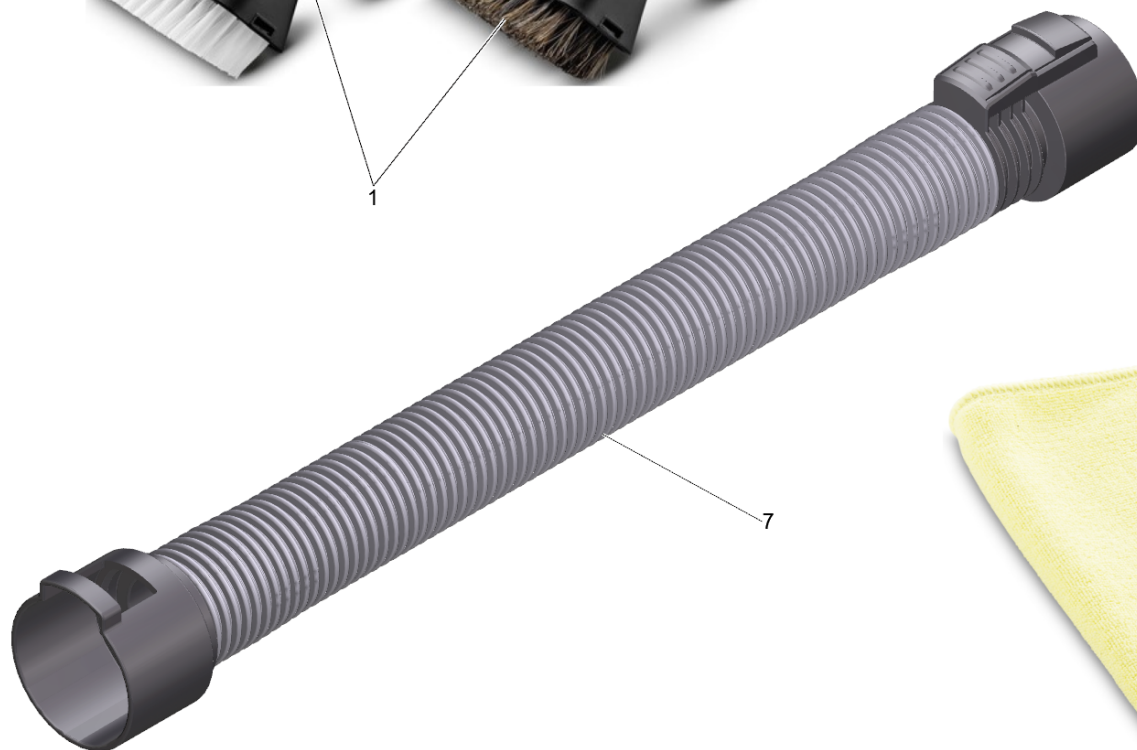
## Table of contents

---

Accessories (0.226-315.0)	2
10 Car interior cleaning kit (2.863-304.0)	3
90 Extension hose	5
110 Accessories kit household WD (BB) *PL (2.863-292.0)	7

## Accessories (0.226-315.0)

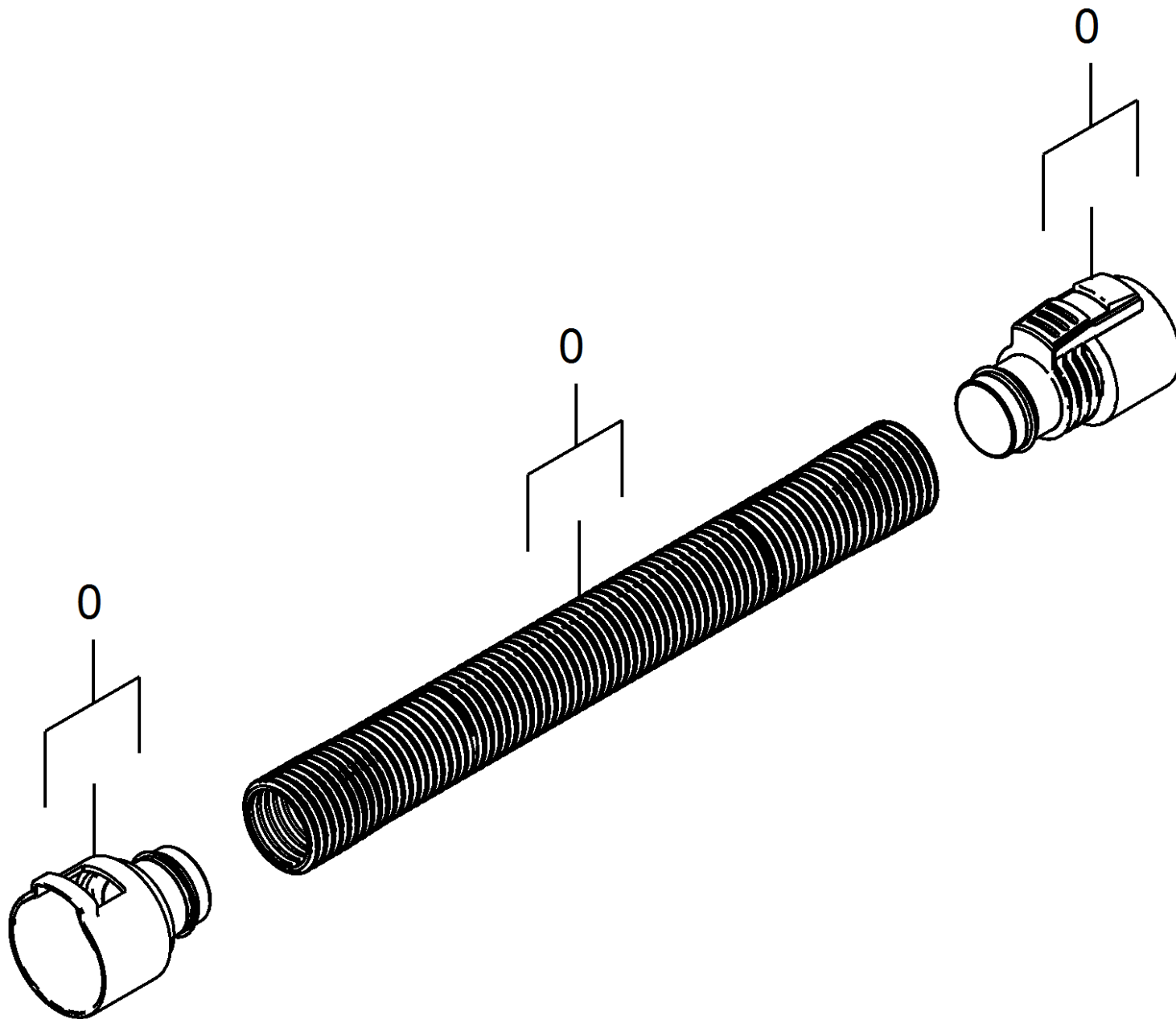
POS	Article no.	Description	Quantity	Unit
10	2.863-304.0	Car interior cleaning kit	1.000	ST
20	2.863-273.0	Brush car set brown box	1.000	ST
30	2.863-307.0	Crevice nozzle extra long AD	1.000	ST
40	2.863-272.0	Crevice nozzle extra long brown card	1.000	ST
50	2.863-306.0	Crevice nozzle extra long WD	1.000	ST
60	2.863-274.0	Paper filtering bag 5pc. WD 1 brown card	1.000	ST
70	2.863-305.0	Extension suction hose 3,5m	1.000	ST
80	2.863-308.0	Extension suction tube WD ID 35	1.000	ST
90		Extension hose	1.000	ST
100	2.863-277.0	Filter bags-fleece 4pc. brown box	1.000	ST
110	2.863-292.0	Accessories kit household WD (BB) *PL	1.000	ST



## 10 Car interior cleaning kit (2.863-304.0)

---

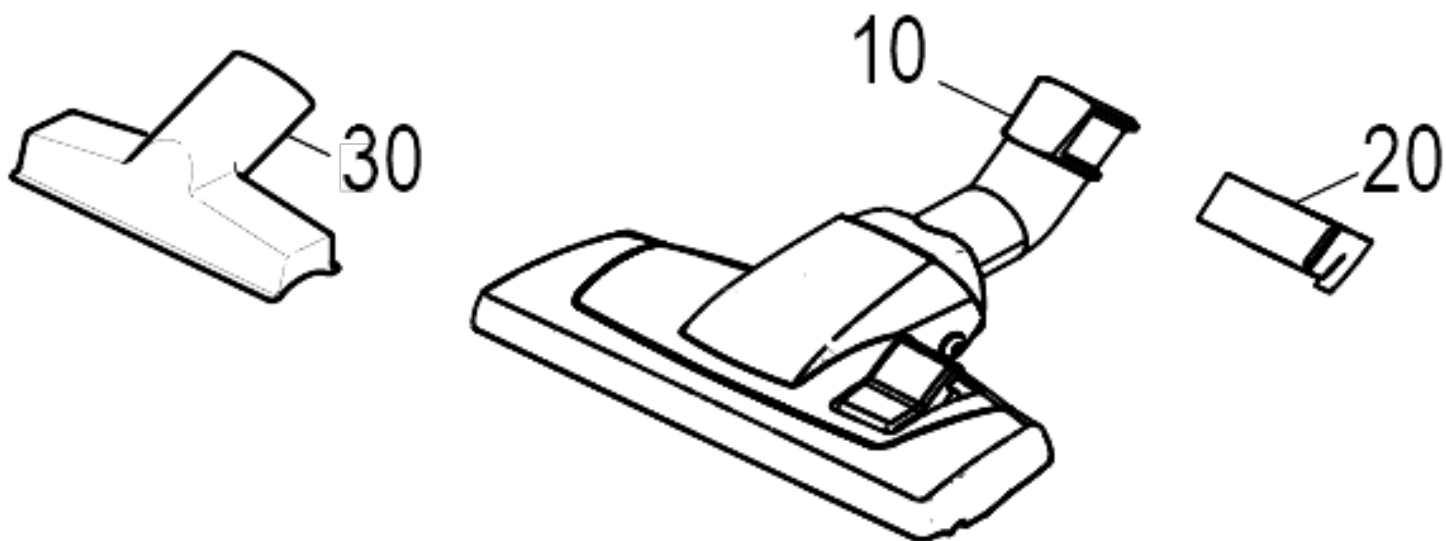
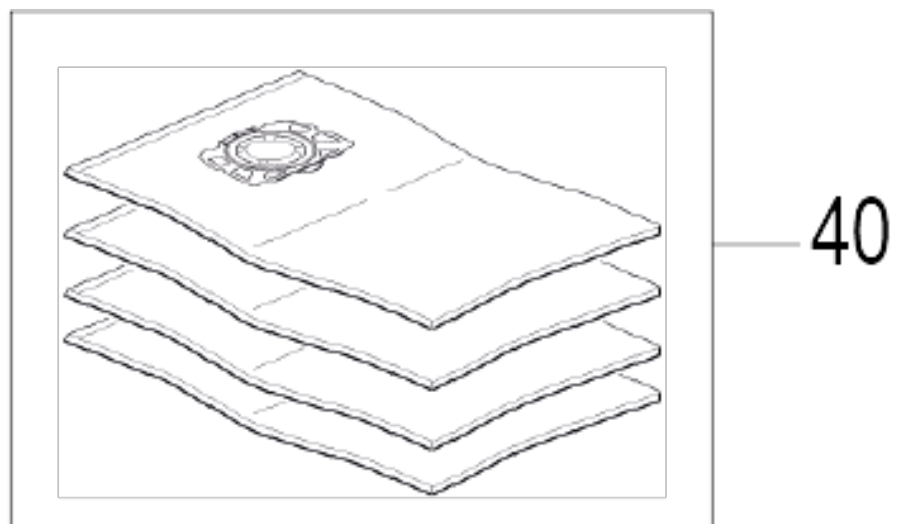
POS	Article no.	Description	Quantity	Unit
1	2.863-221.0	Suction brush kit WD 2pc.	1.000	ST
3	2.863-145.0	Car nozzle WD/SE	1.000	ST
	<b>Item text2:</b> 28621280			
4	2.863-223.0	Crevice nozzle extra long WD/SE	1.000	ST
7	9.013-253.3	Hose extension for replacement DN35, 1,5m	1.000	ST
	<b>Item text2:</b> 28621280			



90 Extension hose

---

<b>POS</b>	<b>Article no.</b>	<b>Description</b>	<b>Quantity</b>	<b>Unit</b>
0	2.863-001.0	Extension suction hose 3,5m WD	1.000	ST



110 Accessories kit household WD (BB) \*PL (2.863-292.0)

---

<b>POS</b>	<b>Article no.</b>	<b>Description</b>	<b>Quantity</b>	<b>Unit</b>
10	4.629-020.0	Floor tool for replacement packaged	1.000	ST
20	5.629-014.0	Clip	1.000	ST
30	6.905-998.0	Upholstery nozzle complete NW35	1.000	ST
40	2.863-277.0	Filter bags-fleece 4pc. brown box	1.000	ST