

## **Spare parts list**

(1.513-050.0) SC 3 Premium (white) \*EU

## Table of contents

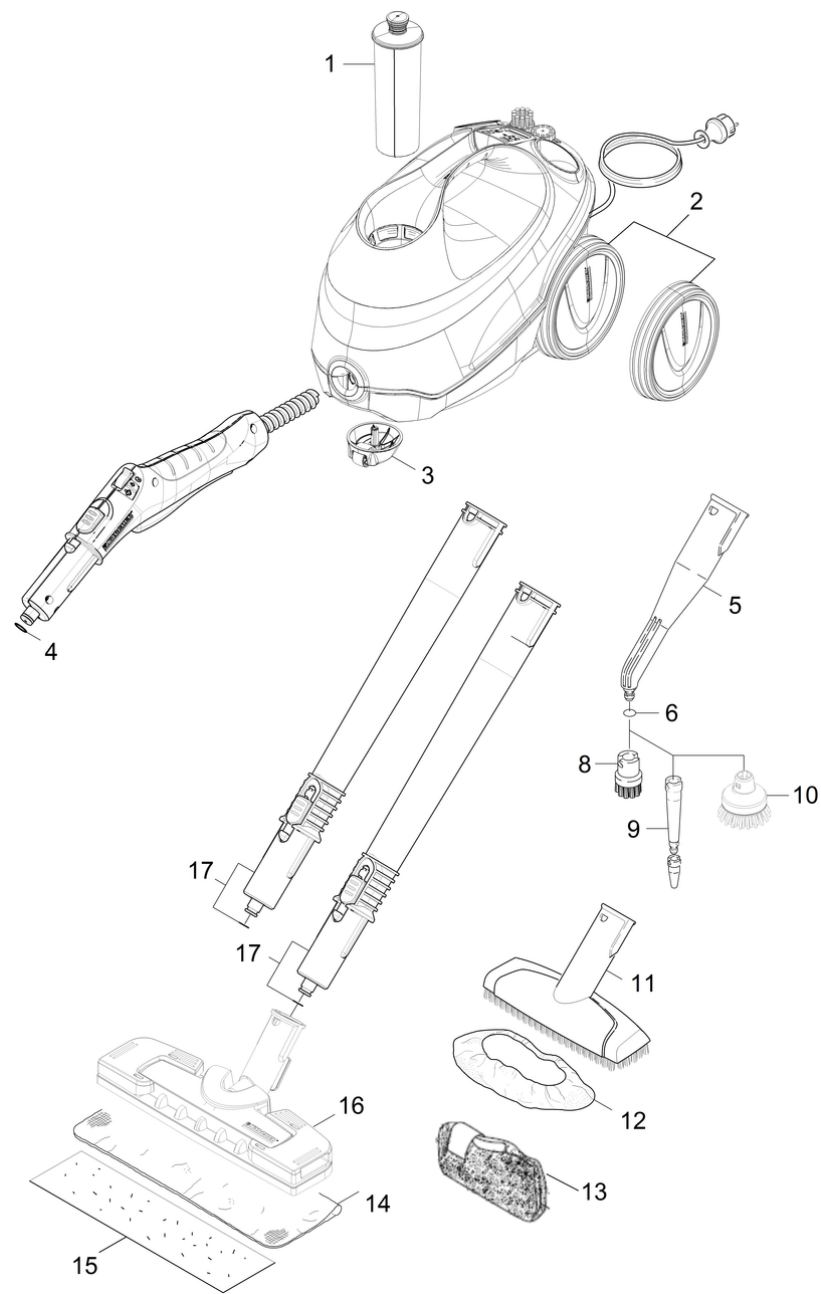
---

SC 3 Premium (white) *EU (1.513-050.0)	3
Short spare parts list	4
Spare parts list SC 3 Premium (5.972-988.0)	6
40 Steam generator complete SC 3	9
1 Steam generator pre-assembled	11
1 Carrier complete replacement DLE SC 3 (4.512-095.0)	13
120 Steam hose without plug bk/gy (4.321-997.0)	15
144 Point jet nozzle complete PA (4.130-021.0)	17
147 Extension pipe bk/gy (4.127-027.0)	19
148 Power nozzle (2.884-282.0)	20
9001 Bottom housing complete replacement SC 3 (4.512-091.0)	22
9002 Conversion kit upper housing replacement (2.882-012.0)	24
1 Upper housing complete replacement SC 3 (4.512-109.0)	25
2 Electronics complete replacement SC 3 NE (4.512-110.0)	27
Spare parts list SC 3 Premium *EU/1 (5.974-260.0)	29
40 Steam generator complete SC 3	32
1 Steam generator pre-assembled	34
1 Carrier complete replacement DLE SC 3 (4.512-095.0)	36
74 Electronics complete replacement SC 3 NE (4.512-110.0)	38
120 Steam hose without plug bk/gy (4.321-997.0)	40
144 Point jet nozzle complete PA (4.130-021.0)	42
147 Extension pipe bk/gy (4.127-027.0)	44
148 Power nozzle (2.884-282.0)	45
9001 Bottom housing complete replacement SC 3 (4.512-091.0)	47
9002 Upper housing complete replacement SC 3 (4.512-109.0)	49

SC 3 Premium (white) \*EU (1.513-050.0)

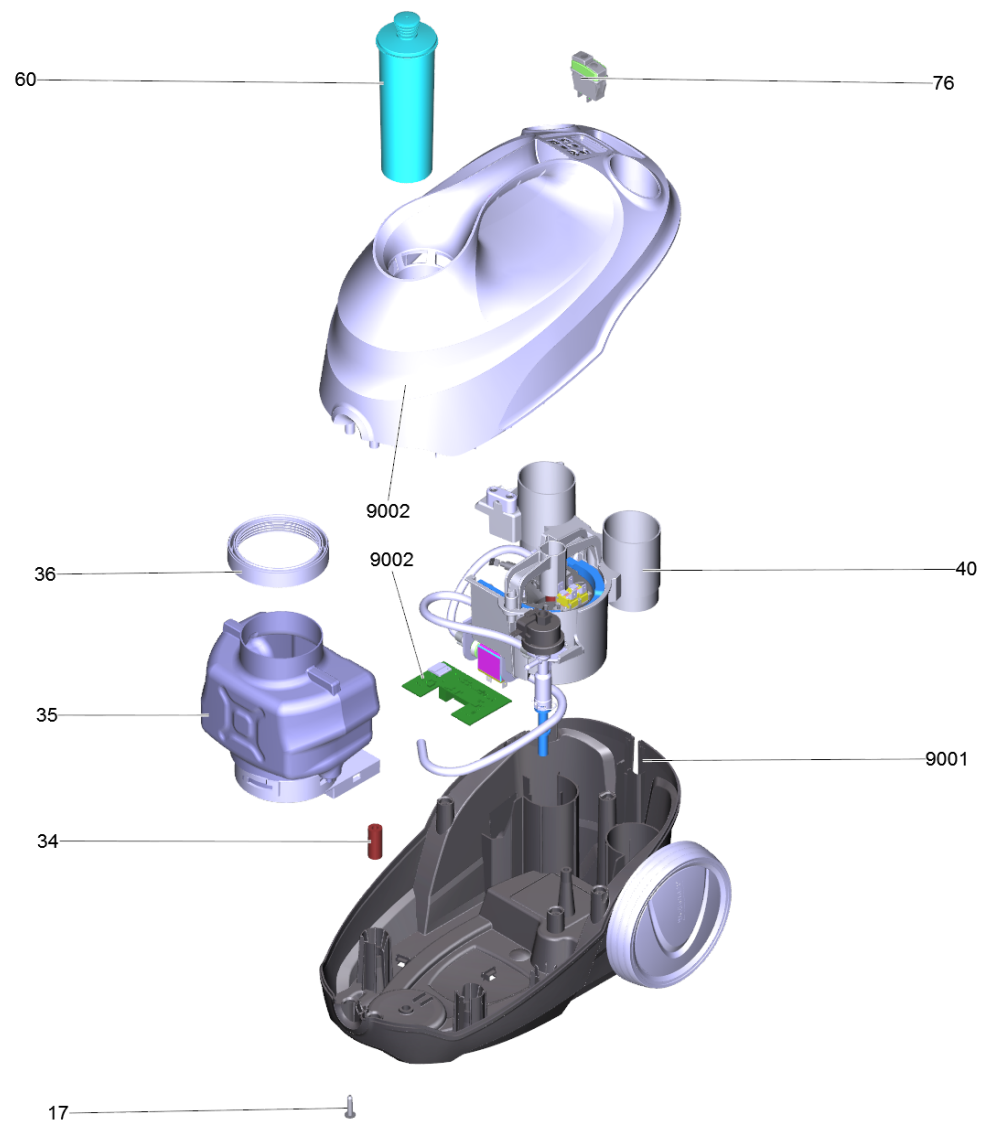
---

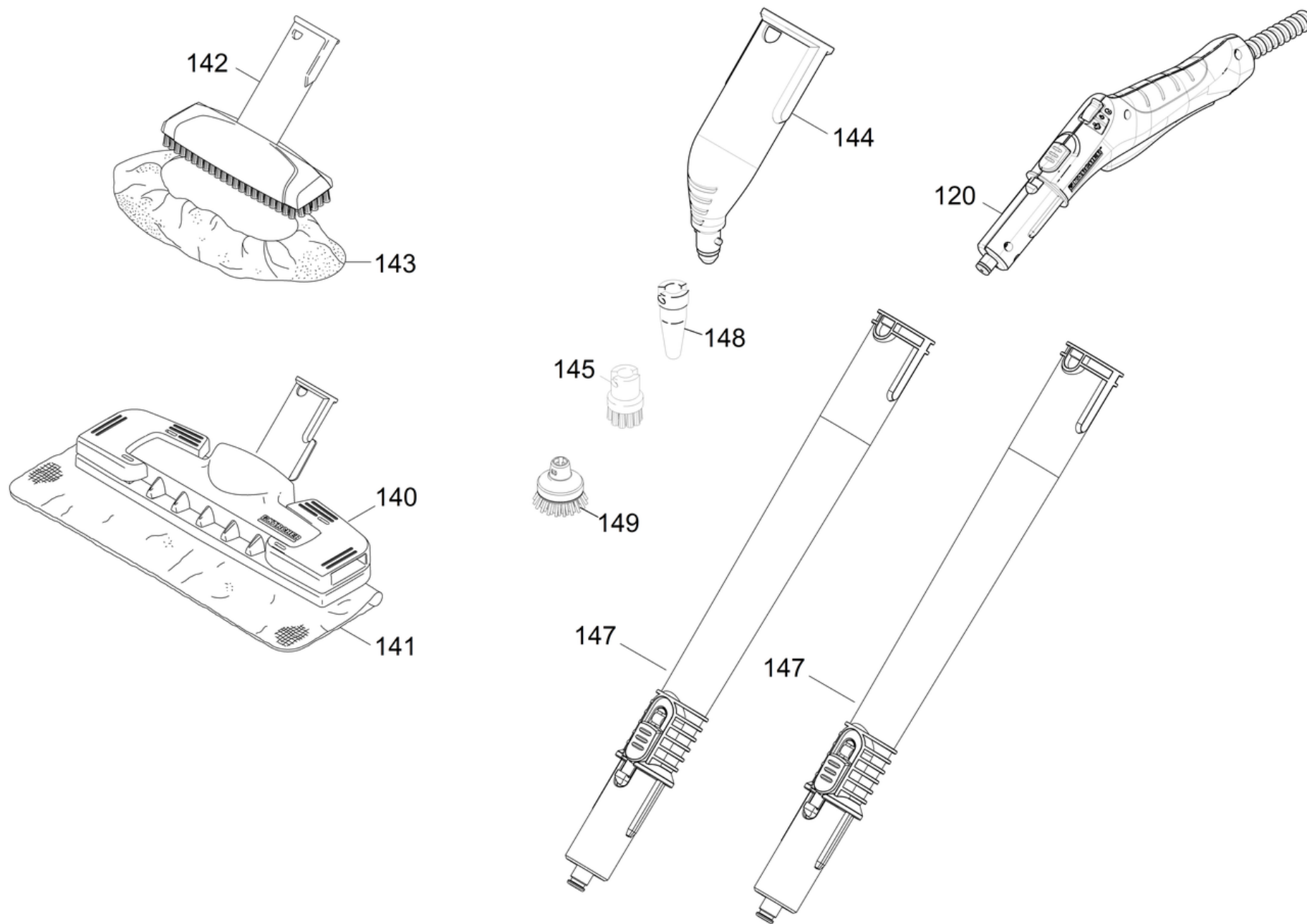
<b>POS</b>	<b>Article no.</b>	<b>Description</b>	<b>Quantity</b>	<b>Unit</b>
0		Short spare parts list	1.000	ST
0	5.972-988.0	Spare parts list SC 3 Premium	1.000	ST
0	5.974-260.0	Spare parts list SC 3 Premium *EU/1	1.000	ST



## Short spare parts list

POS	Article no.	Description	Quantity	Unit
1	2.863-018.0	Cartridge special accessories	1.000	ST
3	4.512-073.0	Castor complete	1.000	ST
14	6.369-357.0	Cloth set	1.000	ST
12	6.370-990.0	Cloth set	1.000	ST
15	2.863-173.0	Cloth set Steam+Clean Floor	1.000	ST
17	4.127-027.0	Extension pipe bk/gy	1.000	ST
16	4.130-018.3	Floor tool better	1.000	ST
11	2.884-280.0	Hand nozzle	1.000	ST
2	4.515-307.0	Impeller kit replacement	1.000	ST
13	2.863-270.0	Microfibre covers for hand nozzle	1.000	ST
6	6.362-186.0	O-Ring seal 7,65X 1,78	1.000	ST
4	6.362-922.0	O-Ring seal 8,73x1,78	1.000	ST
5	4.130-021.0	Point jet nozzle complete PA	1.000	ST
9	2.884-282.0	Power nozzle	1.000	ST
8	2.863-264.0	Round brushes set	1.000	ST
10	2.863-022.0	Round brush large special accessories	1.000	ST

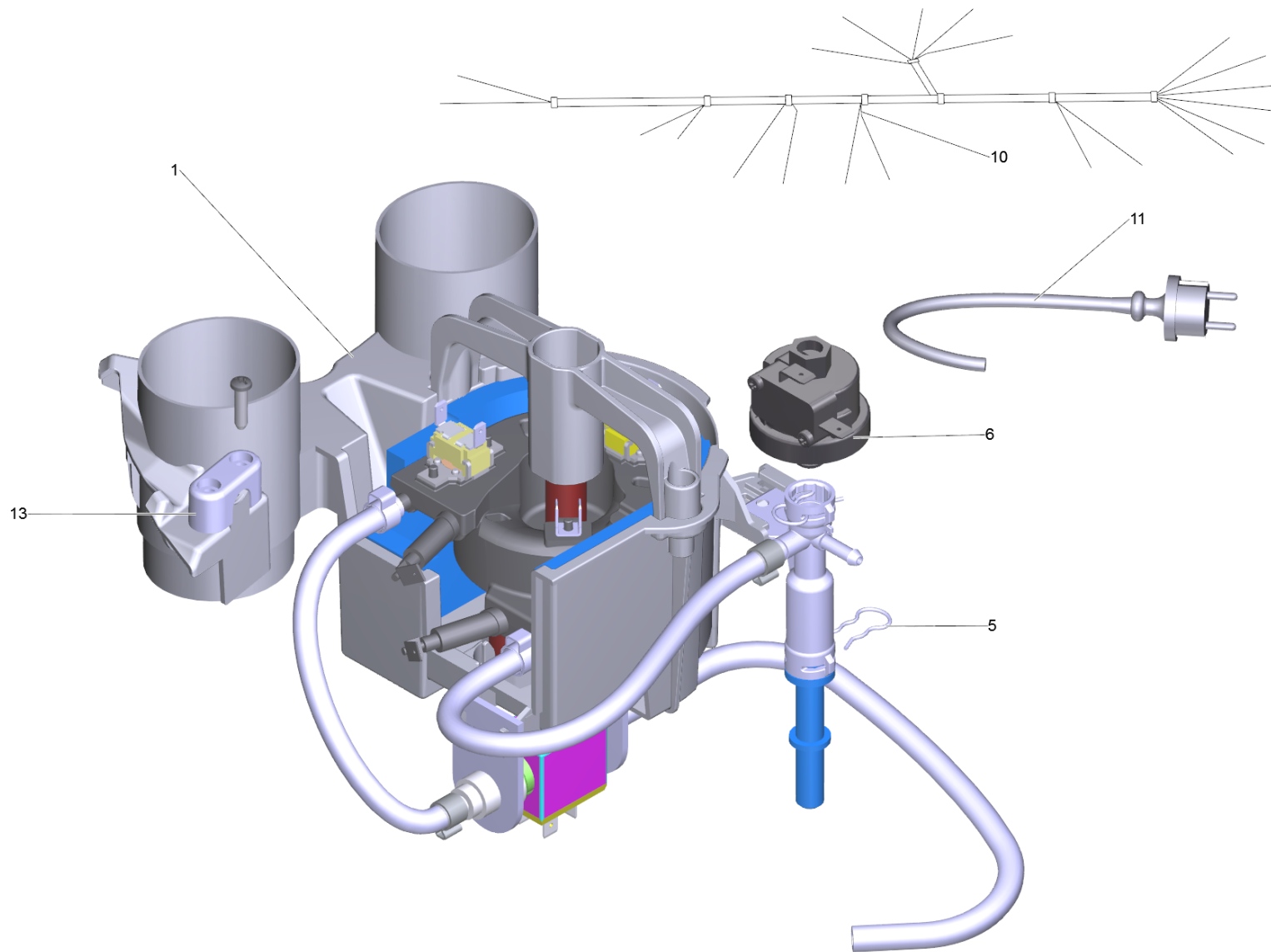




Spare parts list SC 3 Premium (5.972-988.0)

POS	Article no.	Description	Quantity	Unit	Serial number to	Foot note text
34	6.512-038.0	Bearing rubber	2.000	ST		
9001	4.512-091.0	Bottom housing complete replacement SC 3	1.000	ST		
60	2.863-018.0	Cartridge special accessories	1.000	ST		
143	6.370-990.0	Cloth set	1.000	ST		
141	6.369-357.0	Cloth set	1.000	ST		
141	2.863-173.0	Cloth set Steam+Clean Floor	1.000	ST		
9002	2.882-012.0	Conversion kit upper housing replacement	1.000	ST	46100	VERSION 1
147	4.127-027.0	Extension pipe bk/gy	2.000	ST		
140	4.130-018.3	Floor tool better	1.000	ST		
142	2.884-280.0	Hand nozzle	1.000	ST		
143	2.863-270.0	Microfibre covers for hand nozzle	1.000	ST		
144	4.130-021.0	Point jet nozzle complete PA	1.000	ST		
148	2.884-282.0	Power nozzle	1.000	ST		
145	2.863-264.0	Round brushes set	1.000	ST		
149	2.863-022.0	Round brush large special accessories	1.000	ST		
17	7.303-108.0	Screw 5x20 -10.9-R2R (In6Rd)	6.000	ST		
36	5.364-248.0	Seal tank	1.000	ST		
40		Steam generator complete SC 3	1.000	ST		
120	4.321-997.0	Steam hose without plug bk/gy	1.000	ST		
76	4.744-169.0	Switch complete only for replacement	1.000	ST		
35	4.512-094.0	Tank complete replacement SC 3	1.000	ST		



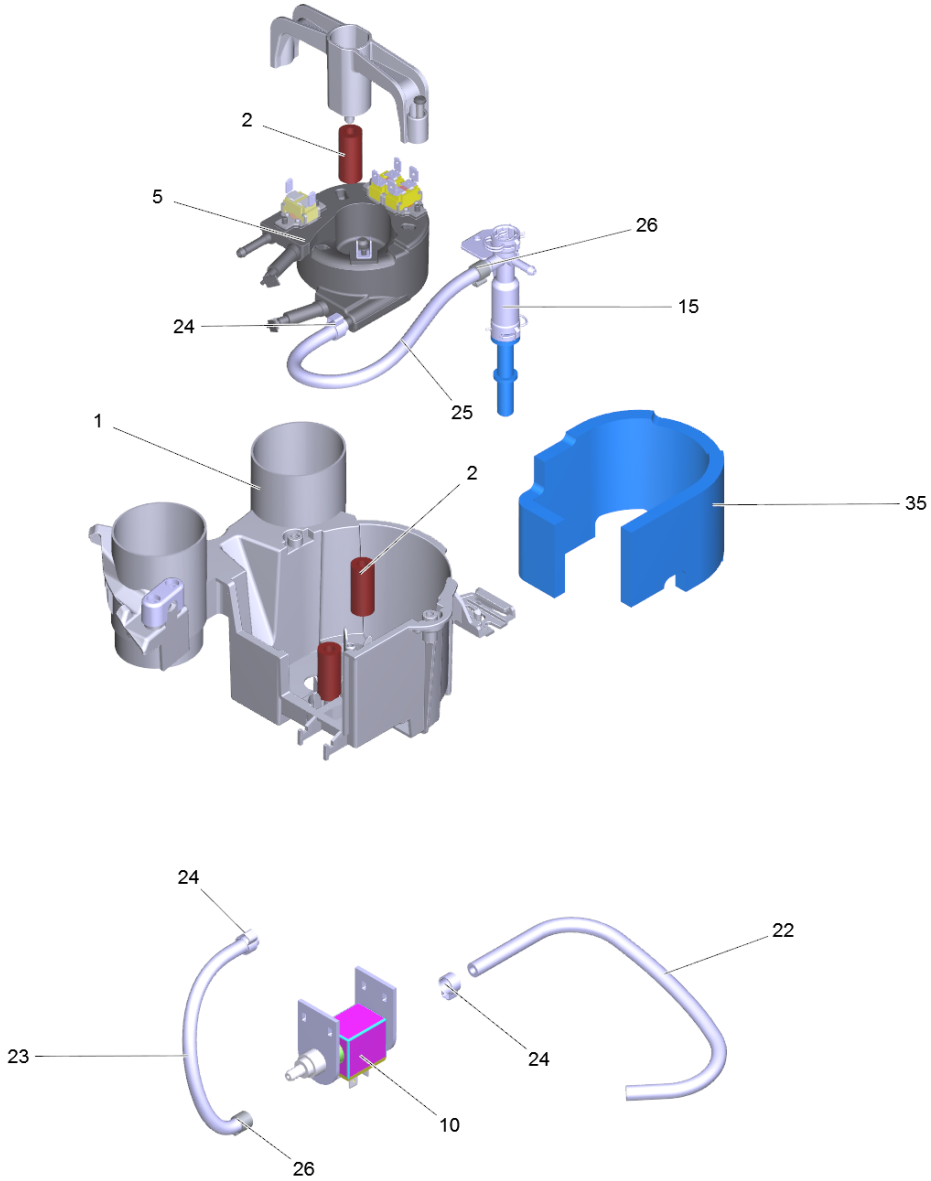


## 40 Steam generator complete SC 3

---

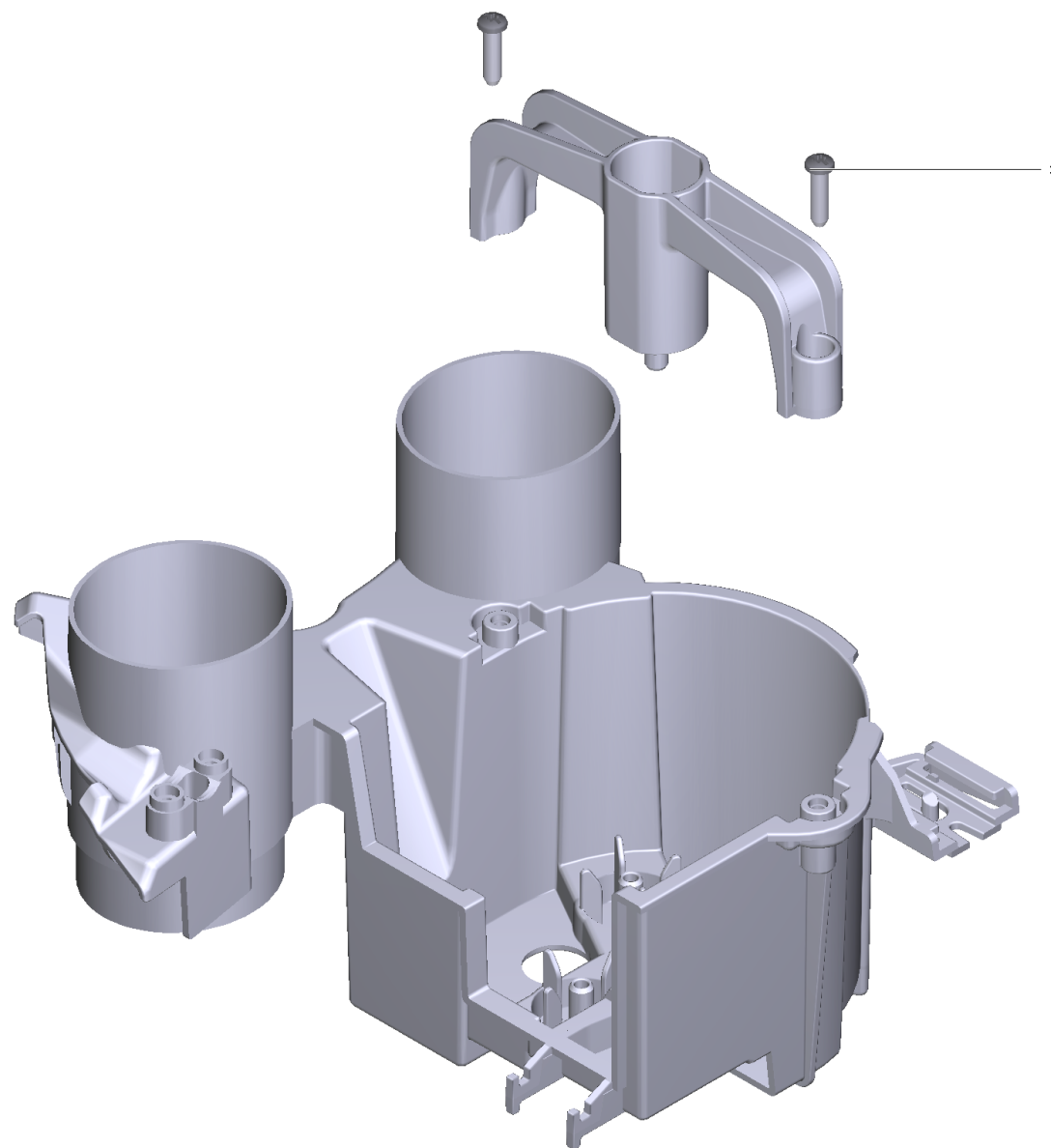
<b>POS</b>	<b>Article no.</b>	<b>Description</b>	<b>Quantity</b>	<b>Unit</b>
10	4.039-235.0	Cable set replacement SC 3	1.000	ST
11	6.649-797.0	Cable with plug EU 4m	1.000	ST
5	5.585-066.0	Clamp	1.000	ST
14	6.303-199.0	Oval head screw 4,2x 16	2.000	ST
6	4.413-000.0	Pressure controller replacement 0,21 MPa	1.000	ST
13	5.034-505.0	Retaining bracket cable	1.000	ST
1		Steam generator pre-assembled	1.000	ST

1 Steam generator pre-assembled



## 1 Steam generator pre-assembled

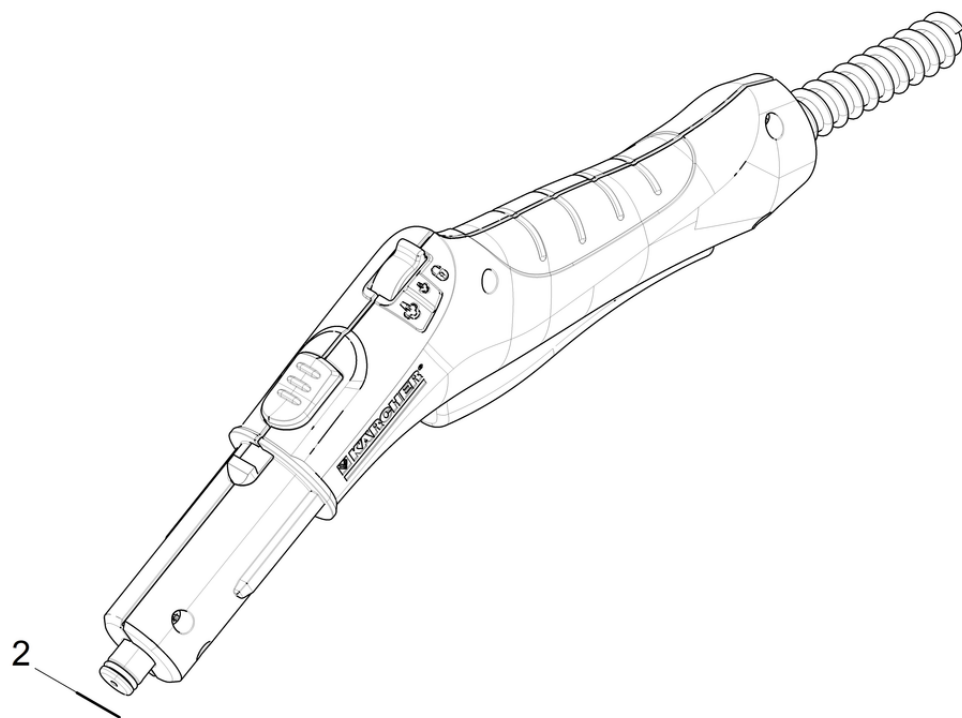
POS	Article no.	Description	Quantity	Unit	Foot note text
2	6.512-038.0	Bearing rubber	4.000	ST	
1	4.512-095.0	Carrier complete replacement DLE SC 3	1.000	ST	
5	4.585-033.0	Flow heater complete replacement SC 3	1.000	ST	
22	6.391-336.0	Hose	0.275	M	TO ORDER AS CUT GOODS
24	6.389-993.0	Hose clip 7,5 - 9,0	3.000	ST	
26	6.389-882.0	Hose clip 8,5-10,0	2.000	ST	
25	6.389-016.0	Hose silicon DN4.5-Poly	0.230	M	TO ORDER AS CUT GOODS
23	6.389-016.0	Hose silicon DN4.5-Poly	0.150	M	TO ORDER AS CUT GOODS
35	5.585-067.0	Insulating DLE	1.000	ST	
10	4.512-096.0	Pump complete replacement SC 3	1.000	ST	
15	4.580-021.0	Safety valve complete replacement SC 3	1.000	ST	



1 Carrier complete replacement DLE SC 3 (4.512-095.0)

---

<b>POS</b>	<b>Article no.</b>	<b>Description</b>	<b>Quantity</b>	<b>Unit</b>
3	6.303-199.0	Oval head screw 4,2x 16	2.000	ST



120 Steam hose without plug bk/gy (4.321-997.0)

---

<b>POS</b>	<b>Article no.</b>	<b>Description</b>	<b>Quantity</b>	<b>Unit</b>
1	6.362-922.0	O-Ring seal 8,73x1,78	1.000	ST

---





144 Point jet nozzle complete PA (4.130-021.0)

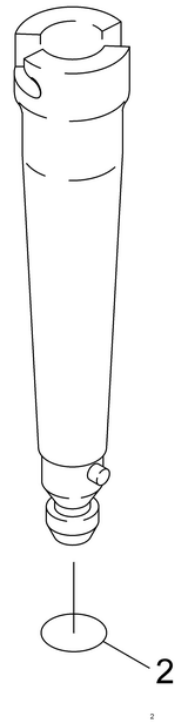
---

<b>POS</b>	<b>Article no.</b>	<b>Description</b>	<b>Quantity</b>	<b>Unit</b>
2	6.362-186.0	O-Ring seal 7,65X 1,78	1.000	ST

147 Extension pipe bk/gy (4.127-027.0)

---

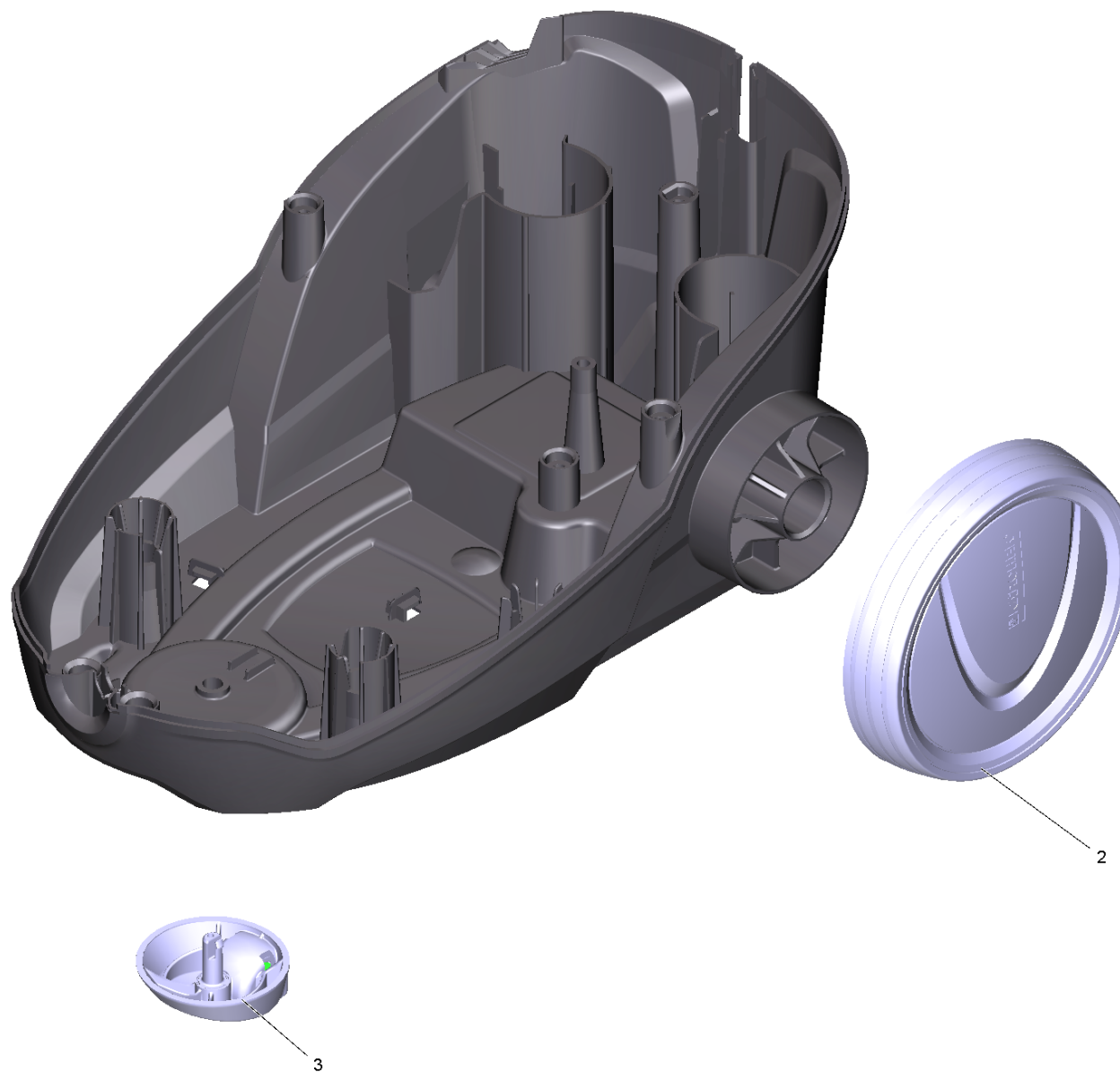
<b>POS</b>	<b>Article no.</b>	<b>Description</b>	<b>Quantity</b>	<b>Unit</b>
4	6.362-922.0	O-Ring seal 8,73x1,78	1.000	ST



148 Power nozzle (2.884-282.0)

---

<b>POS</b>	<b>Article no.</b>	<b>Description</b>	<b>Quantity</b>	<b>Unit</b>
2	6.362-924.0	O-Ring seal 6,02X 2,62	1.000	ST



9001 Bottom housing complete replacement SC 3 (4.512-091.0)

---

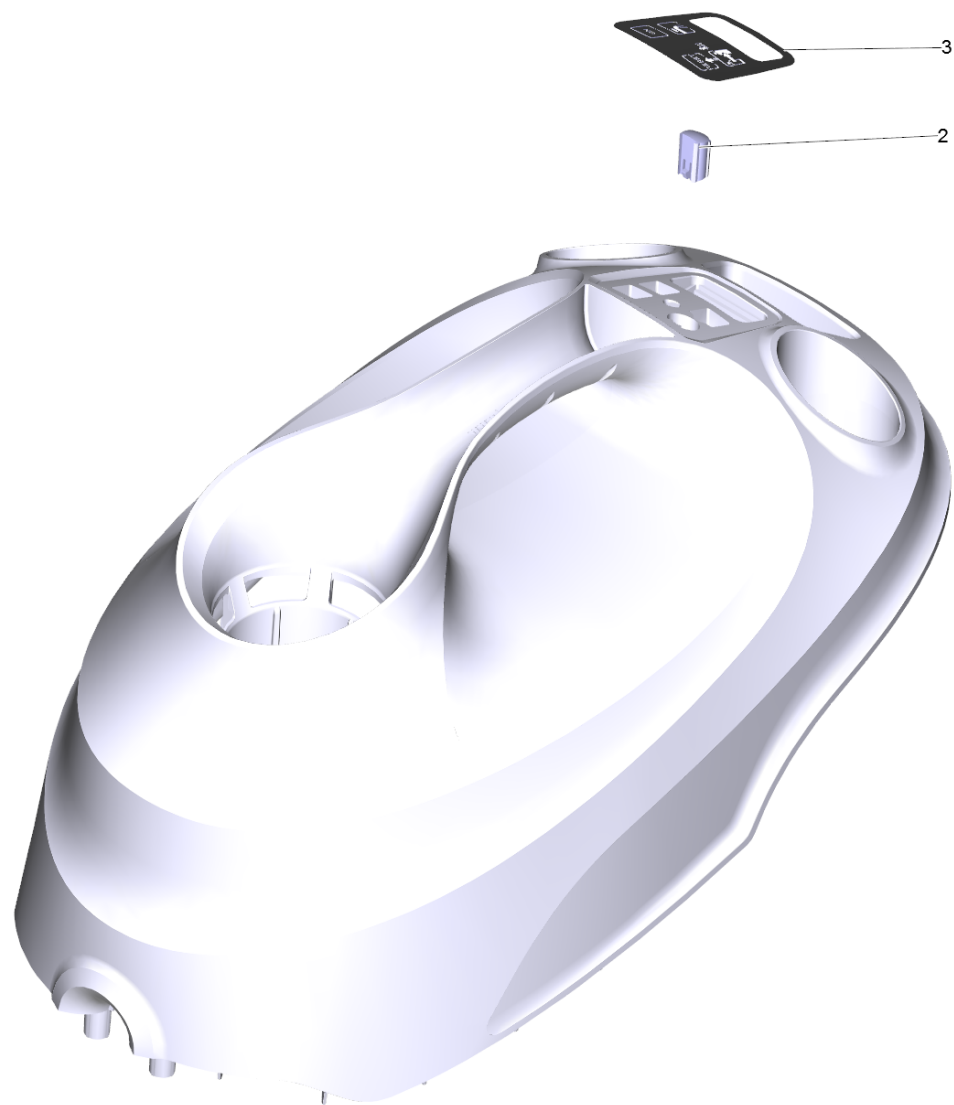
<b>POS</b>	<b>Article no.</b>	<b>Description</b>	<b>Quantity</b>	<b>Unit</b>
3	4.512-073.0	Castor complete	1.000	ST
2	5.515-046.0	Wheel 2014	2.000	ST

9002 Conversion kit upper housing replacement (2.882-012.0)

---

<b>POS</b>	<b>Article no.</b>	<b>Description</b>	<b>Quantity</b>	<b>Unit</b>
2	4.512-110.0	Electronics complete replacement SC 3 NE	1.000	ST
1	4.512-109.0	Upper housing complete replacement SC 3	1.000	ST

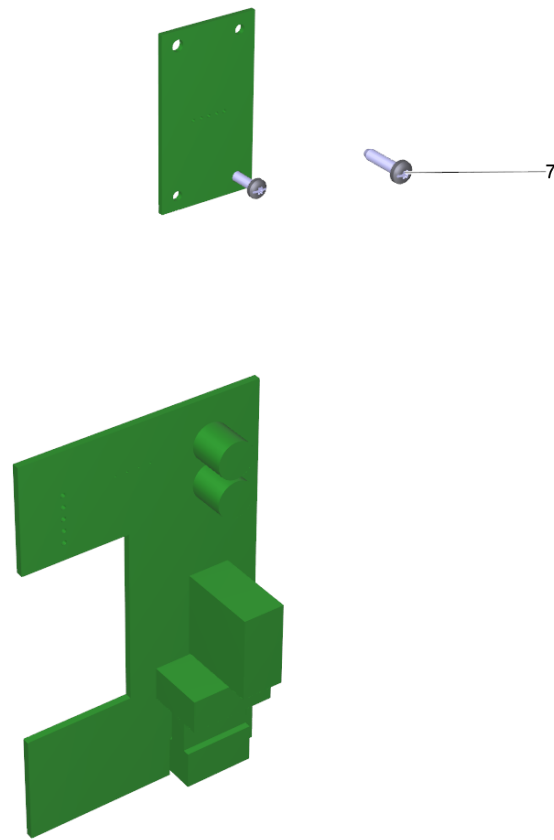




1 Upper housing complete replacement SC 3 (4.512-109.0)

---

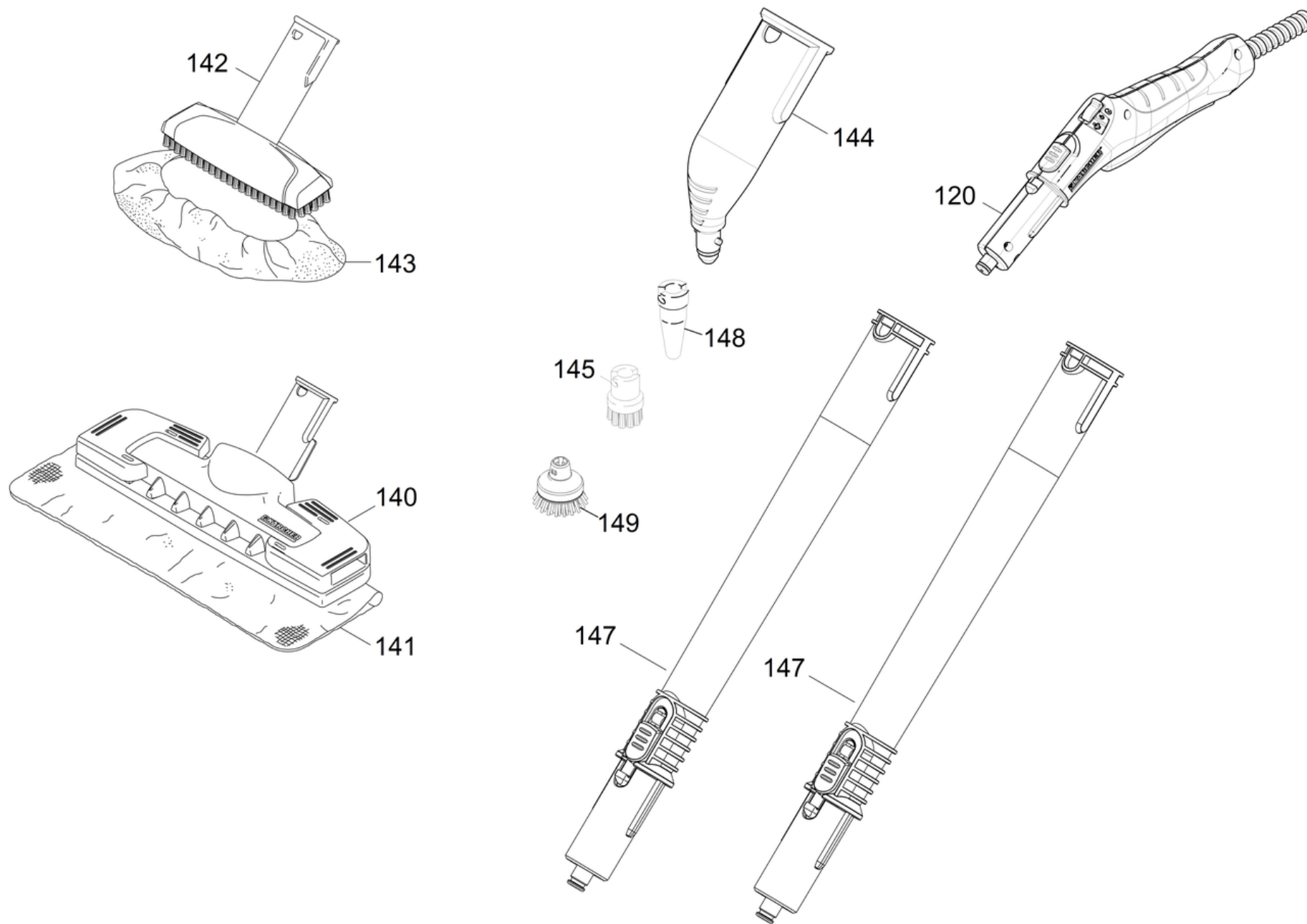
<b>POS</b>	<b>Article no.</b>	<b>Description</b>	<b>Quantity</b>	<b>Unit</b>
3	5.512-206.0	Foil display	1.000	ST
2	5.512-209.0	Slide of a press SC 3	1.000	ST

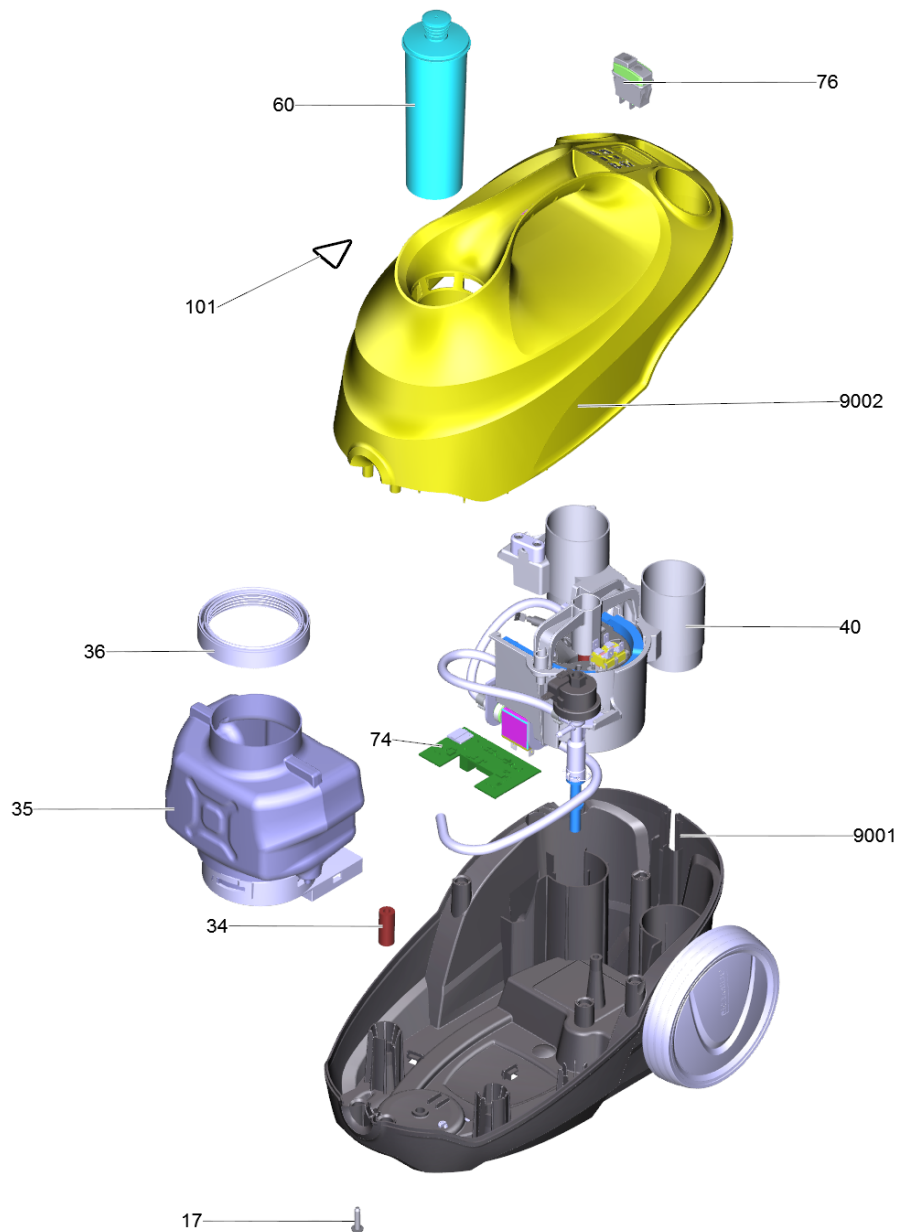


2 Electronics complete replacement SC 3 NE (4.512-110.0)

---

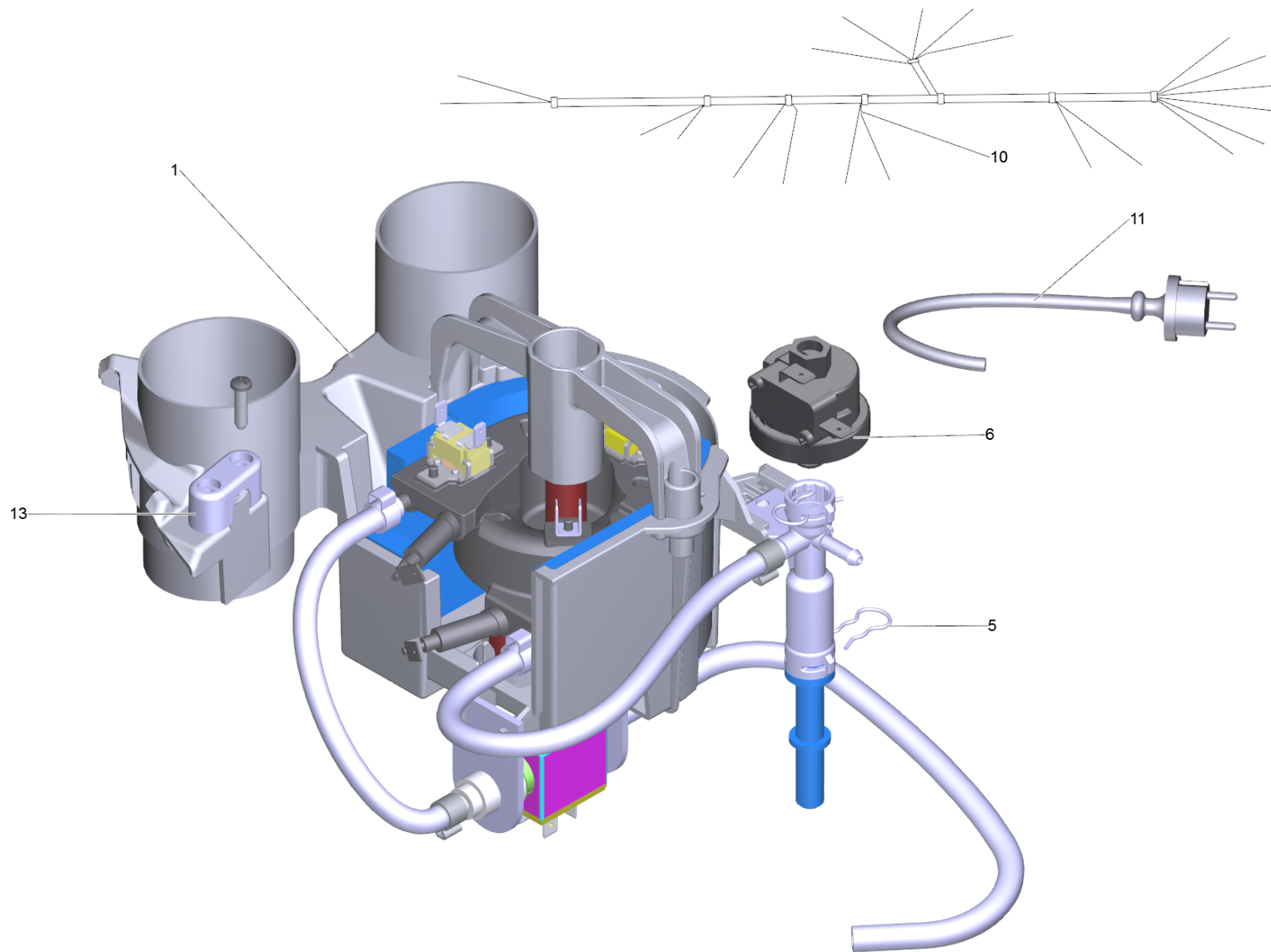
<b>POS</b>	<b>Article no.</b>	<b>Description</b>	<b>Quantity</b>	<b>Unit</b>
7	6.303-567.0	Screw with spike 3x12 Kombitorx T8	2.000	ST





## Spare parts list SC 3 Premium \*EU/1 (5.974-260.0)

POS	Article no.	Description	Quantity	Unit	Serial number from	Foot note text
34	6.512-038.0	Bearing rubber	2.000	ST		
9001	4.512-091.0	Bottom housing complete replacement SC 3	1.000	ST		
60	2.863-018.0	Cartridge special accessories	1.000	ST		
141	6.369-357.0	Cloth set	1.000	ST		
143	6.370-990.0	Cloth set	1.000	ST		
141	2.863-173.0	Cloth set Steam+Clean Floor	1.000	ST		
74	4.512-110.0	Electronics complete replacement SC 3 NE	1.000	ST	46101	VERSION 2
147	4.127-027.0	Extension pipe bk/gy	2.000	ST		
140	4.130-018.3	Floor tool better	1.000	ST		
142	2.884-280.0	Hand nozzle	1.000	ST		
143	2.863-270.0	Microfibre covers for hand nozzle	1.000	ST		
144	4.130-021.0	Point jet nozzle complete PA	1.000	ST		
148	2.884-282.0	Power nozzle	1.000	ST		
145	2.863-264.0	Round brushes set	1.000	ST		
149	2.863-022.0	Round brush large special accessories	1.000	ST		
17	7.303-108.0	Screw 5x20 -10.9-R2R (In6Rd)	6.000	ST		
36	5.364-248.0	Seal tank	1.000	ST		
40		Steam generator complete SC 3	1.000	ST		
120	4.321-997.0	Steam hose without plug bk/gy	1.000	ST		
76	4.744-169.0	Switch complete only for replacement	1.000	ST		
35	4.512-094.0	Tank complete replacement SC 3	1.000	ST		
9002	4.512-109.0	Upper housing complete replacement SC 3	1.000	ST	46101	VERSION 2
101	5.387-036.0	Warning sign	1.000	ST		

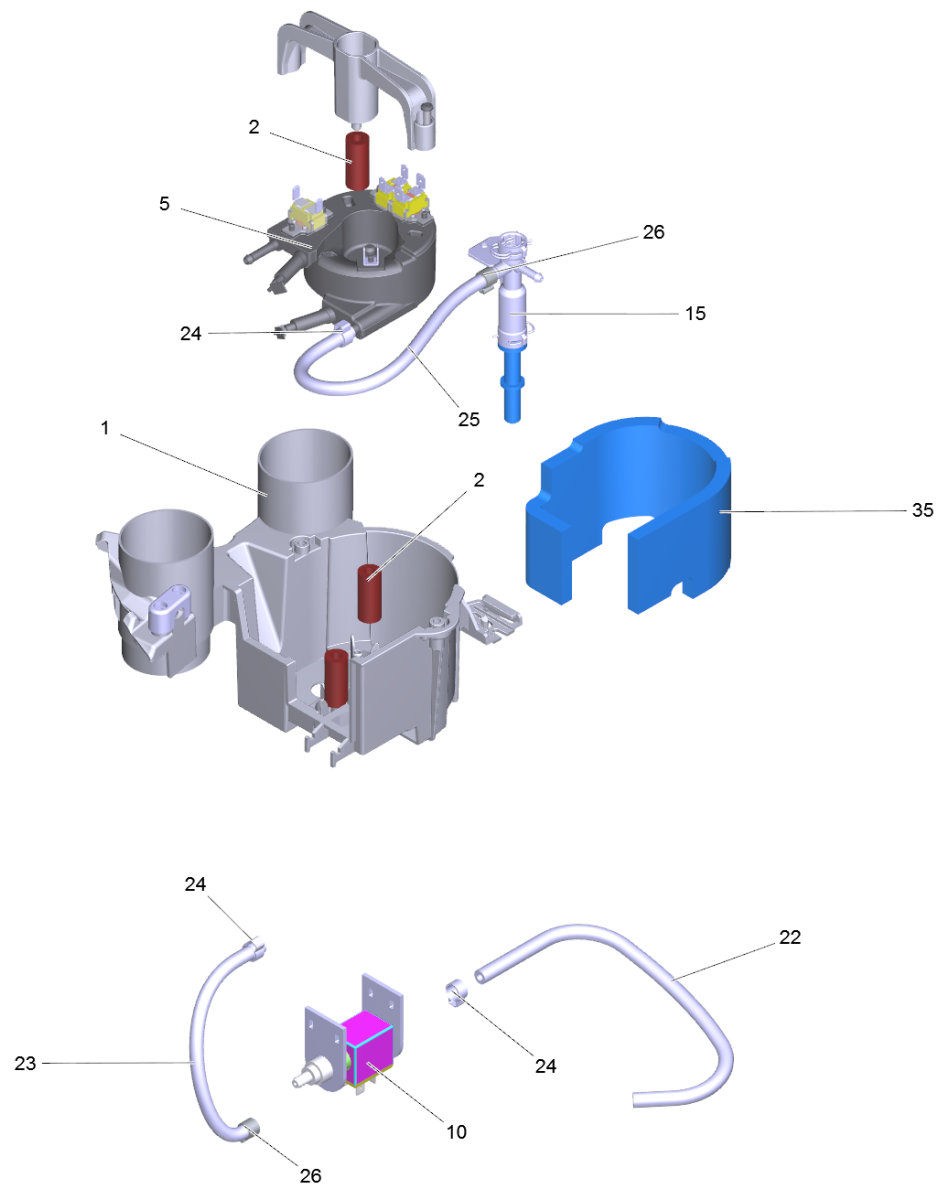




## 40 Steam generator complete SC 3

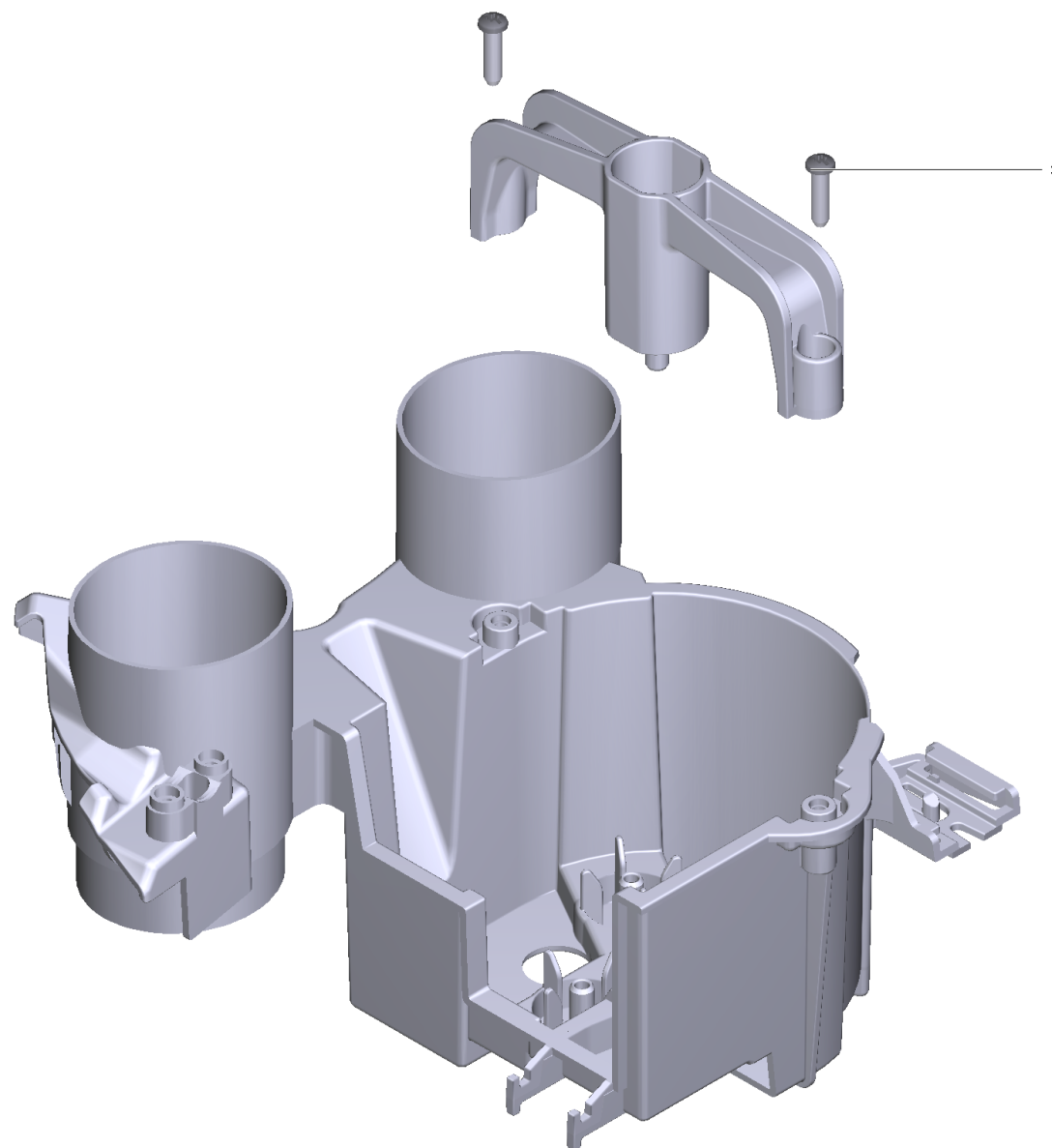
---

POS	Article no.	Description	Quantity	Unit
10	4.039-235.0	Cable set replacement SC 3	1.000	ST
11	6.649-797.0	Cable with plug EU 4m	1.000	ST
5	5.585-066.0	Clamp	1.000	ST
14	6.303-199.0	Oval head screw 4,2x 16	2.000	ST
6	4.413-000.0	Pressure controller replacement 0,21 MPa	1.000	ST
13	5.034-505.0	Retaining bracket cable	1.000	ST
1		Steam generator pre-assembled	1.000	ST



## 1 Steam generator pre-assembled

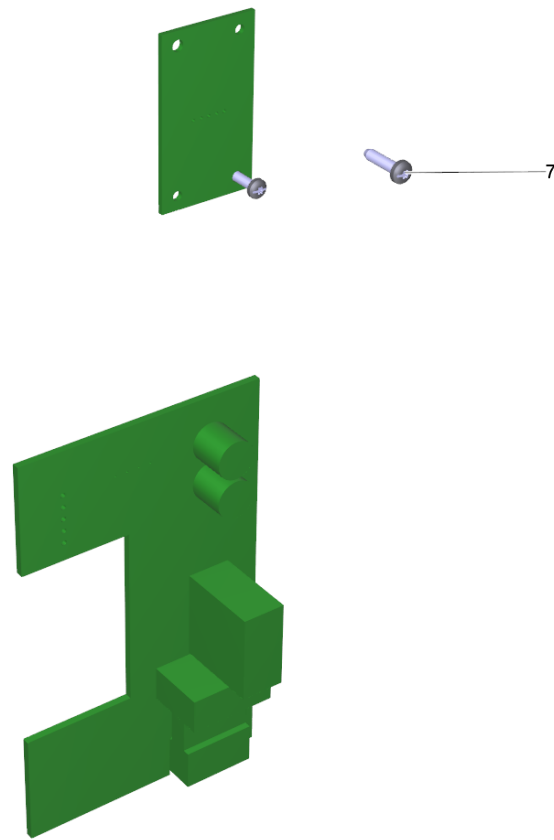
POS	Article no.	Description	Quantity	Unit	Foot note text
2	6.512-038.0	Bearing rubber	4.000	ST	
1	4.512-095.0	Carrier complete replacement DLE SC 3	1.000	ST	
5	4.585-033.0	Flow heater complete replacement SC 3	1.000	ST	
22	6.391-336.0	Hose	0.275	M	TO ORDER AS CUT GOODS
24	6.389-993.0	Hose clip 7,5 - 9,0	3.000	ST	
26	6.389-882.0	Hose clip 8,5-10,0	2.000	ST	
25	6.389-016.0	Hose silicon DN4.5-Poly	0.230	M	TO ORDER AS CUT GOODS
23	6.389-016.0	Hose silicon DN4.5-Poly	0.150	M	TO ORDER AS CUT GOODS
35	5.585-067.0	Insulating DLE	1.000	ST	
10	4.512-096.0	Pump complete replacement SC 3	1.000	ST	
15	4.580-021.0	Safety valve complete replacement SC 3	1.000	ST	



1 Carrier complete replacement DLE SC 3 (4.512-095.0)

---

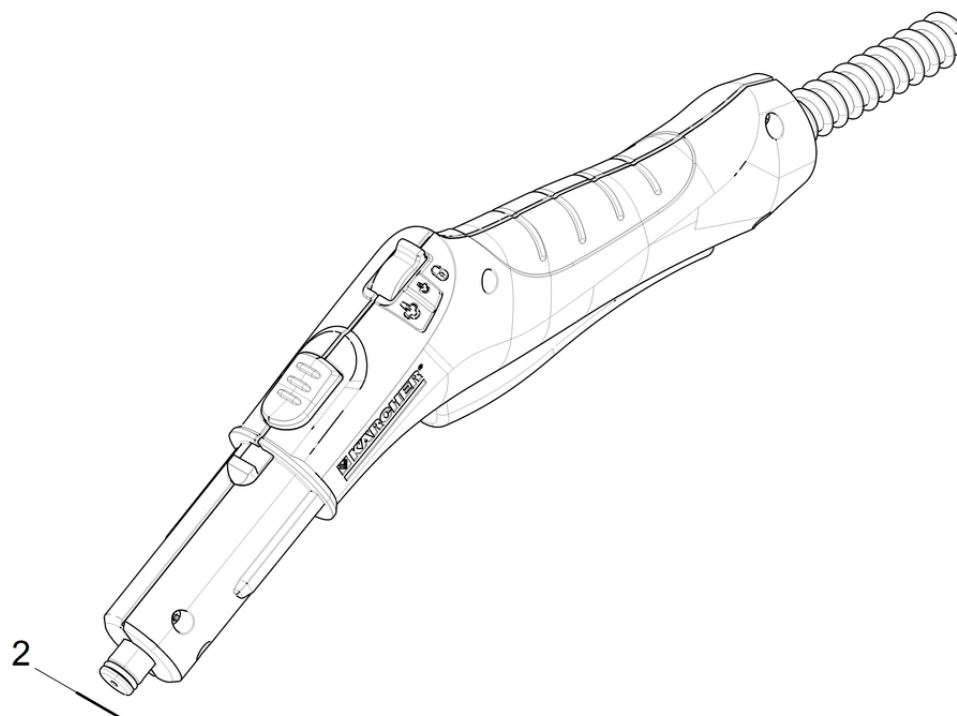
<b>POS</b>	<b>Article no.</b>	<b>Description</b>	<b>Quantity</b>	<b>Unit</b>
3	6.303-199.0	Oval head screw 4,2x 16	2.000	ST



74 Electronics complete replacement SC 3 NE (4.512-110.0)

---

<b>POS</b>	<b>Article no.</b>	<b>Description</b>	<b>Quantity</b>	<b>Unit</b>
7	6.303-567.0	Screw with spike 3x12 Kombitorx T8	2.000	ST





120 Steam hose without plug bk/gy (4.321-997.0)

---

<b>POS</b>	<b>Article no.</b>	<b>Description</b>	<b>Quantity</b>	<b>Unit</b>
1	6.362-922.0	O-Ring seal 8,73x1,78	1.000	ST

---



144 Point jet nozzle complete PA (4.130-021.0)

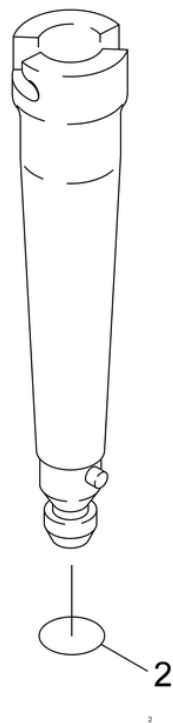
---

<b>POS</b>	<b>Article no.</b>	<b>Description</b>	<b>Quantity</b>	<b>Unit</b>
2	6.362-186.0	O-Ring seal 7,65X 1,78	1.000	ST

147 Extension pipe bk/gy (4.127-027.0)

---

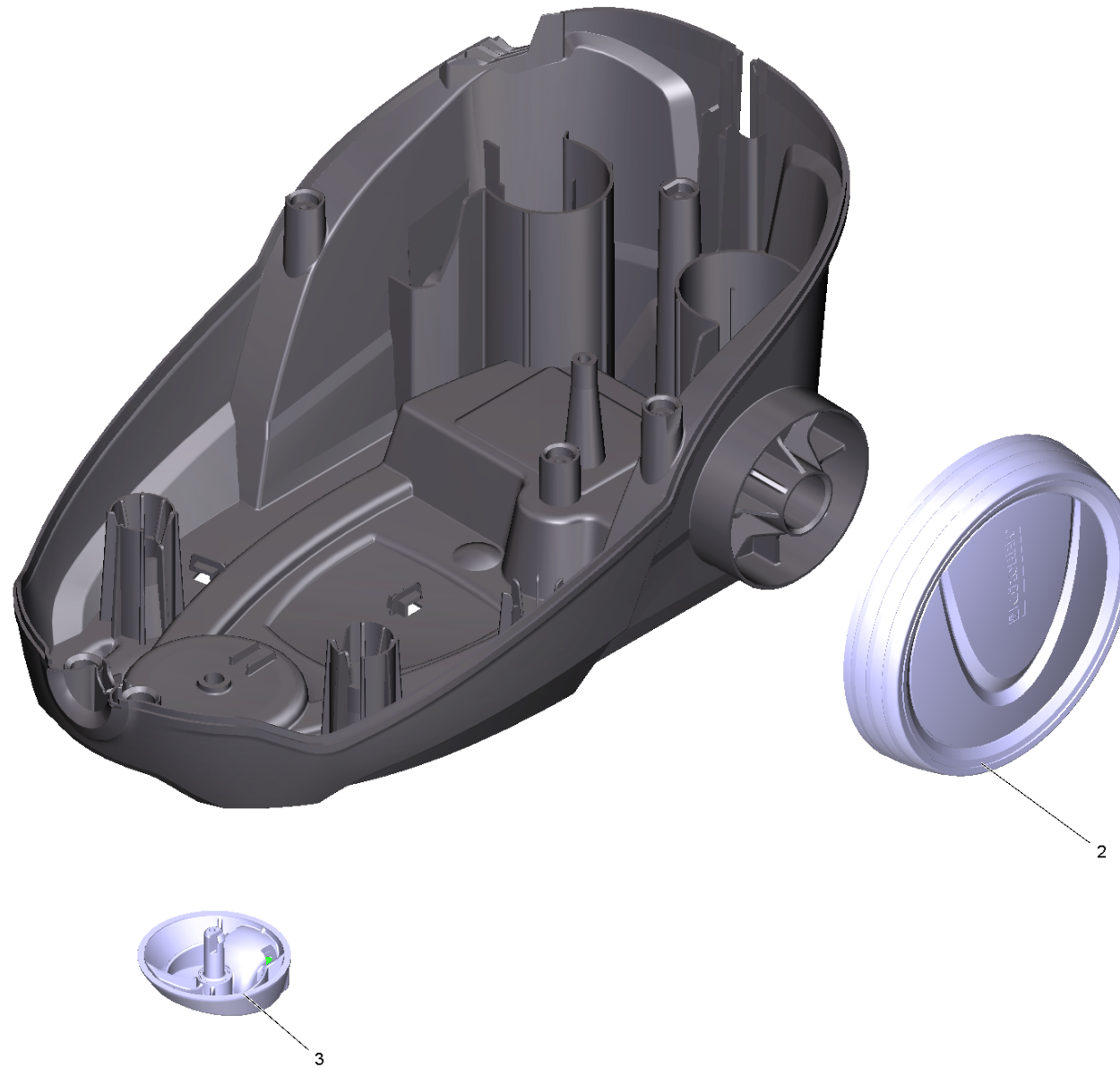
<b>POS</b>	<b>Article no.</b>	<b>Description</b>	<b>Quantity</b>	<b>Unit</b>
4	6.362-922.0	O-Ring seal 8,73x1,78	1.000	ST



148 Power nozzle (2.884-282.0)

---

<b>POS</b>	<b>Article no.</b>	<b>Description</b>	<b>Quantity</b>	<b>Unit</b>
2	6.362-924.0	O-Ring seal 6,02X 2,62	1.000	ST

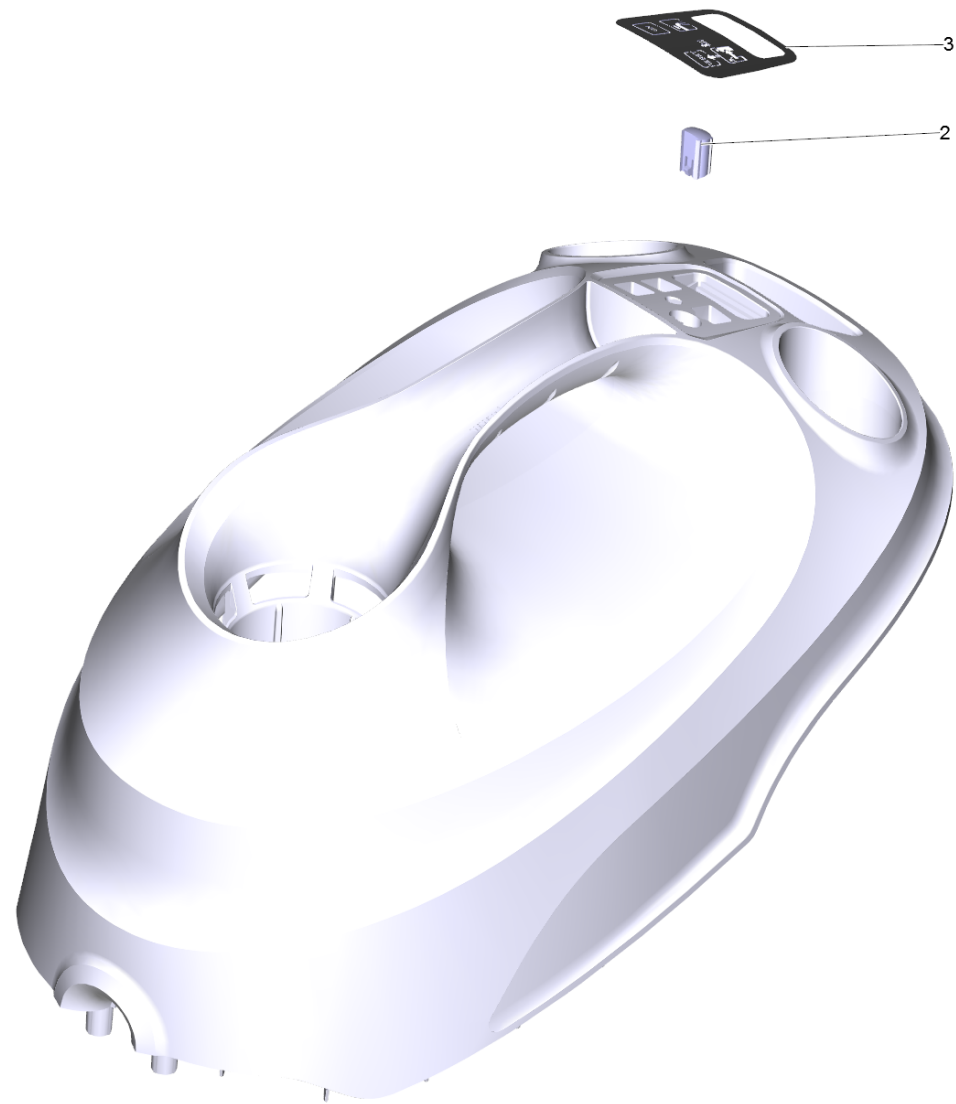


9001 Bottom housing complete replacement SC 3 (4.512-091.0)

---

<b>POS</b>	<b>Article no.</b>	<b>Description</b>	<b>Quantity</b>	<b>Unit</b>
3	4.512-073.0	Castor complete	1.000	ST
2	5.515-046.0	Wheel 2014	2.000	ST





9002 Upper housing complete replacement SC 3 (4.512-109.0)

---

<b>POS</b>	<b>Article no.</b>	<b>Description</b>	<b>Quantity</b>	<b>Unit</b>
3	5.512-206.0	Foil display	1.000	ST
2	5.512-209.0	Slide of a press SC 3	1.000	ST