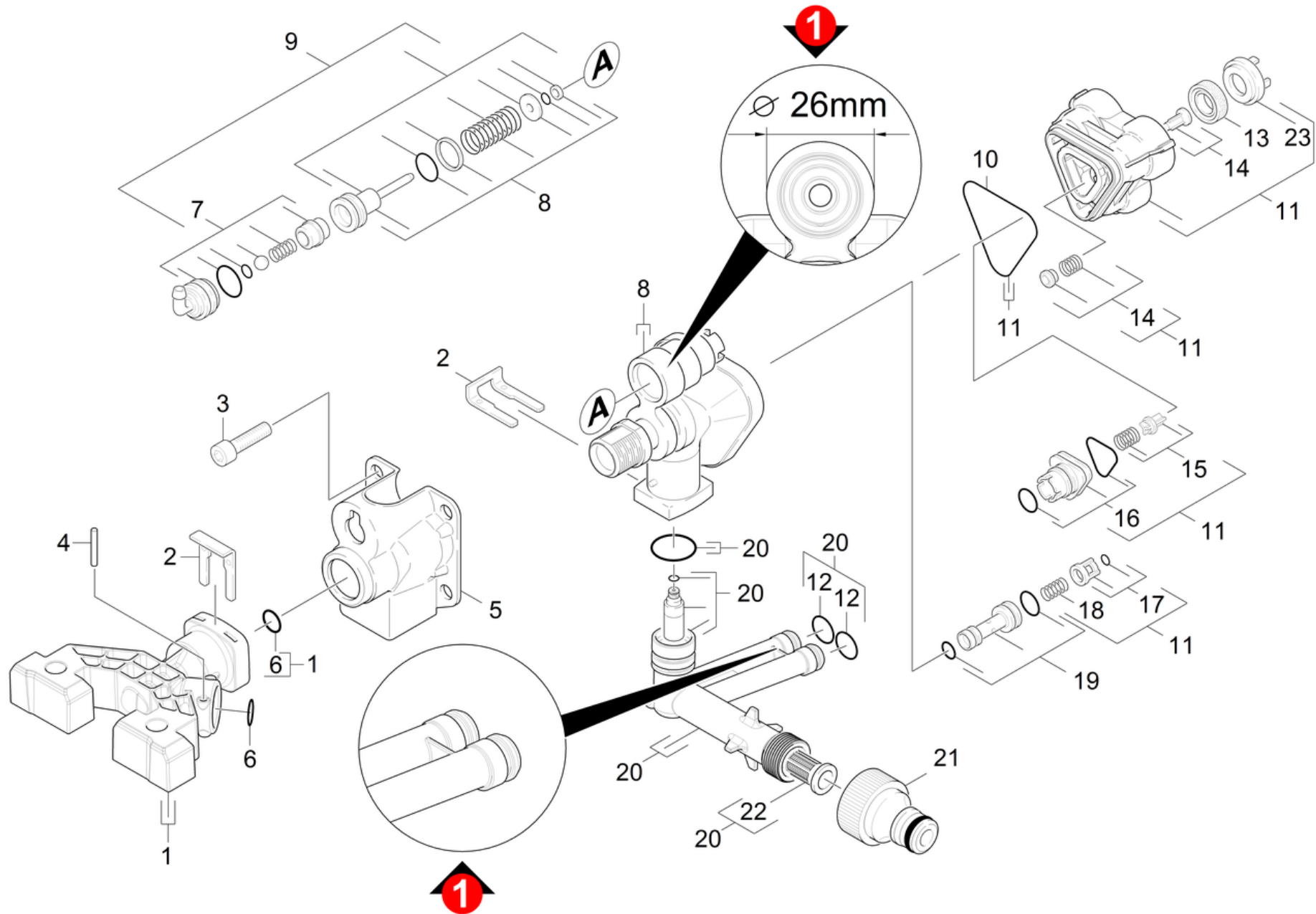


# 21 Steuergehäuse

Home and Garden \ Hochdruckreiniger Kaltwasser \ Elektromotor \ K 4 \ K 4 Premium Car \*EU \ ETL K4 Premium \ Pumpensatz \ Steuergehäuse



## 21 Steuergehaeuse

Home and Garden \ Hochdruckreiniger Kaltwasser \ Elektromotor \ K 4 \ K 4 Premium Car \*EU \ ETL K4 Premium \ Pumpensatz \ Steuergehaeuse



| POS | Artikelnr.                                                                                                     | Beschreibung                  | Quantity | Unit | Fußnotentext                       |
|-----|----------------------------------------------------------------------------------------------------------------|-------------------------------|----------|------|------------------------------------|
| 7   | 9.001-741.0                                                                                                    | Ansaugung RM fuer Ersatz      | 1.000    | ST   |                                    |
| 21  | 6.465-031.0                                                                                                    | Anschluss 3/4                 | 1.000    | ST   |                                    |
| 1   | 9.001-750.0                                                                                                    | Anschluss Druckseite          | 1.000    | ST   |                                    |
| 5   | 9.039-308.0                                                                                                    | Deckel K130                   | 1.000    | ST   |                                    |
| 12  | 9.080-455.0                                                                                                    | Dichtung 10x2,8               | 2.000    | ST   |                                    |
| 9   | 9.001-928.0                                                                                                    | ET-Satz                       | 1.000    | ST   |                                    |
| 20  | 9.001-782.0                                                                                                    | ET-Satz Saugseite             | 1.000    | ST   |                                    |
| 15  | 9.001-149.0                                                                                                    | ET-Satz Ventil                | 1.000    | ST   | SET BESTEHEND AUS 3X VENTIL        |
| 11  | 9.001-693.0                                                                                                    | ET-Satz Zylinderkopf WCP      | 1.000    | ST   |                                    |
|     | <b>Positionstext1:</b> all other machines                                                                      |                               |          |      |                                    |
| 18  | 9.047-026.0                                                                                                    | Feder                         | 1.000    | ST   |                                    |
| 22  | 5.731-598.0                                                                                                    | Feinfilter lang               | 1.000    | ST   |                                    |
| 10  | 9.081-422.0                                                                                                    | Formdichtung                  | 1.000    | ST   |                                    |
| 14  | 9.001-110.0                                                                                                    | Formteil kpl.                 | 1.000    | ST   | SET BESTEHEND AUS 3X FORMTEIL KPL. |
| 19  | 9.001-108.0                                                                                                    | Injektor kpl.                 | 1.000    | ST   |                                    |
| 17  | 9.001-107.0                                                                                                    | Kaefig kpl.                   | 1.000    | ST   |                                    |
| 2   | 9.039-148.0                                                                                                    | Klammer                       | 2.000    | ST   |                                    |
| 13  | 6.362-875.0                                                                                                    | Nutring                       | 3.000    | ST   |                                    |
| 6   | 6.362-151.0                                                                                                    | O-Ring 10 x 2 NBR 70          | 2.000    | ST   |                                    |
| 3   | 9.086-200.0                                                                                                    | Schraube M 8x55 Class 8.8     | 4.000    | ST   |                                    |
| 4   | 9.039-370.0                                                                                                    | Stift fuer Rahmen             | 2.000    | ST   |                                    |
| 23  | 9.037-059.0                                                                                                    | Stuetzring                    | 3.000    | ST   |                                    |
|     | <b>Positionstext1:</b> all other machines                                                                      |                               |          |      |                                    |
| 23  | 9.038-428.0                                                                                                    | Stuetzring 6,7 mm             | 3.000    | ST   |                                    |
|     | <b>Positionstext1:</b> 1.180-302.0/-310.0/-311.0/-312.0/-313.0/<br><b>Positionstext2:</b> -314.0/-315.0/-321.0 |                               |          |      |                                    |
| 8   | 9.002-010.0                                                                                                    | UBS Steuergehaeuse new D=22mm | 1.000    | ST   |                                    |
| 16  | 9.001-106.0                                                                                                    | Verbindungsstueck             | 1.000    | ST   |                                    |
| 11  | 9.001-999.0                                                                                                    | Zylinderkopf                  | 1.000    | ST   |                                    |
|     | <b>Positionstext1:</b> 1.180-302.0/-310.0/-311.0/-312.0/-313.0/<br><b>Positionstext2:</b> -314.0/-315.0/-321.0 |                               |          |      |                                    |