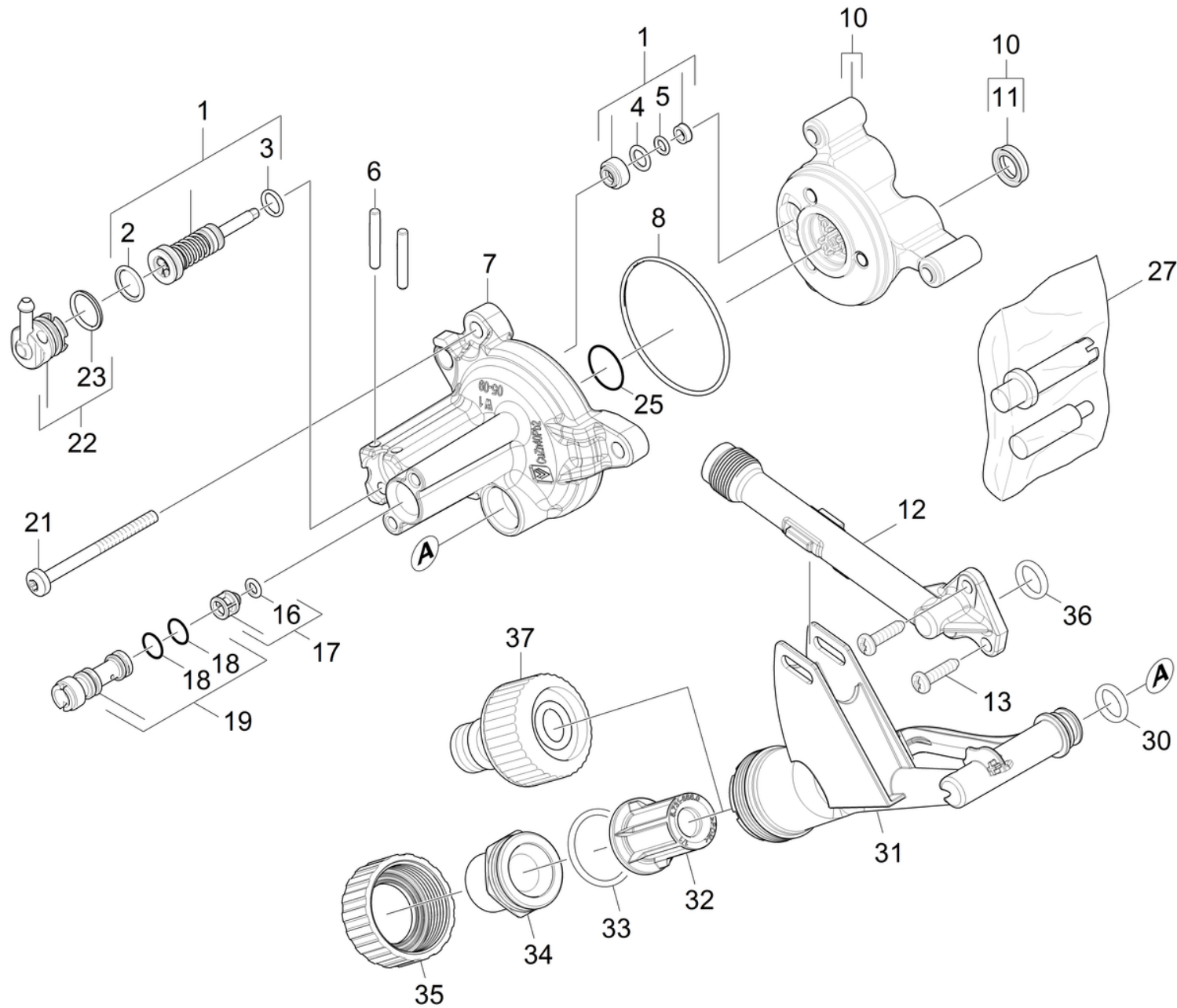


# 21 Cylinder head

Professional \ High pressure cleaner cold water \ Electric motor \ HD 5/15 C Plus \*EU \ Spare parts list HD 5/15 C Plus \*EU \ Pump set \ Cylinder head



## 21 Cylinder head

Professional \ High pressure cleaner cold water \ Electric motor \ HD 5/15 C Plus \*EU \ Spare parts list HD 5/15 C Plus \*EU \ Pump set \ Cylinder head



POS	Article no.	Description	Quantity	Unit
37	2.645-010.0	Tap adaptor for inhouse fittings	1	PC
	<b>Item text1:</b> 1.520-132.0			
100	2.885-377.0	Pump set HDC	1	PC
1	2.885-408.0	Control piston complete replacement	1	PC
27	2.901-049.0	Set from valve retainer and drive-in man	1	PC
10	4.550-942.0	Cylinder head complete brass	1	PC
22	4.580-702.0	Plug complete	1	PC
17	4.584-022.0	Valve pin complete	1	PC
19	4.769-035.0	Nozzle insert	1	PC
7	5.062-390.3	Housing for replacement HD-C	1	PC
35	5.064-465.0	Nut water intake	1	PC
34	5.064-517.0	Connection piece water intake G 3/4 A	1	PC
6	5.314-150.0	Pin	2	PC
31	5.443-672.0	Tube water intake	1	PC
32	5.731-059.0	Filter cartridge with cone (mesh 100)	1	PC
12	5.789-064.3	High-pressure outlet	1	PC
23	6.362-030.0	O-Ring seal 15x2 90 Shore IRHD	1	PC
4	6.362-101.0	O-Ring seal 8 X 2	1	PC
36	6.362-151.0	O-Ring d. 10 x 2 NBR 70	1	PC
2	6.362-381.0	O-Ring seal 13x2 - NBR 70	1	PC
18	6.362-384.0	O-Ring seal 9x1,5 - NBR 70	2	PC
25	6.362-562.0	O-Ring seal 21,95X 1,78-NBR 90	1	PC
11	6.363-435.0	Grooved ring 12x17x4,25/2,5	3	PC
33	6.363-437.0	O-Ring seal 30x3	1	PC
5	6.363-606.0	O-Ring seal 4,7 x 1,9 -NBR70	1	PC
30	6.363-610.0	O-Ring seal 13 x 3 -NBR	1	PC
16	6.363-613.0	O-Ring seal 4 x 2 -NBR90	1	PC
3	6.363-614.0	O-Ring seal 9 x 2 -NBR90	1	PC
8	6.363-616.0	O-Ring seal 60,0x2,0 -NBR70	1	PC
13	7.306-092.0	Screw M6x20-ST- 8.8-R3R (IN6RD)	2	PC
21	7.306-268.0	Screw M6x70 -8.8-R3R (In6Rd)	3	PC