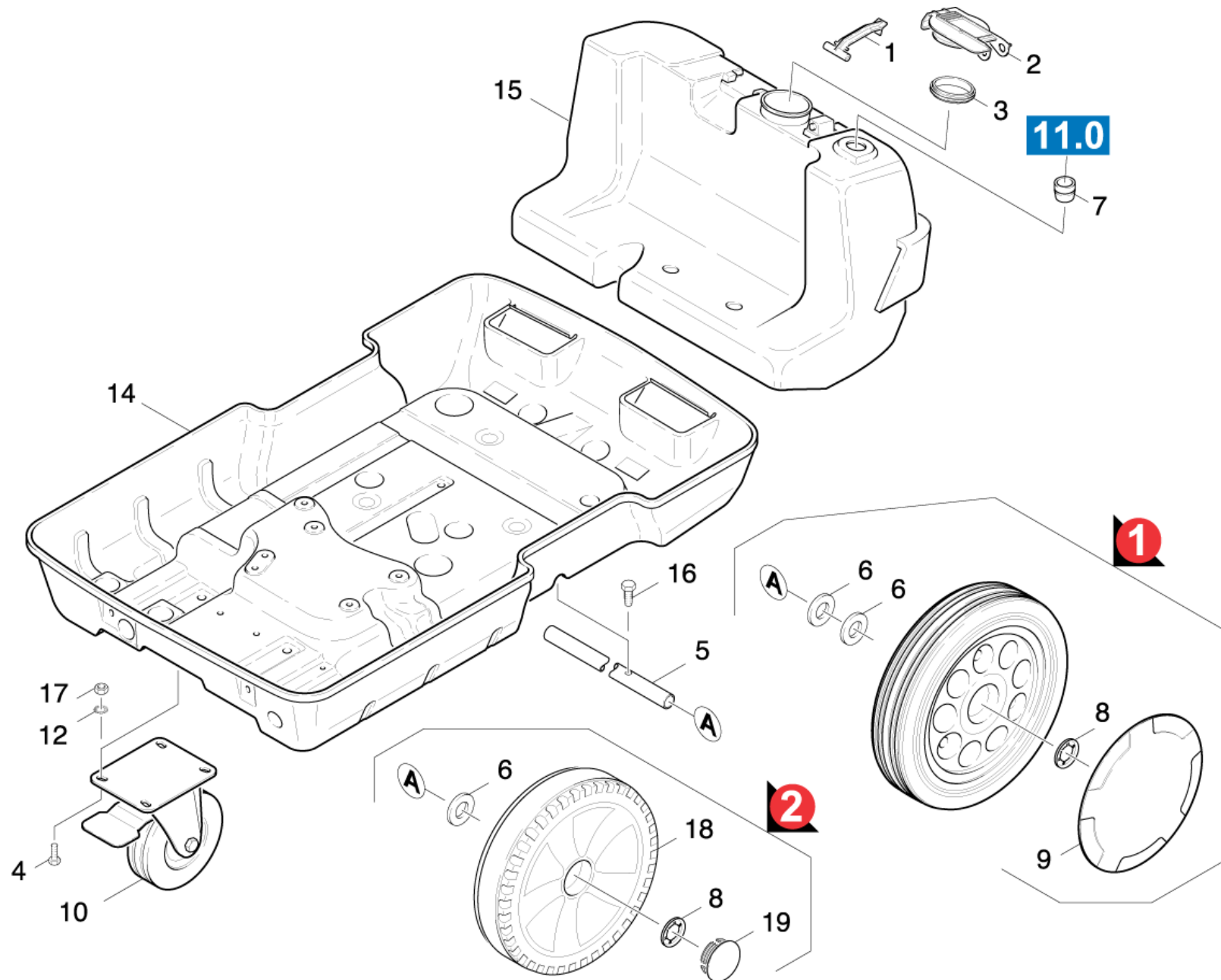


## 12 Base frame

Professional \ High pressure cleaner hotwater \ Electric motor \ HDS 695 S \*EU \ Spare parts list HDS 695 S \*EUR \ Individual parts \ Base frame



## 12 Base frame

Professional \ High pressure cleaner hotwater \ Electric motor \ HDS 695 S \*EU \ Spare parts list HDS 695 S \*EUR \ Individual parts \ Base frame

**KÄRCHER**

| POS | Article no. | Description                             | Quantity | Unit |
|-----|-------------|---|----------|------|
| 1   | 5.042-463.0 | Holder                                  | 1        | ST   |
| 2   | 5.063-448.0 | Cover                                   | 1        | ST   |
| 3   | 5.363-300.0 | Joint ring                              | 1        | ST   |
| 4   | 7.304-395.0 | Hexagonal head screw M8x16-8.8-A2E ISO  | 4        | ST   |
| 5   | 5.105-163.0 | Axle                                    | 1        | ST   |
| 6   | 7.312-060.0 | Washer 24-100HV-A3E ISO 7091            | 4        | ST   |
| 7   | 5.365-147.0 | Profile gasket                          | 1        | ST   |
| 8   | 6.343-162.0 | Lock washer -25                         | 2        | ST   |
| 9   | 5.392-019.0 | Wheel cap                               | 2        | ST   |
| 10  | 6.435-071.0 | Castor 125                              | 1        | ST   |
| 12  | 7.312-166.0 | Toothed lock washer A8,4-FSt-A3E DIN 67 | 2        | ST   |
| 14  | 5.050-046.0 | Frame                                   | 1        | ST   |
| 15  | 5.071-047.0 | Tank chemistry                          | 1        | ST   |
| 16  | 6.303-031.0 | Screw M8x16-ST-R2R DIN 7500-1           | 2        | ST   |
| 17  | 7.311-004.0 | Hexagon nut M8 -8-A3E ISO 4032          | 4        | ST   |
| 18  | 4.515-092.0 | Wheel complete                          | 2        | ST   |
| 19  | 5.392-038.0 | Wheel cap                               | 2        | ST   |