

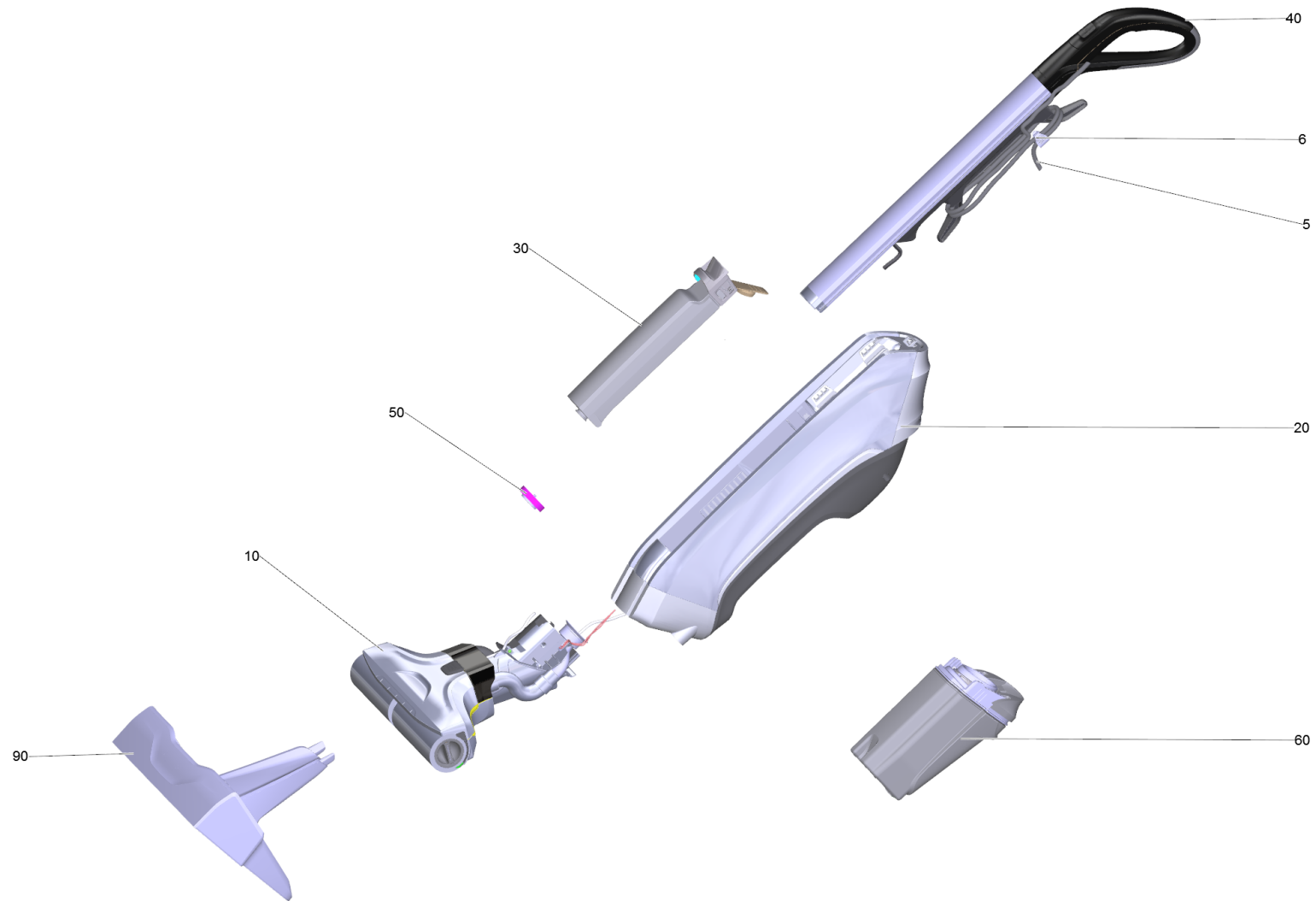
## **Spare parts list**

(1.055-520.0) FC 5 (white) \*EU

## Table of contents

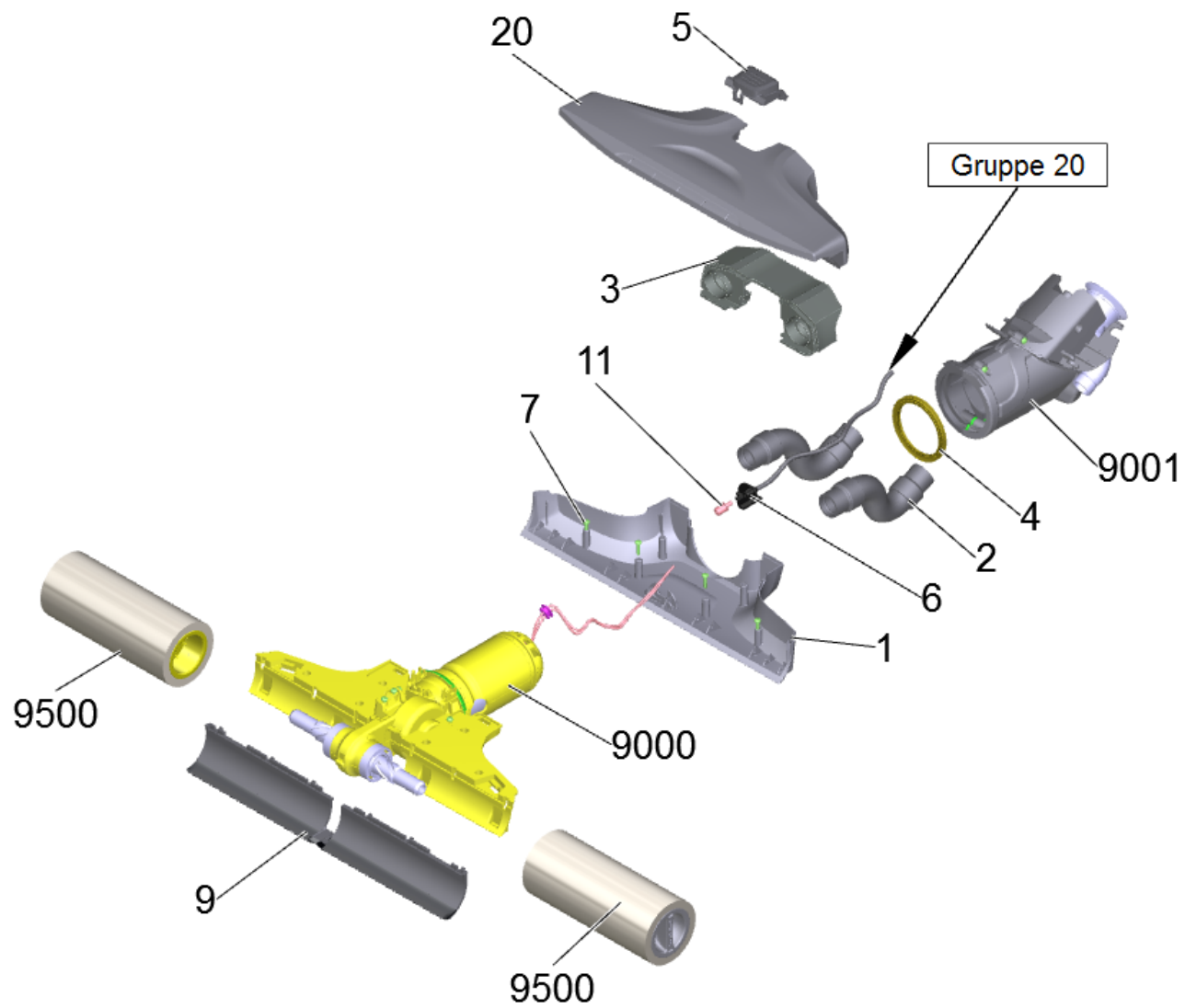
---

FC 5 (white) *EU (1.055-520.0)	3
10 Power brush complete white	5
20 Suction channel complete white f.E. (4.055-113.0)	7
9000 Housing transmission yellow f.E. (4.055-102.0)	9
9001 Joint housing grey for replacement (4.055-059.0)	11
20 Basic unit complete white	13
10 Components for blower	15
30 Water tank complete	17
40 Hand grip complete white	19
13 CABLE SET HANDLE	21
60 Dirt bin complete (4.055-030.0)	23
1010 Short spare parts list	25



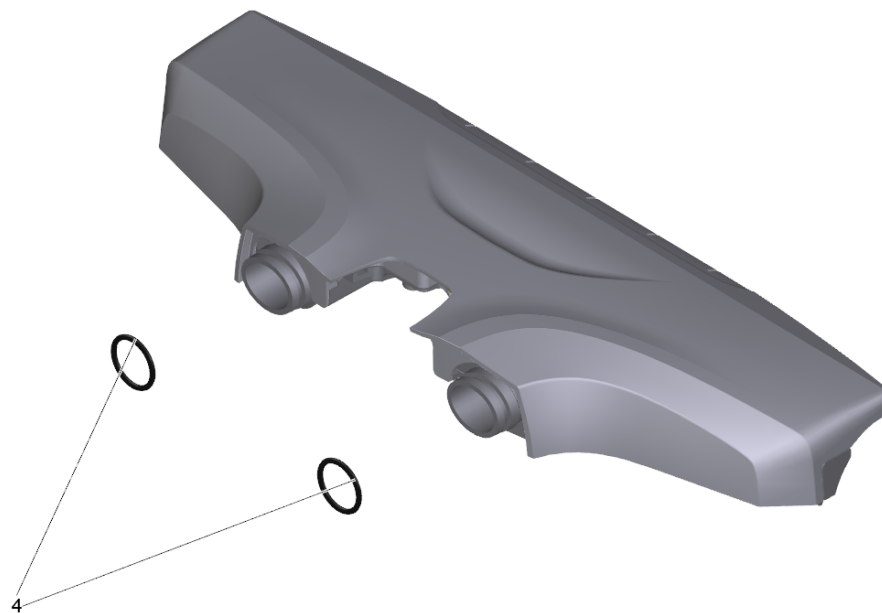
FC 5 (white) \*EU (1.055-520.0)

POS	Article no.	Description	Quantity	Unit
20		Basic unit complete white	1.000	ST
6	6.647-681.0	Cable clip	1.000	ST
5	6.650-511.0	Cable with plug FC 5 *EU	1.000	ST
90	5.055-483.0	Cleaning station	1.000	ST
60	4.055-030.0	Dirt bin complete	1.000	ST
50	4.055-110.0	Filter complete for replacement	1.000	ST
40		Hand grip complete white	1.000	ST
10		Power brush complete white	1.000	ST
1010		Short spare parts list	1.000	ST
30		Water tank complete	1.000	ST



## 10 Power brush complete white

POS	Article no.	Description	Quantity	Unit
3	5.055-473.0	Covering cap hose connection grey	1.000	ST
1	5.055-461.0	Covering cap power brush grey	1.000	ST
6	5.055-432.0	Hose connection	1.000	ST
11	5.055-506.0	Hose stem	1.000	ST
9000	4.055-102.0	Housing transmission yellow f.E.	1.000	ST
9001	4.055-059.0	Joint housing grey for replacement	1.000	ST
5	5.055-431.0	Locking part suction nozzle black	1.000	ST
7	6.633-012.0	Oval head screw 3x12	10.000	ST
9500	2.055-007.0	Set of rollers grey set grau	1.000	ST
9500	2.055-006.0	Set of rollers yellow set gelb	1.000	ST
20	4.055-113.0	Suction channel complete white f.E.	1.000	ST
2	6.901-002.0	Suction hose complete	2.000	ST
9	5.055-410.0	Sweep edge	1.000	ST

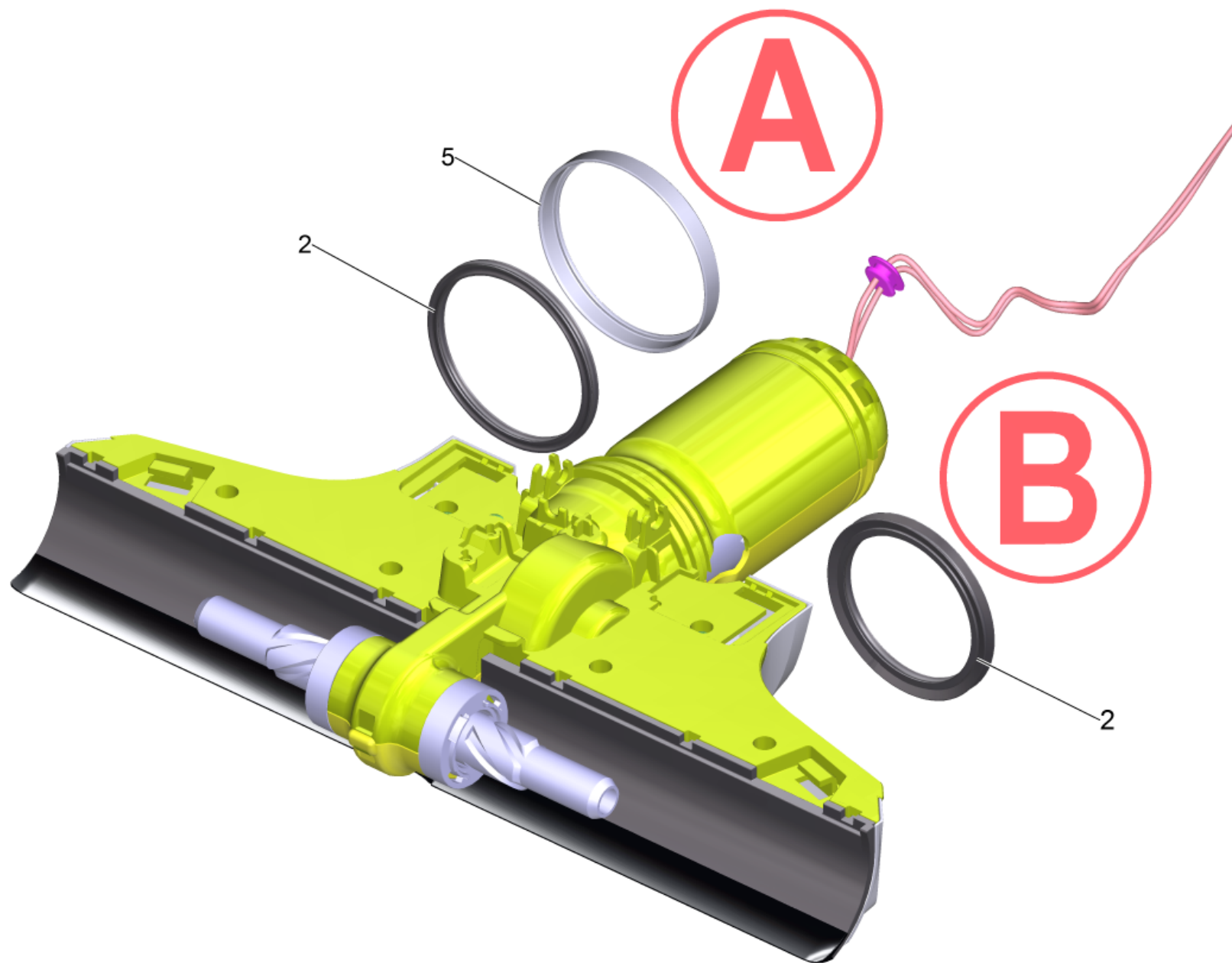


20 Suction channel complete white f.E. (4.055-113.0)

---

<b>POS</b>	<b>Article no.</b>	<b>Description</b>	<b>Quantity</b>	<b>Unit</b>
4	6.362-580.0	O-Ring seal 17,0 X 2,0-NBR 70	2.000	ST

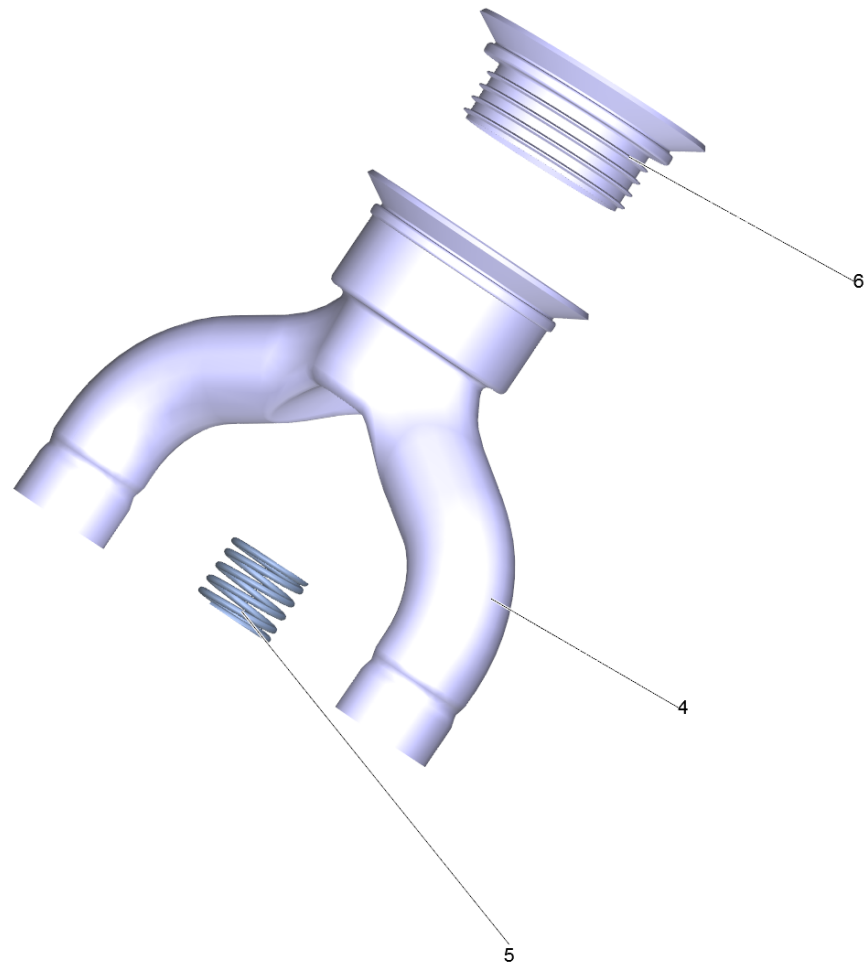




9000 Housing transmission yellow f.E. (4.055-102.0)

---

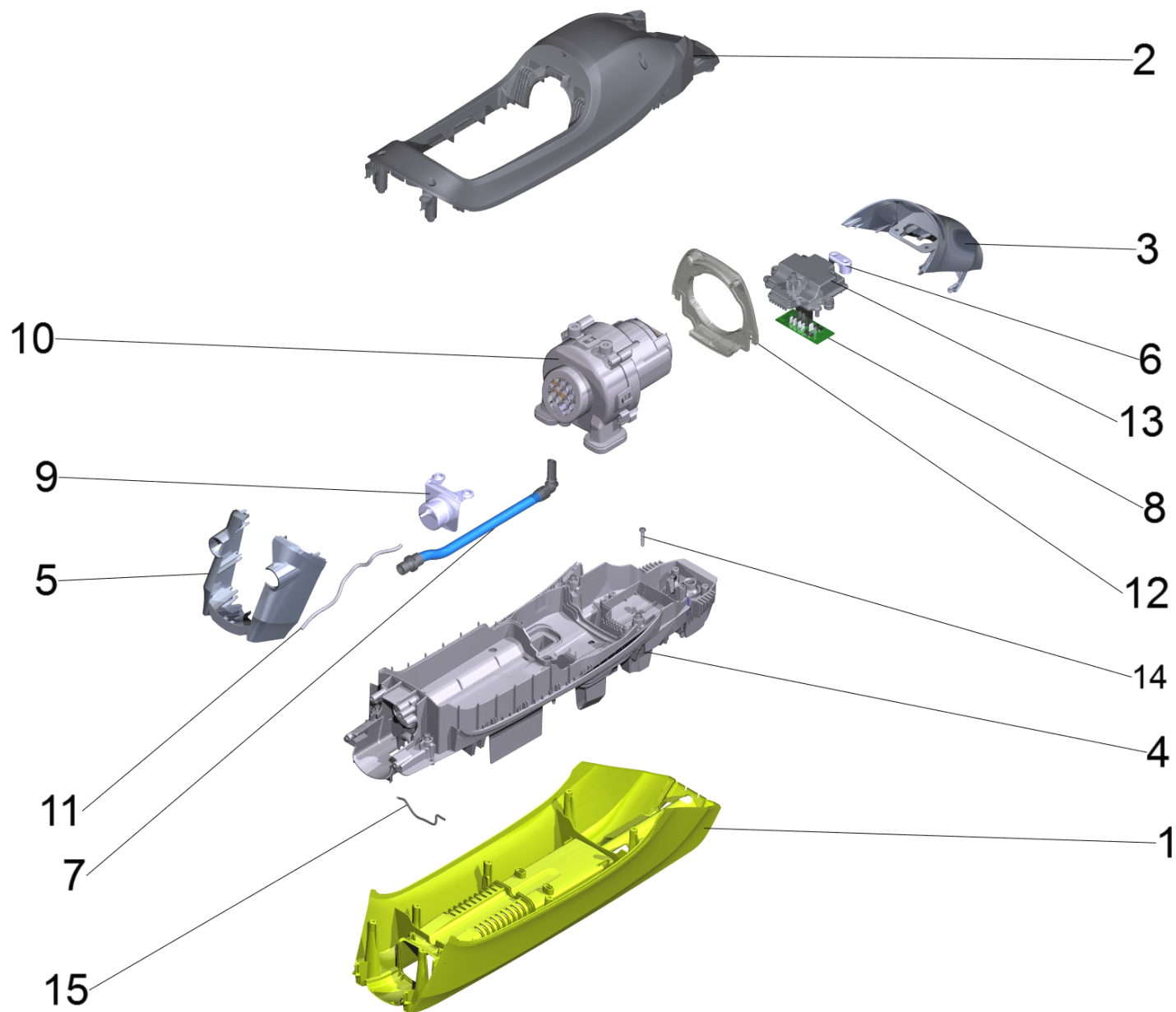
<b>POS</b>	<b>Article no.</b>	<b>Description</b>	<b>Quantity</b>	<b>Unit</b>	<b>Foot note text</b>
2	6.363-711.0	Joint ring Quad	1.000	ST	VERSION A
5	5.055-505.0	Metal ring	1.000	ST	VERSION A
2	5.055-430.0	Seal	1.000	ST	VERSION B



9001 Joint housing grey for replacement (4.055-059.0)

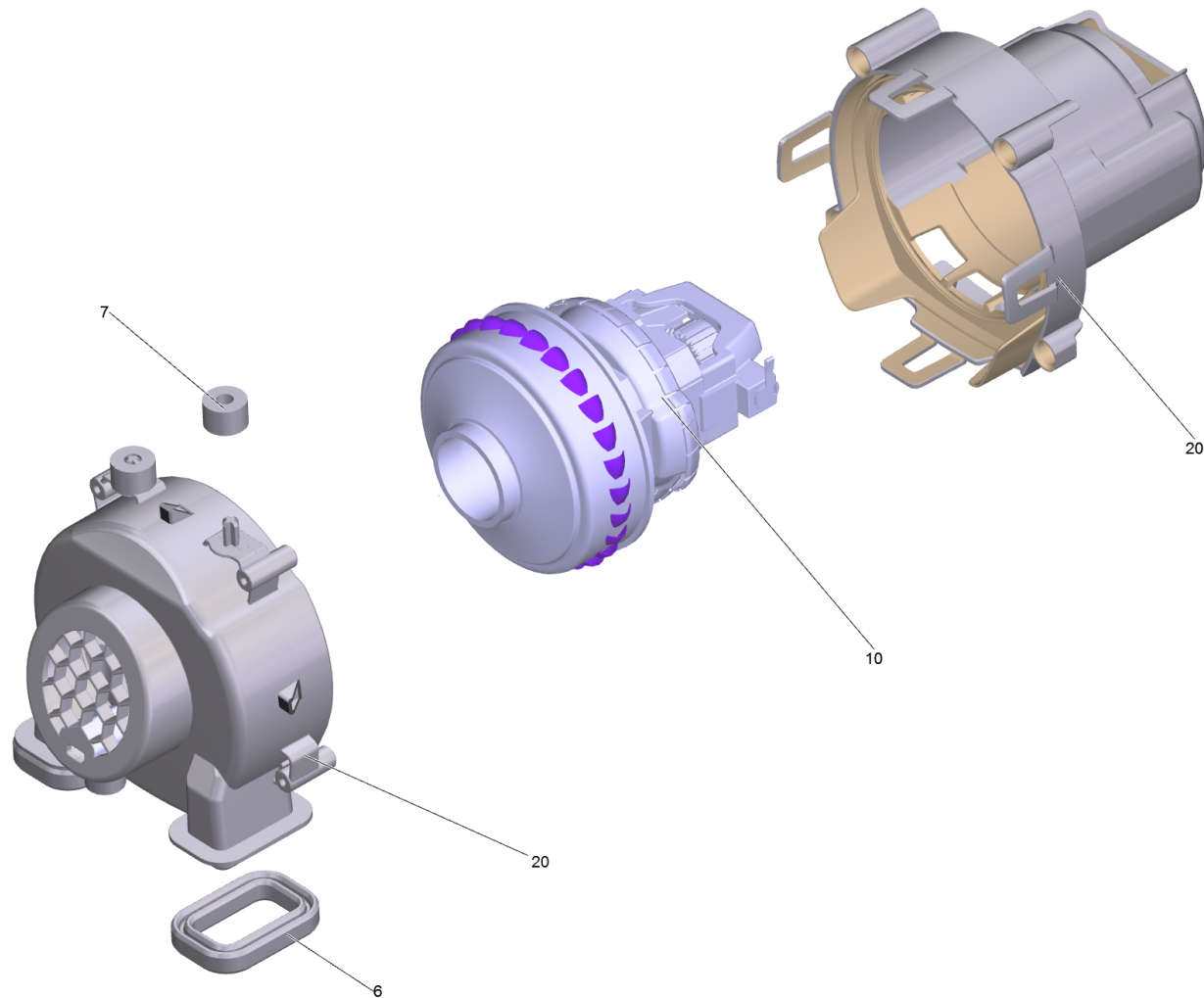
---

<b>POS</b>	<b>Article no.</b>	<b>Description</b>	<b>Quantity</b>	<b>Unit</b>
4	5.055-419.0	Connection extraction system	1.000	ST
5	6.330-123.0	Pressure spring	1.000	ST
6	5.055-404.0	Seal intake dirt box	1.000	ST



## 20 Basic unit complete white

POS	Article no.	Description	Quantity	Unit
4	5.055-463.0	Bracket yellow	1.000	ST
12	5.055-058.0	Bulkhead blower	1.000	ST
10		Components for blower	1.000	ST
3	5.055-464.0	Covering cap above white	1.000	ST
5	5.055-465.0	Covering cap bottom white	1.000	ST
1	5.055-462.0	Covering cap front white	1.000	ST
8	4.055-111.0	Electronics complete replacement FC 5	1.000	ST
7	4.055-019.0	Hose by-pass complete	1.000	ST
11	6.055-429.0	Hose fresh water	1.000	ST
13	5.055-452.0	Housing electronics	1.000	ST
2	5.055-030.0	Motor cover	1.000	ST
9	5.055-185.0	Retainer water tank	1.000	ST
6	5.034-505.0	Retaining bracket cable	1.000	ST
14	7.303-096.0	Screw 4x22 -ST-10.9-R2R (IN6RD)	10.000	ST
15	5.055-556.0	Seal bracket	1.000	ST

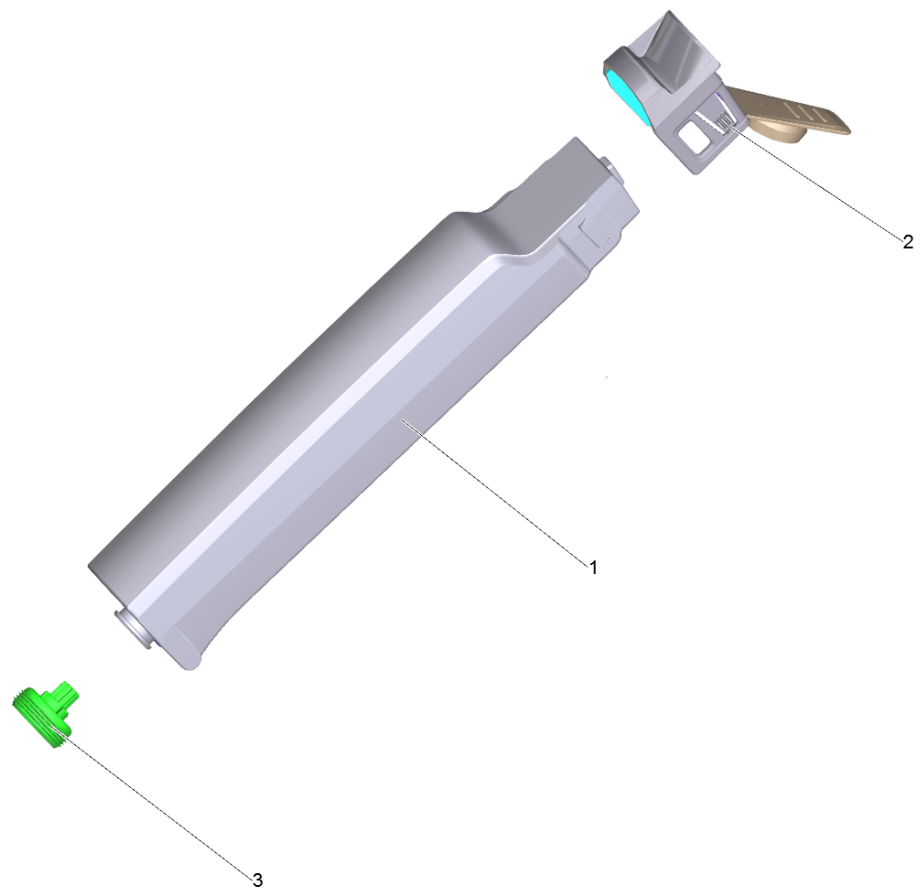


## 10 Components for blower

---

<b>POS</b>	<b>Article no.</b>	<b>Description</b>	<b>Quantity</b>	<b>Unit</b>
20	4.055-123.0	Air circulation set for Ersatz	1.000	ST
7	5.055-441.0	Rubber bearing	2.000	ST
6	5.055-061.0	Seal Prozessluft	2.000	ST
10	4.055-034.0	Vac motor for replacement	1.000	ST

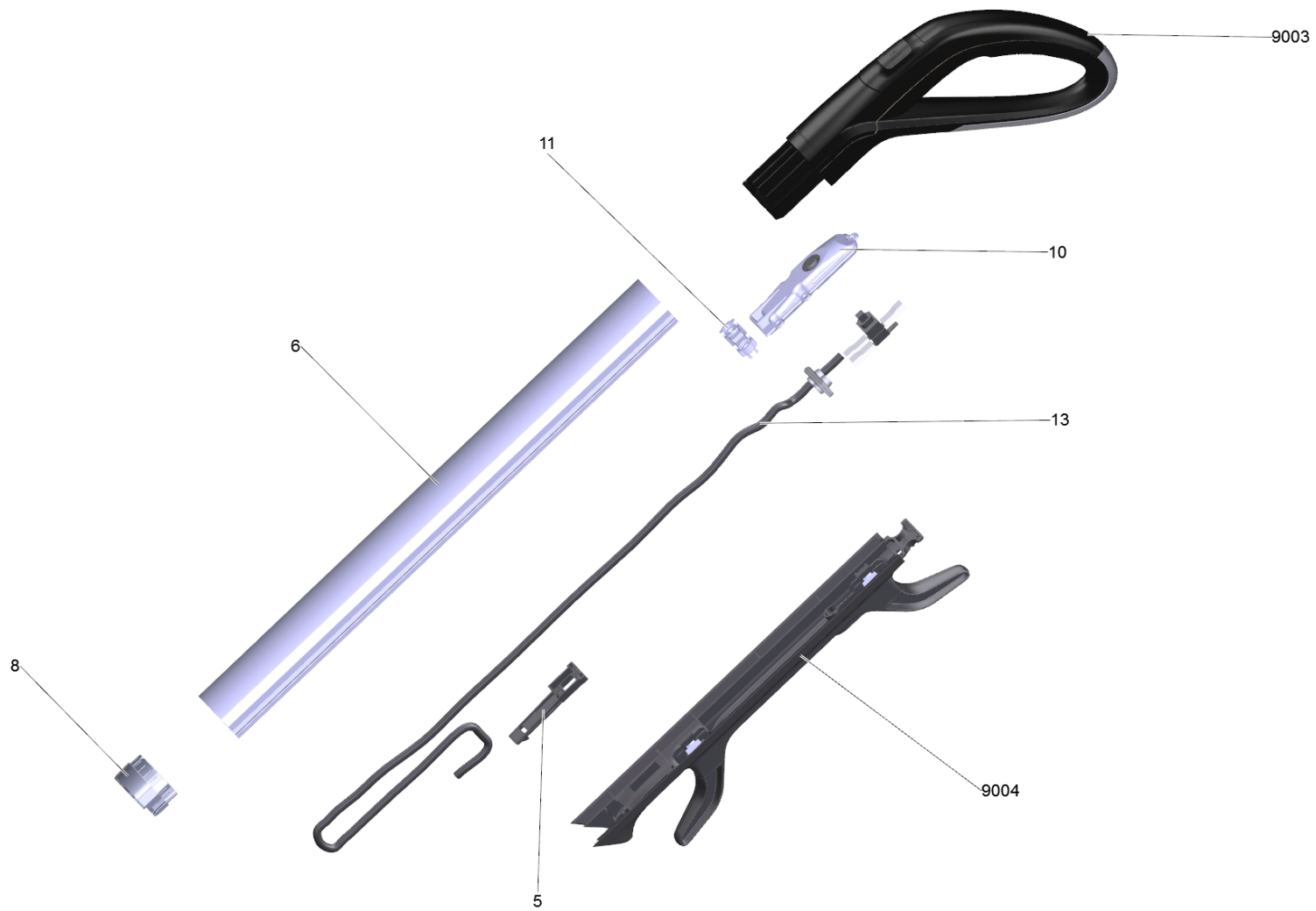




### 30 Water tank complete

---

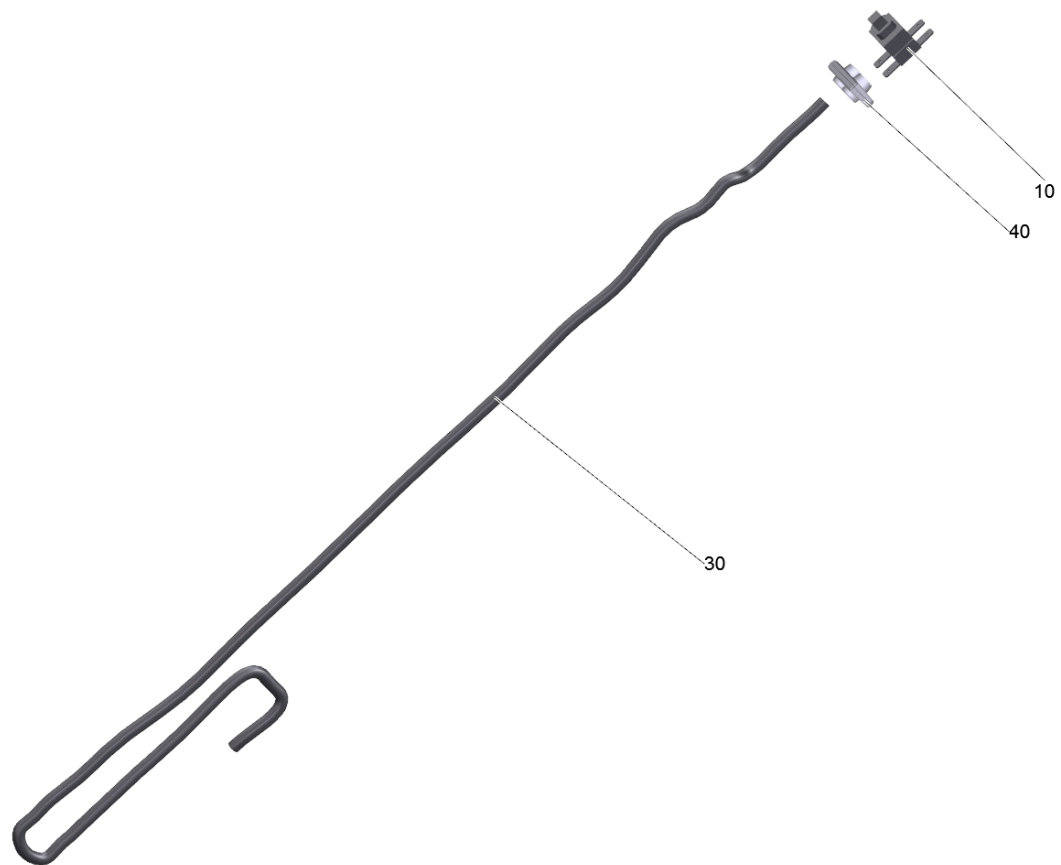
<b>POS</b>	<b>Article no.</b>	<b>Description</b>	<b>Quantity</b>	<b>Unit</b>
1	5.055-048.0	Fresh water tank	1.000	ST
2	5.055-049.0	Fresh water tank cover	1.000	ST
3	4.055-112.0	Valve complete for replacement	1.000	ST



## 40 Hand grip complete white

---

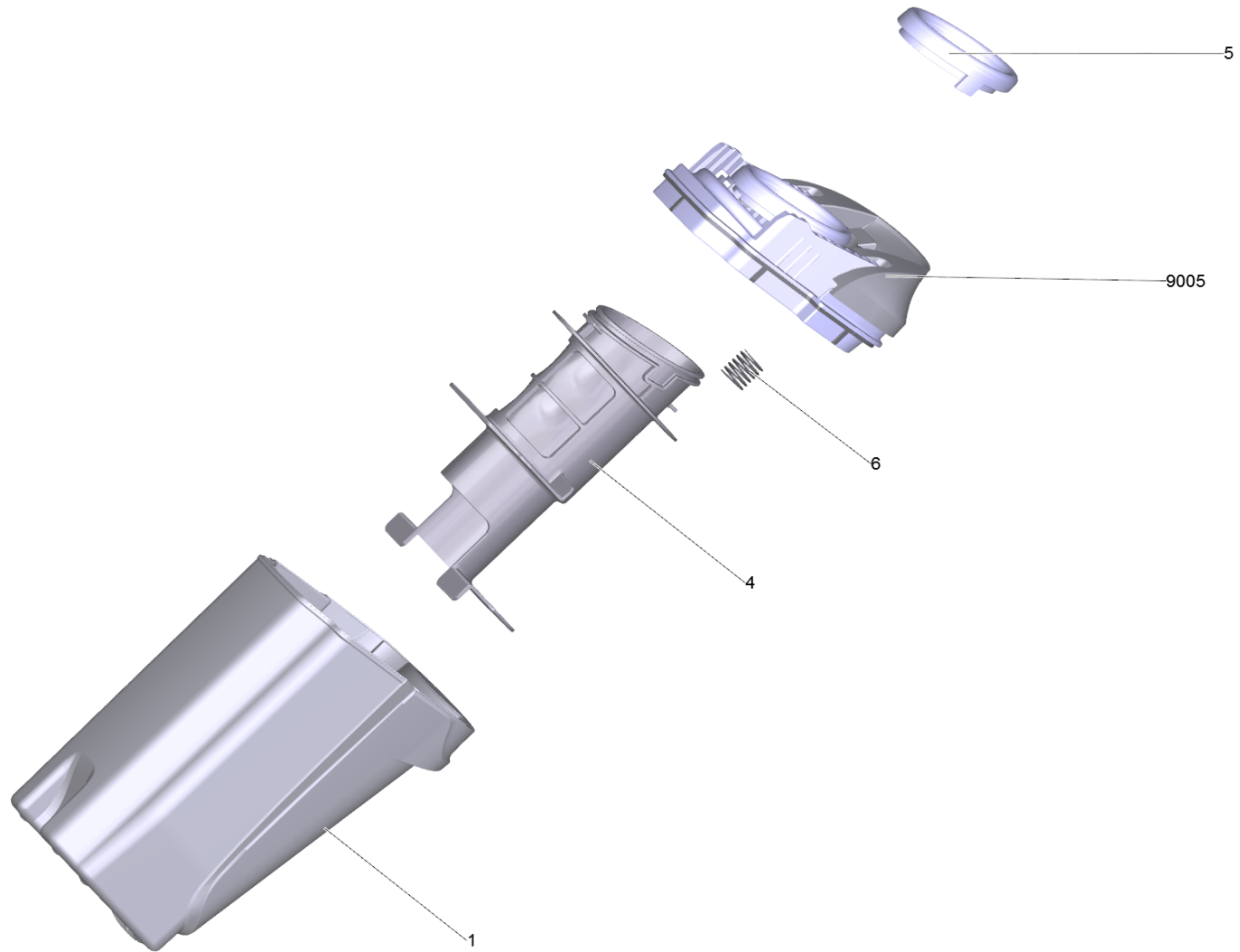
<b>POS</b>	<b>Article no.</b>	<b>Description</b>	<b>Quantity</b>	<b>Unit</b>
13		CABLE SET HANDLE	1.000	ST
8	5.055-251.0	Cap bottom	1.000	ST
9004	4.055-099.0	Catch for cable set grey	1.000	ST
10	5.055-256.0	Cover switch	1.000	ST
9003	4.055-088.0	Hand grip grey for replacement	1.000	ST
6	5.055-477.0	Profile aluminium printed	1.000	ST
5	5.055-239.0	Snap-fit	1.000	ST
11	5.055-207.0	Strain relief	1.000	ST



## 13 CABLE SET HANDLE

---

<b>POS</b>	<b>Article no.</b>	<b>Description</b>	<b>Quantity</b>	<b>Unit</b>
30	6.650-513.0	Cable hand grip FC 5 *EU	1.000	ST
40	5.055-460.0	Seal cable Handgriff	1.000	ST
10	6.630-816.0	Switch	1.000	ST

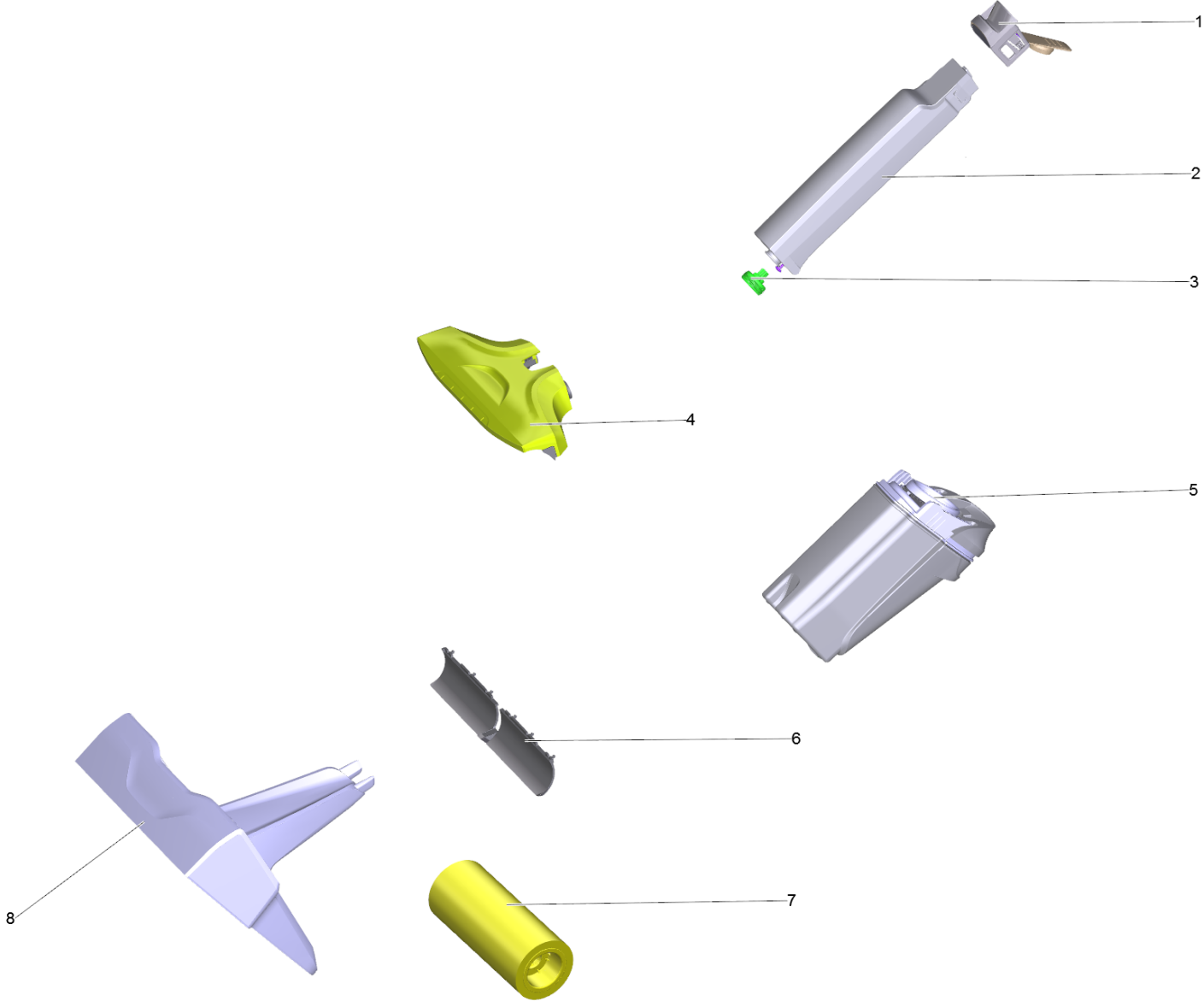


60 Dirt bin complete (4.055-030.0)

---

<b>POS</b>	<b>Article no.</b>	<b>Description</b>	<b>Quantity</b>	<b>Unit</b>
1	5.055-399.0	Dirt box	1.000	ST
9005	4.055-108.0	Dirt box cover set f.E.	1.000	ST
6	5.332-207.0	Helical spring	1.000	ST
5	5.055-046.0	Seal separator	1.000	ST
4	5.055-400.0	Separator	1.000	ST





## 1010 Short spare parts list

POS	Article no.	Description	Quantity	Unit
8	5.055-483.0	Cleaning station	1.000	ST
5	4.055-030.0	Dirt bin complete	1.000	ST
2	5.055-048.0	Fresh water tank	1.000	ST
1	5.055-049.0	Fresh water tank cover	1.000	ST
7	2.055-007.0	Set of rollers grey set grau	1.000	ST
7	2.055-006.0	Set of rollers yellow set gelb	1.000	ST
4	4.055-113.0	Suction channel complete white f.E.	1.000	ST
6	5.055-410.0	Sweep edge	1.000	ST
3	4.055-112.0	Valve complete for replacement	1.000	ST