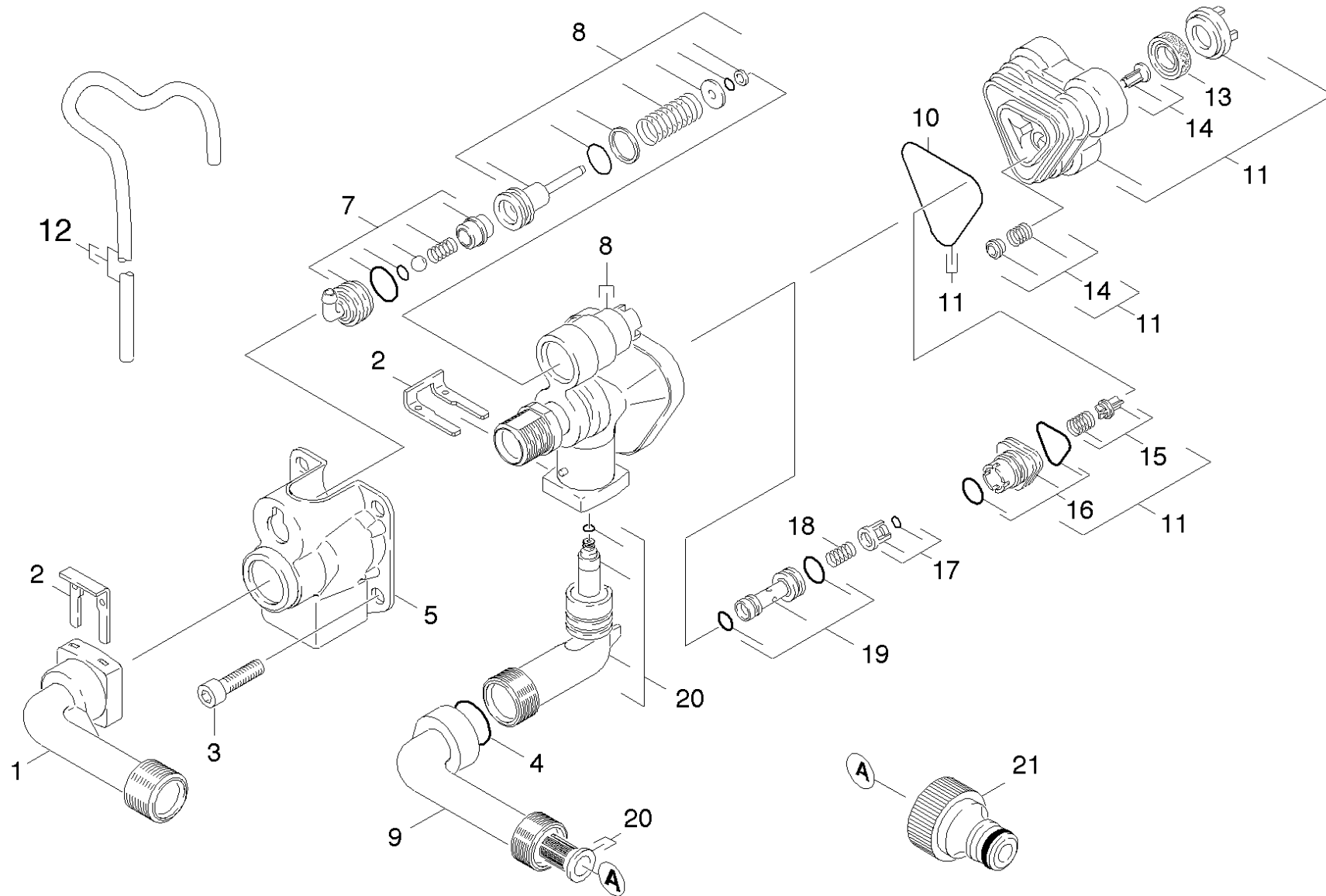


# 21 Housing

Home and Garden \ High pressure cleaner cold water \ Electric motor \ K 3 \ K 3.91MD PLUS RWB\*EU \ Spare parts list K3.91M \ Pump set \ Housing



## 21 Housing

Home and Garden \ High pressure cleaner cold water \ Electric motor \ K 3 \ K 3.91MD PLUS RWB\*EU \ Spare parts list K3.91M \ Pump set \ Housing



POS	Article no.	Description	Quantity	Unit	Serial number from	Serial number to	Foot note text
7	9.001-741.0	Aspiration cleaning agents for replaceme	1.000	ST			
17	9.001-107.0	Cage complete	1.000	ST			
21	6.465-031.0	Connection 3/4	1.000	ST			
1	9.036-703.0	Connection delivery side	1.000	ST			
9	9.036-801.0	Connection suction side black	1.000	ST			
5	9.039-308.0	Cover K130	1.000	ST			
10	9.081-422.0	Form seal	1.000	ST			
13	6.362-875.0	Grooved ring	3.000	ST			
12	6.388-216.0	Hose DN 5	1.000	M			TO ORDER AS CUT GOODS
19	9.001-108.0	Injector complete	1.000	ST			
16	9.001-106.0	Joining piece	1.000	ST			
2	9.039-148.0	Metal fork	2.000	ST			
14	9.001-110.0	Moulded part complete	1.000	ST			SET CONSISTS OF 3X MACHINED PART COMPL.
4	9.081-420.0	O-Ring d.17,86x2,62	1.000	ST			
	<b>Item text1:</b> 1.636-900.0 / -901.0 / -907.0 / -908.0 /						
	<b>Item text2:</b> -909.0 / -930.0 / -931.0 /						
4	9.081-421.0	O-Ring seal 18x3	1.000	ST			
	<b>Item text1:</b> 1.636-910.0 / -911.0 / -932.0 /						
3	9.086-200.0	Screw M 8x55 Class 8.8	4.000	ST			
11	9.001-215.0	Spare part set cylinder head	1.000	ST			
8	9.001-361.0	Spare parts set control head	1.000	ST			
20	9.001-410.0	Spare parts set suction connection	1.000	ST		99999	
20	9.001-375.0	Spare parts set suction connection	1.000	ST	100000		
15	9.001-149.0	Spare parts set valve	1.000	ST			SET CONSITSTS OF 3X VALVE
18	9.047-026.0	Spring	1.000	ST			