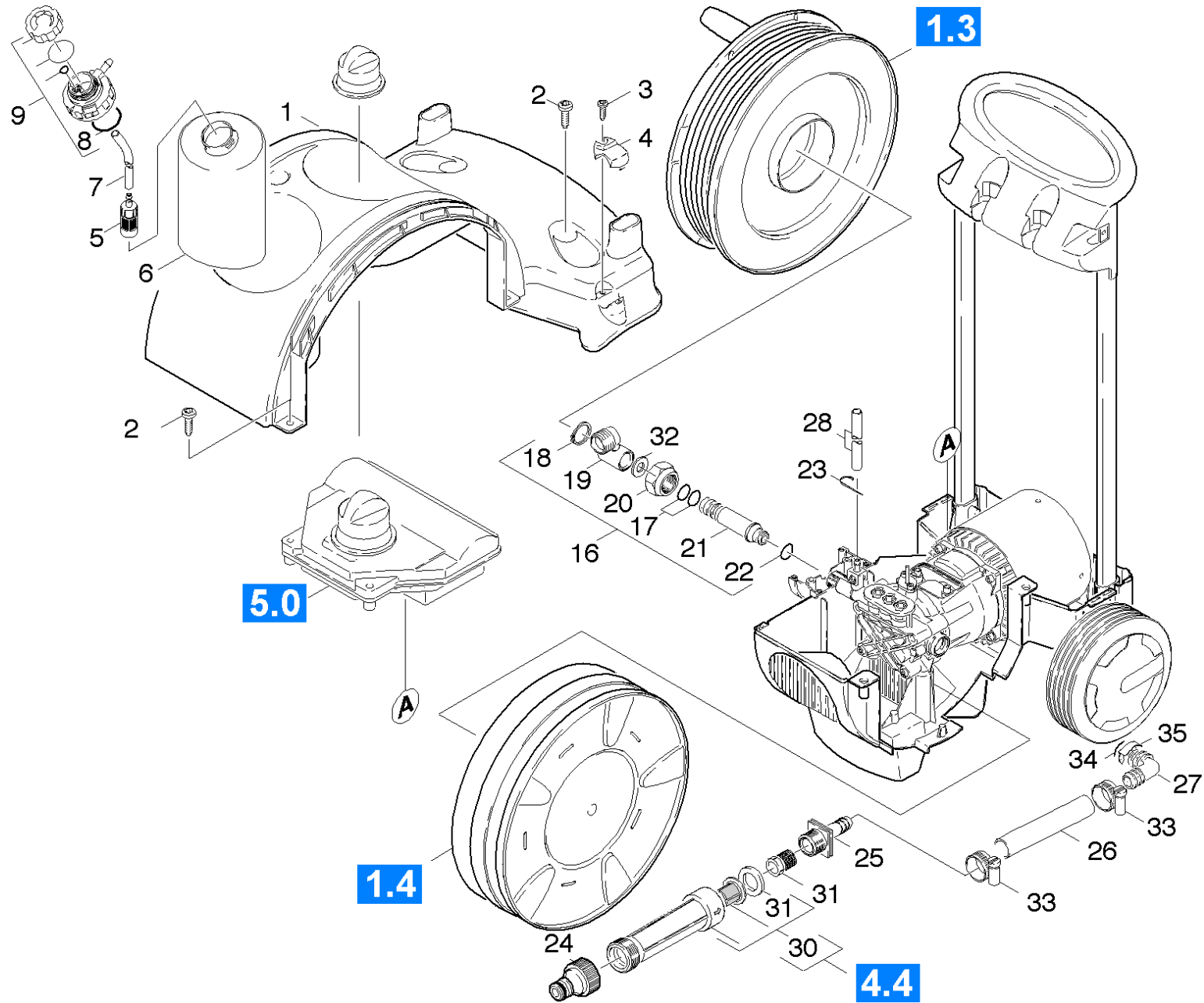


# 11 Individual parts

Home and Garden \ High pressure cleaner cold water \ Electric motor \ K 6 \ K 6.50 MB (26065397) \ Spare parts list K 650M-PLUS\*EUR \ Individual parts \ Individual parts



## 11 Individual parts

Home and Garden \ High pressure cleaner cold water \ Electric motor \ K 6 \ K 6.50 MB (26065397) \ Spare parts list K 650M-PLUS\*EUR \ Individual parts \ Individual parts

**KÄRCHER**

POS	Article no.	Description	Quantity	Unit	Foot note text
1	5.033-318.0	Chassis top part neutrally	1	PC	
2	7.303-112.0	Screw 6x20 -10.9-R2R (In6Rd)	6	PC	
3	7.303-129.0	Screw 4x16-10.9-R2R (K-In6Rd)	1	PC	
4	7.777-999.0	Stockpiling discontinued	1	PC	
5	5.731-652.0	Filter with weight	1	PC	
6	5.071-115.0	Tank cleaning agents	1	PC	
7	6.388-216.0	Hose DN 5 (PVC)	1	m	TO ORDER AS CUT GOODS
8	6.362-740.0	O-Ring seal 34,60X 2,62	1	PC	
9	4.063-807.0	Cover tank cleaning agents	1	PC	
16	7.777-999.0	Stockpiling discontinued	1	PC	
17	6.363-628.0	O-Ring seal complete	2	PC	
18	7.343-306.0	Lock washer 12-St-A2E DIN 6799	1	PC	
19	5.401-240.0	Rotary bushing	1	PC	
20	7.383-113.0	Union nut BLL-15-St-A2K DIN3870	1	PC	
21	7.777-999.0	Stockpiling discontinued	1	PC	
22	6.362-151.0	O-Ring d. 10 x 2 NBR 70	1	PC	
23	6.641-463.0	Cable tape	1	PC	
24	6.465-031.0	Connection 3/4	1	PC	
25	5.789-007.0	Connection piece	1	PC	
26	6.390-456.0	Piece of tube DN15	1	ZST	
27	5.443-452.0	Angle bushing	1	PC	
28	6.390-426.0	Hose DN 5	1	m	TO ORDER AS CUT GOODS
31	6.414-252.0	Strainer	1	PC	
32	7.343-052.0	Shim ring 16x22x1-St2K50 DIN 988	1	PC	
33	6.388-547.0	Hose clip	2	PC	
34	6.363-610.0	O-Ring seal 13 x 3 -NBR	1	PC	
35	5.048-915.0	Clamp	1	PC	