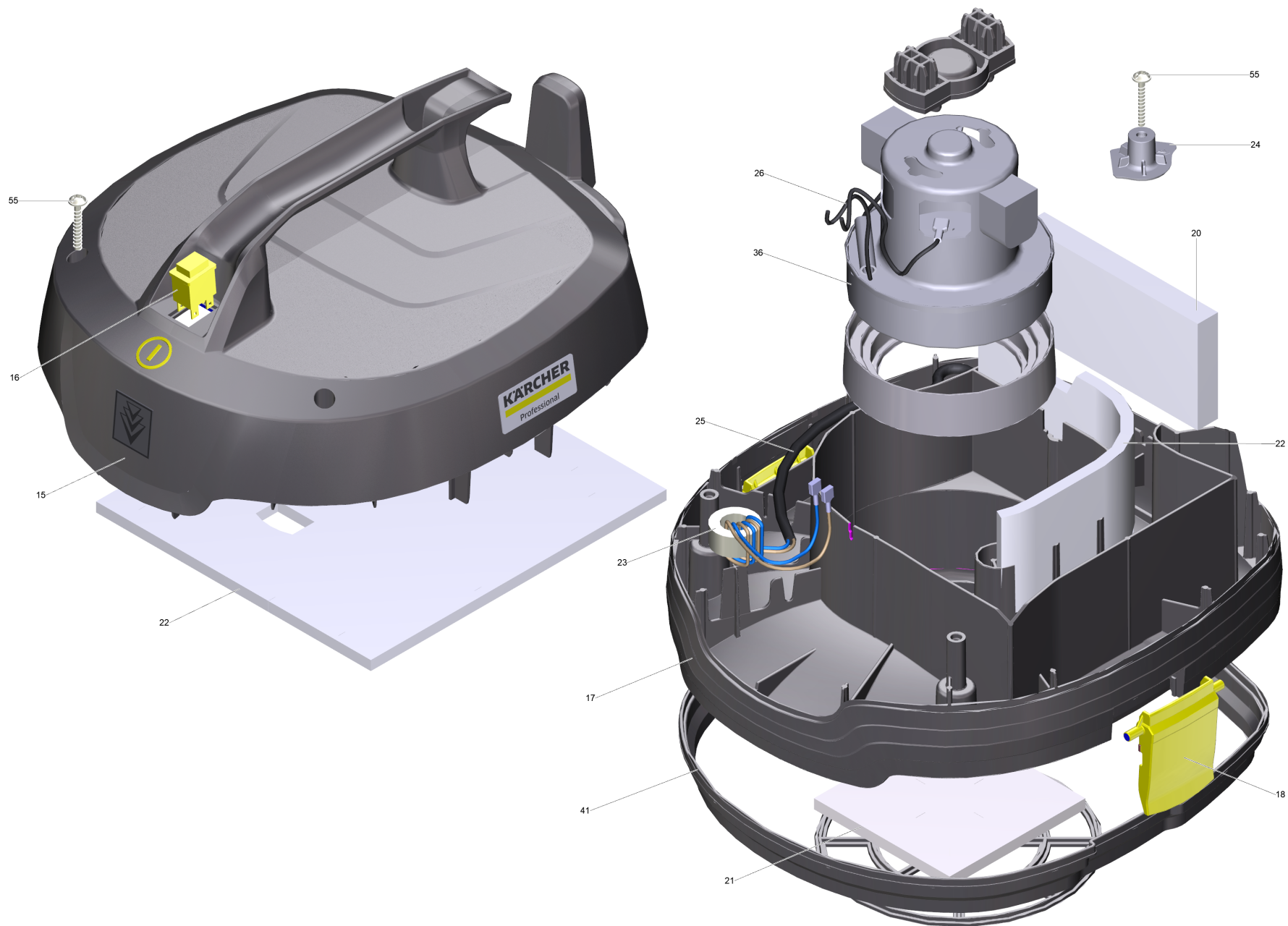


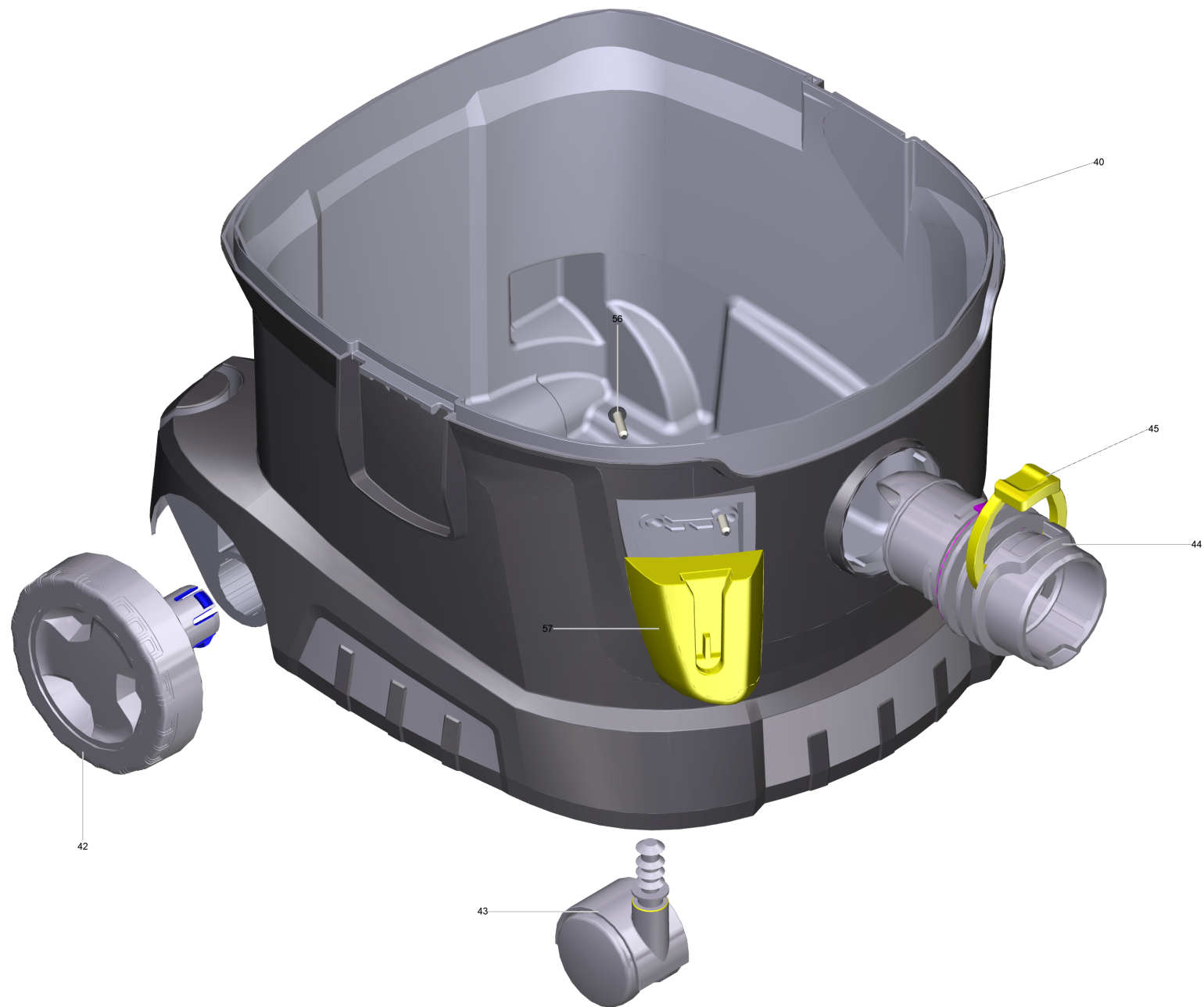
Spare parts list

(1.527-197.0) T 11/1 Classic *EU

Table of contents

T 11/1 Classic *EU (1.527-197.0)	3
36 Turbine complete (4.610-031.0)	6
900 Set HEPA T 11/1 (2.889-310.0)	7
999 Accessories	9
1 Suction hose cone T DN35 2m (2.889-100.0)	11



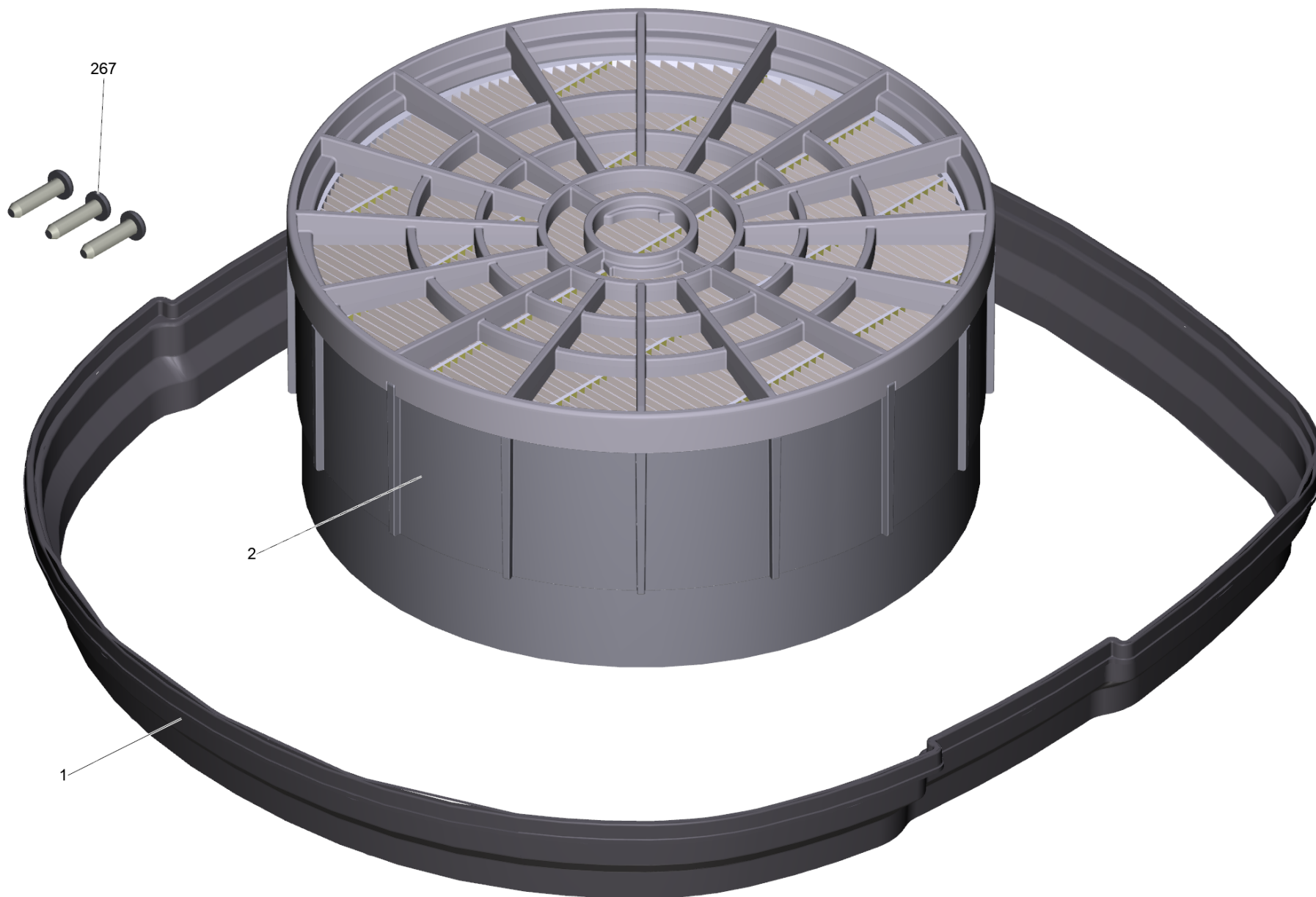


T 11/1 Classic *EU (1.527-197.0)

POS	Article no.	Description	Quantity	Unit
15	2.889-060.0	Cover replacement	1	PC
26	2.889-070.0	Electrical small parts replacement	1	PC
900	2.889-310.0	Set HEPA T 11/1	1	PC
57	5.032-915.0	Moulded part retainer accessories	1	PC
45	5.343-022.0	Locking ring	1	PC
44	5.034-163.0	Suction connection T	1	PC
41	2.889-099.0	Filtering basket complete replacement	1	PC
40	4.071-683.0	Tank for replacement 11 L	1	PC
16	6.630-769.0	Switch	1	PC
36	4.610-031.0	Turbine complete	1	PC
25	2.889-128.0	Power cable replacement	1	PC
24	5.034-609.0	Blank holder 6mm	1	PC
23	6.346-043.0	Ferrite ring	1	PC
22	2.889-059.0	Set filter	1	PC
21	2.889-119.0	Set filter motor protecting	1	PC
20	6.414-058.0	Filter T7/1	1	PC
17	2.889-062.0	Housing base plate replacement	1	PC
999		Accessories	1	PC
42	5.515-020.0	Wheel	2	PC
43	6.435-353.0	Castor D 42	2	PC
18	5.033-035.0	Locking clip	2	PC
56	7.303-129.0	Screw 4x16-10.9-R2R (K-In6Rd)	3	PC
55	7.303-086.0	Screw 5x30 -10.9-R2R (K-In6Rd)	4	PC

36 Turbine complete (4.610-031.0)

POS	Article no.	Description	Quantity	Unit
9000	2.889-105.0	Set carbon brushes	1	PC



900 Set HEPA T 11/1 (2.889-310.0)

POS	Article no.	Description	Quantity	Unit
1	2.889-341.0	Filtering basket packaged	1	PC
2	2.889-293.0	Filter packaged HEPA T 10/1	1	PC
267	7.303-129.0	Screw 4x16-10.9-R2R (K-In6Rd)	3	PC



999 Accessories

POS	Article no.	Description	Quantity	Unit	Foot note text
1	2.889-100.0	Suction hose cone T DN35 2m	1	PC	
3	6.645-688.0	Spring washer suction hose	1	PC	
4	2.840-040.0	Elbow packaged NW35	1	PC	
5	9.770-638.0	Crevice nozzle	1	PC	
6	6.907-496.0	Combination nozzle packaged RD 270 NW35	1	PC	
7	2.643-464.0	Set suction tube stainless steel	1	PC	STEEL/PLASTIC
8	6.904-084.0	Filter bags fleece 10 St.	1	PC	
7	5.481-010.0	Suction tube	3	PC	PLASTIC

1 Suction hose cone T DN35 2m (2.889-100.0)

POS	Article no.	Description	Quantity	Unit
4	6.363-182.0	O-Ring seal 30,2 x 3,0	1	PC
