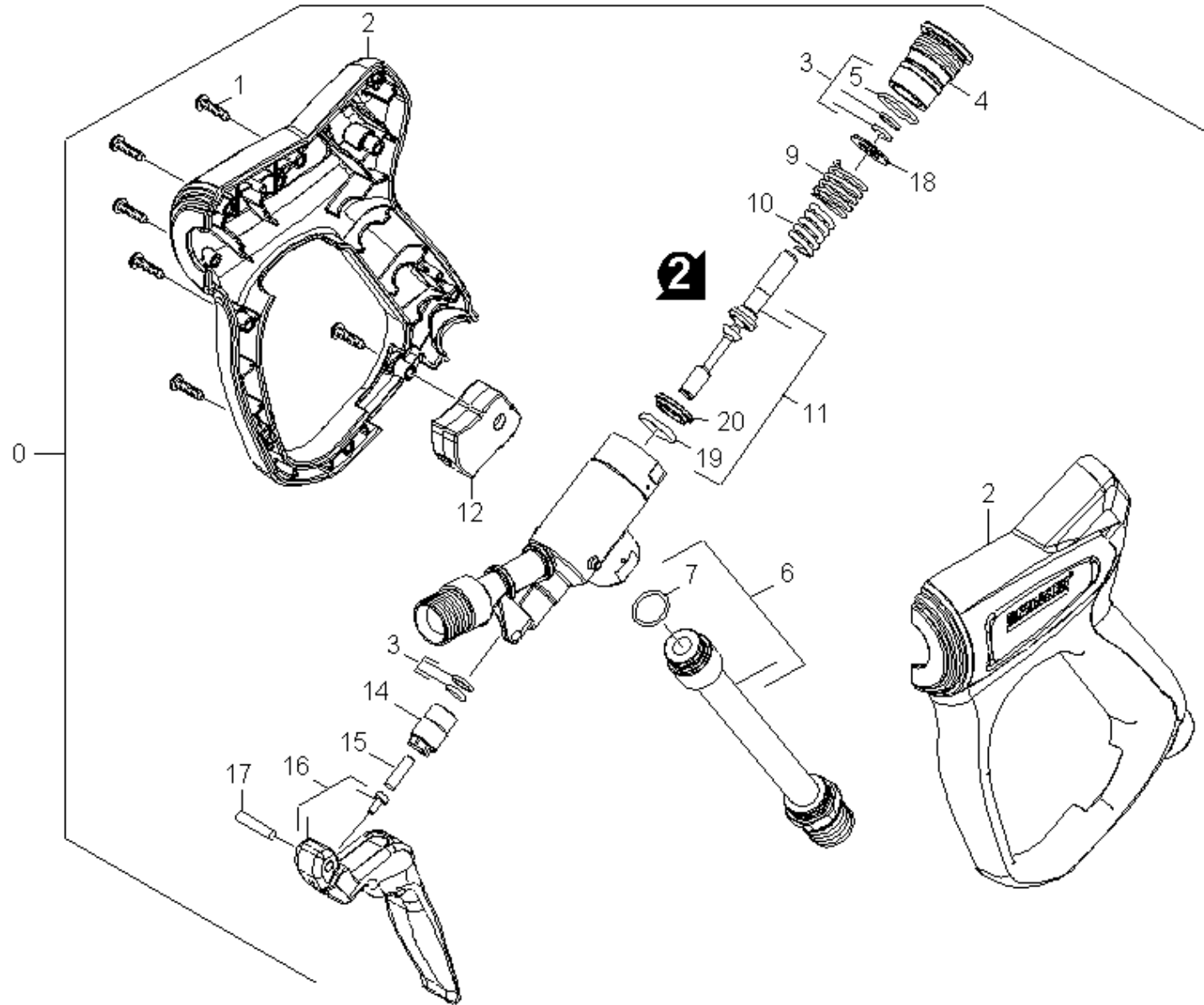


42 Hand trigger gun

Overview technical documents/Professional/Industrial cleaning systems/Maximum pressure cleaners/HD 9/50-4 (1.367-151.0)/Spare parts list HD 9/50-4_HD 13/35-4/40 Accessories/42 Hand trigger gun



42 Hand trigger gun

Overview technical documents/Professional/Industrial cleaning systems/Maximum pressure cleaners/HD 9/50-4 (1.367-151.0)/Spare parts list HD 9/50-4_HD 13/35-4/40 Accessories/42 Hand trigger gun

Rez.daļas/nodil.pakļ.dajas	Poz.	Materiāla Nr.	Nosaukums	Daudzums	Pārdoš. vienība
X-X	0	4.775-824.0	Hand trigger gun only for replacement	1.000	ST
X	1	7.303-129.0	Skrūve 4x16 -10.9-R2R (K-In6Rd)	9.000	ST
	2	5.322-044.0	Handhold few 65MPa 3000l/h	1.000	ST
X-X	3	2.885-215.0	Spare part set seal 65 MPa	1.000	ST
	4	5.411-529.0	Screw plug 65MPa	1.000	ST
X-X	5	6.362-397.0	O-Ring seal 18,0 X 1,5-NBR 70	1.000	ST
	6	2.885-216.0	Spare part set adapter 65MPa	1.000	ST
	7		O-Ring d. 15x1,5 NBR 90	1.000	ST
X	9	5.332-046.0	Helical spring	1.000	ST
X	10	5.332-977.0	Spring	1.000	ST
X-X	11	2.885-214.0	Spare part set piston	1.000	ST
	12	5.424-145.0	Trigger safety latch yellow	1.000	ST
X	14	5.401-330.0	Screw connector 65MPa	1.000	ST
	15	5.317-403.0	Pin	1.000	ST
	16	2.885-212.0	Spare part set lever yellow	1.000	ST
X-X	17	7.314-042.0	Straight pin 5m6x26 - A1 ISO 2338	1.000	ST
X	18	5.114-572.0	Supportring 65MPa	1.000	ST
X-X	19	6.362-174.0	Gredzenblīve 16,0 X 2,0-NBR 70	1.000	ST
X	20	5.363-768.0	Hermētisks blīvējošs ieliktnis 65MPa	1.000	ST