

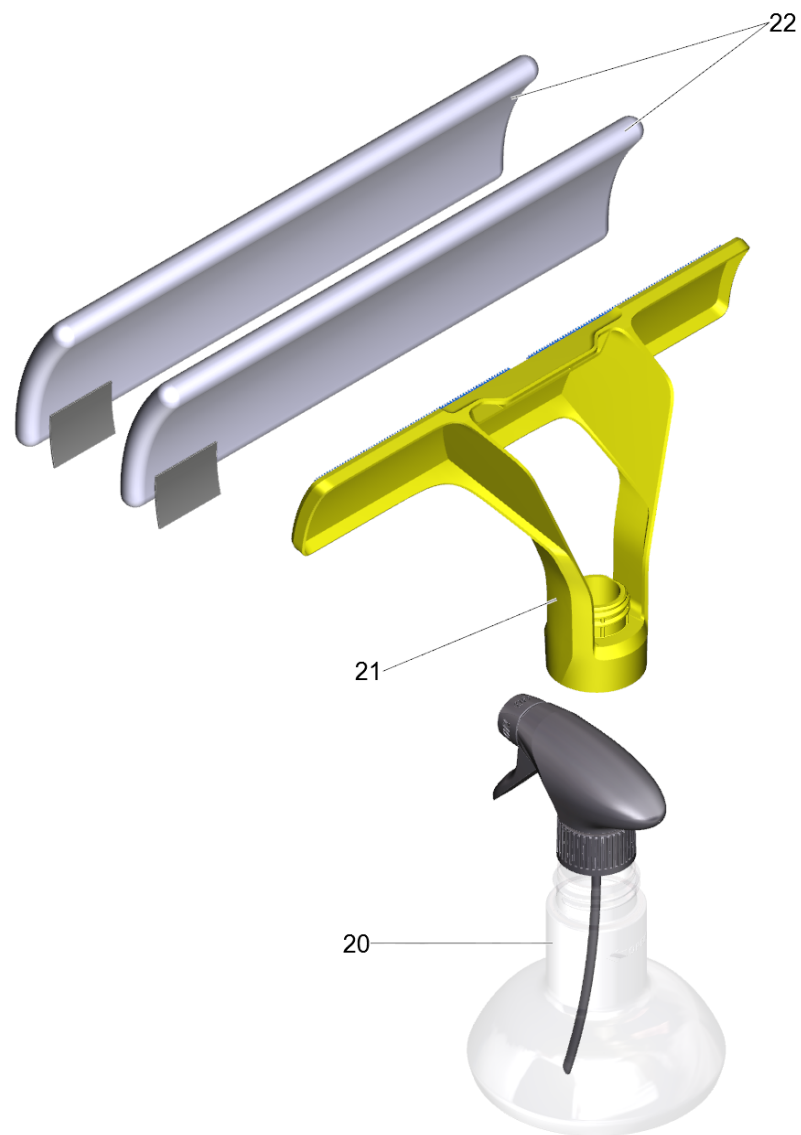
Spare parts list

(1.633-212.0) WV 2 Plus N *EU

Table of contents

WV 2 Plus N *EU (1.633-212.0)	3
4 Suction nozzle black only for replacemen (4.633-019.0)	6
5 Tank complete replacement WV 5 (4.633-094.0)	8
15 Suction nozzle complete replacement schm (4.633-075.0)	10





901



900

WV 2 Plus N *EU (1.633-212.0)

POS	Article no.	Description	Quantity	Unit
3	4.633-015.0	Separator yellow only for replacement	1	PC
4	4.633-019.0	Suction nozzle black only for replacemen	1	PC
5	4.633-094.0	Tank complete replacement WV 5	1	PC
10	2.633-107.0	WV & KV battery charger *EU	1	PC
15	4.633-075.0	Suction nozzle complete replacement schm	1	PC
20	4.633-127.0	Spray bottle round replacement	1	PC
21	4.633-128.0	Pad holder complete premium	1	PC
22	2.633-130.0	WV microfibre wiper cover Indoor	1	PC
22	2.633-131.0	WV microfibre wiper cover Outdoor	1	PC
600	4.633-200.0	Enclosure service WV2 Sunpower	1	PC
600	4.633-275.0	Enclosure service WV2 EVE20P	1	PC
900	2.633-006.0	Waist bag WV	1	PC
901	6.295-302.0	RM 503 4x20ml window cleaning agent concentrate	1	PC



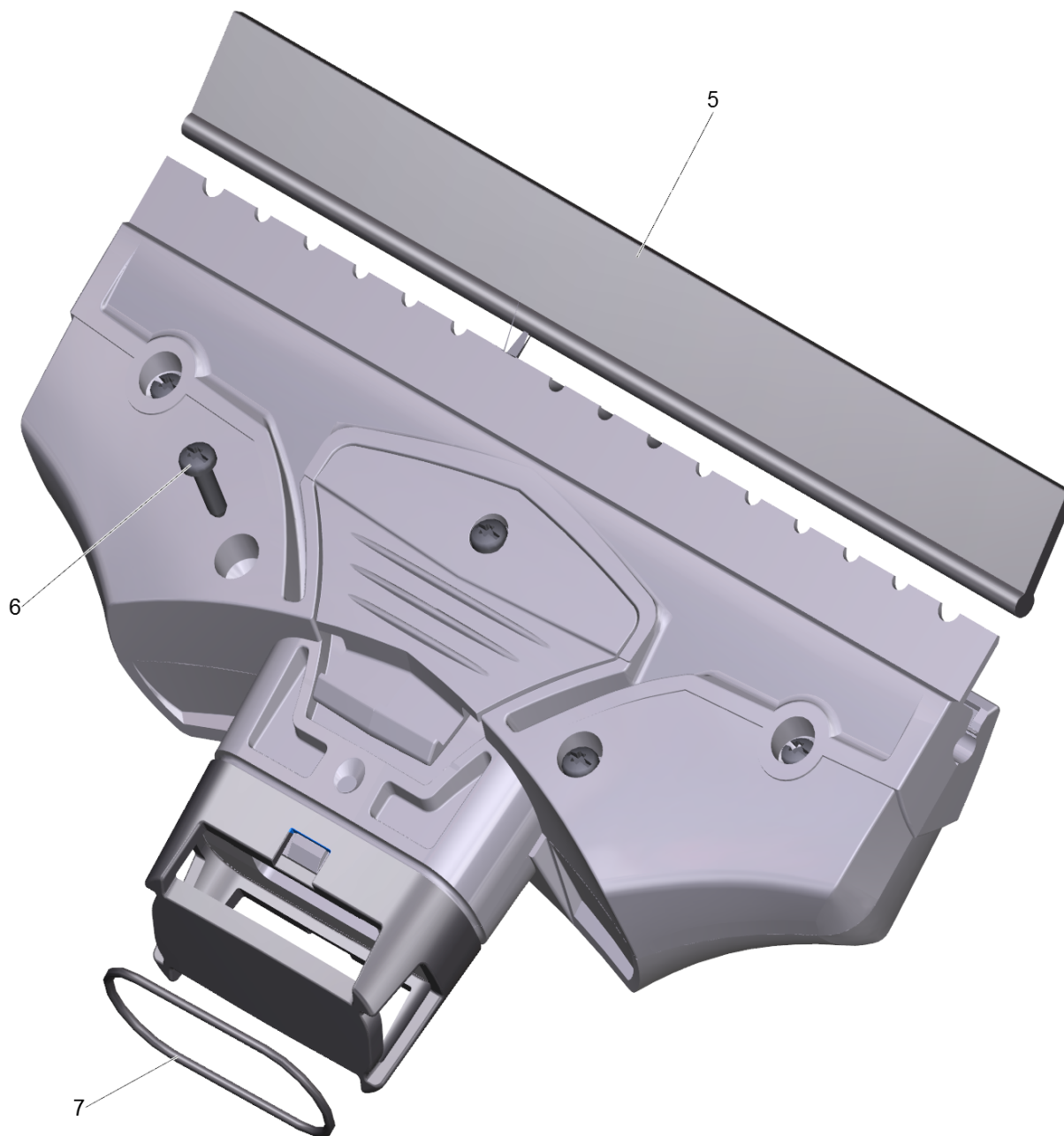
4 Suction nozzle black only for replacemen (4.633-019.0)

POS	Article no.	Description	Quantity	Unit
5	2.633-005.0	Pull-off lip WV 50 (280mm)	1	PC
6	6.303-557.0	Screw 3x12 Kombitorx T8	7	PC
7	6.362-023.0	O-Ring seal 29,10 X 1,6	1	PC



5 Tank complete replacement WV 5 (4.633-094.0)

POS	Article no.	Description	Quantity	Unit
2	5.633-141.0	Seal tank	1	PC
3	5.633-150.0	Intake water	1	PC
4	6.363-536.0	O-Ring seal 21x1,5	1	PC



15 Suction nozzle complete replacement schm (4.633-075.0)

POS	Article no.	Description	Quantity	Unit
5	2.633-104.0	Pull-off lip WV 50 (170mm)	1	PC
6	6.303-557.0	Screw 3x12 Kombitorx T8	5	PC
7	6.362-023.0	O-Ring seal 29,10 X 1,6	1	PC