



Spare parts list
(1.071-941.0) HDS 9/20-4 M *EU-I

Table of contents

HDS 9/20-4 M *EU-I (1.071-941.0)	6
10 HDS 9/20-4 M (2.002-161.0)	8
320 EASY!Force Advanced (4.118-005.0)	10
9000 Spare part set lever (2.885-483.0)	12
321 Rotary controller TR 416L (4.118-008.0)	14
1 Rotary controller TR 416L	15
12 Spare part set seals TR (2.880-001.0)	17
330 Jet pipe TR 1050 mm (4.112-000.0)	18
340 Hose assembly TR DN8 40MPa 10m (6.110-038.0)	20
1 Hose assembly TR rotatable DN8 40MPa 10m	21
350 Power nozzle TR 25047 (2.113-009.0)	23
2 Spare part set seals TR (2.880-001.0)	25
410 Set mounting parts	26
1 "Set water connection 1 "" (2.640-492.0)	28
500 Unit HDS 9/20-4 M	30
100 Platform HDS -M/S Next	34
20 Cover fuel complete (4.064-013.0)	37
30 Cover complete Chem 1	39
40 Cover complete Chem 2	41
90 Cover complete RM 110 (4.064-014.0)	43
101 Platform assembly assembly group HDS-M/S Next	45
20 Filter complete (4.730-167.3)	47
40 Float valve	49
110 Castors single	51
140 Device cover complete (4.069-073.3)	53
151 Chemistry valve assembly Baugruppe	55
300 Electric control box HDS Next	57
301 Electrical box assembly assembly group HDS-M/S Next	59
500 Motor pump HDS 9/20-4 M EU 62W1528	61
2010 Transmission 62 W 15 28 (4.624-498.3)	63
2020 Piston guidance cpl. 62 20	65
2030 Cylinder head cpl. 62 20 HDS	67
1 Valve complete (4.580-594.0)	69
2 Valve (3 Stueck) (2.884-512.0)	71
3 Valve complete (4.580-581.3)	73
100 Spare part set pump (2.885-034.0)	75
1 Valve (3 Stueck) (2.884-512.0)	77
2 Valve complete (4.580-581.3)	79

Table of contents






3 Valve complete (4.580-594.0)	81
102 Excess-current complete (2.885-895.3)	83
65 Piston complete (4.553-287.0)	85
2035 Bush low-pressure cpl. D20	87
501 Pump assembly assembly group HDS-M/S Next	89
510 Blower kit G2-A	91
2830 Blower base G2	93
601 High-pressure outlet assembly assembly group HDS-M/S Next	95
700 Hose water connection 2-Rad (4.440-792.0)	97
2 Piece of tube	99
701 Intake assembly assembly group HDS-M/S Next	100
702 Hose float	102
703 Hose float	104
3 Piece of tube	106
900 Boiler	107
2 Bottom pressure boiler (4.655-044.0)	110
901 Conversion kit: ignition electrode (2.638-974.0)	112
902 Cover pressure boiler only for replaceme (4.654-288.0)	114
901 Boiler assembly assembly group D313	116
910 Burner complete (4.654-305.0)	118
1 Cover pressure boiler only for replaceme (4.654-288.0)	120
2 Conversion kit: ignition electrode (2.638-974.0)	122
920 Fuel pump ignition transformer assembly (4.473-051.3)	124
940 Air circulation assembly assembly group HDS-Next	126
1000 Safety system	128
901 Safety valve complete replacement (4.580-709.0)	130
2000 Add-on kit: ignition transformer HDS-M/S 400V	132
10 HDS 9/20-4 M (2.002-194.0)	134
320 EASY!Force Advanced (4.118-005.0)	136
9000 Spare part set lever (2.885-483.0)	138
321 Rotary controller TR 416L (4.118-008.0)	140
1 Rotary controller TR 416L	141
12 Spare part set seals TR (2.880-001.0)	143
330 Jet pipe TR 1050 mm (4.112-000.0)	144
340 Hose assembly TR DN8 40MPa 10m (6.110-038.0)	146
1 Hose assembly TR rotatable DN8 40MPa 10m	147
350 Power nozzle TR 25047 (2.113-009.0)	149
2 Spare part set seals TR (2.880-001.0)	151

Table of contents

410 Set mounting parts	152
1 "Set water connection 1 "" (2.640-492.0)	154
500 Unit HDS 9/20-4 M	156
100 Platform HDS -M/S Next	161
20 Cover fuel complete (4.064-013.0)	164
30 Cover complete Chem 1	166
40 Cover complete Chem 2	168
90 Cover complete RM 110 (4.064-014.0)	170
101 Platform assembly assembly group HDS-M/S Next	172
20 Filter complete (4.730-167.3)	174
40 Float valve	176
110 Castors single	178
140 Device cover complete (4.069-073.3)	180
151 Chemistry valve assembly Baugruppe	182
300 Electric control box HDS Next	184
301 Electrical box assembly assembly group HDS-M/S Next	186
500 Motor pump HDS 9/20-4 M EU 62W1528	188
2010 Transmission 62 W 15 28 (4.624-498.3)	190
2020 Piston guidance cpl. 62 20	192
2030 Cylinder head cpl. 62 20 HDS	194
1 Valve complete (4.580-594.0)	196
2 Valve (3 Stueck) (2.884-512.0)	198
3 Valve complete (4.580-581.3)	200
100 Spare part set pump (2.885-034.0)	202
1 Valve (3 Stueck) (2.884-512.0)	204
2 Valve complete (4.580-581.3)	206
3 Valve complete (4.580-594.0)	208
102 Excess-current complete (2.885-895.3)	210
65 Piston complete (4.553-287.0)	212
2035 Bush low-pressure cpl. D20	214
501 Pump assembly assembly group HDS-M/S Next	216
510 Blower kit G2-A	218
2830 Blower base G2	220
601 High-pressure outlet assembly assembly group HDS-M/S Next	222
700 Hose water connection 2-Rad (4.440-792.0)	224
2 Piece of tube	226
701 Intake assembly assembly group HDS-M/S Next	227
702 Hose float	229

Table of contents

703 Hose float	231
3 Piece of tube	233
900 Boiler	234
2 Bottom pressure boiler (4.655-044.0)	237
901 Conversion kit ignition electrode (2.638-974.0)	239
902 Cover pressure boiler only for replaceme (4.654-288.0)	241
901 Boiler assembly group D313	243
910 Burner complete (4.654-305.0)	245
1 Cover pressure boiler only for replaceme (4.654-288.0)	247
2 Conversion kit ignition electrode (2.638-974.0)	249
920 Fuel pump ignition transformer assembly (4.473-051.3)	251
940 Air circulation assembly group HDS-Next	253
1000 Safety system	255
901 Safety valve complete replacement (4.580-709.0)	257
2000 Add-on kit ignition transformer HDS-M/S 400V	259
9000 Add-on kit flame guard HDS (2.644-475.0)	261

  0035    Made in Germany

HDS xx/xx
xxx V x~ xx Hz x,x kW xxx,0 kg
Q=xx,x l/min p=xx,x MPa
ps=xx,0 MPa Ts=xx °C

1.XXX-XXX.0
P burner max=xxx,0 kW
coil no.: see coil
p in max=x,x MPa

IPX5
nozzle xxx

Q=xx,x l/min p=x,x MPa
ps=x,x MPa Ts=xxx °C

Year: []
S/N: []

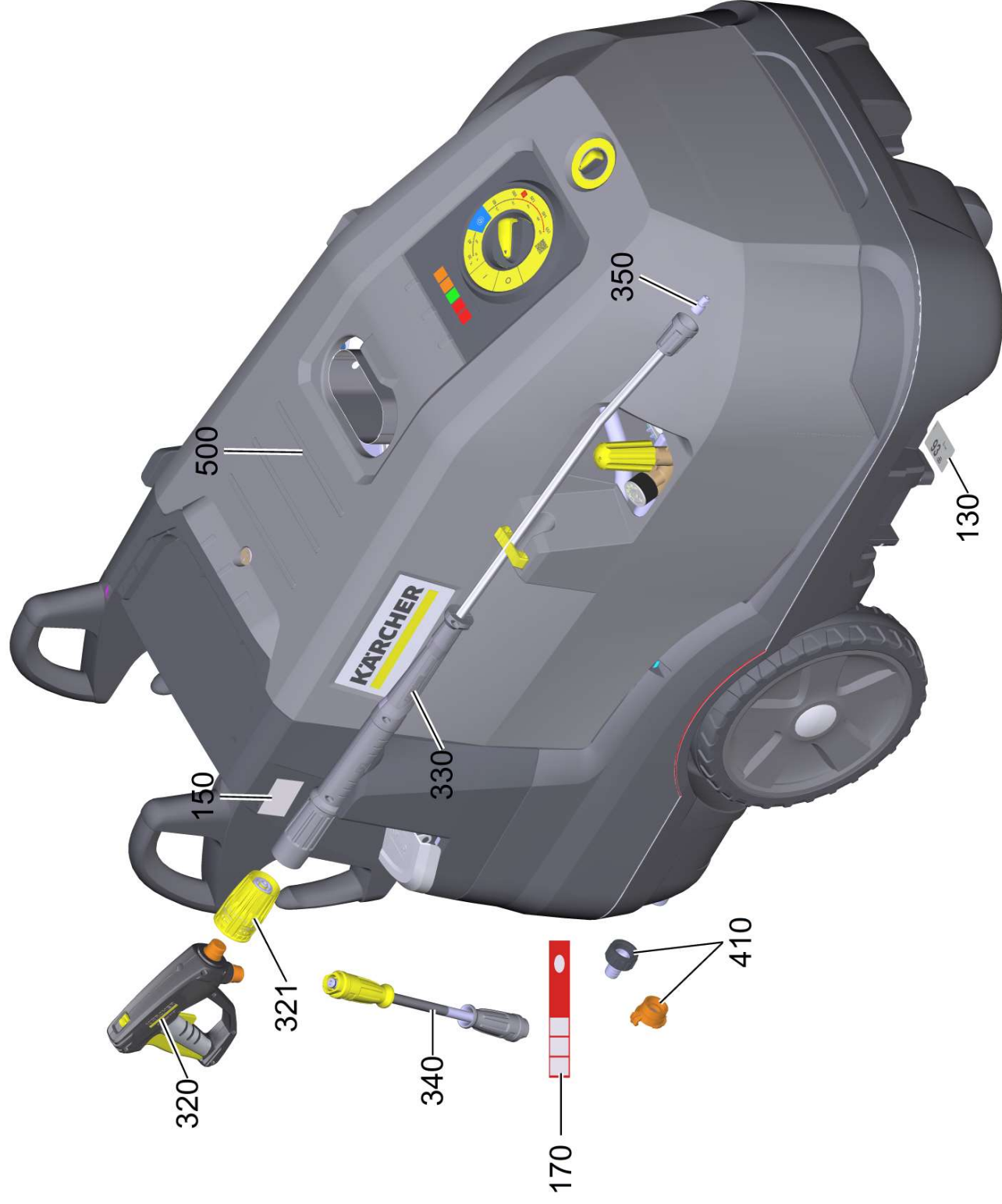
2.002-xxx.0

Alfred Kärcher SE & Co. KG, P.O.Box 160, 71349 Winnenden, Germany
UK-Importer: Kärcher UK Ltd., Brookhill Way, Banbury, OX16 3ED, UK



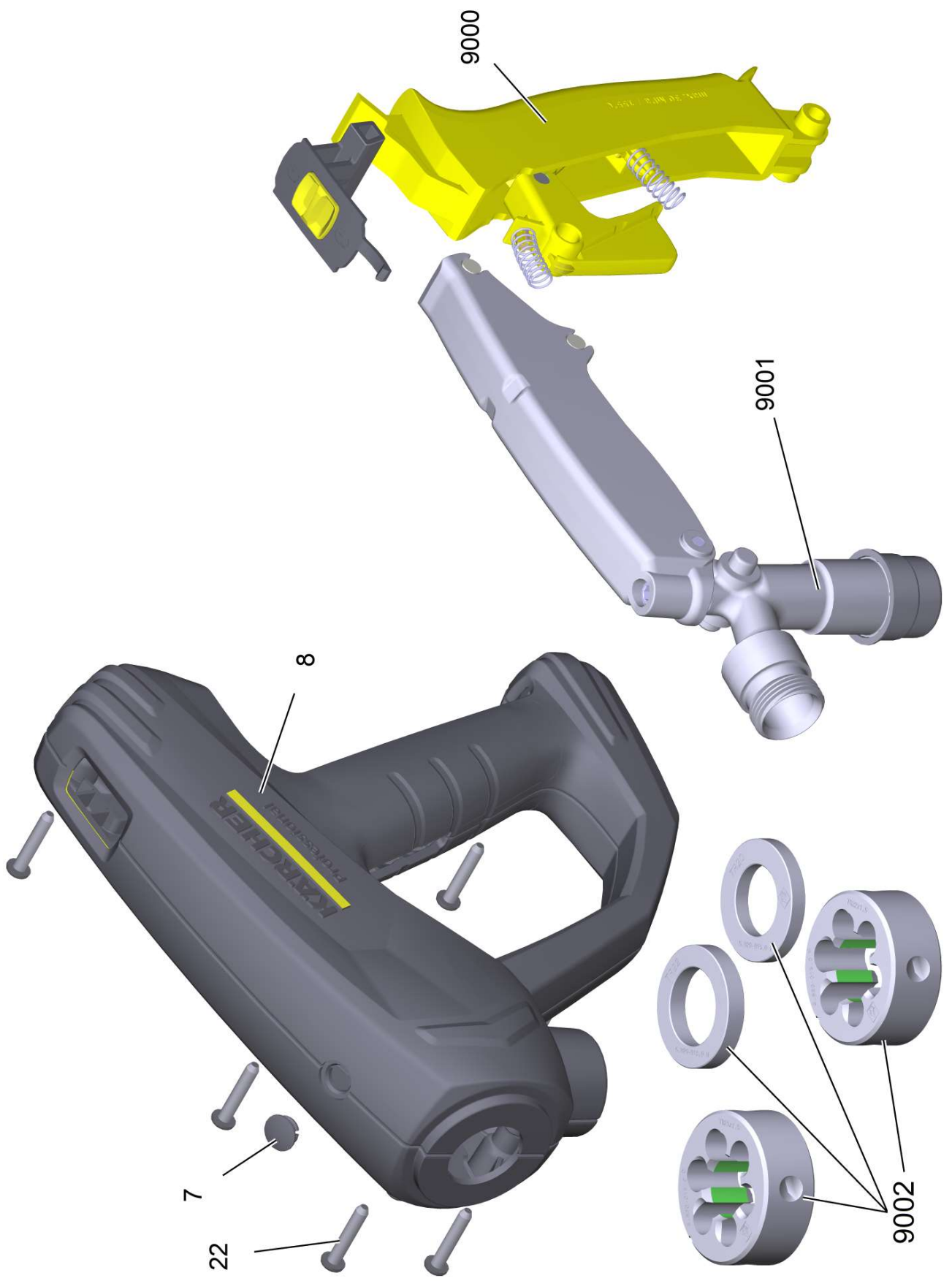
HDS 9/20-4 M *EU-I (1.071-941.0)

POS	Description	Quantity	Unit
10	HDS 9/20-4 M (2.002-161.0)	1	PC
10	HDS 9/20-4 M (2.002-194.0)	1	PC



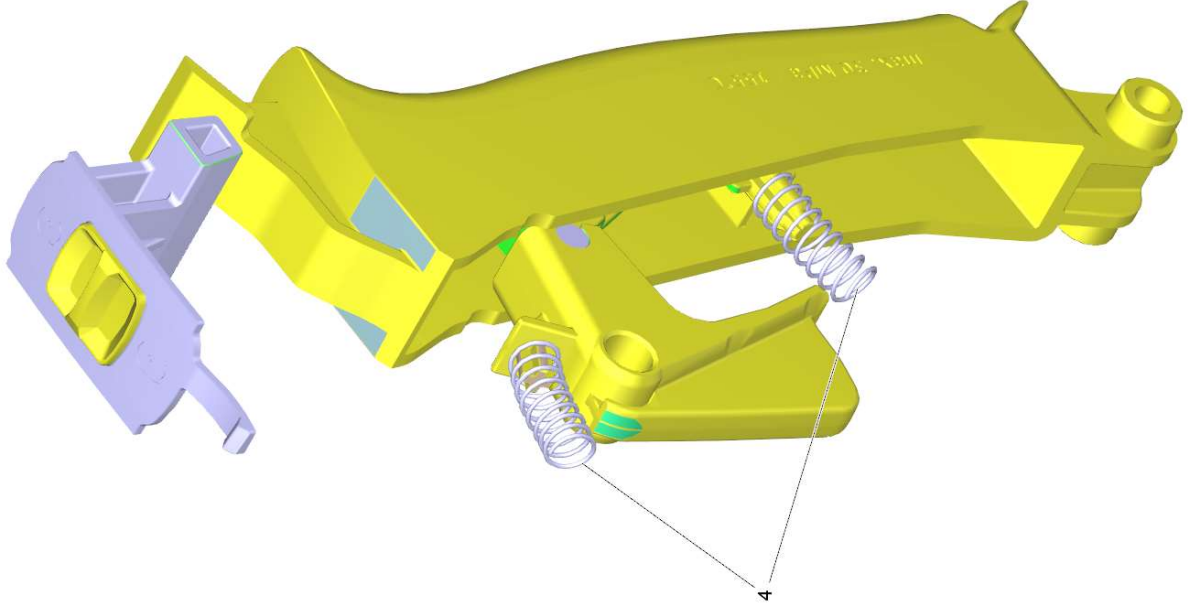
10 HDS 9/20-4 M (2.002-161.0)

POS	Article no.	Description	Quantity	Unit
320	4.118-005.0	EASY!Force Advanced	1	PC
340	6.110-038.0	Hose assembly TR DN8 40MPa 10m	1	PC
330	4.112-000.0	Jet pipe TR 1050 mm	1	PC
130	5.385-365.0	Label 93 dB	1	PC
170	5.383-342.0	Label fuel oil einfuellen	1	PC
350	2.113-009.0	Power nozzle TR 25047	1	PC
321	4.118-008.0	Rotary controller TR 416L	1	PC
410		Set mounting parts	1	PC
500		Unit HDS 9/20-4 M	1	PC
150	5.387-620.0	Warning sign new	1	PC



320 EASY!Force Advanced (4.1.18-005.0)

POS	Article no.	Description	Quantity	Unit
8	5.321-136.3	Handhold few EH 155 only for replacement	1	PC
9001	4.427-014.0	Manifold TR EH 155 nur fuer Ersatz	1	PC
7	5.132-001.0	Plug	1	PC
22	7.303-096.0	Screw 4x22-ST-10.9-R2R (IN6RD)	7	PC
9002	5.820-015.0	Screwing die kit TR	1	PC
9000	2.885-483.0	Spare part set lever	1	PC

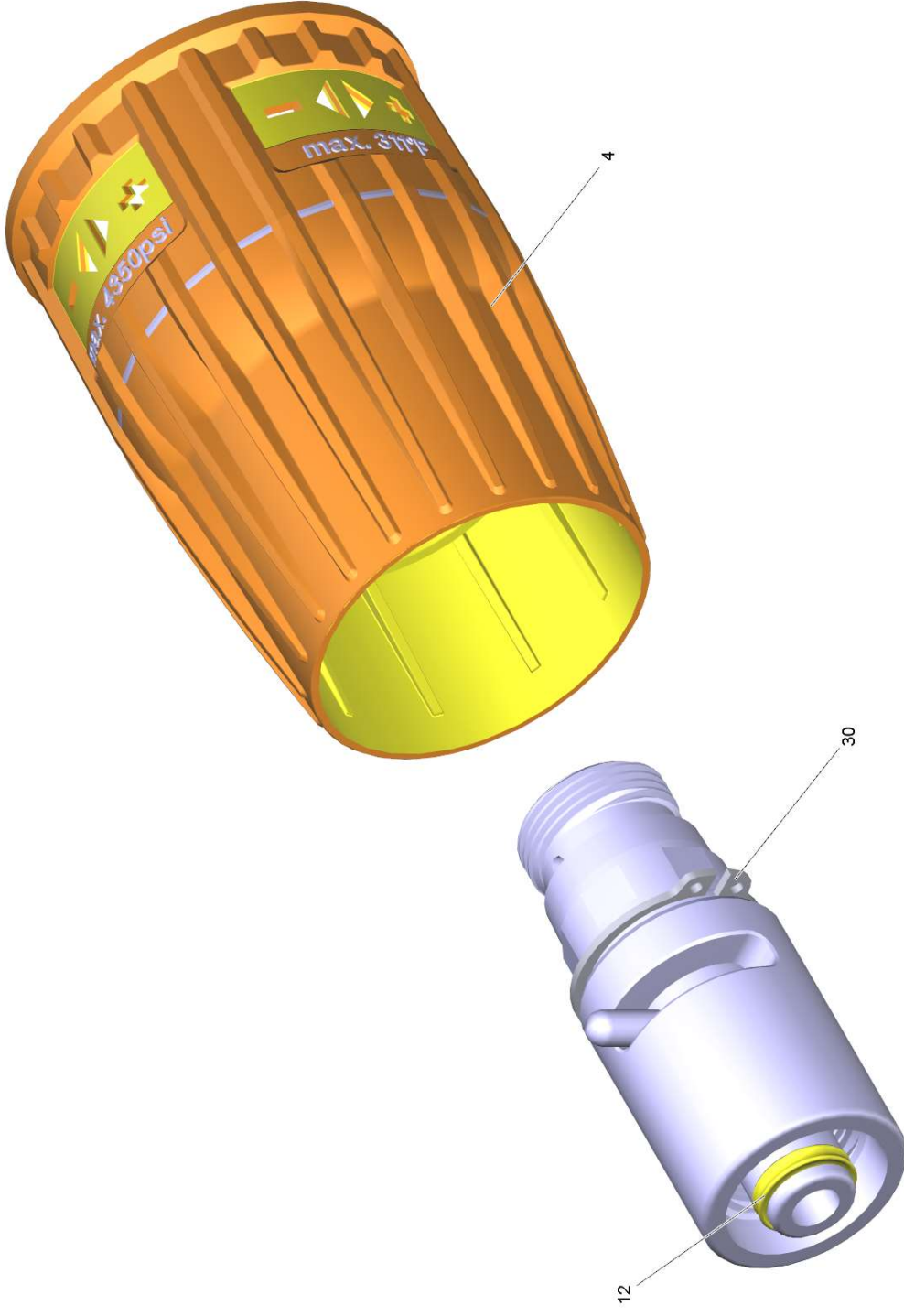


9000 Spare part set lever (2.885-483.0)

POS	Article no.	Description	Quantity	Unit
4	5.332-178.0	Helical spring	2	PC

321 Rotary controller TR 416L (4.118-008.0)

POS	Description	Quantity	Unit
1	Rotary controller TR 416L	1	PC

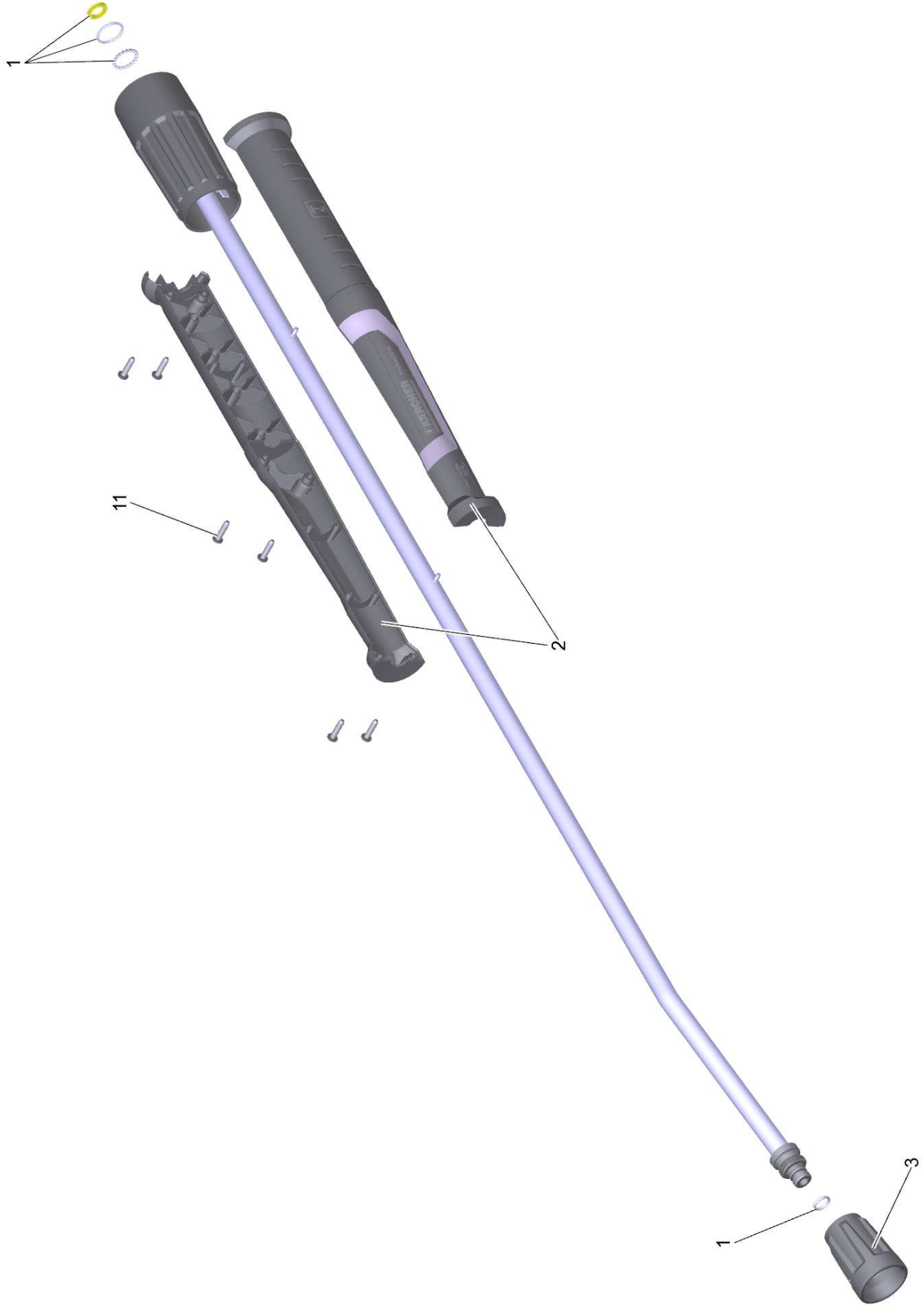


1 Rotary controller TR 416L

POS	Article no.	Description	Quantity	Unit
4	5.321-364.3	Handhold rotary controller	1	PC
30	7.343-069.0	Locking ring 25x1,2-1.4122 DIN 471	1	PC
12	2.880-001.0	Spare part set seals TR	1	PC

12 Spare part set seals TR (2.880-001.0)

POS	Article no.	Description	Quantity	Unit
3	4.101-244.0	O-Ring kit 10x 2 mm	1	PC
1	4.100-710.0	O-Ring seal spare part set 50x	1	PC
2	4.100-711.0	Quad joint ring spare part set 50x	1	PC

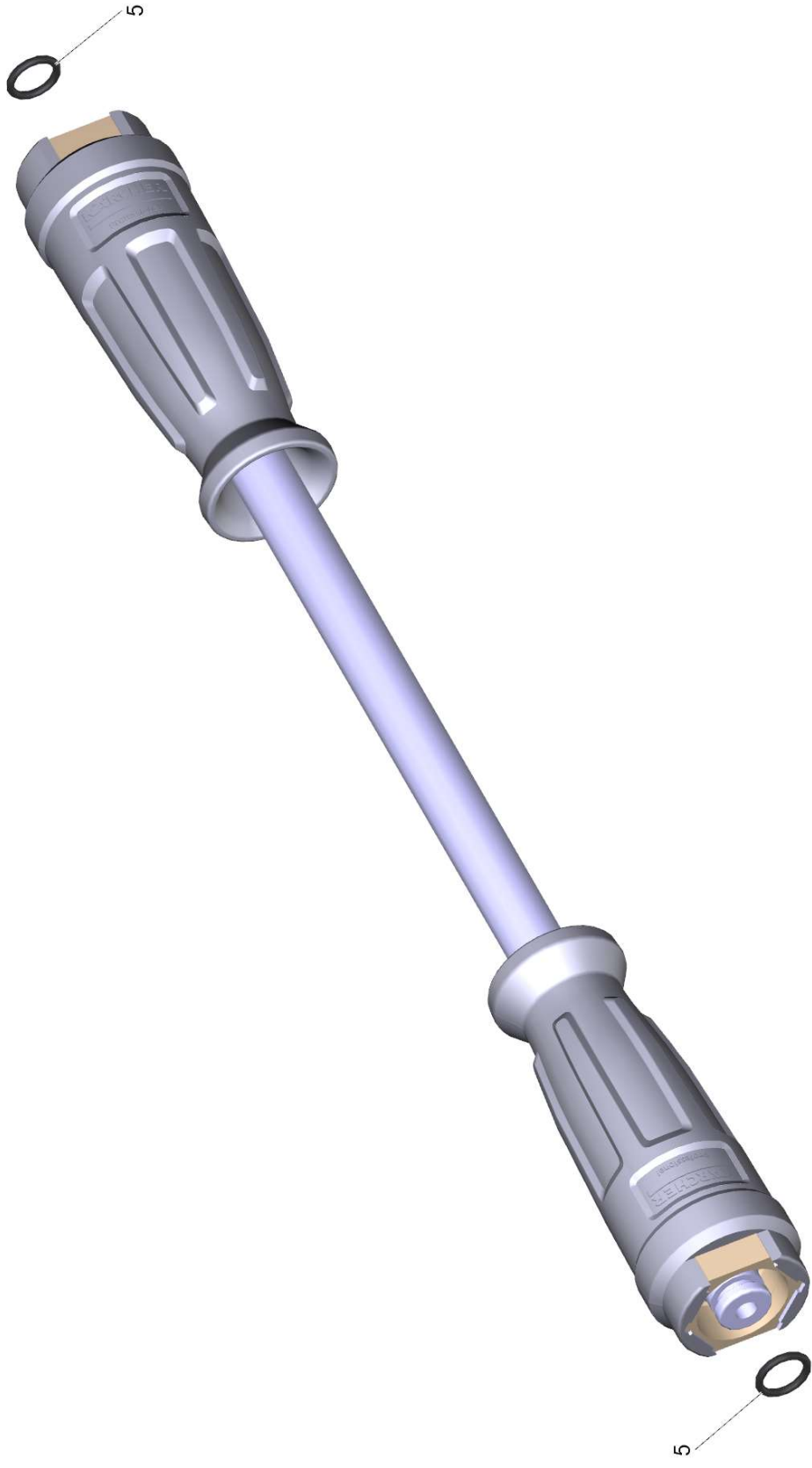


330 Jet pipe TR 1050 mm (4.112-000.0)

POS	Article no.	Description	Quantity	Unit
2	5.321-018.3	Handle bowl jet pipe only for replacement	1	PC
3	4.112-011.0	Protection part TR only for replacement	1	PC
11	7.303-129.0	Screw 4x16-10.9-R2R (K-In6Rd)	6	PC
1	4.100-688.0	Spare part set seal TR	1	PC

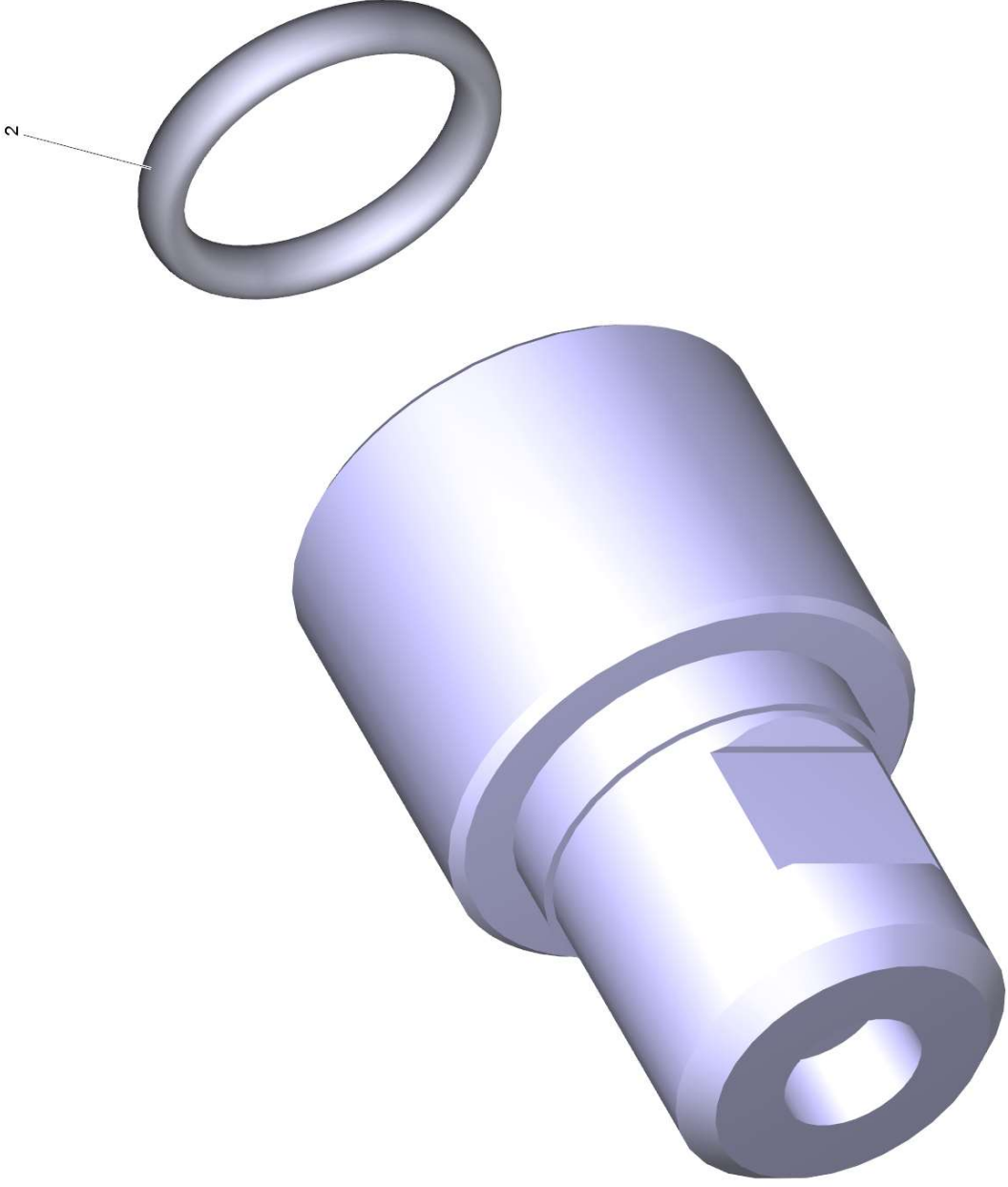
340 Hose assembly TR DN8 40MPa 10m (6.110-038.0)

POS	Description	Quantity	Unit
1	Hose assembly TR rotatable DN8 40MPa 10m	1	PC



1 Hose assembly TR rotatable DN8 40MPa 10m

POS	Article no.	Description	Quantity	Unit
5	2.880-154.0	O-Ring kit	1	PC

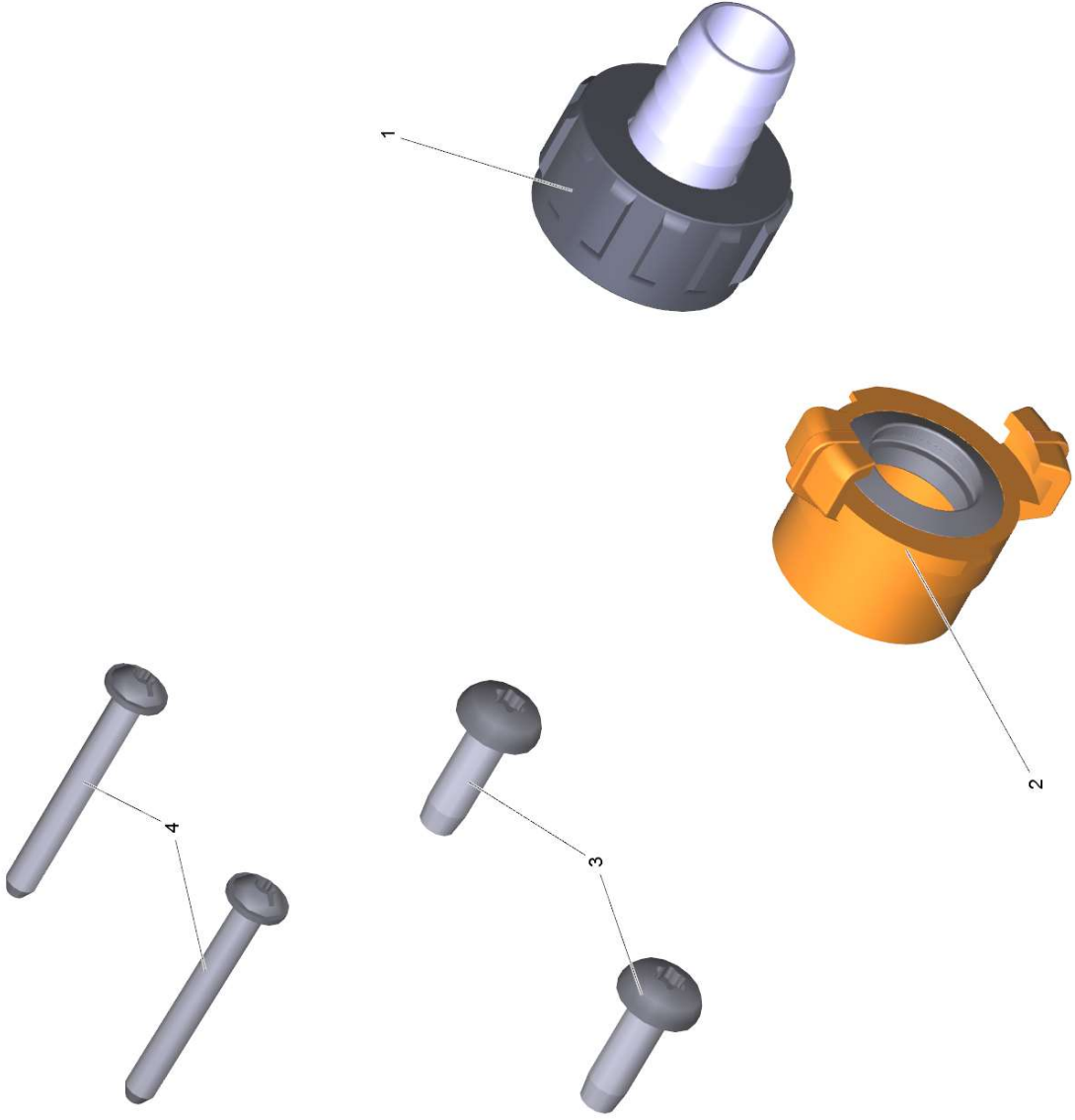


350 Power nozzle TR 25047 (2.113-009.0)

POS	Article no.	Description	Quantity	Unit
2	2.880-001.0	Spare part set seals TR	1	PC

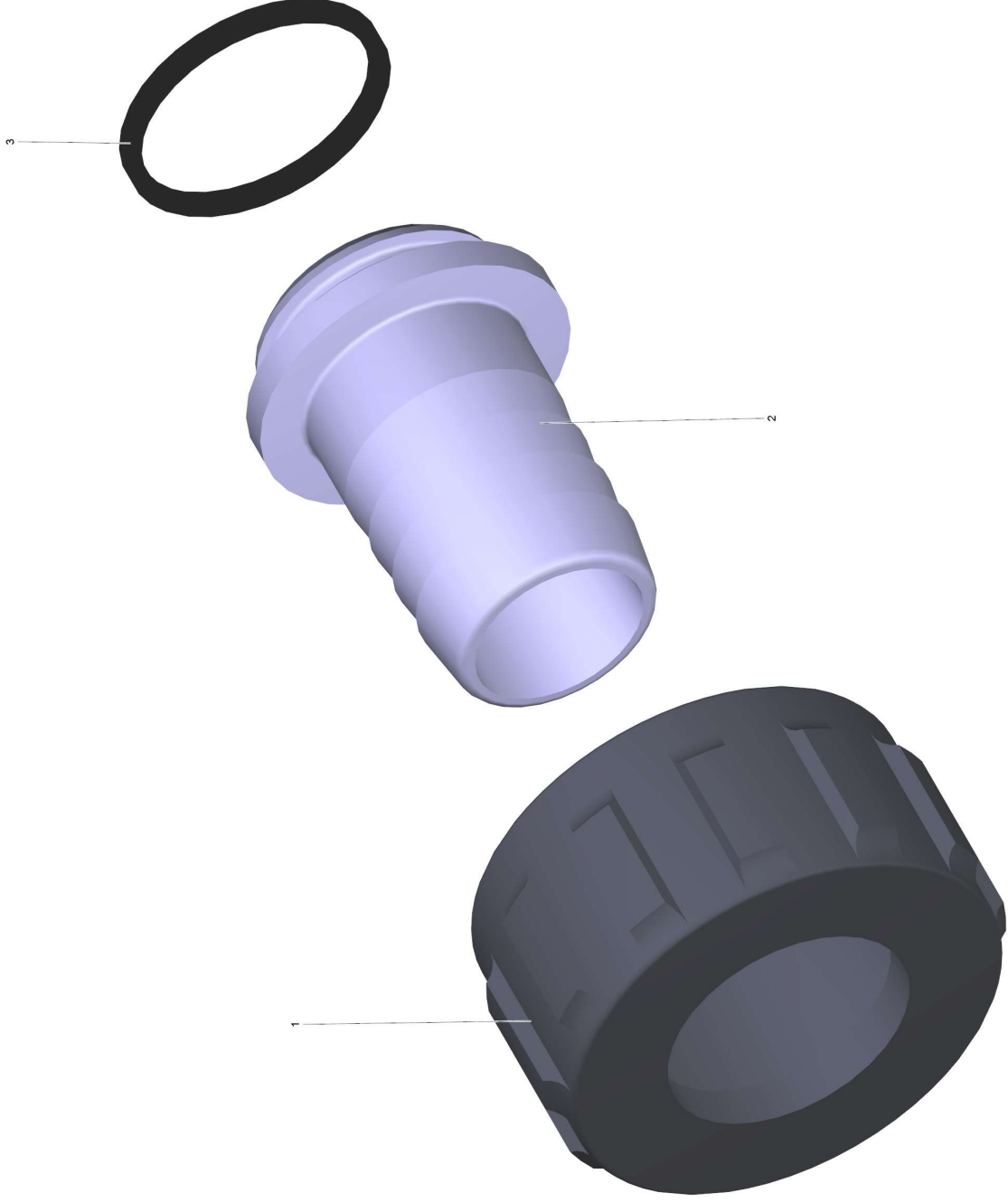
2 Spare part set seals TR (2.880-001.0)

POS	Article no.	Description	Quantity	Unit
3	4.101-244.0	O-Ring kit 10x 2 mm	1	PC
1	4.100-710.0	O-Ring seal spare part set 50x	1	PC
2	4.100-711.0	Quad joint ring spare part set 50x	1	PC



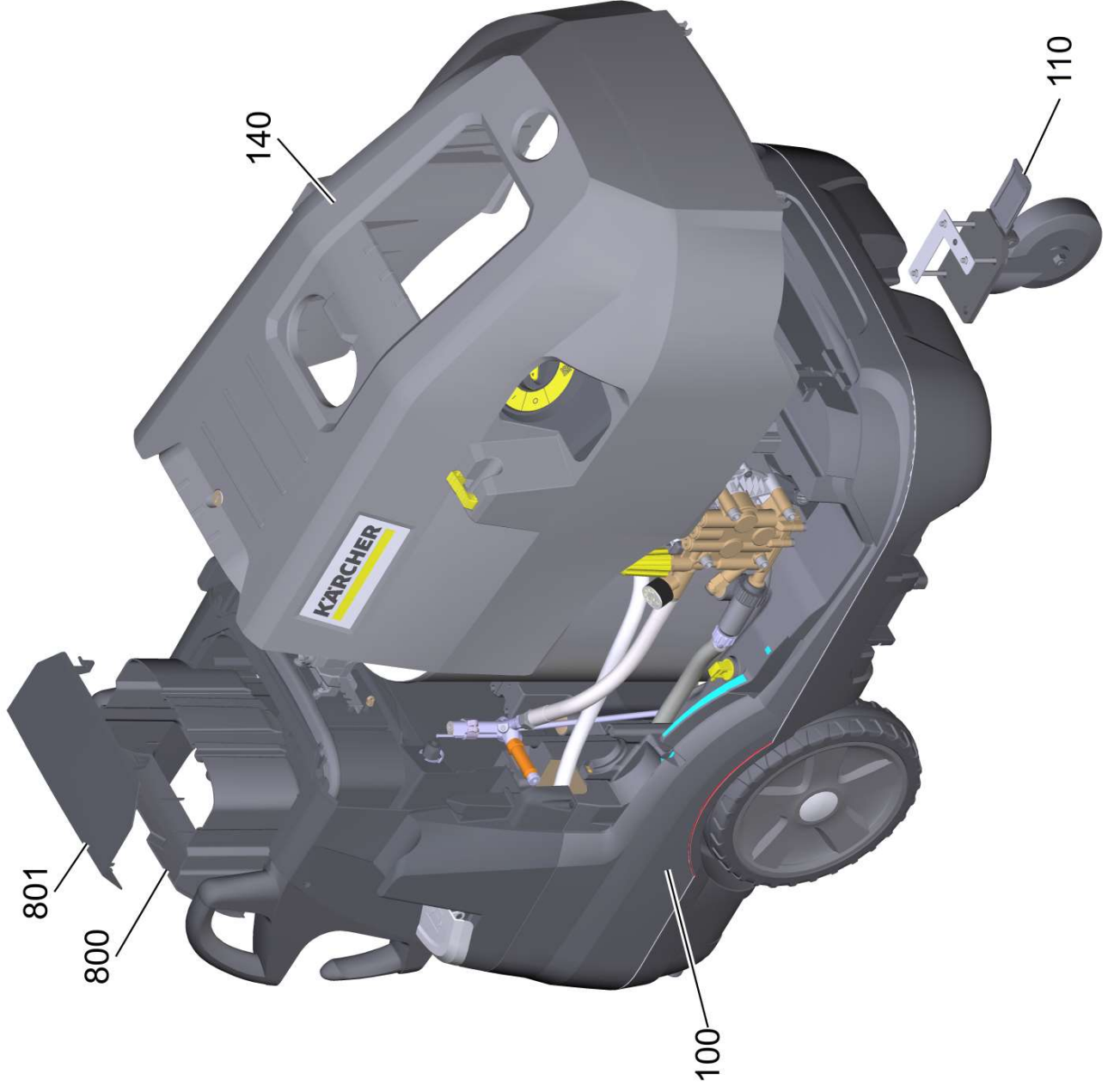
410 Set mounting parts

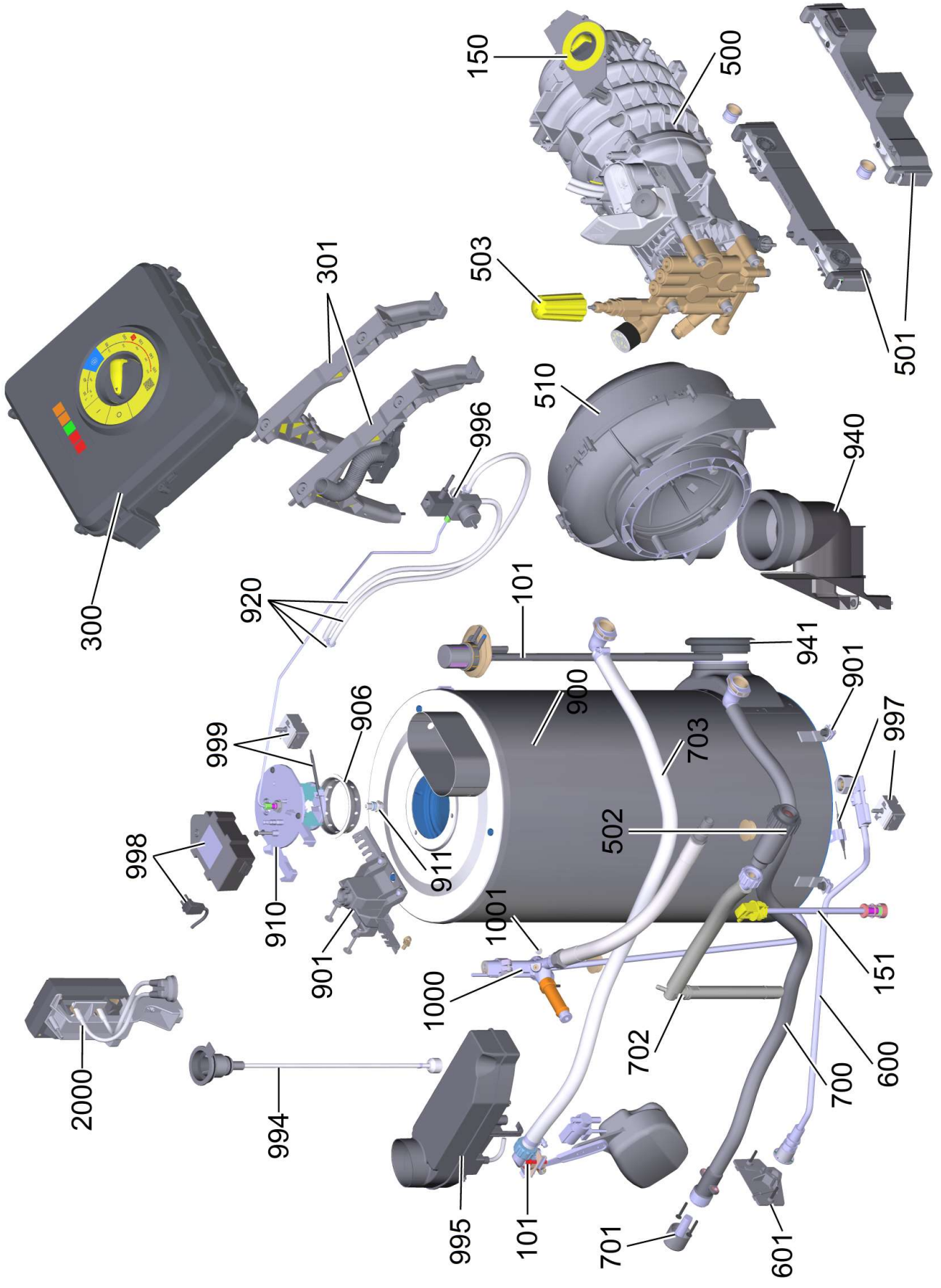
POS	Article no.	Description	Quantity	Unit
1	2.640-492.0	"Set water connection 1 """"	1	PC
2	6.388-458.0	Hose coupling	1	PC
4	7.303-209.0	Screw 6x50-10.9-R2R (K-In6Rd)	1	PC
3	7.303-069.0	Screw M 8x25-ST-R3R (IN6RD)	2	PC



1 "Set water connection 1 "" (2.640-492.0)

POS	Article no.	Description	Quantity	Unit
2	5.443-291.0	Hose stem	1	PC
1	5.310-076.0	Nut	1	PC
3	6.362-161.0	O-Ring seal 19,3 X 2,4	1	PC



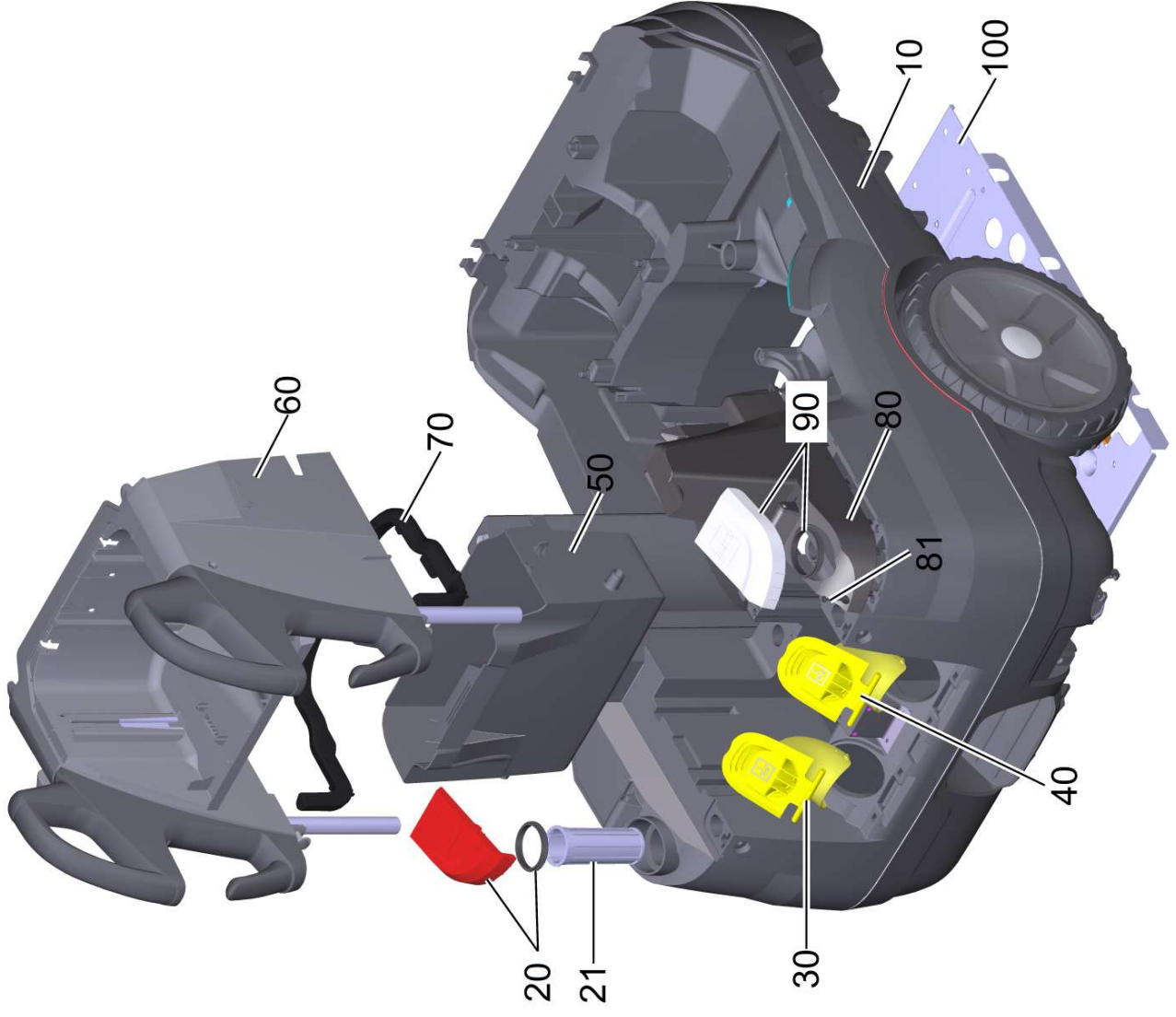


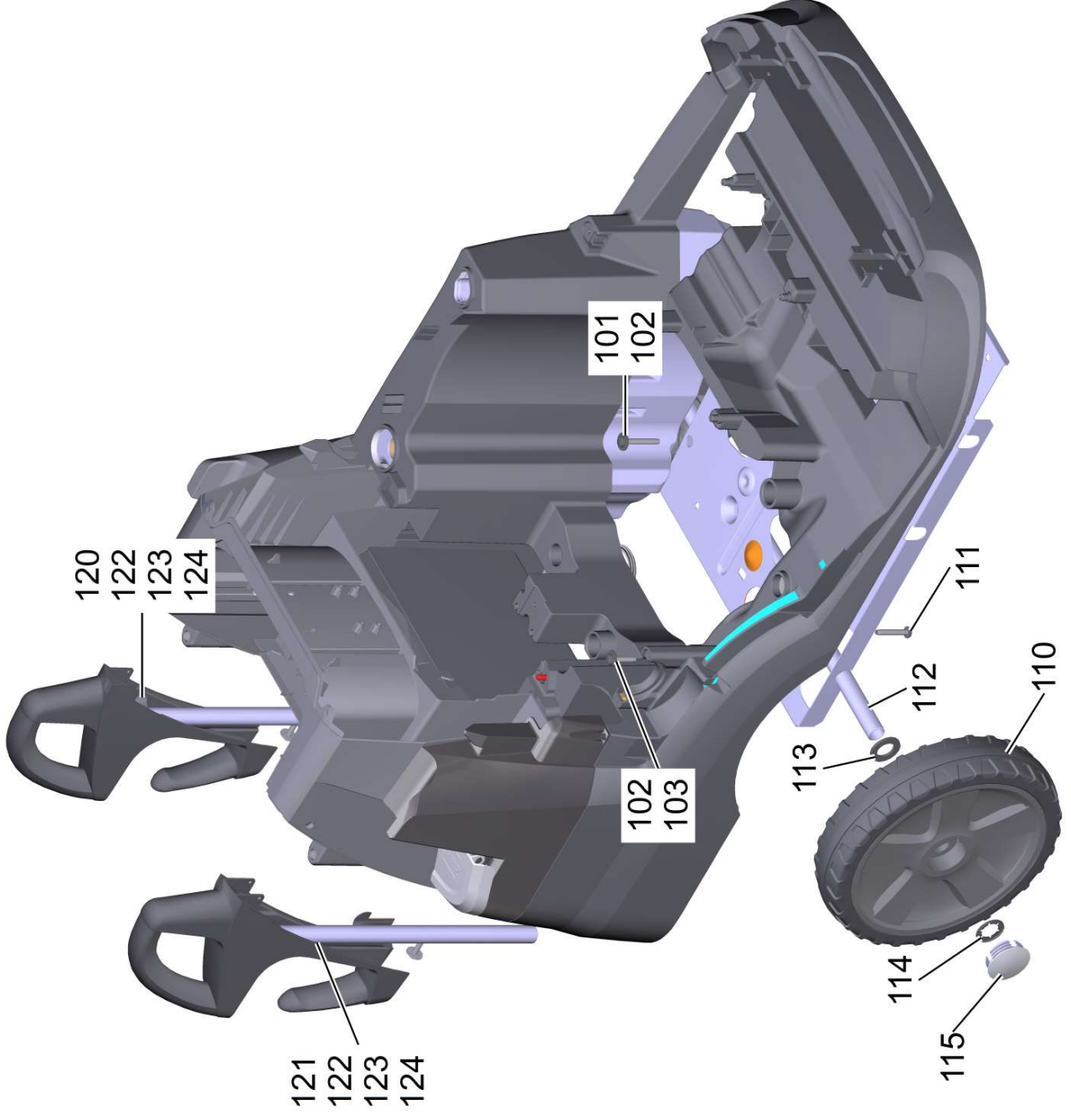
500 Unit HDS 9/20-4 M

POS	Article no.	Description	Quantity	Unit
1001	7.382-274.0	"Screw plug R1/8""-CuZn DIN 909"	1	PC
2000		Add-on kit ignition transformer HDS-M/S 400V	1	PC
940		Air circulation assembly group HDS-Next	1	PC
941	4.101-169.0	Bellows seal long	1	PC
510		Blower kit G2-A	1	PC
900		Boiler	1	PC
901		Boiler assembly group D313	1	PC
910	4.654-305.0	Burner complete	1	PC
110		Castors single	1	PC
151		Chemistry valve assembly Baugruppe	1	PC
801	5.038-705.3	Cover plate	1	PC
140	4.069-073.3	Device cover complete	1	PC
301		Electrical box assembly group HDS-M/S Next	1	PC
300		Electric control box HDS Next	1	PC
906	5.664-256.0	Flame tube	1	PC
996	6.473-552.3	Fuel pump	1	PC
920	4.473-051.3	Fuel pump ignition transformer assembly	1	PC
503	5.322-103.0	Handle	1	PC
601		High-pressure outlet assembly group HDS-M/S Next	1	PC
600	4.427-078.3	High-pressure outlet HDS Next D313	1	PC
702		Hose float	1	PC
703		Hose float	1	PC
700	4.440-792.0	Hose water connection 2-Rad	1	PC
998		Ignition transformer and cable 400 V	1	PC
701		Intake assembly group HDS-M/S Next	1	PC
994	4.747-034.3	Level probe	1	PC
500		Motor pump HDS 9/20-4 M EU 62W1528	1	PC
911	6.415-001.0	Nozzle 1,35 60° A	1	PC
101		Platform assembly group HDS-M/S Next	1	PC
100		Platform HDS -M/S Next	1	PC
150	4.063-032.3	Proportioning valve chemistry asy	1	PC
501		Pump assembly group HDS-M/S Next	1	PC
1000		Safety system	1	PC

500 Unit HDS 9/20-4 M

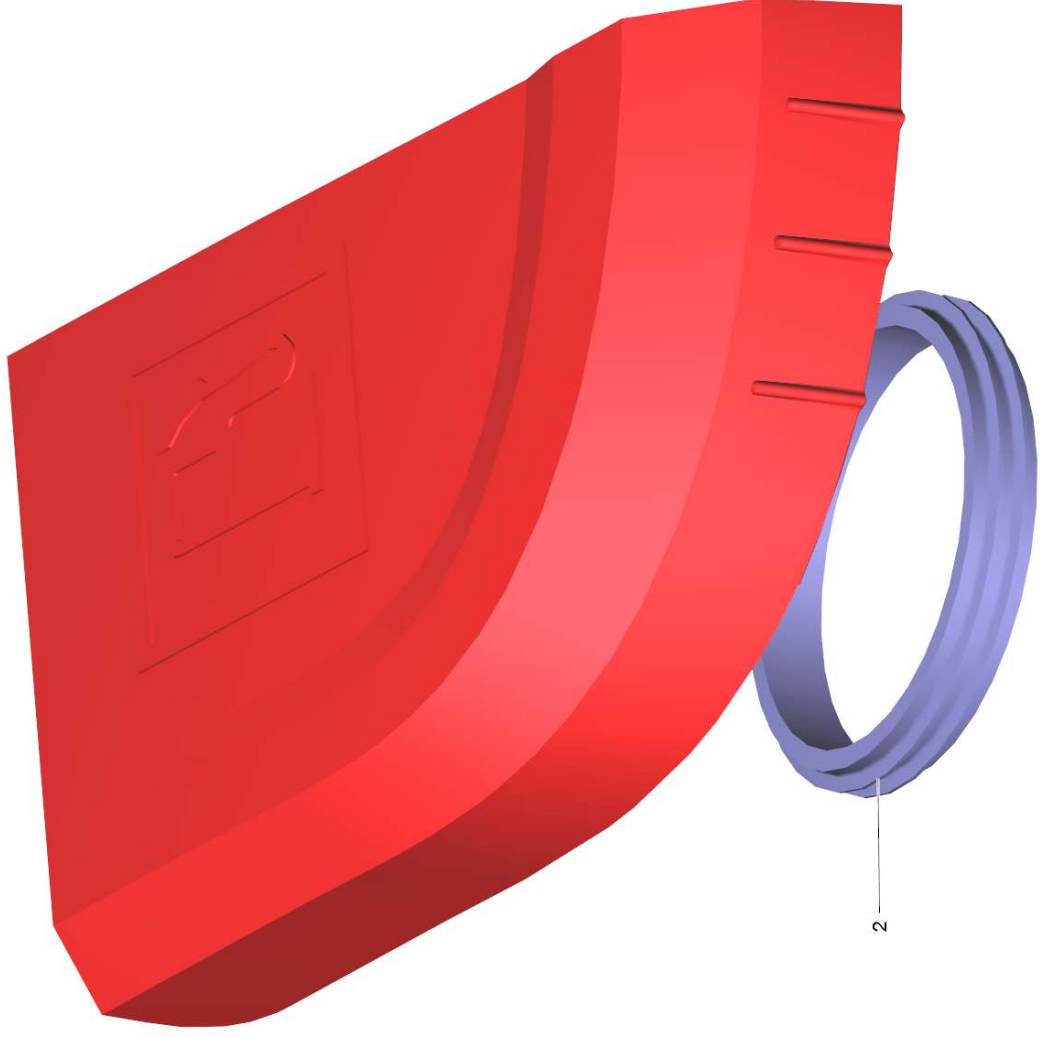
POS	Article no.	Description	Quantity	Unit
800	5.038-713.3	Storage compartment	1	PC
995	4.071-792.3	Tank kpl.	1	PC
997	4.686-021.0	Thermostat complete only for replacement	1	PC
999	4.686-029.0	Thermostat only for replacement	1	PC
502	4.730-168.3	Water filter complete	1	PC





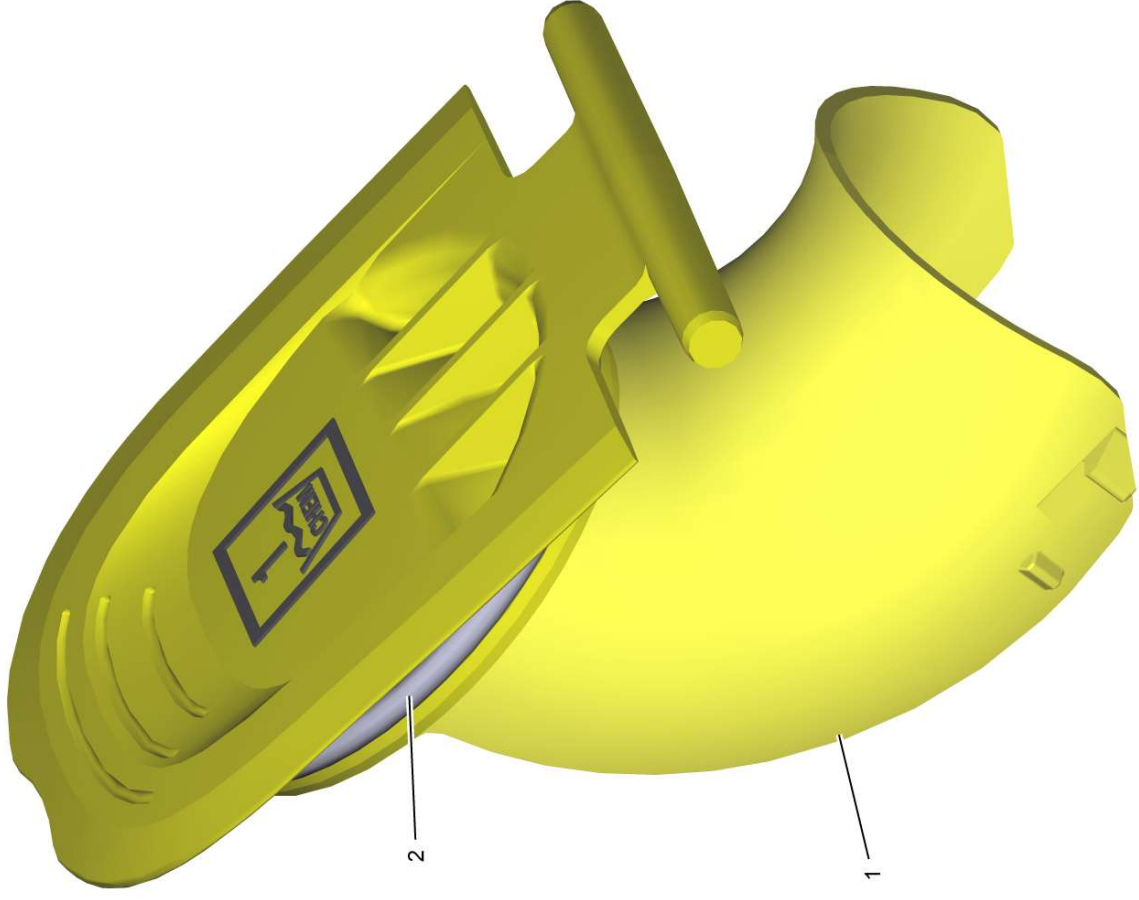
100 Platform HDS -M/S Next

POS	Article no.	Description	Quantity	Unit
112	5.105-652.0	Axle	1	PC
100	5.052-371.0	Base plate boiler	1	PC
30		Cover complete Chem 1	1	PC
40		Cover complete Chem 2	1	PC
90	4.064-014.0	Cover complete RM 110	1	PC
20	4.064-013.0	Cover fuel complete	1	PC
80	5.033-118.0	Covering cap box DGT	1	PC
21	5.731-039.0	Filter	1	PC
50	5.033-155.0	Flap	1	PC
10	4.051-109.0	Frame neue M-Klasse Ersatz	1	PC
114	6.343-162.0	Lock washer -25	2	PC
60	5.801-009.3	Mounting plate	1	PC
70	5.033-111.0	Profile	1	PC
81	7.303-086.0	Screw 5x30-10.9-R2R (K-In6Rd)	2	PC
103	6.303-497.0	Screw M8x35-8.8-A2E (IN6RD)	1	PC
124	6.303-497.0	Screw M8x35-8.8-A2E (IN6RD)	2	PC
101	7.303-236.0	Screw M 8x60-St-A3E (IN6RD)	1	PC
111	7.303-236.0	Screw M 8x60-St-A3E (IN6RD)	1	PC
115	2.889-086.0	Set wheel cap	1	PC
120	5.321-830.0	Sliding handle left	1	PC
121	5.321-831.3	Sliding handle right	1	PC
122	5.027-292.0	Tube handhold	2	PC
102	7.312-277.0	Washer 8-200HV-A2E ISO 7093-1	2	PC
123	7.312-277.0	Washer 8-200HV-A2E ISO 7093-1	2	PC
113	7.312-060.0	Washer 24-100HV-A3E ISO 7091	2	PC
110	4.515-345.0	Wheel complete	2	PC



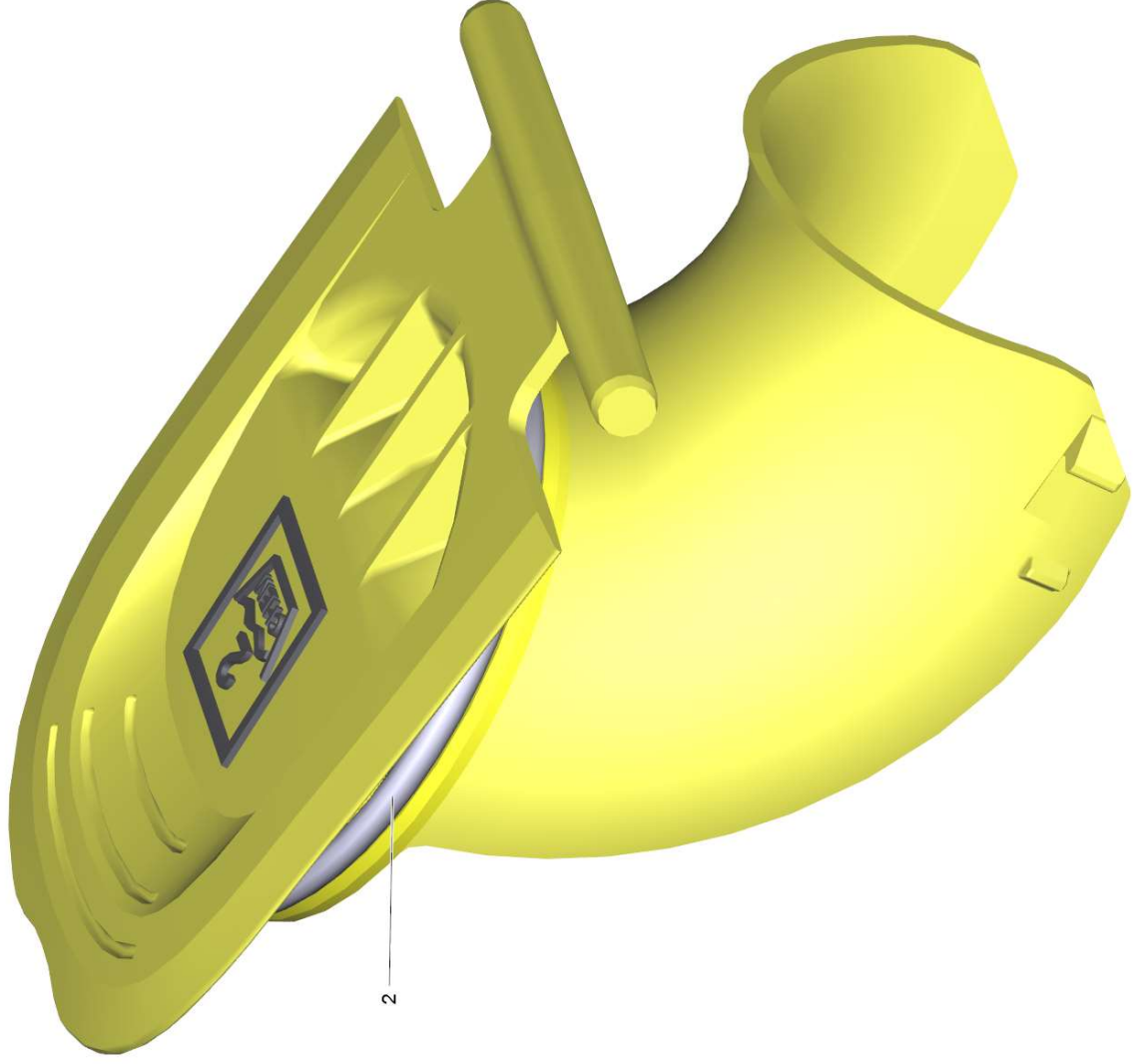
20 Cover fuel complete (4.064-013.0)

POS	Article no.	Description	Quantity	Unit
2	5.363-300.0	Joint ring	1	PC



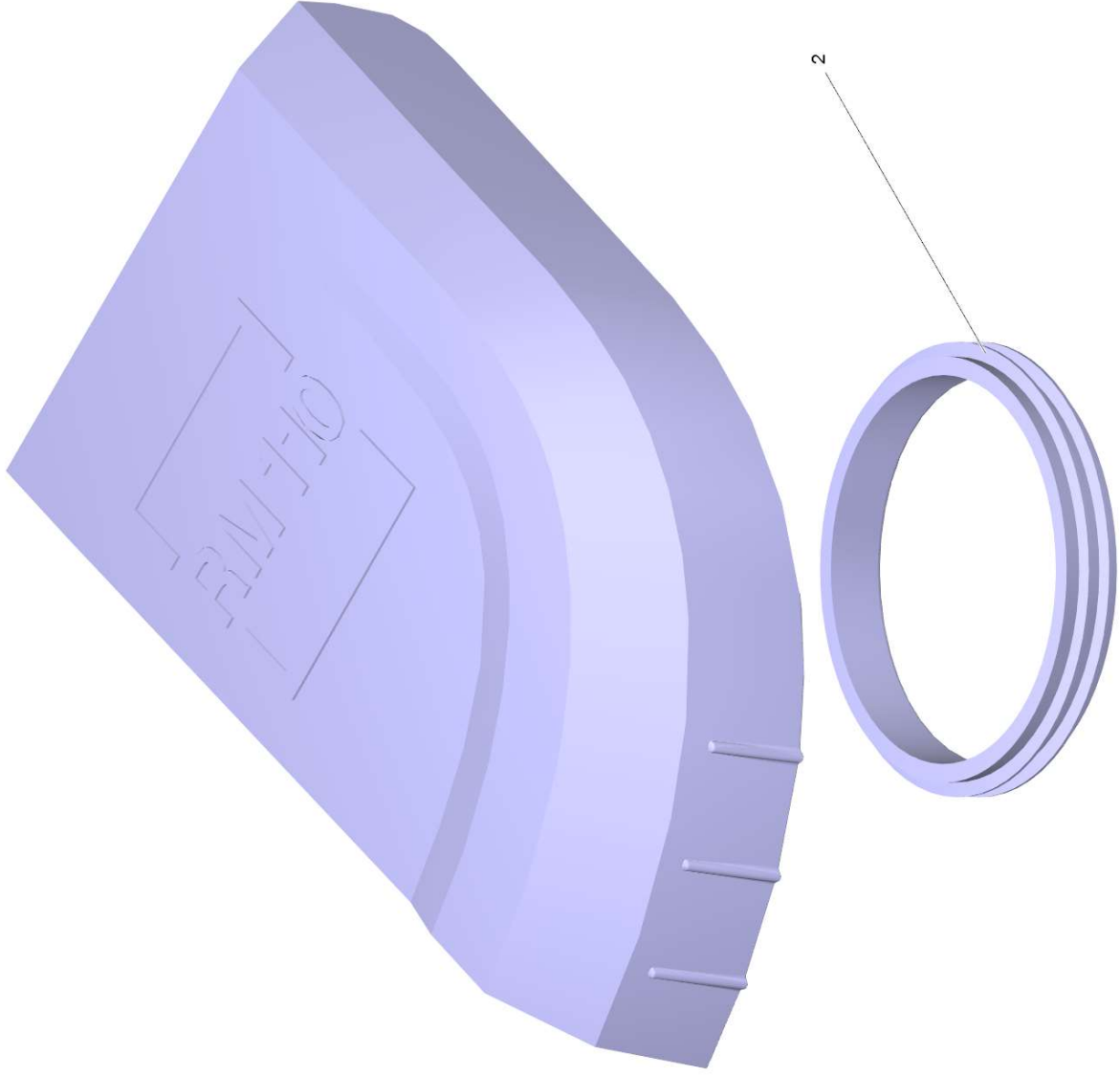
30 Cover complete Chem 1

POS	Article no.	Description	Quantity	Unit
1	5.064-221.0	Cover chemistry 1	1	PC
2	6.363-443.0	O-Ring seal 75x5	1	PC



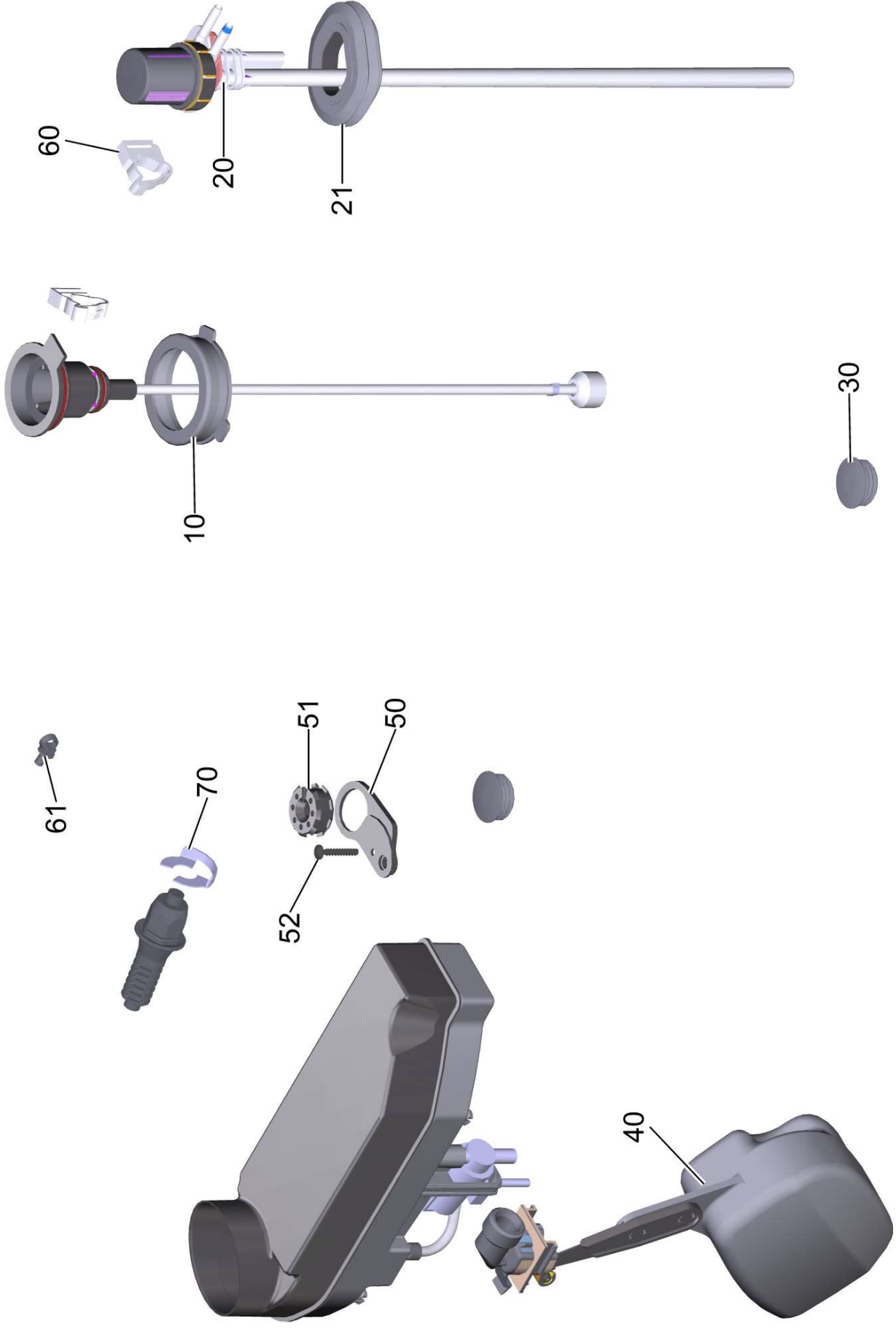
40 Cover complete Chem 2

POS	Article no.	Description	Quantity	Unit
2	6.363-443.0	O-Ring seal 75x5	1	PC



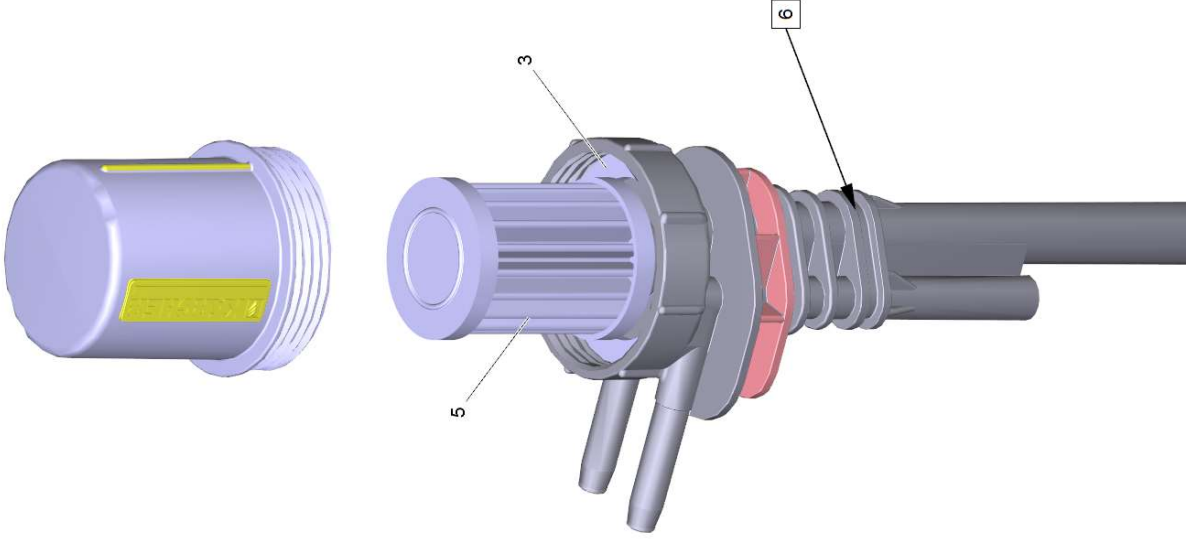
90 Cover complete RM 110 (4.064-014.0)

POS	Article no.	Description	Quantity	Unit
2	5.363-300.0	Joint ring	1	PC



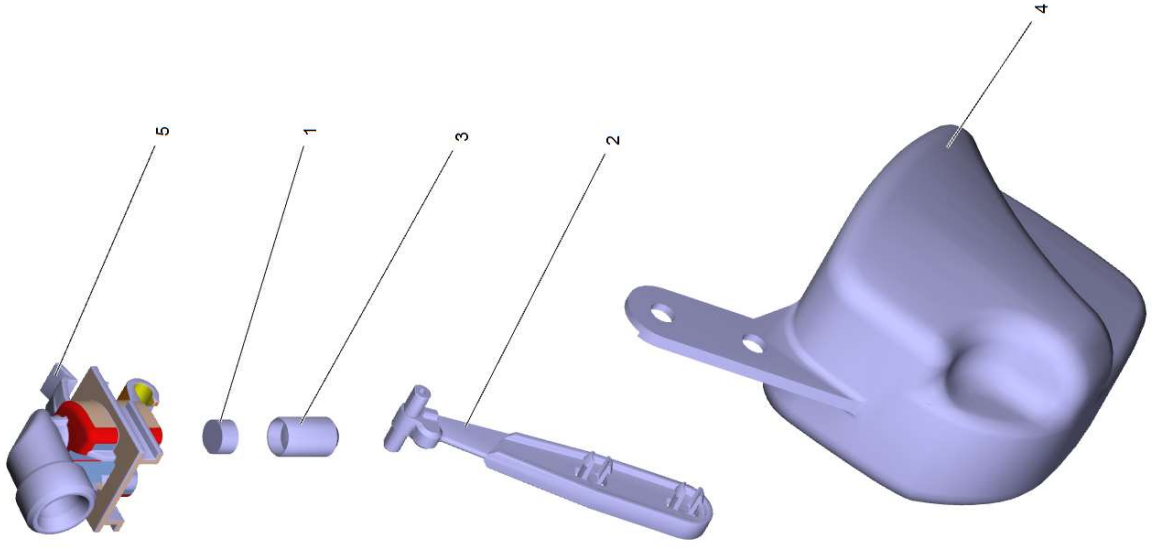
101 Platform assembly group HDS-M/S Next

POS	Article no.	Description	Quantity	Unit
61	6.650-605.0	Cable tie with clip	1	PC
30	6.368-312.0	Drain plug	2	PC
20	4.730-167.3	Filter complete	1	PC
40		Float valve	1	PC
60	5.802-306.0	Holder cable	2	PC
50	5.378-150.0	Holder pipe	1	PC
70	6.343-186.0	Locking ring	1	PC
51	5.767-023.0	Rubber buffer	1	PC
21	5.365-290.0	Rubber bushing fuel	1	PC
10	5.365-289.0	Rubber bushing transmitter feeder	1	PC
52	7.303-108.0	Screw 5x20-10.9-R2R (In6Rd)	1	PC



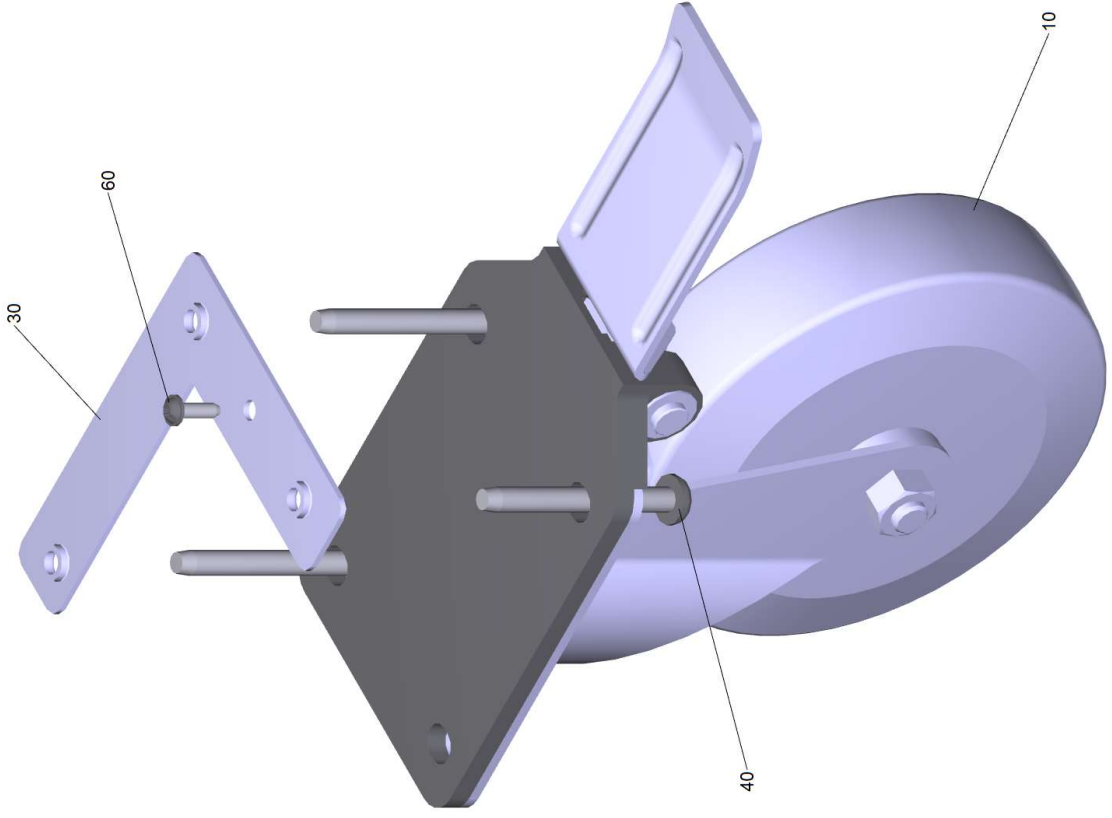
20 Filter complete (4.730-167.3)

POS	Article no.	Description	Quantity	Unit
5	6.414-559.0	Filter fuel	1	PC
6	6.362-079.0	O-Ring seal 18,0 X 2,5	1	PC
3	5.363-629.0	Seal	1	PC



40 Float valve

POS	Article no.	Description	Quantity	Unit
1	5.364-095.0	Flat gasket	1	PC
4	5.585-030.0	Float	1	PC
2	5.481-256.3	Lever	1	PC
5	5.587-214.0	Valve housing	1	PC
3	5.584-085.0	Valve pin	1	PC



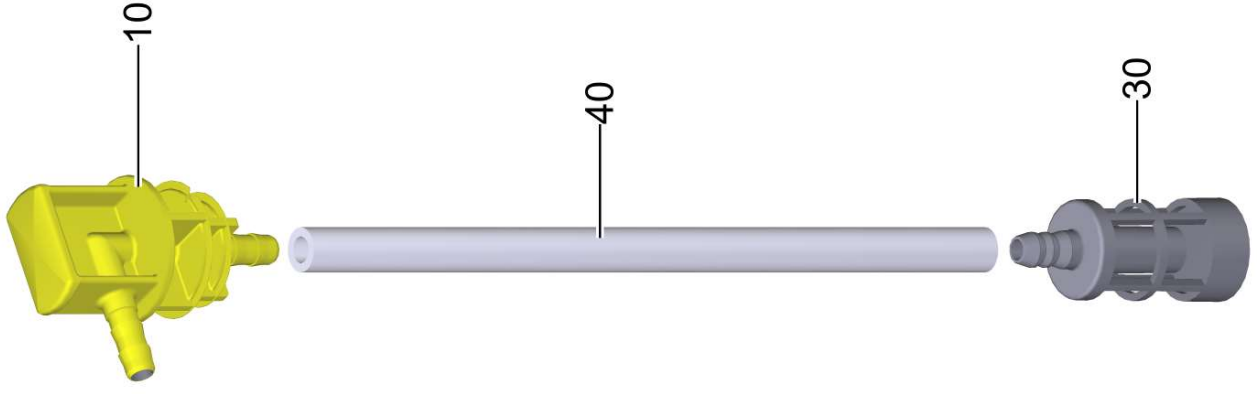
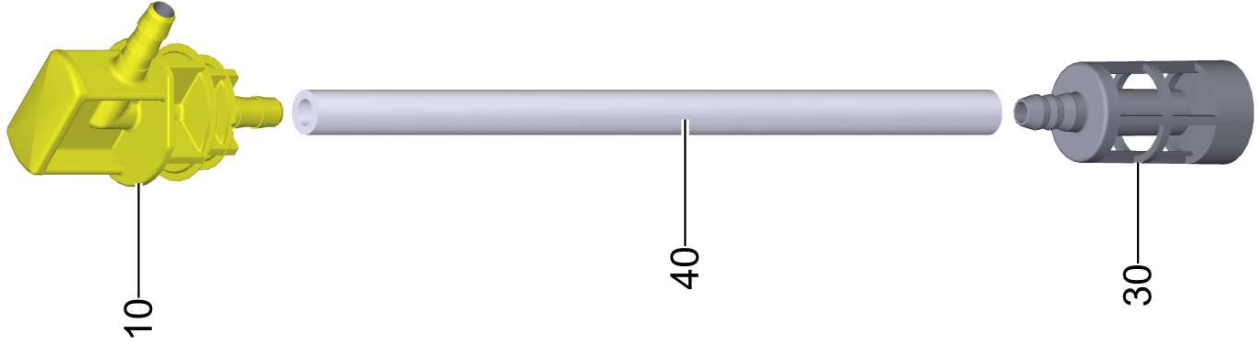
110 Castors single

POS	Article no.	Description	Quantity	Unit
10	6.435-747.0	Castor	1	PC
30	5.424-137.0	Fixing castor	1	PC
60	7.303-107.0	Screw 5x16-10.9-P2R (K-In6Rd)	1	PC
40	7.303-237.0	Screw M 8x70-St-A3K (IN6RD)	3	PC



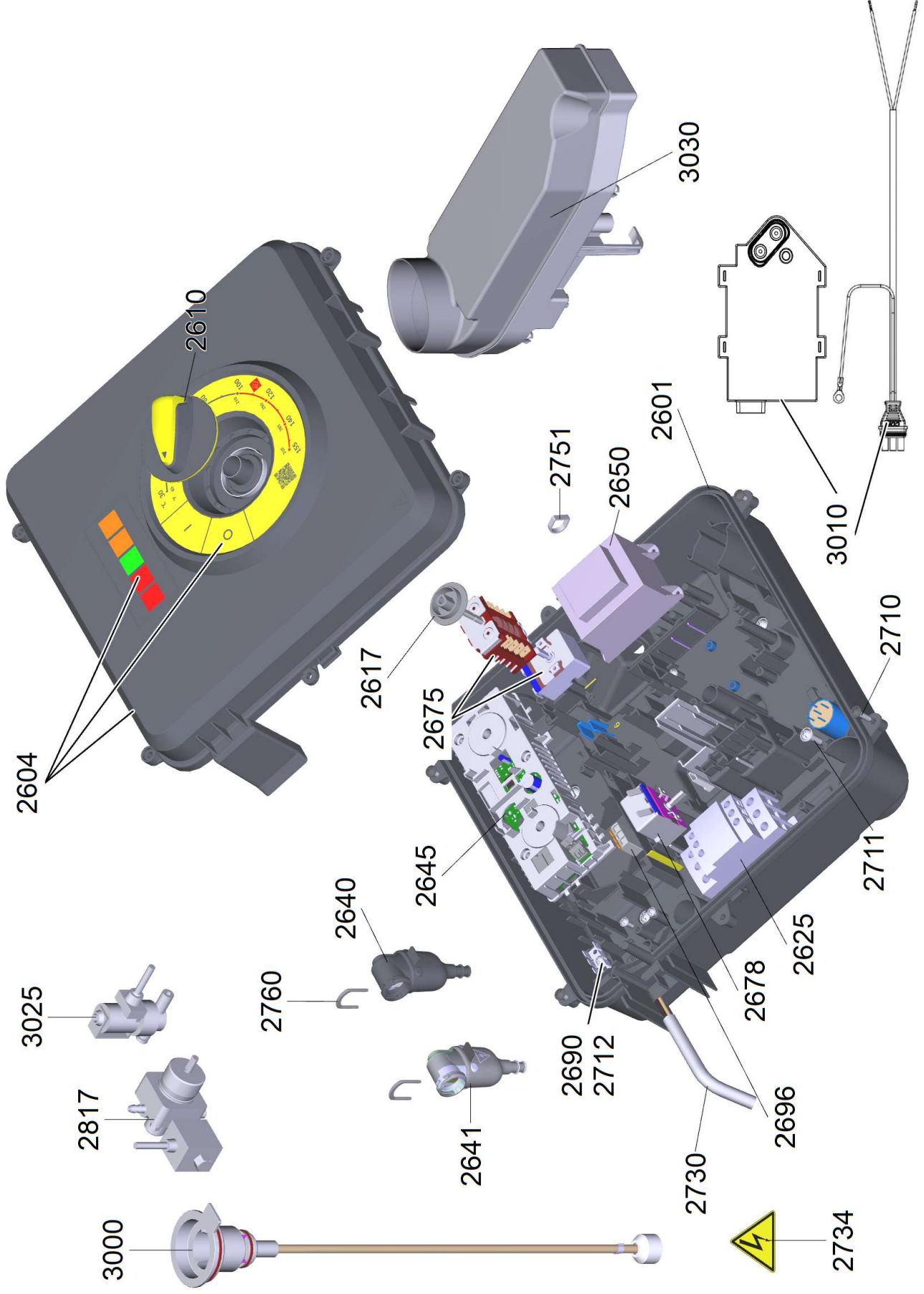
140 Device cover complete (4.069-073.3)

POS	Article no.	Description	Quantity	Unit
3	5.314-014.3	Bolt bearing	2	PC
5	5.317-765.0	Bolt closure cover	1	PC
2	5.424-162.0	Fixing jet pipe	1	PC
6	5.332-236.0	Helical spring	1	PC
4	5.385-503.3	Label logo clipped XL Professional	2	PC



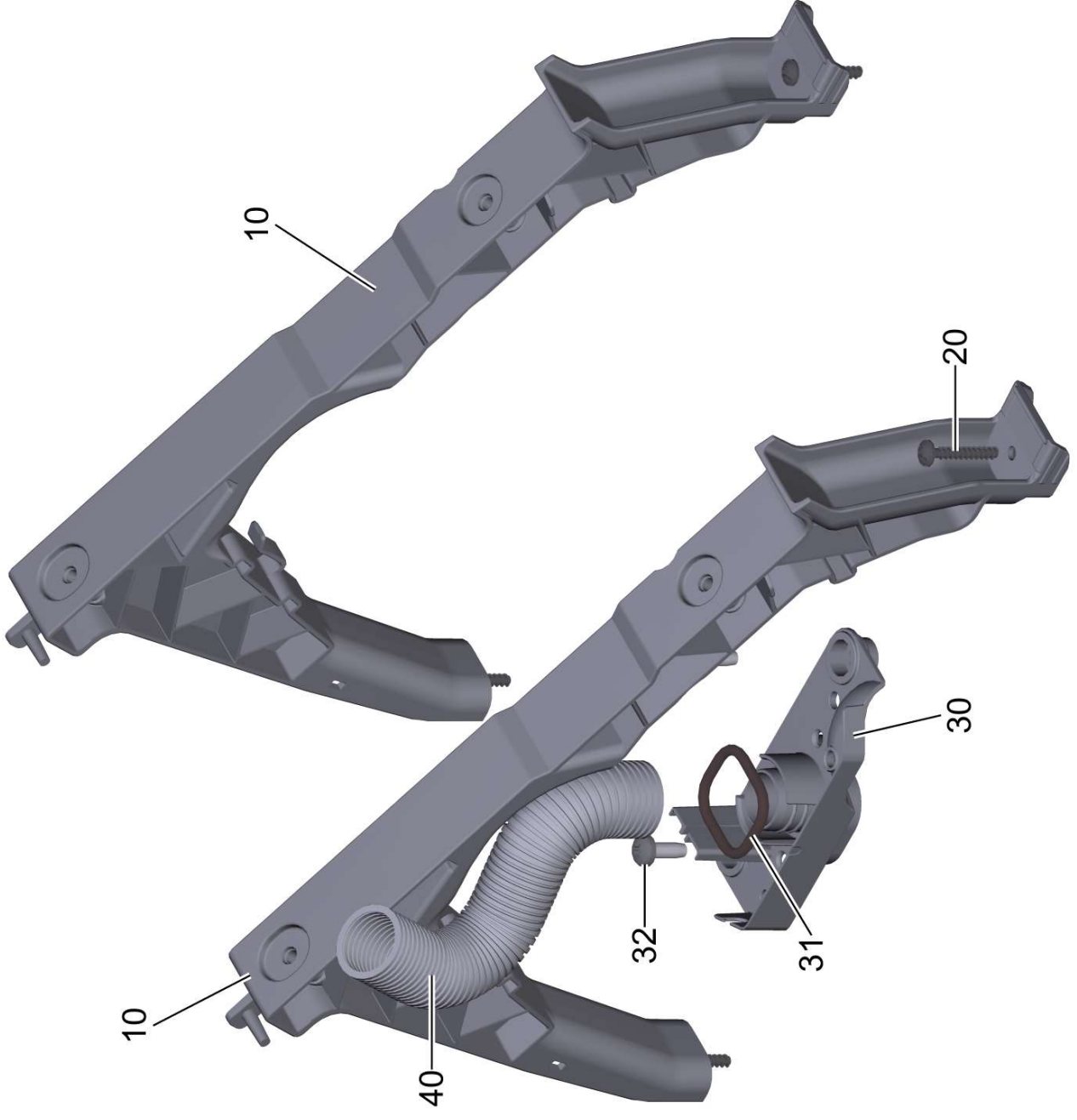
151 Chemistry valve assembly Baugruppe

POS	Article no.	Description	Quantity	Unit
30	5.731-638.0	Filter with weight	2	PC
40	6.391-341.0	Hose chemistry DN 6	4.870	m
10	5.132-195.0	Plug aspiration chemistry	2	PC



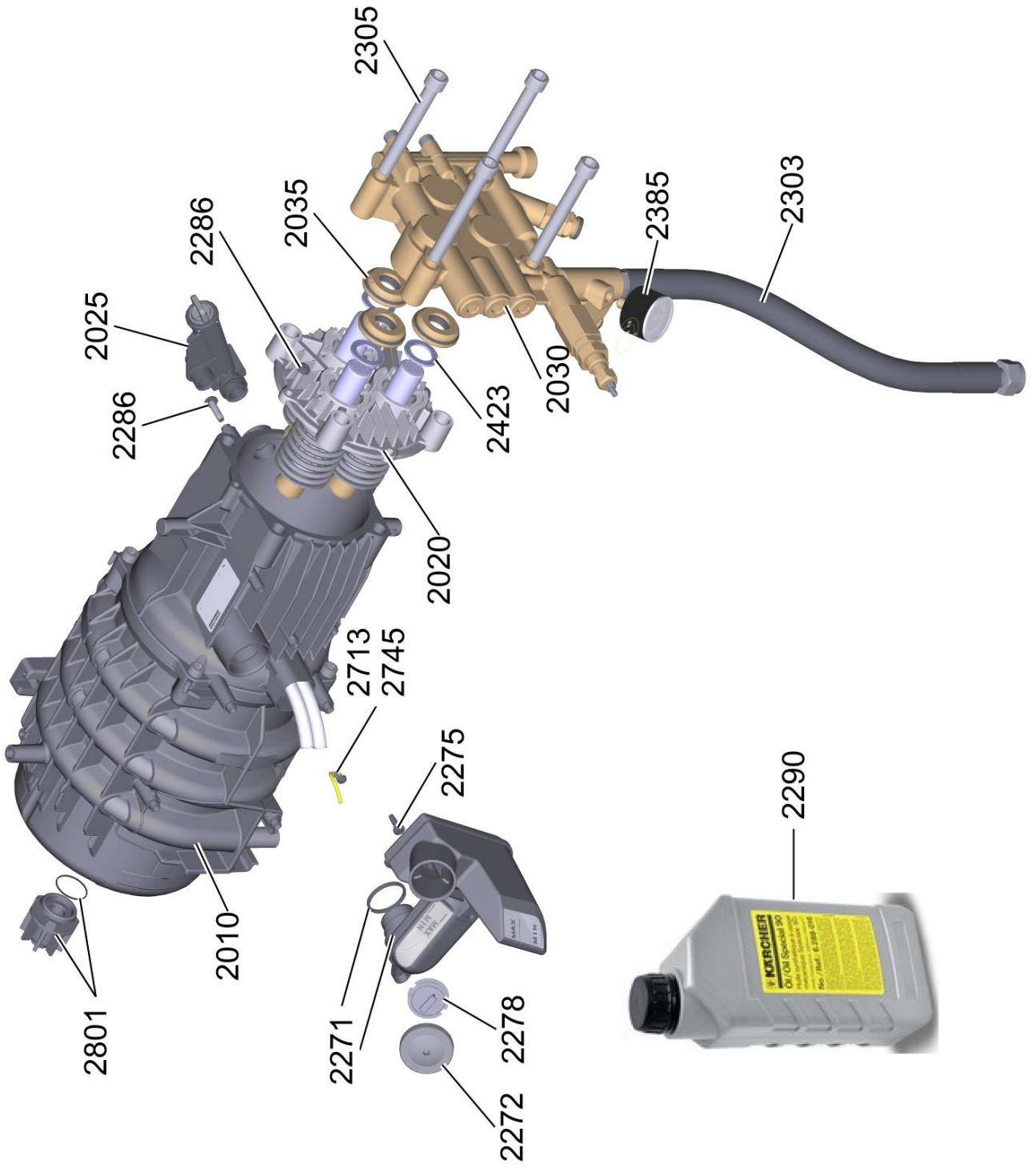
300 Electric control box HDS Next

POS	Article no.	Description	Quantity	Unit
2734	4.101-165.0	Cable set	1	PC
2751	6.641-458.0	Cable tape nature 4,6x150mm	1	PC
2730	6.651-979.3	Cable with plug 4x1,5mm²	1	PC
2625	6.632-356.0	Contacteur LC1-D18 B7	1	PC
2650	6.622-364.3	Control transformer	1	PC
2604	4.101-164.0	Cover plate electric control box cpl.	1	PC
2617	5.045-307.3	Distance holder	1	PC
2645	4.051-378.3	Frame circuit board complete	1	PC
2817	6.473-552.3	Fuel pump	1	PC
2610	5.324-233.0	Handle	1	PC
2601	5.060-212.3	Housing electric control box	1	PC
3010		Ignition transformer and cable 400 V	1	PC
3000	4.747-034.3	Level probe	1	PC
2690	6.641-270.0	Plug	1	PC
2760	5.034-494.0	Retaining bracket	2	PC
2712	7.303-106.0	Screw 4x12-10.9-R2R (In6Rd)	3	PC
2710	7.303-108.0	Screw 5x20-10.9-R2R (In6Rd)	4	PC
2711	7.303-112.0	Screw 6x20 -10.9-R2R (In6Rd)	4	PC
3025	6.686-656.3	Solenoid valve DN 3 24V	1	PC
2675	4.101-136.0	Spare parts set switch thermostat	1	PC
2696	6.643-017.0	Strip terminal 3 connections 0,14 - 4 mm	1	PC
2640	4.744-026.3	Switch complete	1	PC
2641	4.744-027.3	Switch complete	1	PC
3030	4.071-792.3	Tank kpl.	1	PC
2678	4.686-029.0	Thermostat only for replacement	1	PC



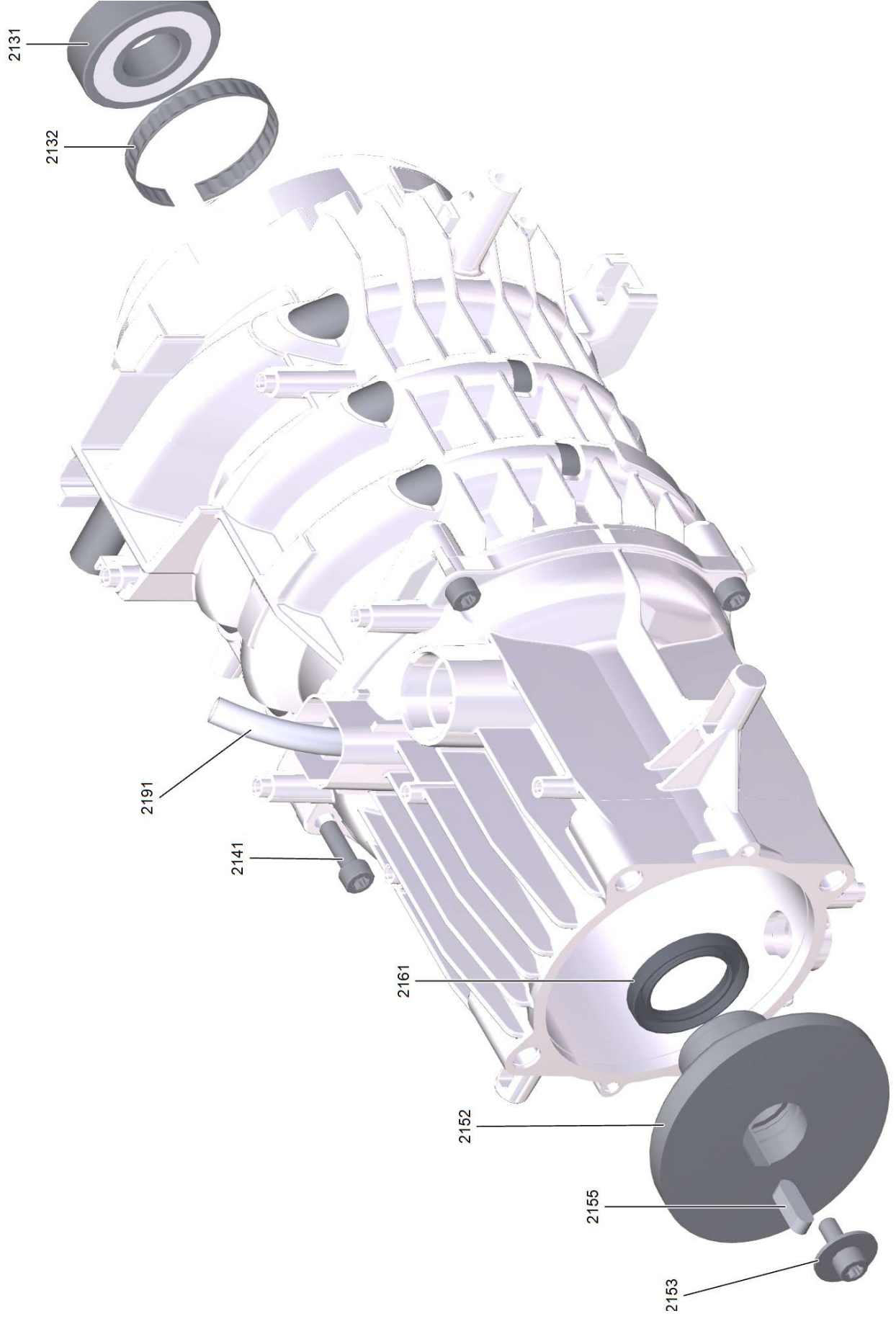
301 Electrical box assembly group HDS-M/S Next

POS	Article no.	Description	Quantity	Unit
30	5.059-299.0	Holder kabel	1	PC
31	6.362-193.0	O-Ring seal 31,5x4	1	PC
40	6.642-439.0	Protection hose cable	1	PC
10	5.802-021.0	Retainer electrical box	2	PC
20	7.303-086.0	Screw 5x30-10.9-R2R (K-In6Rd)	4	PC
32	7.303-047.0	Screw M6x16 -5t-R3R (In6Rd)	2	PC



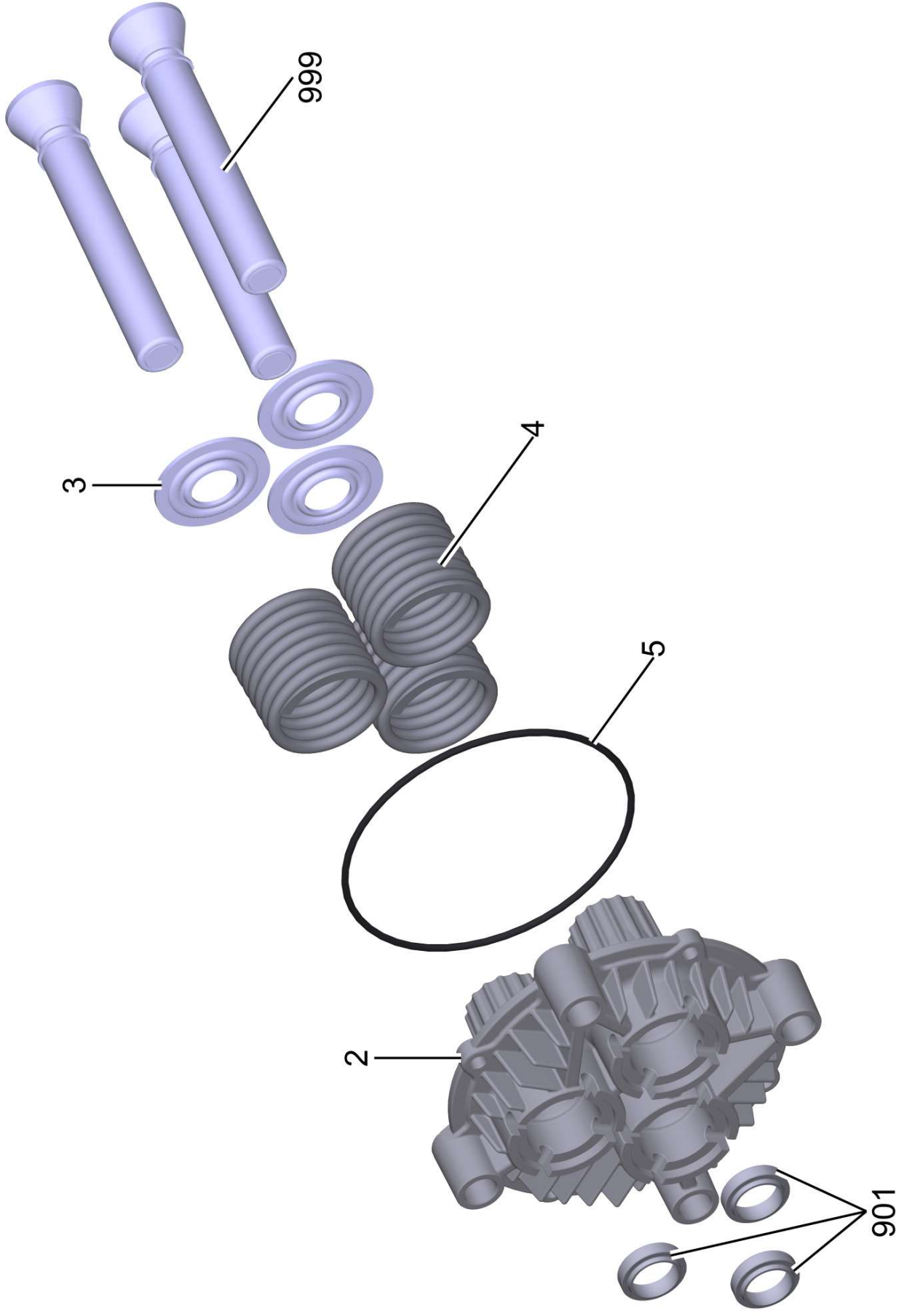
500 Motor pump HDS 9/20-4 M EU 62W1528

POS	Article no.	Description	Quantity	Unit
2801	4.101-141.0	Adapter short cpl.	1	PC
2035		Bush low-pressure cpl. D20	3	PC
2745	4.820-578.0	Cable green/yellow 1,5mm ² x450mm	1	PC
2278	5.063-042.0	Cover plate oil box	1	PC
2272	5.064-457.0	Cover plate rusty grey oil	1	PC
2030		Cylinder head cpl. 62 20 HDS	1	PC
2305	7.306-155.0	Cylinder head screw M12x100 -8.8-A3E IS	4	PC
2290	6.288-016.0	Gear oil 1L	1	PC
2303	6.391-629.0	High pressure hose DN 13	1	PC
2271	4.101-077.0	Oil container cpl.	1	PC
2025	4.444-132.0	Oil drain connection piece cpl.	1	PC
2020		Piston guidance cpl. 62 20	1	PC
2385	4.422-990.0	Pressure gauge complete only for replace	1	PC
2713	7.303-031.0	Screw M4x10 -St-P2R (In6Rd)	1	PC
2275	6.303-153.0	Screw M5x15-ST-R2R (IN6RD)	2	PC
2203	7.303-048.0	Screw M6x20 -St-R3R (In6Rd)	2	PC
2286	7.303-048.0	Screw M6x20 -St-R3R (In6Rd)	1	PC
2010	4.624-498.3	Transmission 62 W 15 28	1	PC
2423	5.115-538.0	Washer	3	PC



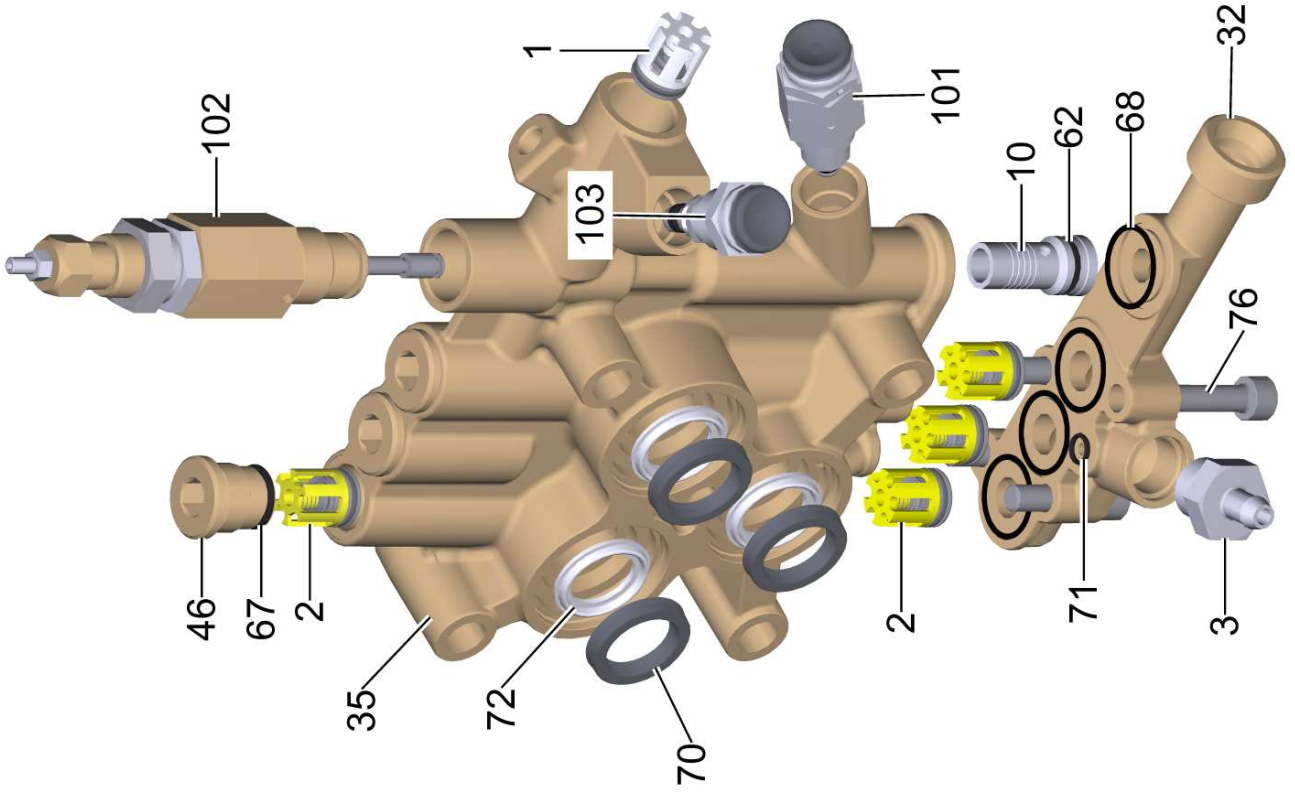
2010 Transmission 62 W 15 28 (4.624-498.3)

POS	Article no.	Description	Quantity	Unit
2131	6.401-253.0	Ball bearing 6305-2Z	1	PC
2141	7.306-166.0	Cylinder head screw M8x25 -8.8-A2E ISO 14579	4	PC
2191	6.642-043.0	Insulating hose 10	1	m
2155	7.318-035.0	Parallel key 8x7x25 -C45K DIN 6885-1	1	PC
2161	7.367-009.0	Radial shaft seal ring A35x52x7-NBR DIN	1	PC
2153	6.303-173.0	Screw with washer M8x20 D28	1	PC
2132	6.343-010.0	Tolerance ring 62x10	1	PC
2152	5.120-039.0	Wobble plate 11,55mm / 10°33'	1	PC



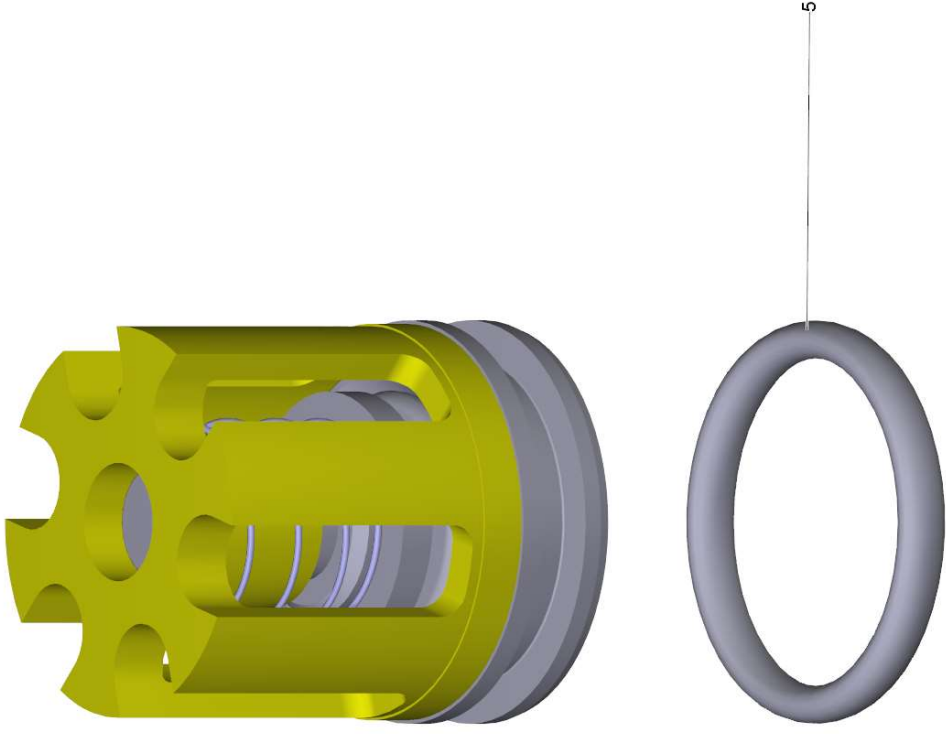
2020 Piston guidance cpl. 62 20

POS	Article no.	Description	Quantity	Unit
4	5.332-187.0	Helical spring	3	PC
5	6.363-228.0	O-Ring seal 114 x 3	1	PC
901		Part at pump set	1	PC
999	4.553-290.3	Piston complete D20	3	PC
2	5.060-936.3	Thrust guidance D 20	1	PC
3	5.115-991.0	Washer	3	PC



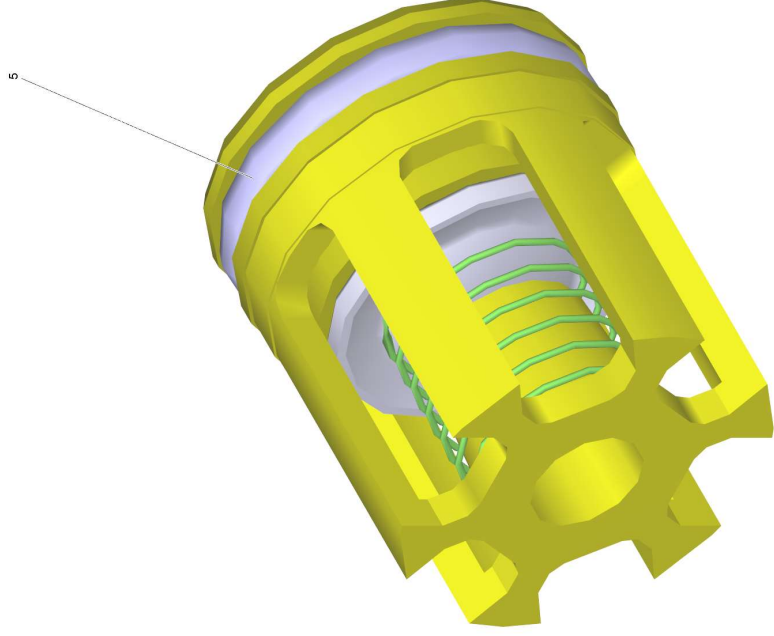
2030 Cylinder head cpl. 62 20 HDS

POS	Article no.	Description	Quantity	Unit	Foot note text
101	2.885-894.3	Control piston complete replacement	1	PC	
103	2.885-898.3	Control piston complete replacement	1	PC	
35	5.550-058.3	Cylinder head 62 20 HDS	1	PC	
76	7.306-043.0	Cylinder head screw M8x30 - 8.8-A2E ISO	4	PC	
102	2.885-895.3	Excess-current complete	1	PC	
70	6.365-377.0	Grooved ring 20x30x6	3	PC	
32	5.427-418.0	Manifold water intake	1	PC	
71	6.362-703.0	O-Ring seal 6,0x1,5-NBR 70	1	PC	
62	6.362-381.0	O-Ring seal 13x2 - NBR 70	1	PC	
67	6.362-481.0	O-Ring seal 14,0 x 2,0 NBR 80	3	PC	
68	6.363-536.0	O-Ring seal 21x1,5	4	PC	
10	5.100-713.0	Sleeve	1	PC	BRASS CONSTRUCTION
10	5.100-714.0	Sleeve	1	PC	STAINLESS STEEL CONSTRUCTION
100	2.885-034.0	Spare part set pump	1	PC	
72	6.365-378.0	Supportring 20x30x4,2	1	PC	
2	2.884-512.0	Valve (3 Stueck)	2	PC	
1	4.580-594.0	Valve complete	1	PC	
3	4.580-581.3	Valve complete	1	PC	
46	5.583-146.3	Valve screw	3	PC	



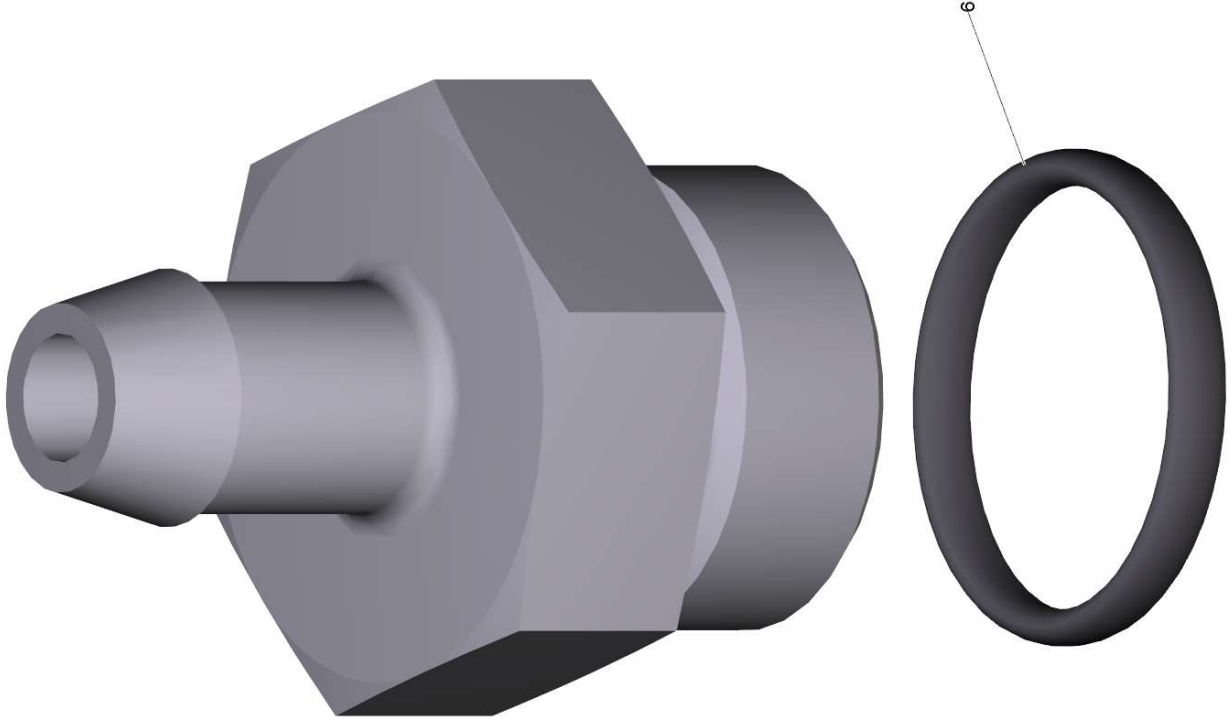
1 Valve complete (4.580-594.0)

POS	Article no.	Description	Quantity	Unit
5	6.362-381.0	O-Ring seal 13x2 - NBR 70	1	PC



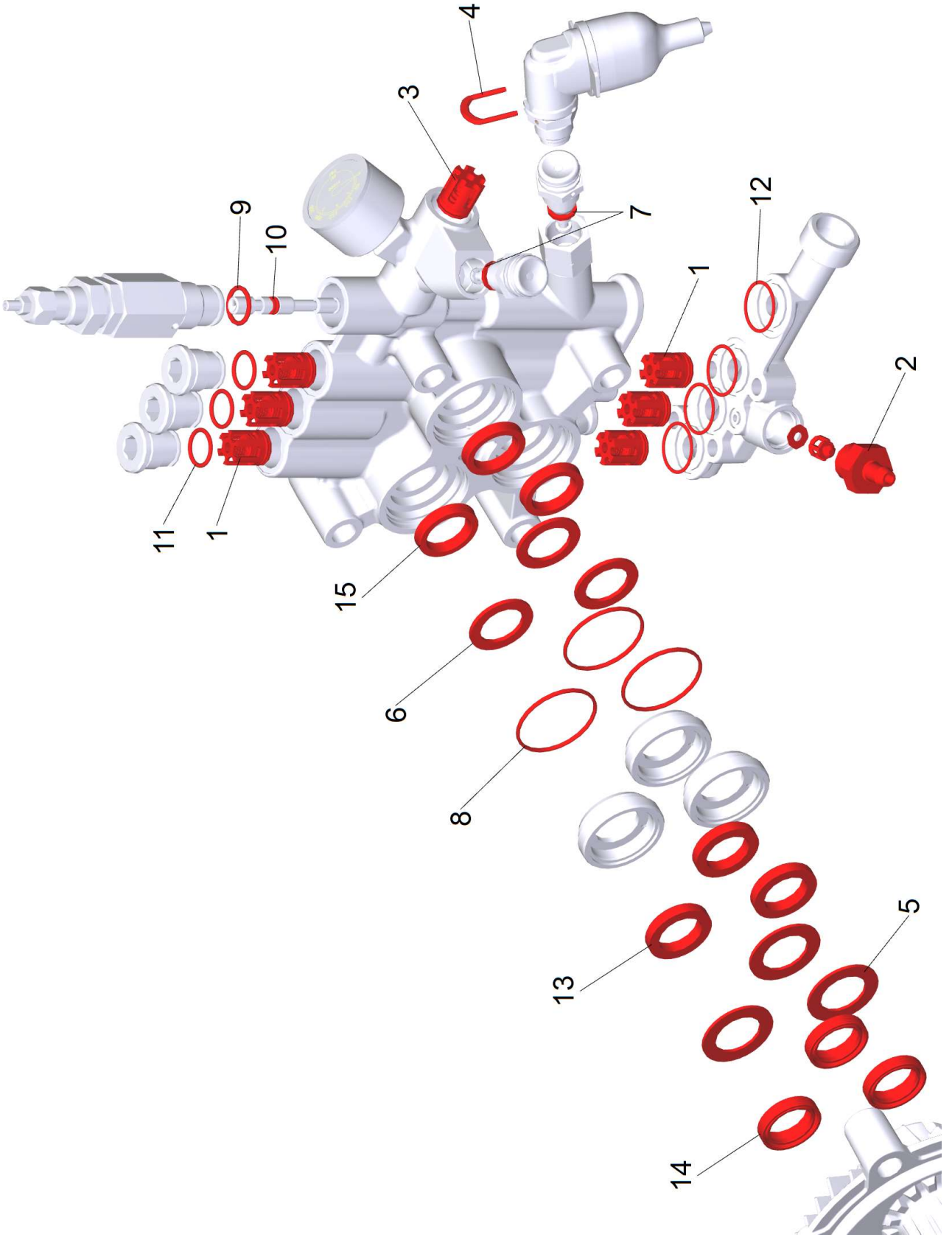
2 Valve (3 Stueck) (2.884-512.0)

POS	Article no.	Description	Quantity	Unit
5	6.363-003.0	O-Ring seal 13,0 X 2,0-NBR 90	1	PC



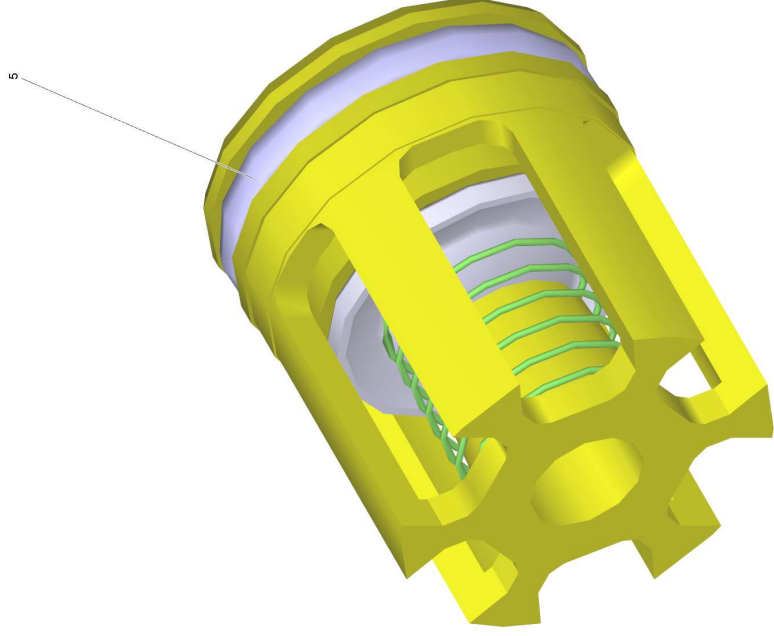
3 Valve complete (4.580-581.3)

POS	Article no.	Description	Quantity	Unit
6	6.362-427.0	O-Ring seal 15,0x2,0	1	PC



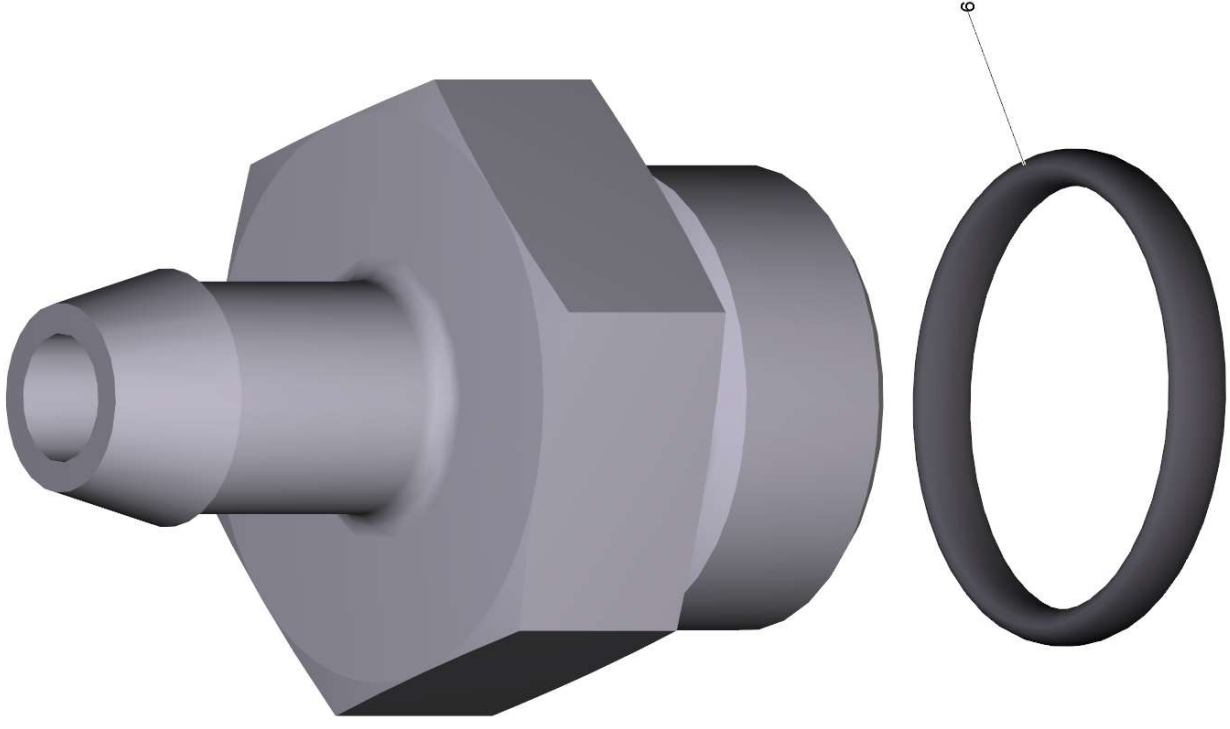
100 Spare part set pump (2.885-034.0)

POS	Article no.	Description	Quantity	Unit
13	6.365-053.0	Compact seal 20X30X6	3	PC
14	6.365-377.0	Grooved ring 20x30x6	3	PC
11	6.362-481.0	O-Ring seal 14,0 x 2,0 NBR 80	3	PC
9	6.362-427.0	O-Ring seal 15,0x2,0	1	PC
12	6.362-507.0	O-Ring seal 20,0 X 1,3	4	PC
	Item text1: replaced by 6.362-547.0			
12	6.362-547.0	O-Ring seal 20,0x1,5-NBR 70	4	PC
	Item text1: successor of 6.362-507.0			
8	6.362-092.0	O-Ring seal 36,0 X 2,0-NBR 70	3	PC
10	6.362-468.0	O-Ring seal complete 1ST.-R.	1	PC
4	5.034-494.0	Retaining bracket	2	PC
15	6.365-378.0	Supportring 20x30x4,2	3	PC
1	2.884-512.0	Valve (3 Stueck)	2	PC
2	4.580-581.3	Valve complete	1	PC
3	4.580-594.0	Valve complete	1	PC
5	5.115-537.0	Washer	3	PC
6	5.115-538.0	Washer	3	PC
7	5.115-796.0	Washer	2	PC



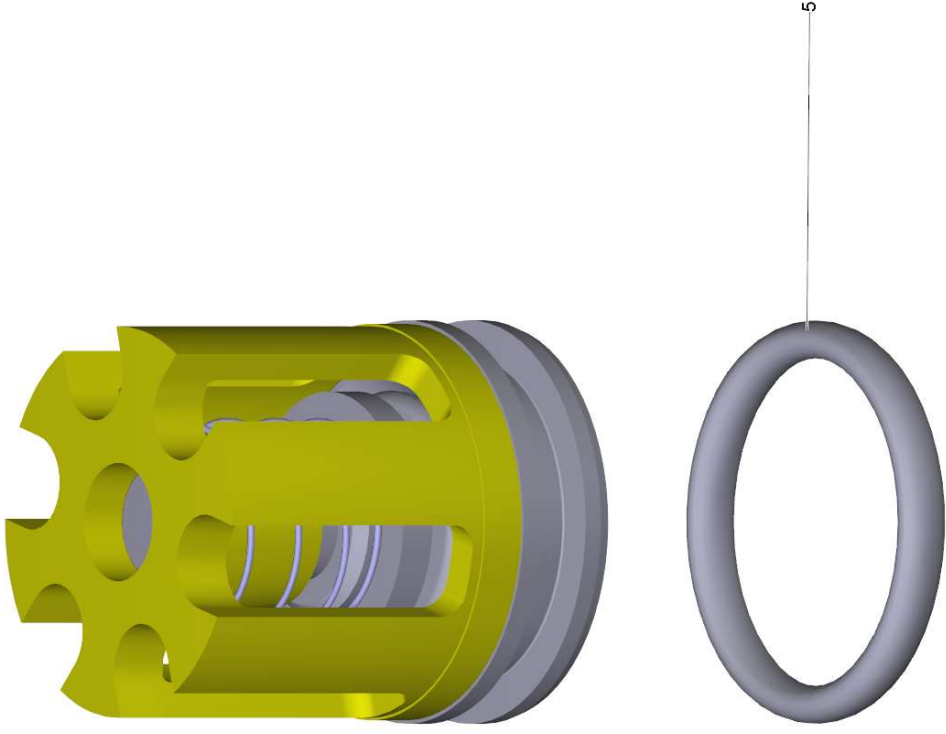
1 Valve (3 Stueck) (2.884-512.0)

POS	Article no.	Description	Quantity	Unit
5	6.363-003.0	O-Ring seal 13,0 X 2,0-NBR 90	1	PC



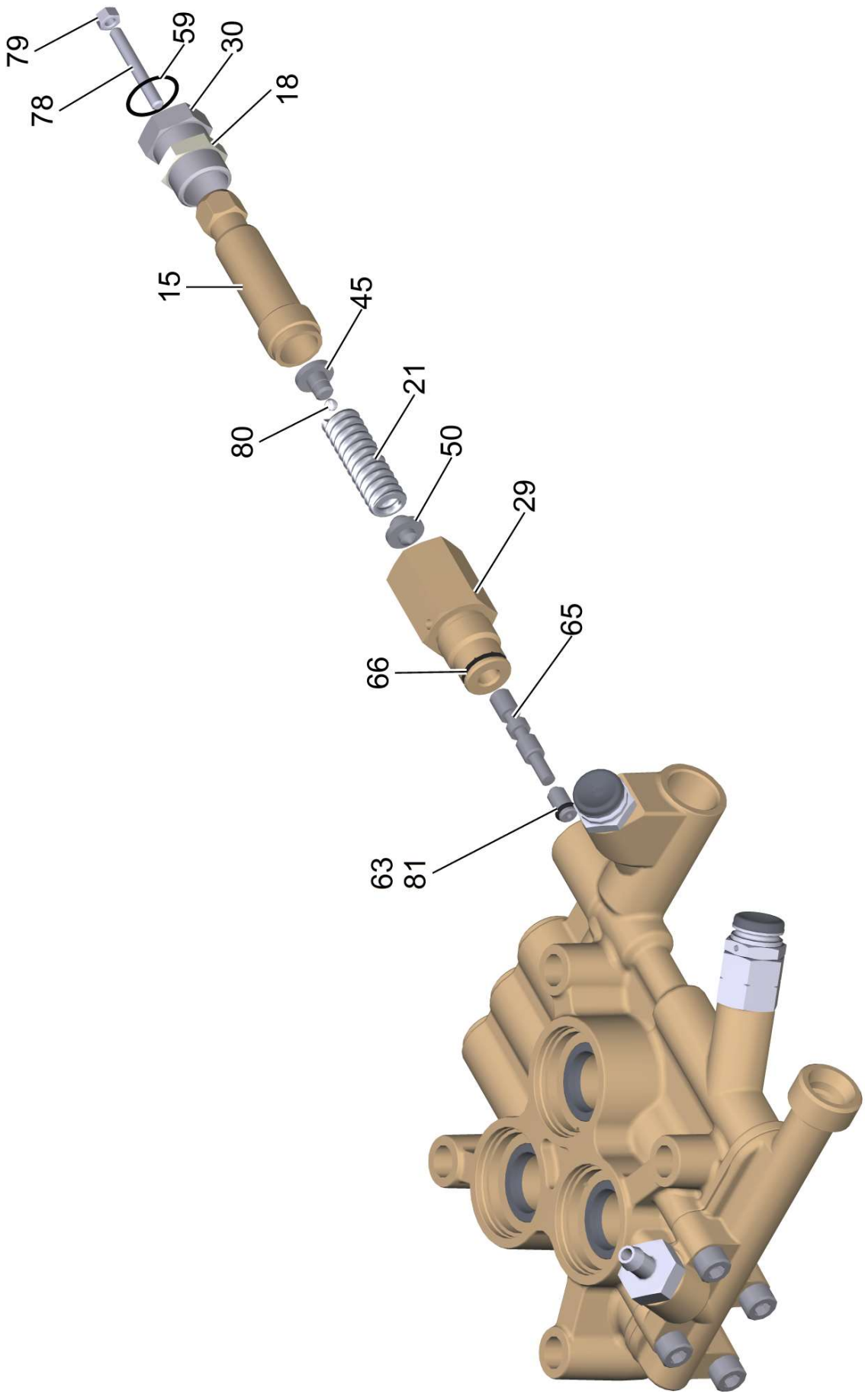
2 Valve complete (4.580-581.3)

POS	Article no.	Description	Quantity	Unit
6	6.362-427.0	O-Ring seal 15,0x2,0	1	PC



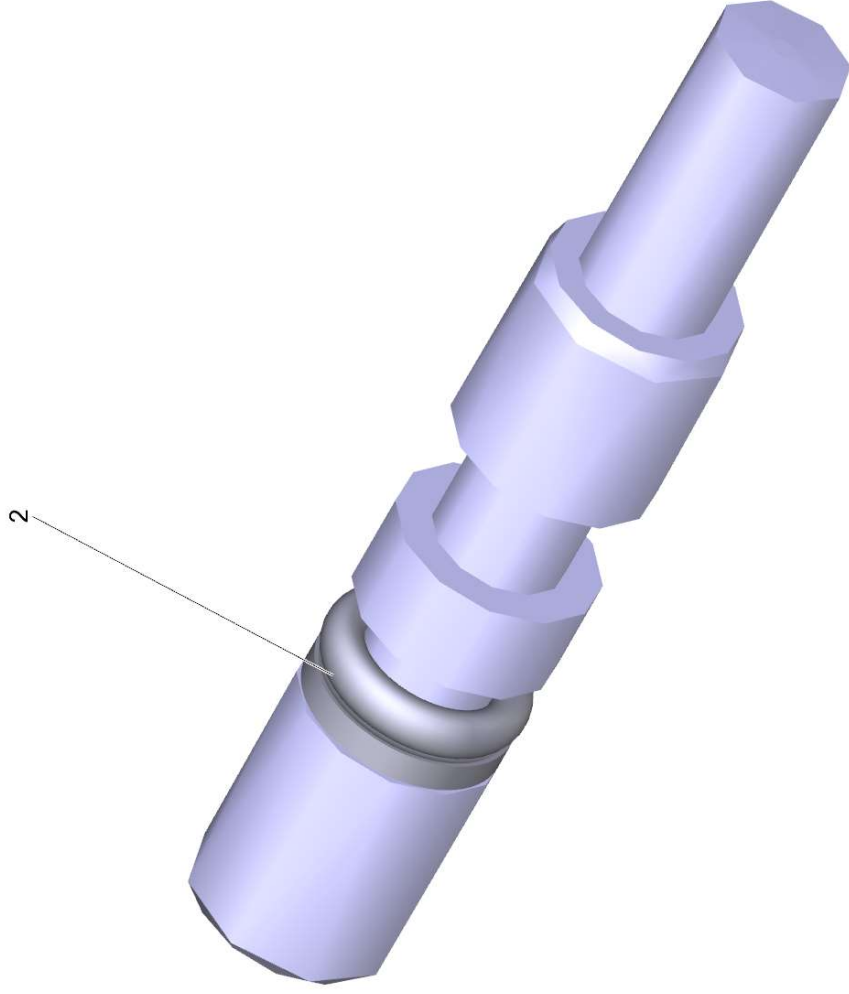
3 Valve complete (4.580-594.0)

POS	Article no.	Description	Quantity	Unit
5	6.362-381.0	O-Ring seal 13x2 - NBR 70	1	PC



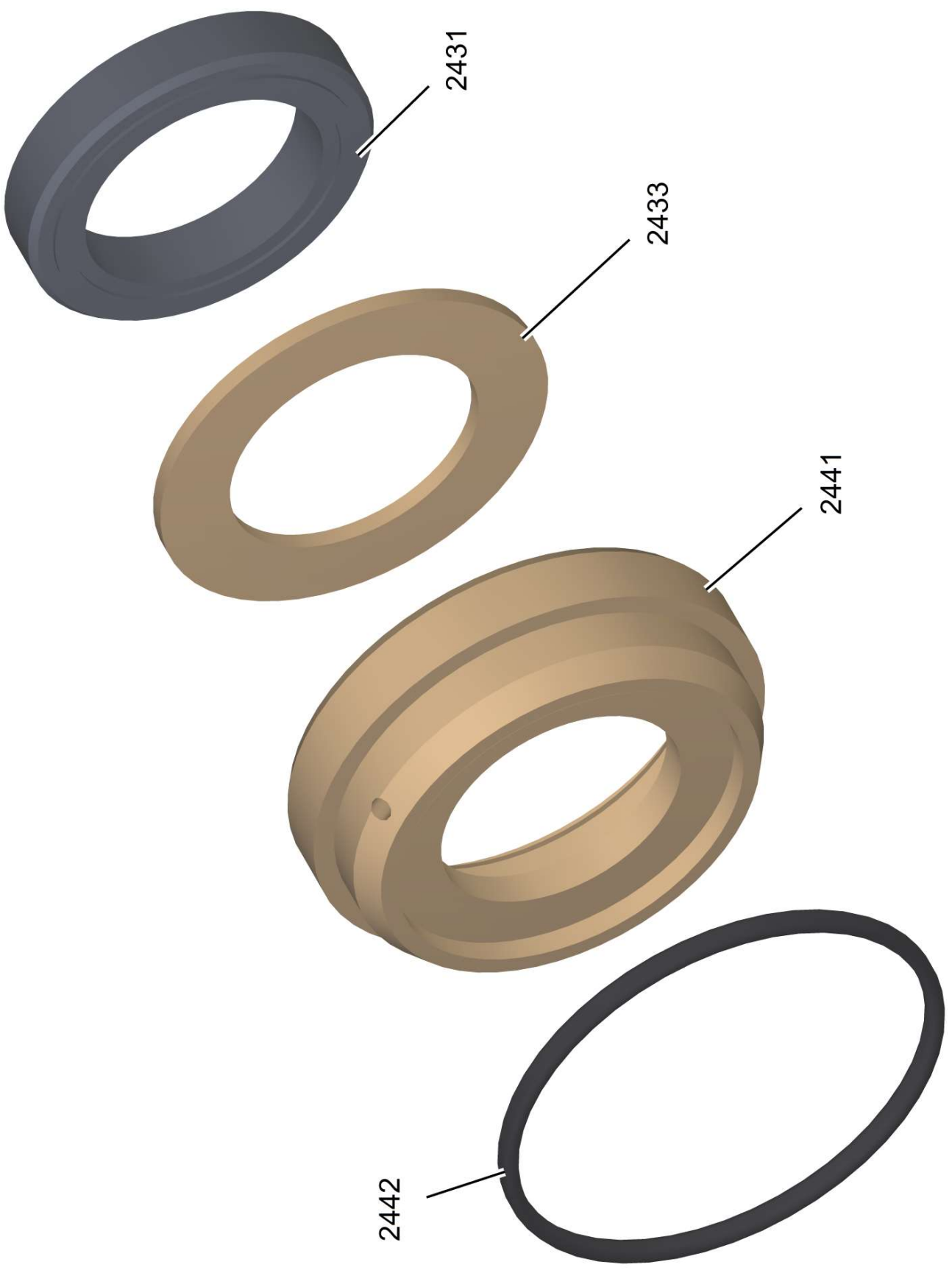
102 Excess-current complete (2.885-895.3)

POS	Article no.	Description	Quantity	Unit
29	5.402-746.0	Connection piece	1	PC
21	5.332-444.0	Helical spring	1	PC
15	5.304-070.0	Hexagonal head screw	1	PC
79	7.311-002.0	Hexagon nut M5 -6-A2E ISO 4032	1	PC
18	5.311-204.0	Hexagon nut M22x1,5	1	PC
30	5.404-082.0	Hollow screw	1	PC
63	6.362-386.0	O-Ring seal 5,0 x 1,5-NBR 80	1	PC
66	6.362-427.0	O-Ring seal 15,0x2,0	1	PC
59	6.362-079.0	O-Ring seal 18,0 X 2,5	1	PC
65	4.553-287.0	Piston complete	1	PC
80	7.401-931.0	Sphere 5 Kl3 -1.4401 DIN 5401	1	PC
78	7.307-017.0	Threaded pin M5x40-St-45H-A2E ISO 4026	1	PC
45	5.582-121.0	Valve disc	1	PC
50	5.584-114.0	Valve pin	1	PC
81	5.581-239.0	Valve seat	1	PC



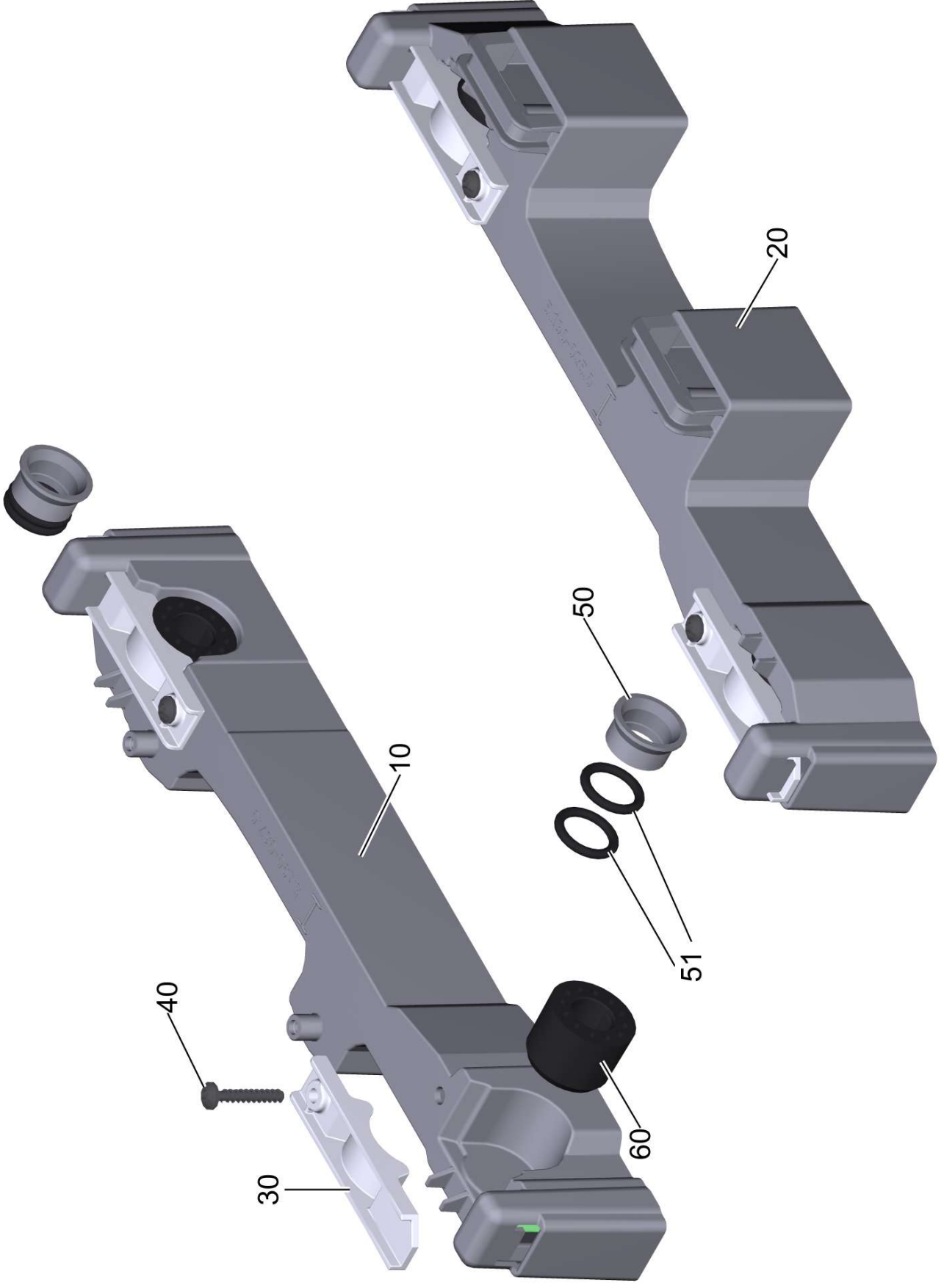
65 Piston complete (4.553-287.0)

POS	Article no.	Description	Quantity	Unit
2	6.362-468.0	O-Ring seal complete 1ST.-R.	1	PC



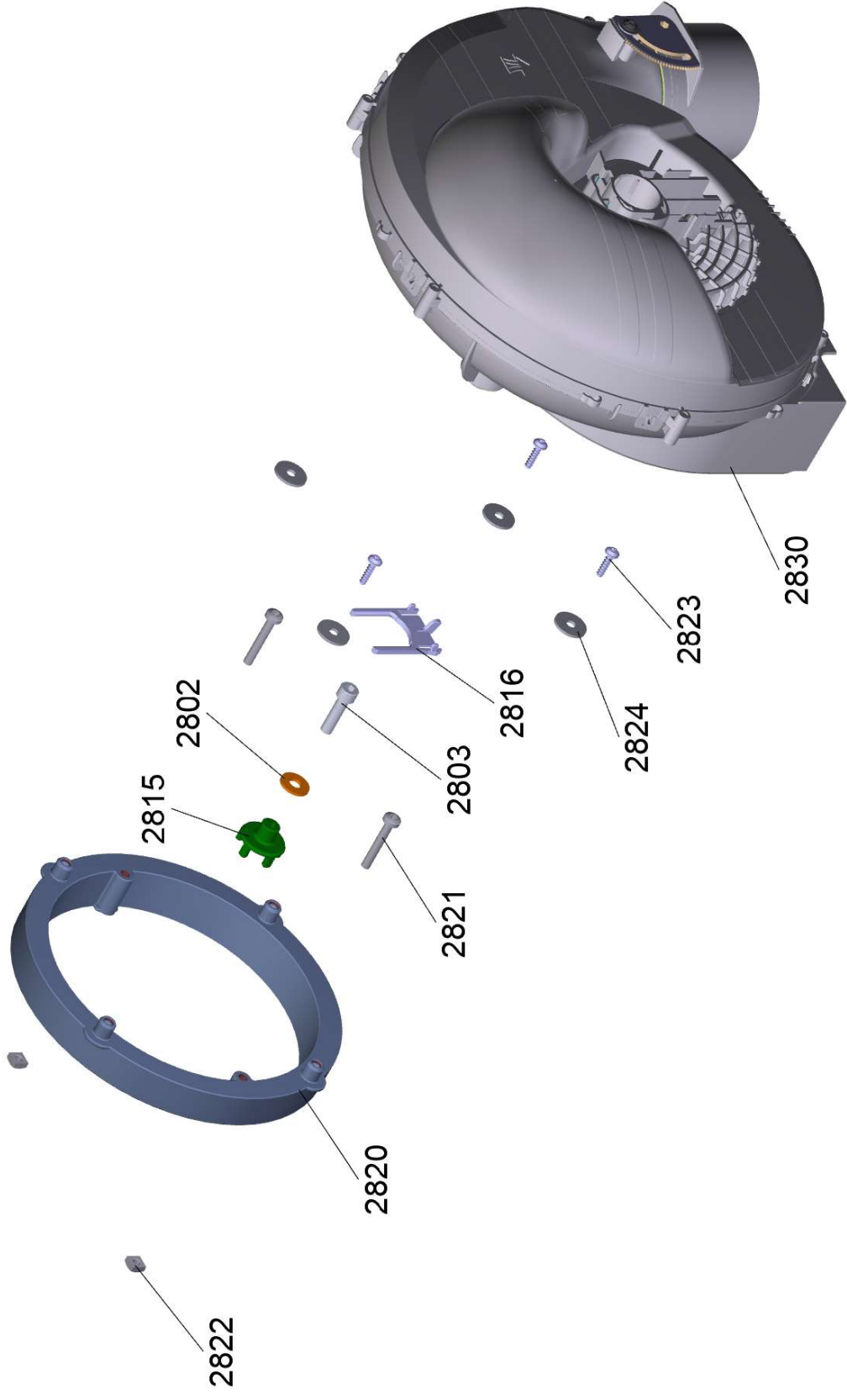
2035 Bush low-pressure cpl. D20

POS	Article no.	Description	Quantity	Unit
2441	5.112-832.0	Bush	1	PC
2431	6.365-053.0	Compact seal 20X30X6	1	PC
2442	6.362-092.0	O-Ring seal 36,0 X 2,0-NBR 70	1	PC
2433	5.115-537.0	Washer	1	PC



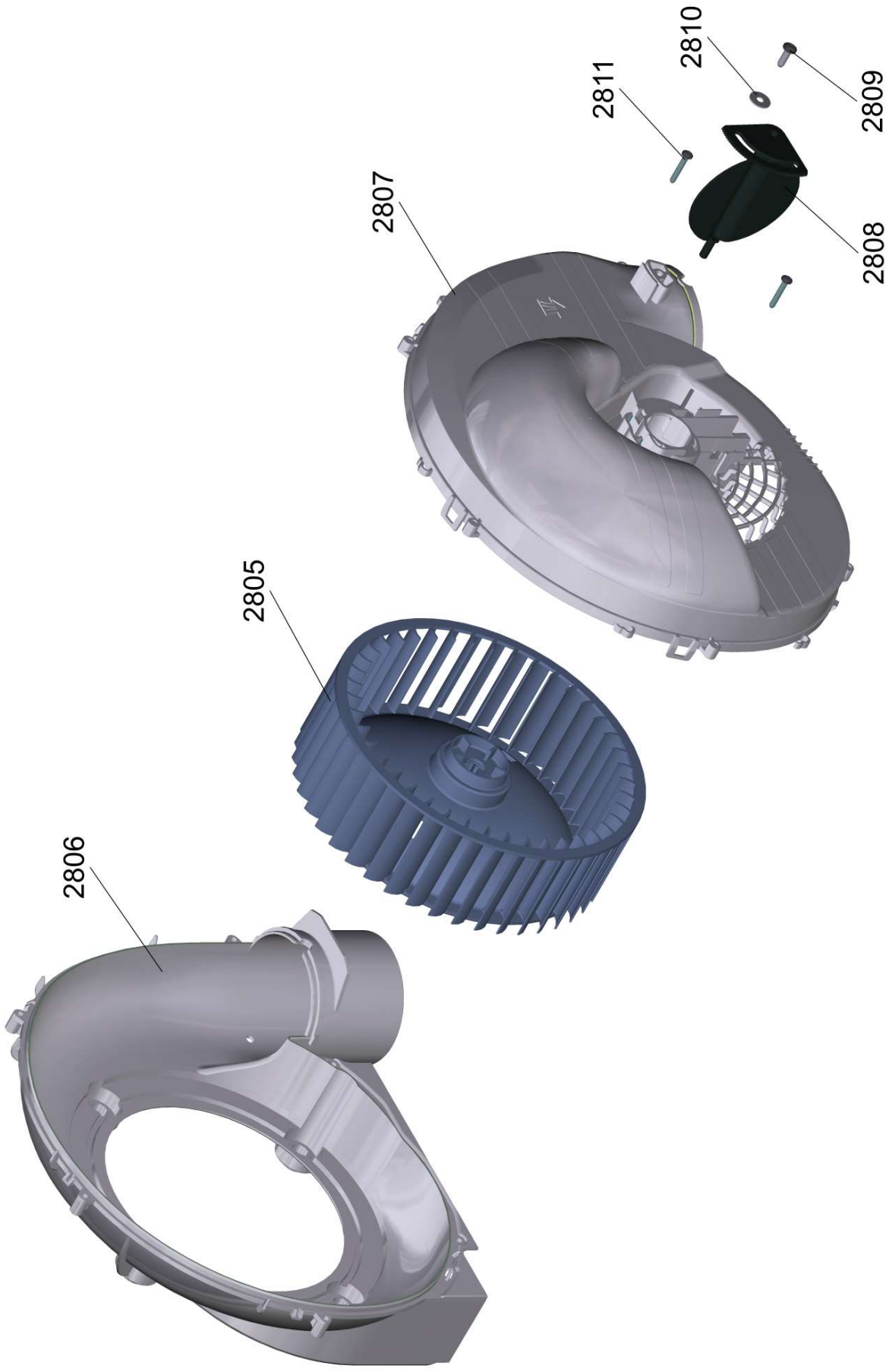
501 Pump assembly assembly group HDS-M/S Next

POS	Article no.	Description	Quantity	Unit
30	5.802-288.0	Mounting part	4	PC
51	6.362-579.0	O-Ring seal 17,5 X 3,5	4	PC
60	5.767-005.0	Rubber buffer	4	PC
40	7.303-086.0	Screw 5x30-10.9-R2R (K-In6Rd)	4	PC
50	5.110-341.0	Sleeve	2	PC
20	5.190-025.0	Strip front pump	1	PC
10	5.190-037.0	Strip rear pump	1	PC



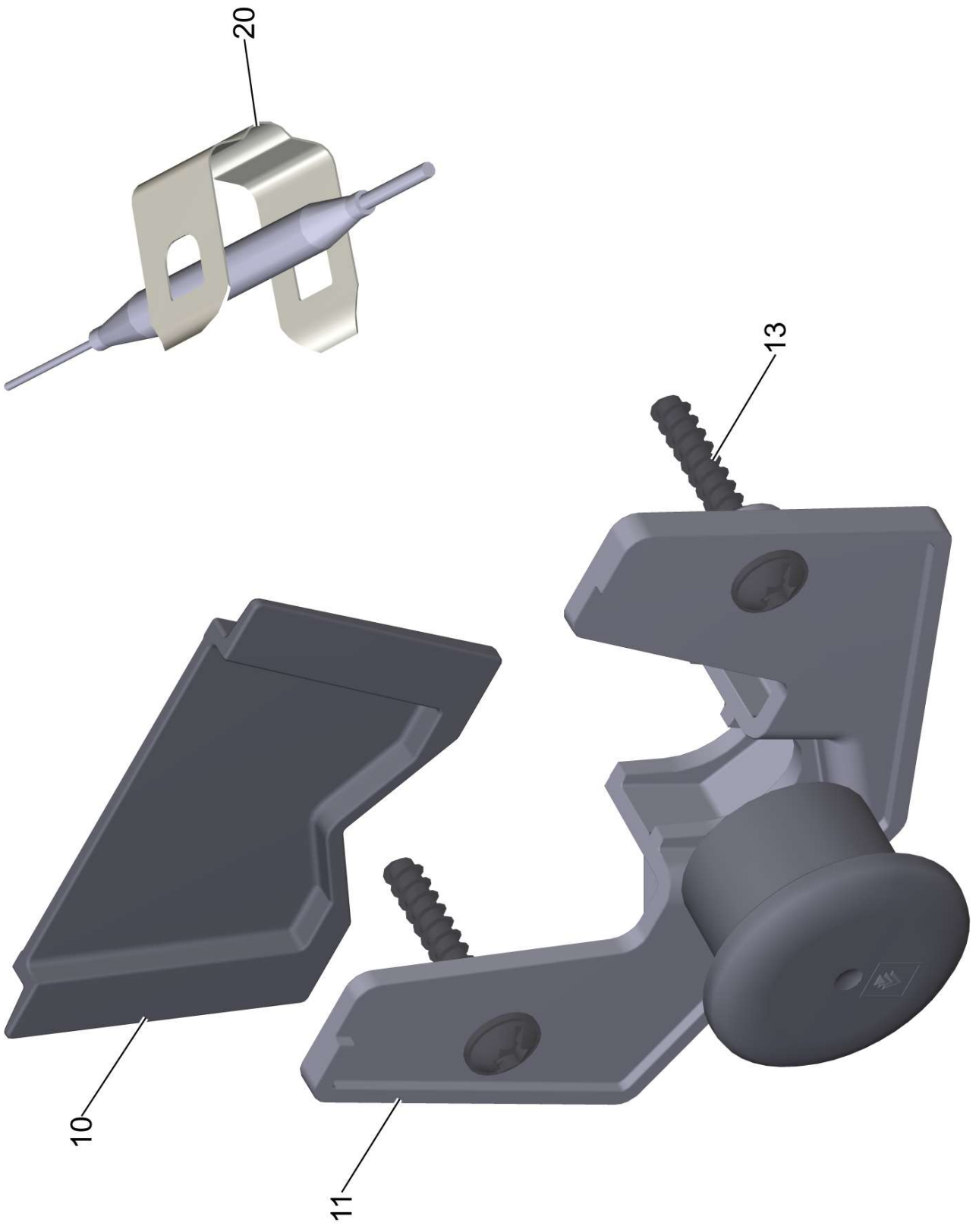
510 Blower kit G2-A

POS	Article no.	Description	Quantity	Unit
2820	5.064-584.0	Adapter ring blower	1	PC
2830		Blower base G2	1	PC
2816	5.263-099.0	Clamp	1	PC
2815	5.471-097.0	Coupler fuel pump	1	PC
2823	6.303-510.0	Screw 5x20	4	PC
2821	7.306-129.0	Screw M6x40 -8.8-P2R (In6Rd)	2	PC
2803	6.306-008.0	Screw M8x30 - 8.8 ISO 4762 - Precote	1	PC
2822	7.311-571.0	Square nut M6 -05-A2E DIN 557	2	PC
2824	7.312-260.0	Washer 6-100HV-A3E ISO 7094	4	PC
2802	6.997-241.0	Washer 8.4X20X2	1	PC



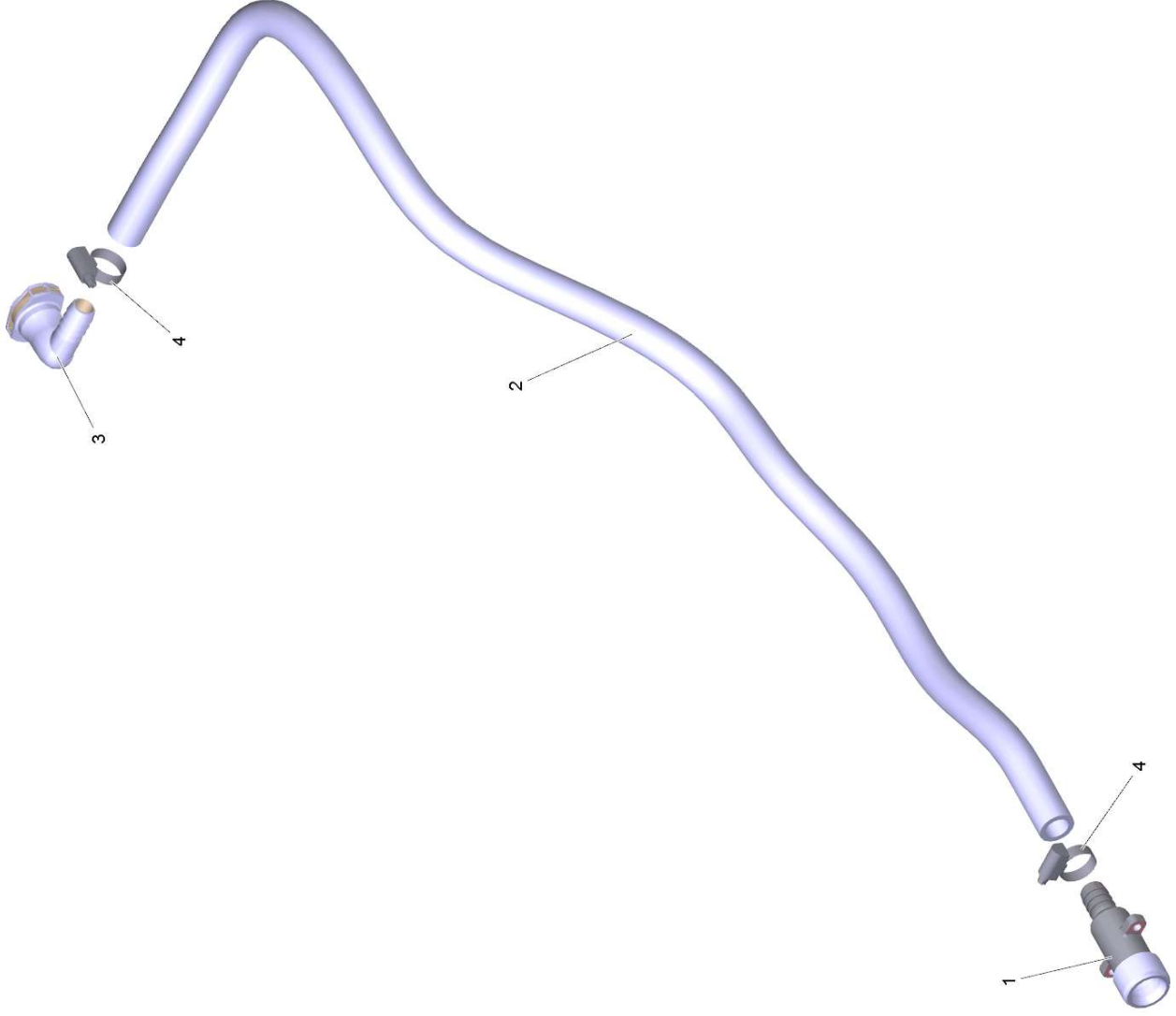
2830 Blower base G2

POS	Article no.	Description	Quantity	Unit
2808	5.606-009.0	Air flap	1	PC
2805	5.600-089.3	Blower wheel G2	1	PC
2807	5.064-603.3	Cover plate blower G2	1	PC
2806	5.605-446.3	Housing blower G2/G3	1	PC
2811	7.303-084.0	Screw 4x25-10.9-R2R (K-In6Rd)	2	PC
2809	7.303-107.0	Screw 5x16-10.9-P2R (K-In6Rd)	1	PC
2810	7.312-278.0	Washer 5-200HV-A2E ISO7093-1	1	PC



601 High-pressure outlet assembly group HDS-M/S Next

POS	Article no.	Description	Quantity	Unit
13	7.303-086.0	Screw 5x30-10.9-R2R (K-In6Rd)	2	PC
10	5.263-088.0	Tensioning part	1	PC
11	5.263-087.0	Tensioning part	1	PC
20	5.263-064.0	Tensioning part	1	PC

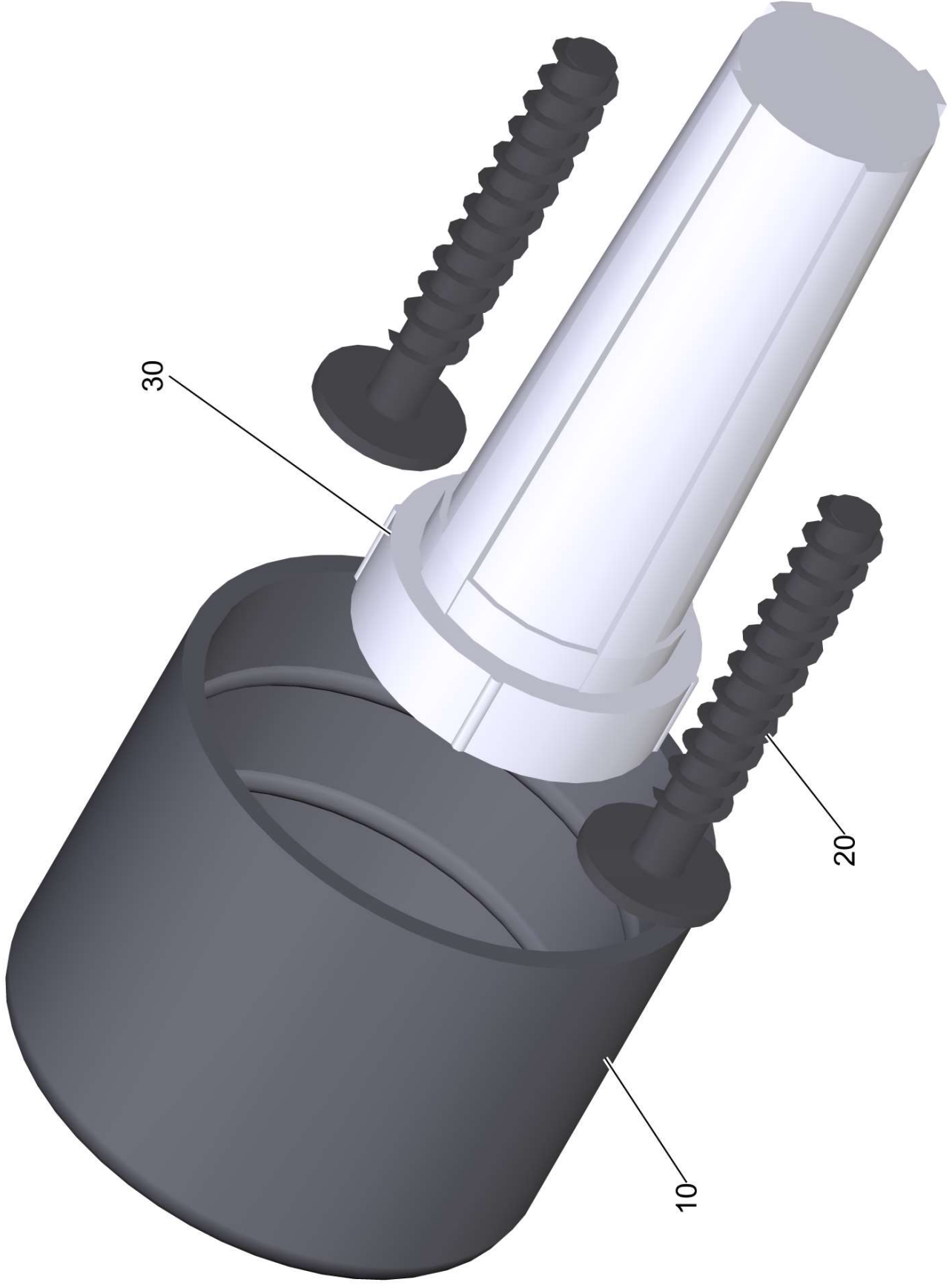


700 Hose water connection 2-Rad (4.440-792.0)

POS	Article no.	Description	Quantity	Unit
4	7.373-022.0	Hose clip A-16-27x9 -W2-2 DIN3017	2	PC
1	5.427-432.0	Manifold	1	PC
3	5.427-415.0	Manifold	1	PC
2		Piece of tube	1	PC

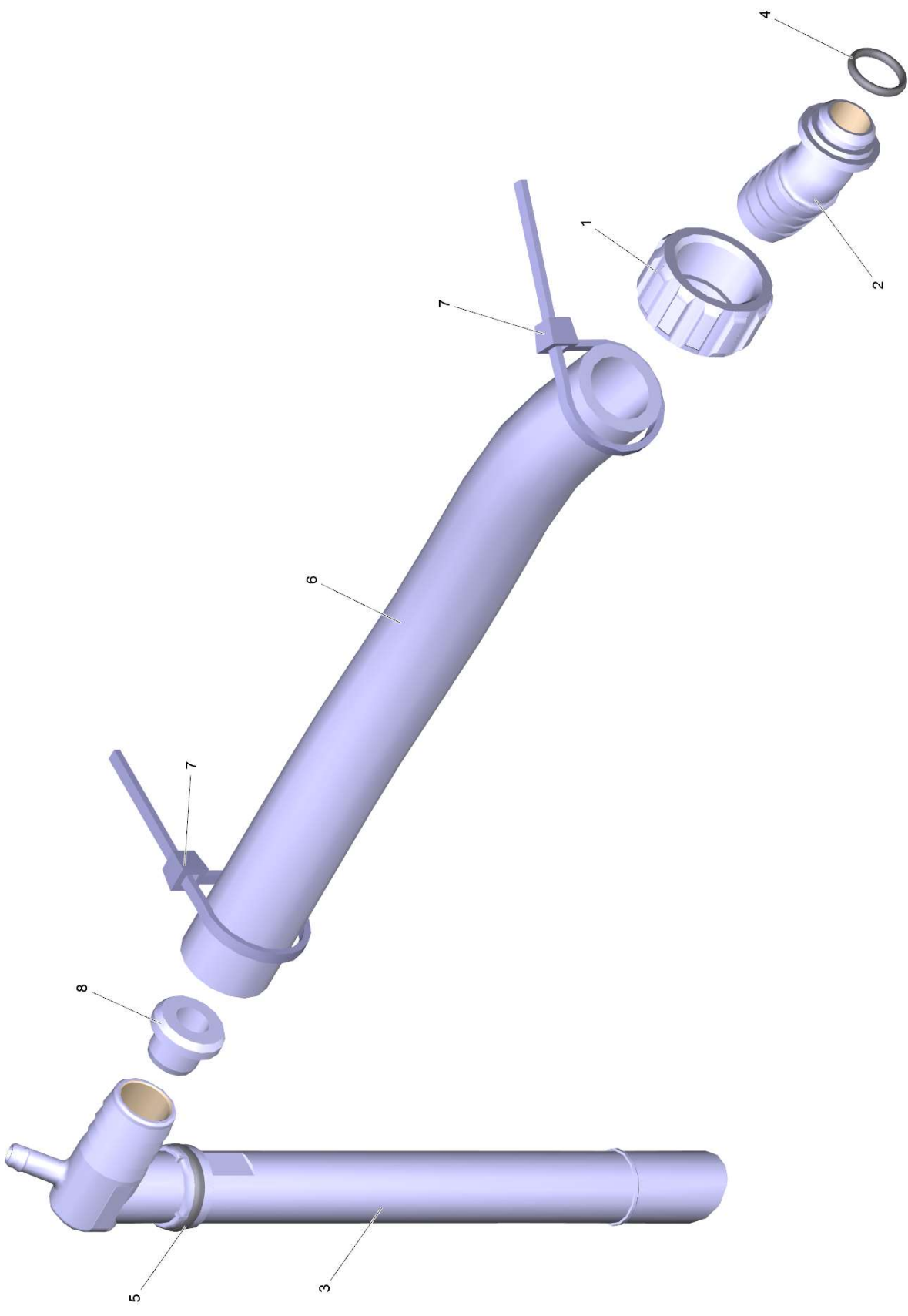
2 Piece of tube

POS	Article no.	Description	Quantity	Unit
1	6.388-719.0	Hose DN17	1,07	m



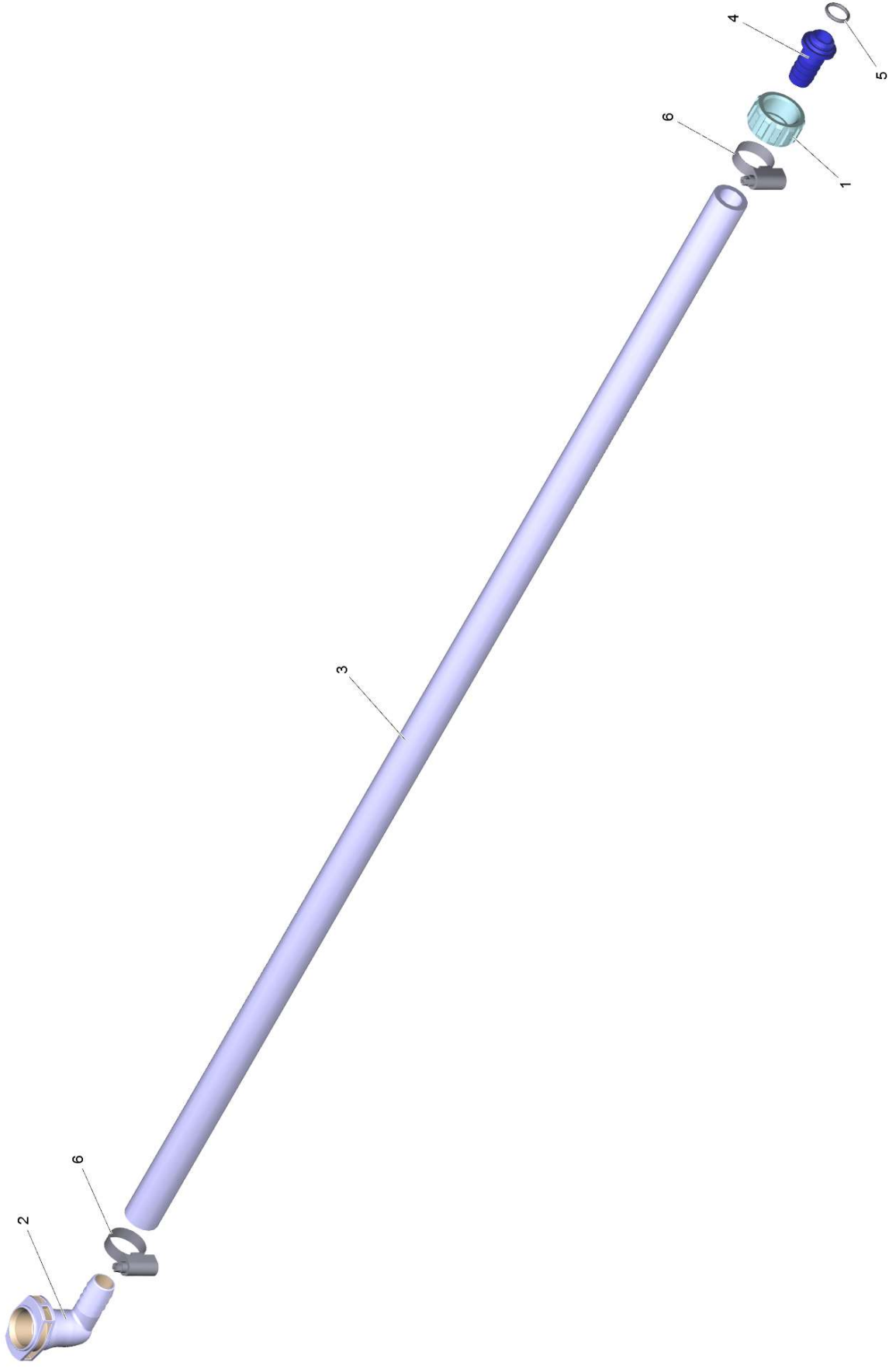
701 Intake assembly assembly group HDS-M/S Next

POS	Article no.	Description	Quantity	Unit
10	6.368-080.0	Protecting cap	1	PC
20	7.303-086.0	Screw 5x30-10.9-R2R (K-In6Rd)	2	PC
30	6.414-141.0	Strainer	1	PC



702 Hose float

POS	Article no.	Description	Quantity	Unit
8	5.112-193.0	Bush	1	PC
7	6.641-474.0	Cable tape 8-210	2	PC
3	5.443-553.0	Connection piece	1	PC
2	5.443-365.0	HOSE STEM (HDS555C)	1	PC
1	5.310-167.0	Nut G 3/4"	1	PC
4	6.362-078.0	O-Ring seal 13,3x2,4	1	PC
5	6.362-161.0	O-Ring seal 19,3 X 2,4	1	PC
6	6.392-258.0	Piece of tube 19x4x280	1	PC

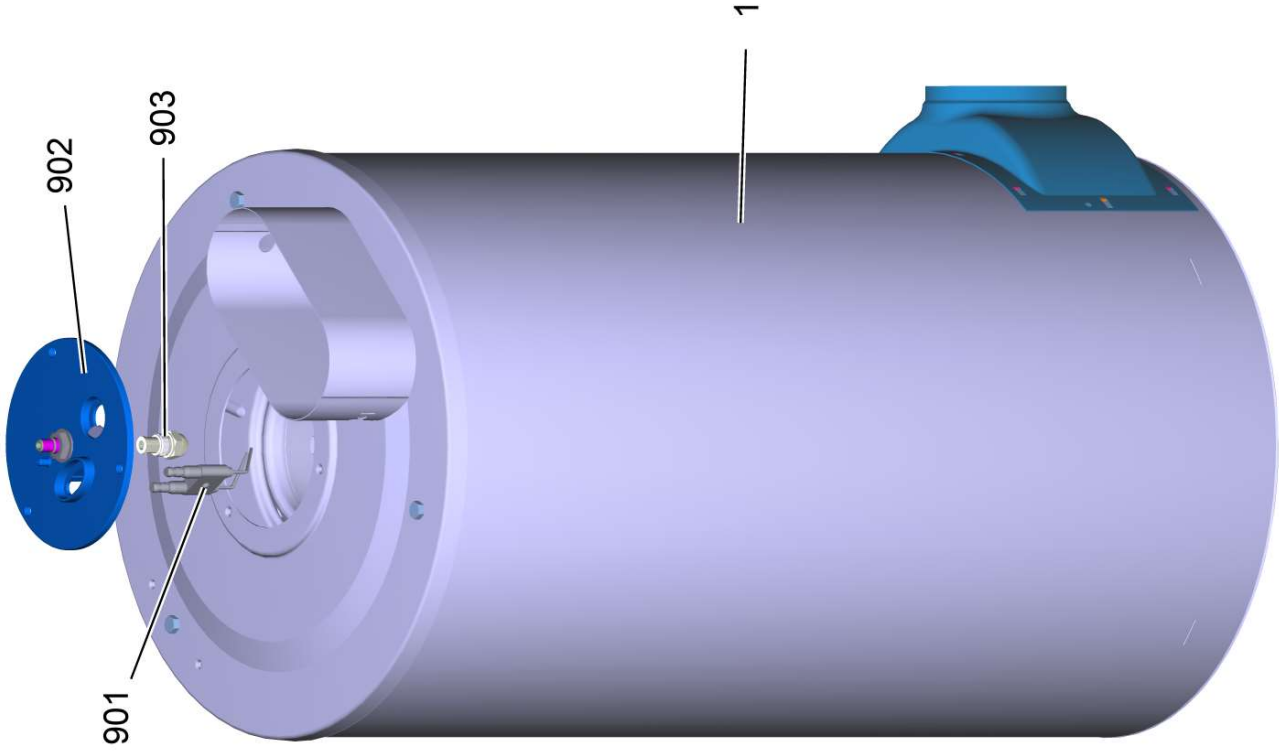


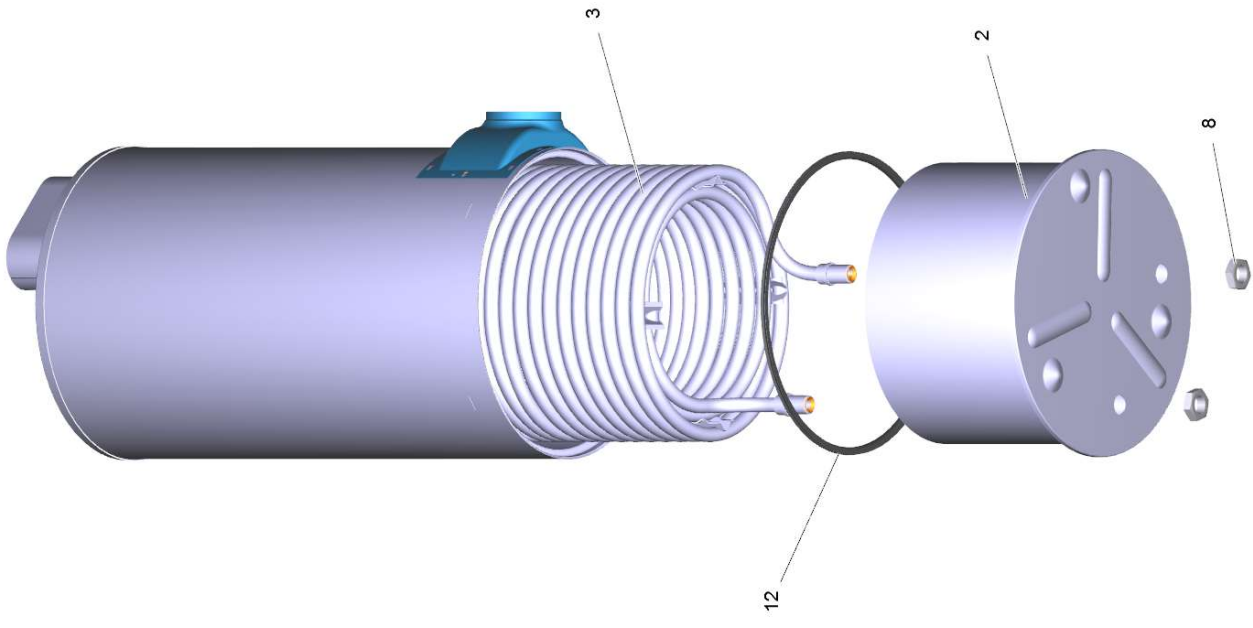
703 Hose float

POS	Article no.	Description	Quantity	Unit
6	7.373-022.0	Hose clip A-16-27x9 -W2-2 DIN3017	2	PC
4	5.443-224.0	Hose stem	1	ZST
2	5.427-415.0	Manifold	1	PC
1	5.310-062.0	Nut	1	PC
5	6.362-078.0	O-Ring seal 13,3x2,4	1	PC
3		Piece of tube	1	PC

3 Piece of tube

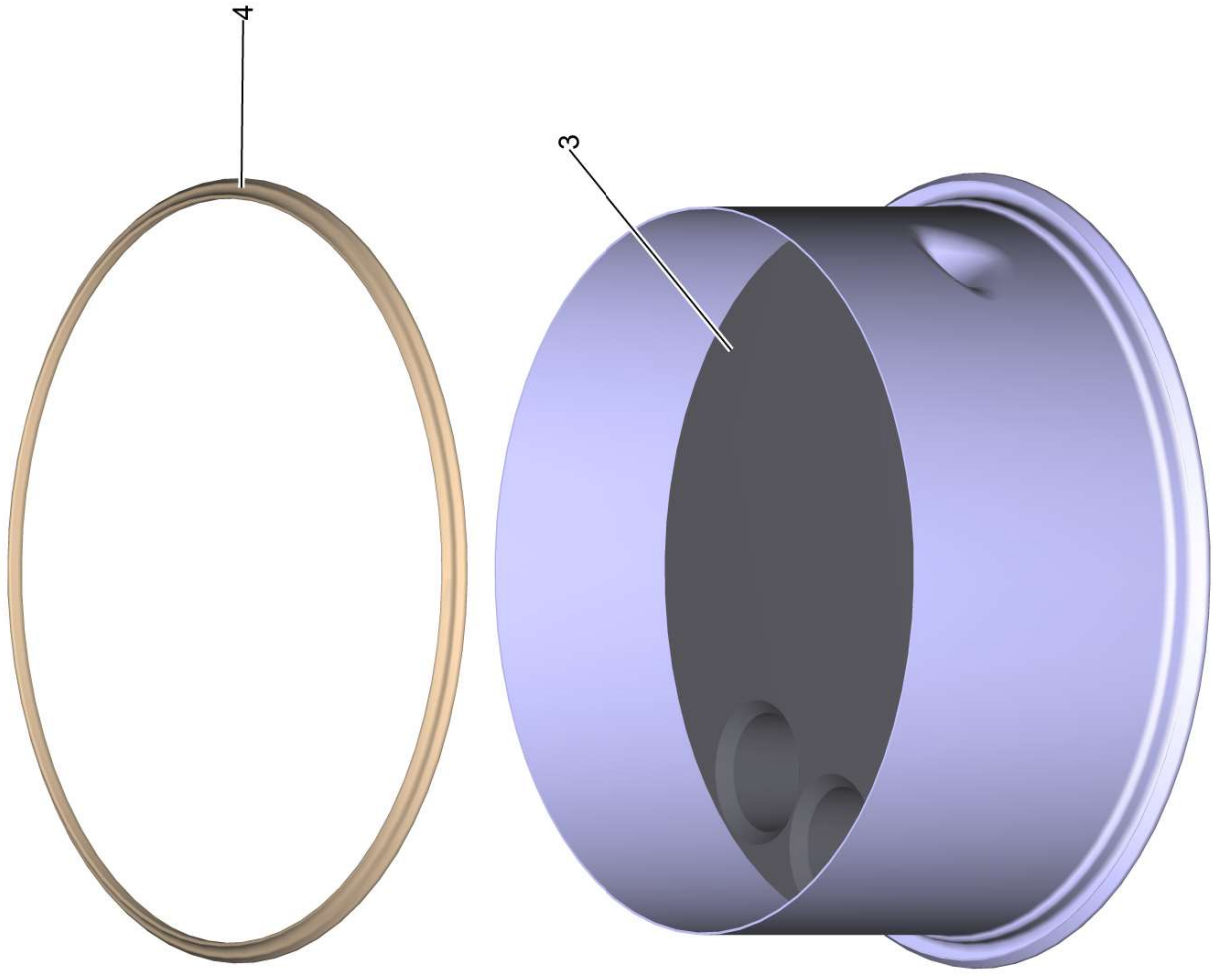
POS	Article no.	Description	Quantity	Unit
1	6.388-719.0	Hose DN17	0,91	m





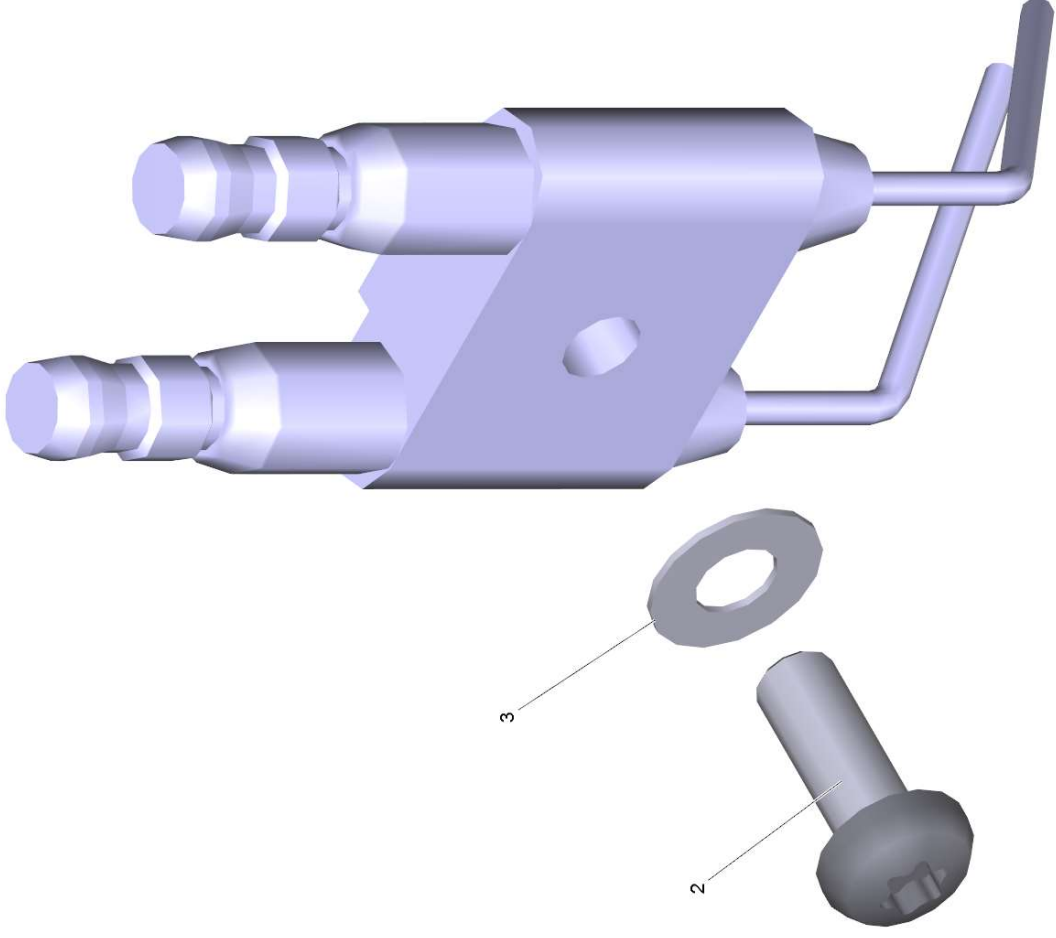
900 Boiler

POS	Article no.	Description	Quantity	Unit	Foot note text
2	4.655-044.0	Bottom pressure boiler	1	PC	
901	2.638-974.0	Conversion kit ignition electrode	1	PC	
902	4.654-288.0	Cover pressure boiler only for replaceme	1	PC	
3	4.680-123.0	Heating coil	1	PC	
	Item text1: replaced by 4.680-123.3				
3	4.680-123.3	Heating coil	1	PC	
	Item text1: successor of 4.680-140.0				
3	4.680-140.0	Heating coil	1	PC	
3	4.680-114.0	Heating coil VA	1	PC	
	Item text1: replaced by 4.680-114.3				
3	4.680-114.3	Heating coil VA	1	PC	STAINLESS STEEL CONSTRUCTION
	Item text1: successor of 4.680-114.0				
8	7.311-112.0	Hexagon nut M22X1,5 -22H-A2E DIN 936	2	PC	
12	6.366-009.0	Seal string	1	PC	
1	4.652-004.0	Vessel mantel complete	1	PC	



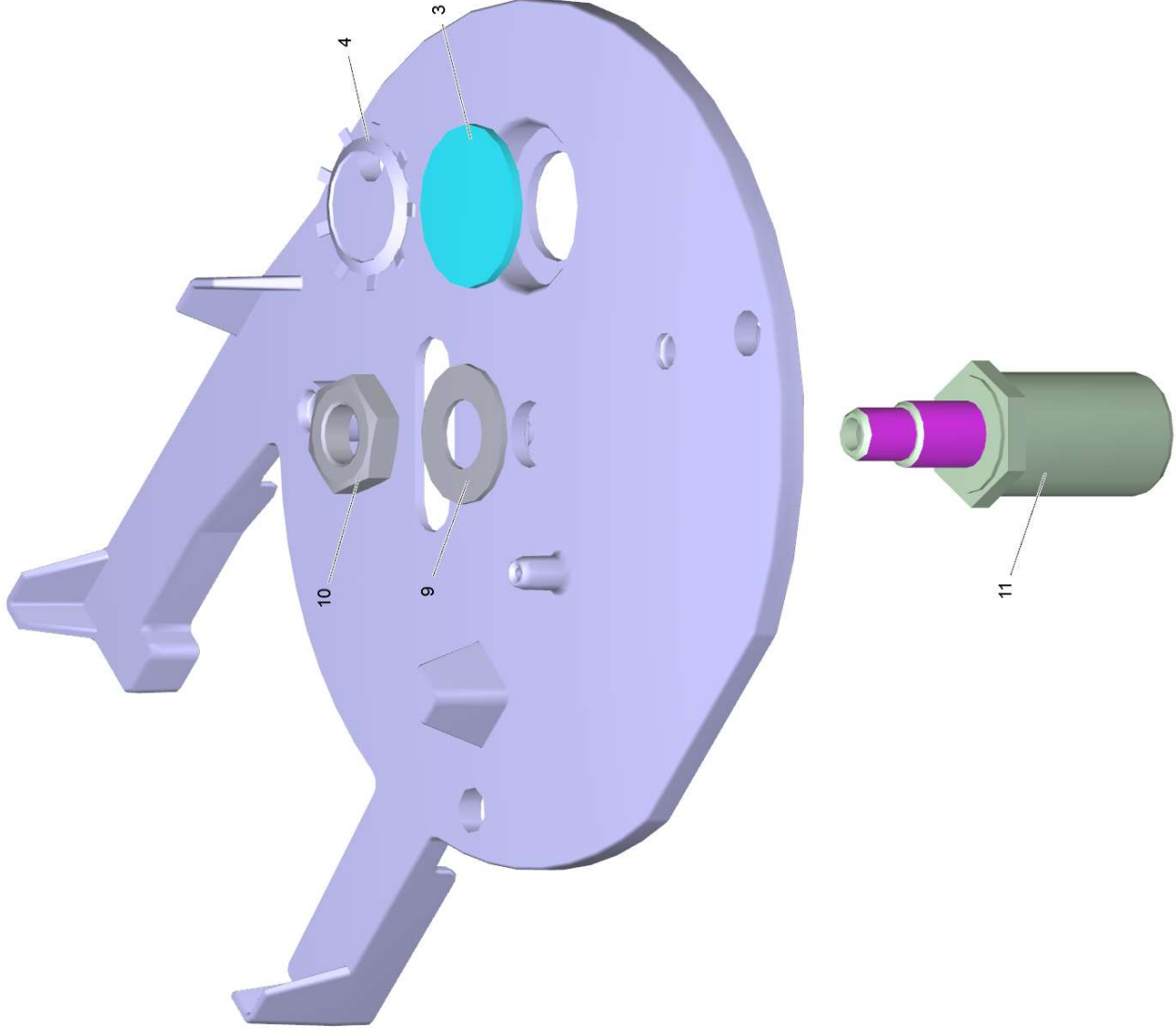
2 Bottom pressure boiler (4.655-044.0)

POS	Article no.	Description	Quantity	Unit
4	6.366-009.0	Seal string	1	PC
3	7.777-999.0	Stockpiling discontinued	1	PC



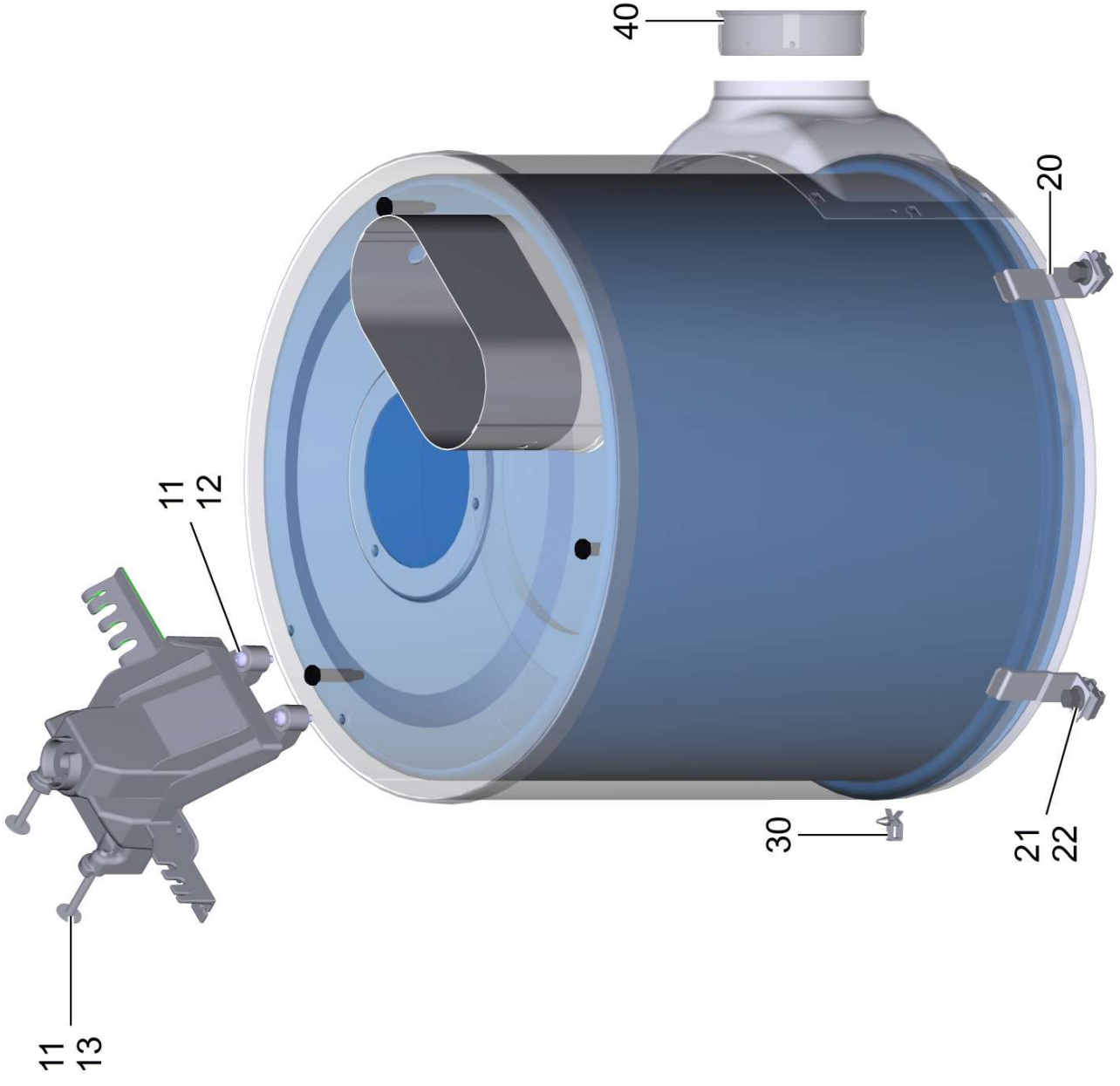
901 Conversion kit ignition electrode (2.638-974.0)

POS	Article no.	Description	Quantity	Unit
2	7.306-326.0	Screw M5x14 -8.8-ZNBHL (In6Rd)	1	PC
3	7.312-304.0	Spring washer B 5-FST-A2E DIN 137	1	PC



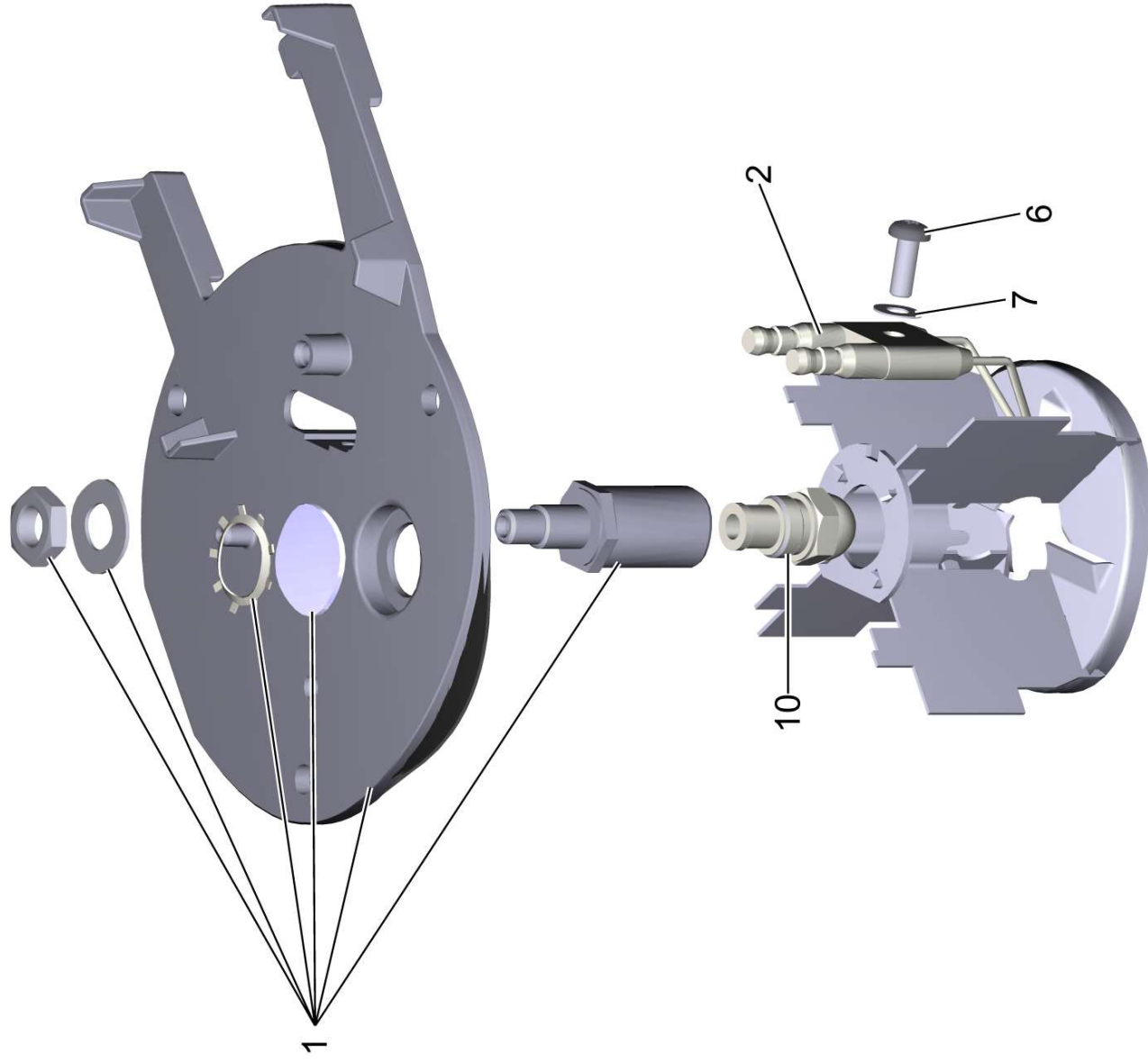
902 Cover pressure boiler only for replaceme (4.654-288.0)

POS	Article no.	Description	Quantity	Unit
3	6.278-018.0	Glass pane	1	PC
10	7.311-101.0	Hexagon nut M10x1 -04-A2E DIN 936	1	PC
11	5.667-055.0	Nozzle holder	1	PC
4	6.343-165.0	Serrated ring	1	PC
9	7.312-302.0	Spring washer B10-FST-A2E DIN 137	1	PC



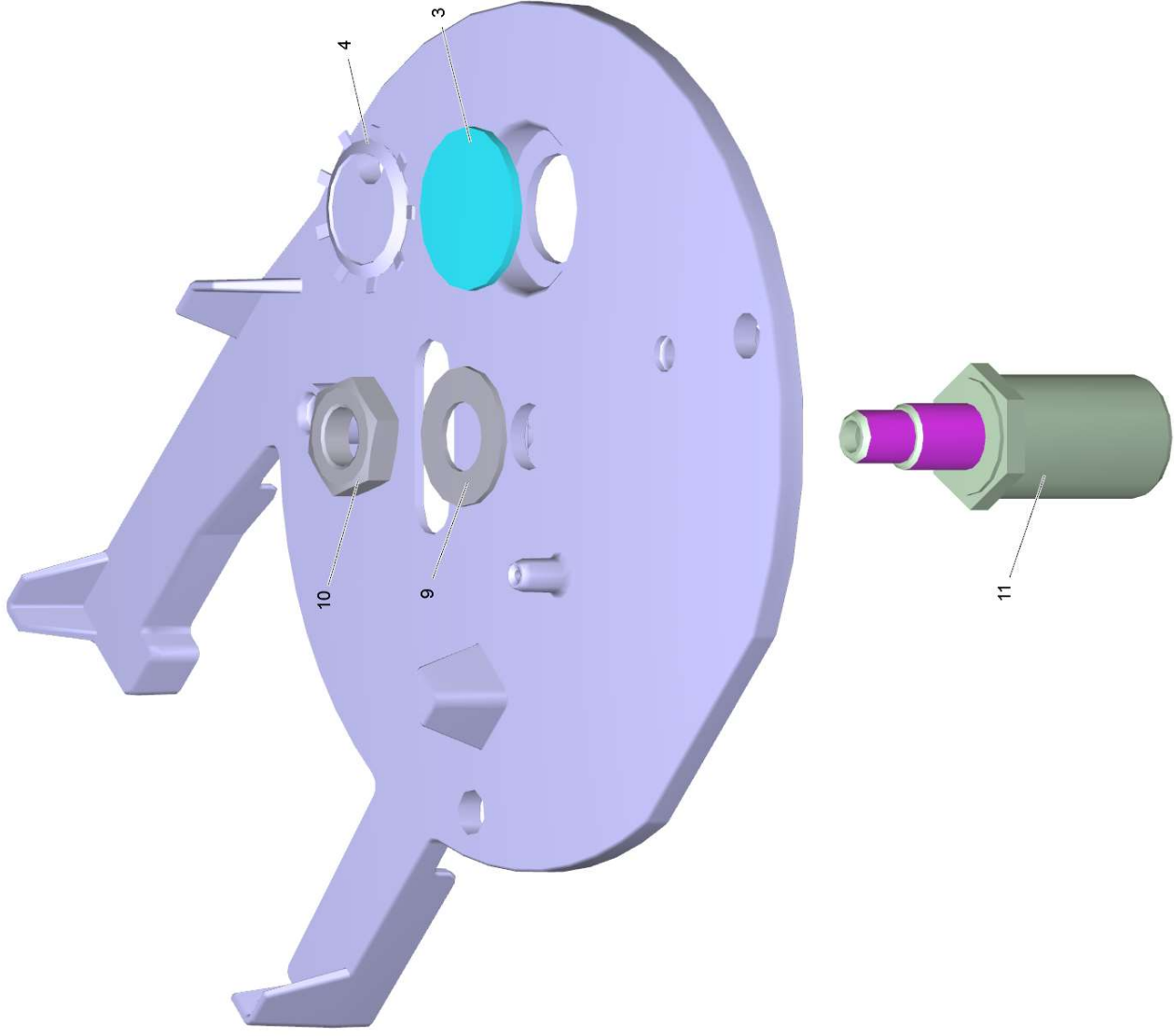
901 Boiler assembly assembly group D313

POS	Article no.	Description	Quantity	Unit
21	6.310-081.0	Cage nut M 8	4	PC
30	6.970-929.0	Clip	1	PC
22	7.304-051.0	Hexagonal head screw M8x16 -8.8-P2R EN 1665	4	PC
20	5.044-420.0	Holder	4	PC
10	5.412-001.0	Holder Kessel ovale Heizschlange	1	PC
13	7.303-111.0	Screw 5x50 -10.9-R2R (K-In6Rd)	2	PC
12	6.303-320.0	Screw M 5x 20-St-R2R	2	PC
40	5.263-094.0	Tensioning part air circulation	1	PC
11	7.312-278.0	Washer 5-200HV-A2E ISO7093-1	4	PC



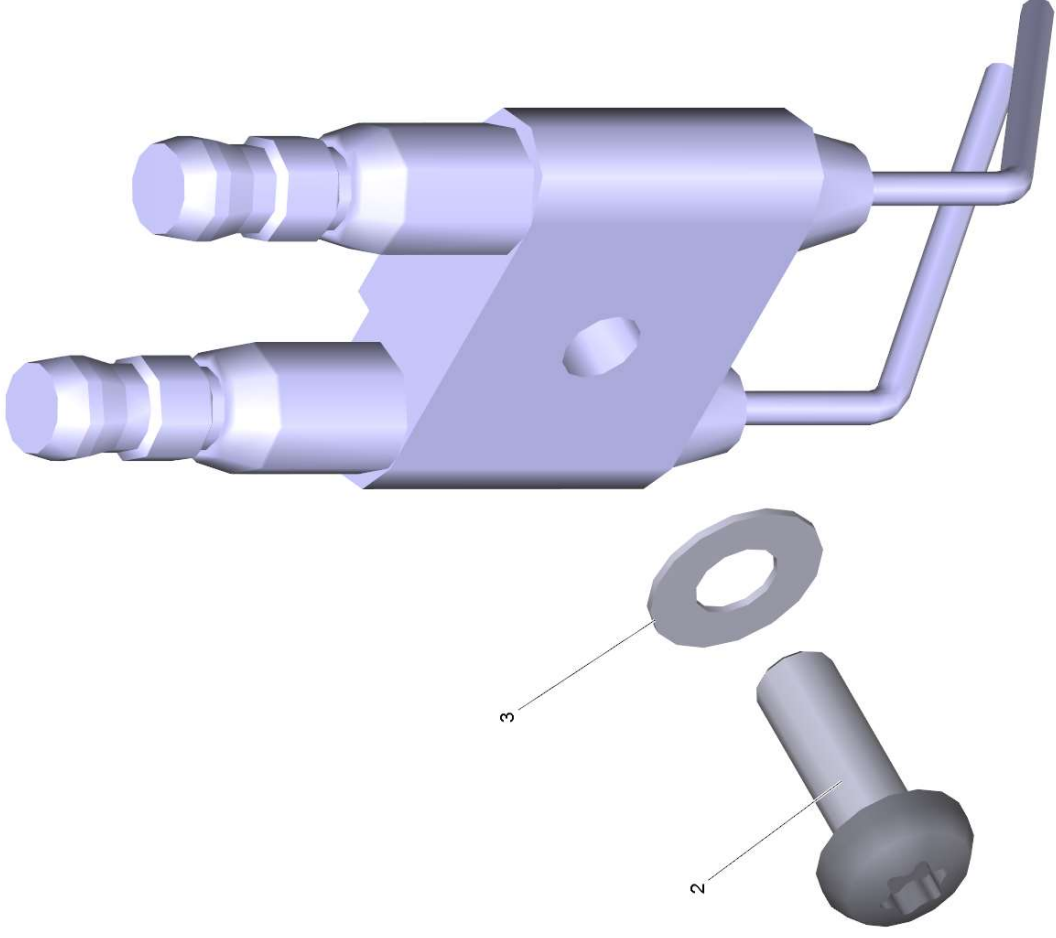
910 Burner complete (4.654-305.0)

POS	Article no.	Description	Quantity	Unit
8	4.663-088.0	Baffle plate complete	1	PC
	Item text2: 46542530			
10	6.415-564.0	Burner nozzle	1	PC
2	2.638-974.0	Conversion kit ignition electrode	1	PC
	Item text2: 46542530			
1	4.654-288.0	Cover pressure boiler only for replaceme	1	PC
	Item text2: 46542530			
6	7.306-326.0	Screw M5x14 -8.8-ZNBHL (In6Rd)	1	PC
	Item text2: 46542530			
7	7.312-304.0	Spring washer B 5-FST-A2E DIN 137	1	PC
	Item text2: 46542530			



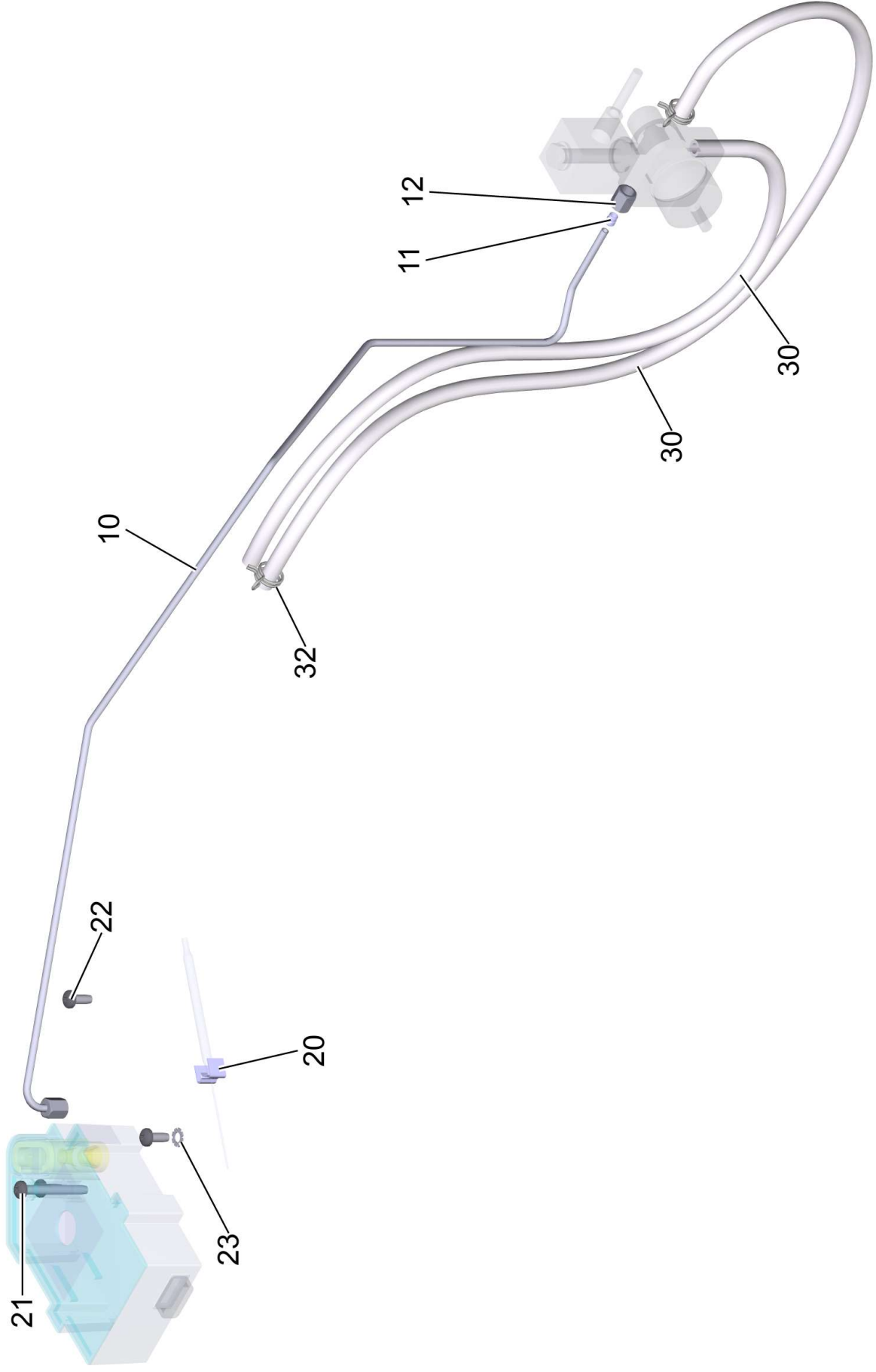
1 Cover pressure boiler only for replaceme (4.654-288.0)

POS	Article no.	Description	Quantity	Unit
3	6.278-018.0	Glass pane	1	PC
10	7.311-101.0	Hexagon nut M10x1 -04-A2E DIN 936	1	PC
11	5.667-055.0	Nozzle holder	1	PC
4	6.343-165.0	Serrated ring	1	PC
9	7.312-302.0	Spring washer B10-FST-A2E DIN 137	1	PC



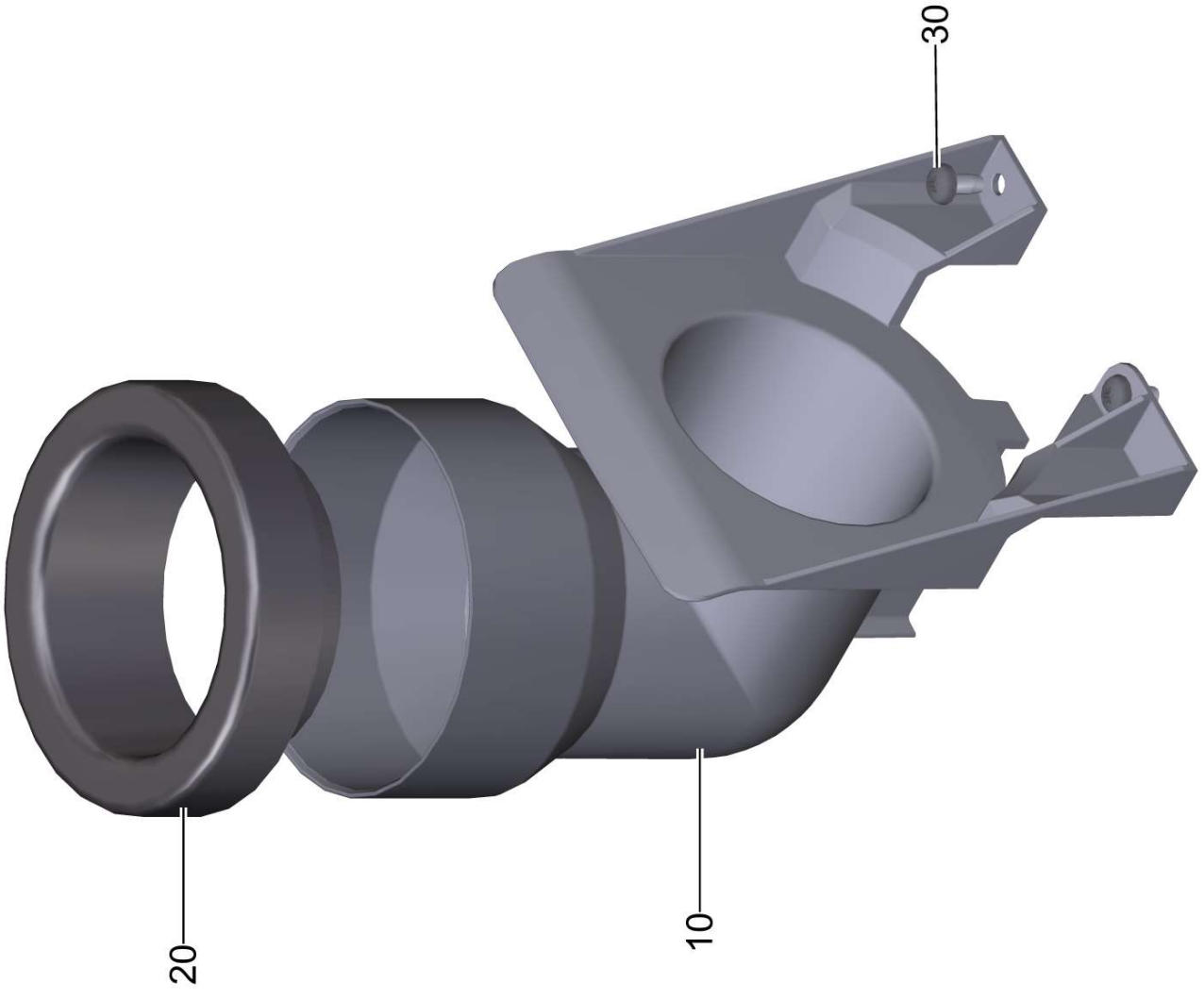
2 Conversion kit ignition electrode (2.638-974.0)

POS	Article no.	Description	Quantity	Unit
2	7.306-326.0	Screw M5x14 -8.8-ZNBHL (In6Rd)	1	PC
3	7.312-304.0	Spring washer B 5-FST-A2E DIN 137	1	PC



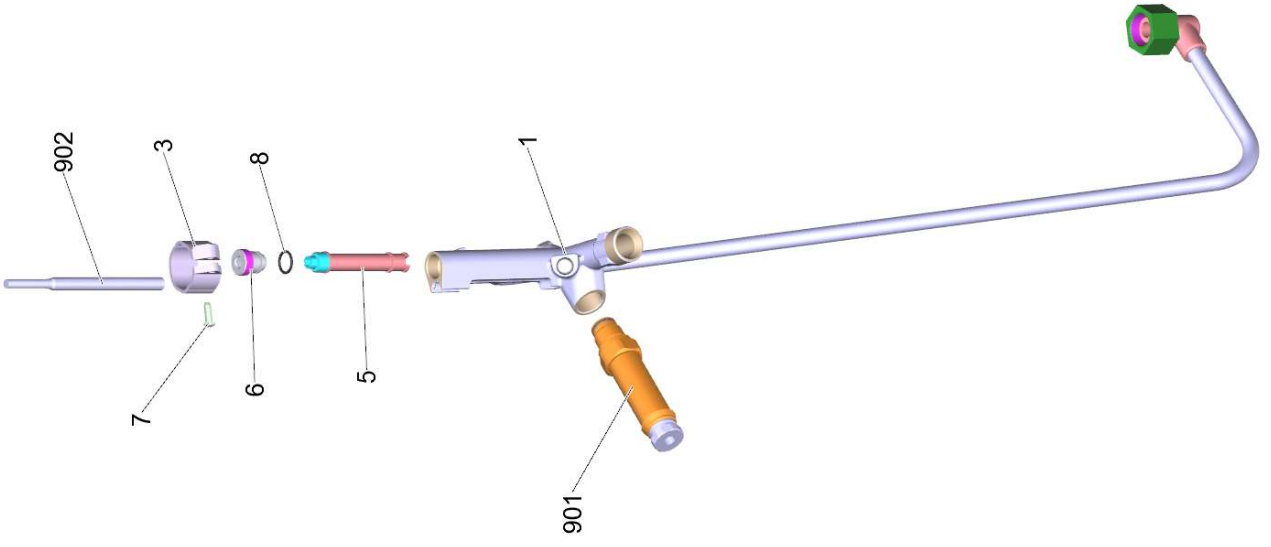
920 Fuel pump ignition transformer assembly (4.473-051.3)

POS	Article no.	Description	Quantity	Unit
10	5.026-152.3	Conduit fuel HDS Next D313	1	PC
11	6.389-263.0	Cutting ring d.4	2	PC
20	5.034-834.0	Holder probe	1	PC
30	6.391-820.0	Hose	1,1	m
32	6.388-559.0	Hose clip	2	PC
22	6.303-192.0	Screw M5x12 TX TAPITTE2000	3	PC
21	7.303-240.0	Screw M5x40-ST-A2E (IN6RD)	1	PC
23	7.312-172.0	Toothed lock washer A5,3-FSt-A3E DIN 6797	1	PC
12	6.389-262.0	Union nut A 4-LL	2	PC



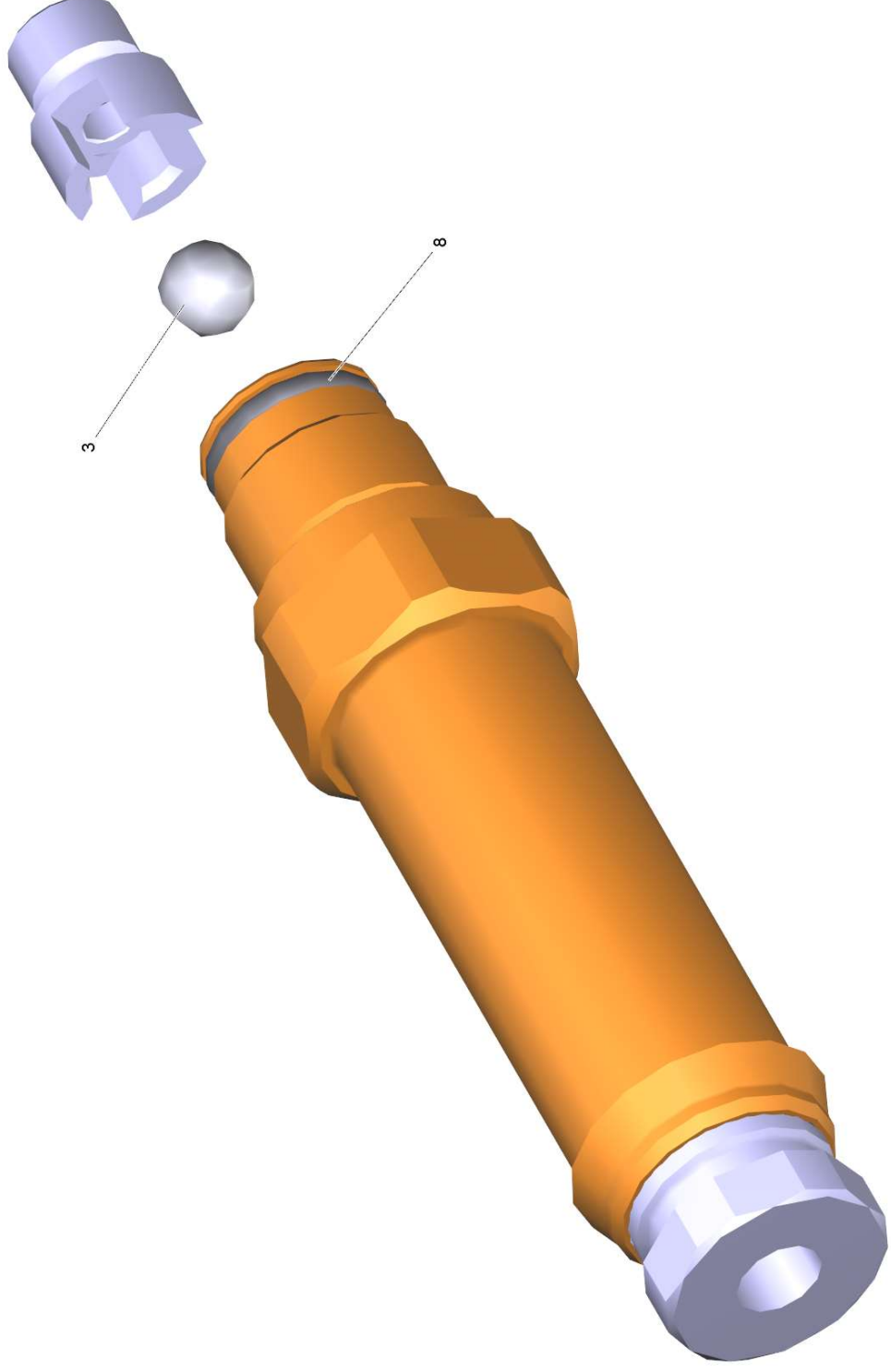
940 Air circulation assembly assembly group HDS-Next

POS	Article no.	Description	Quantity	Unit
10	5.178-009.0	Air circulation elbow HDS Next	1	PC
20	5.178-040.0	Collar air circulation	1	PC
30	7.303-046.0	Screw M6x12 -St-R3R (In6Rd)	2	PC



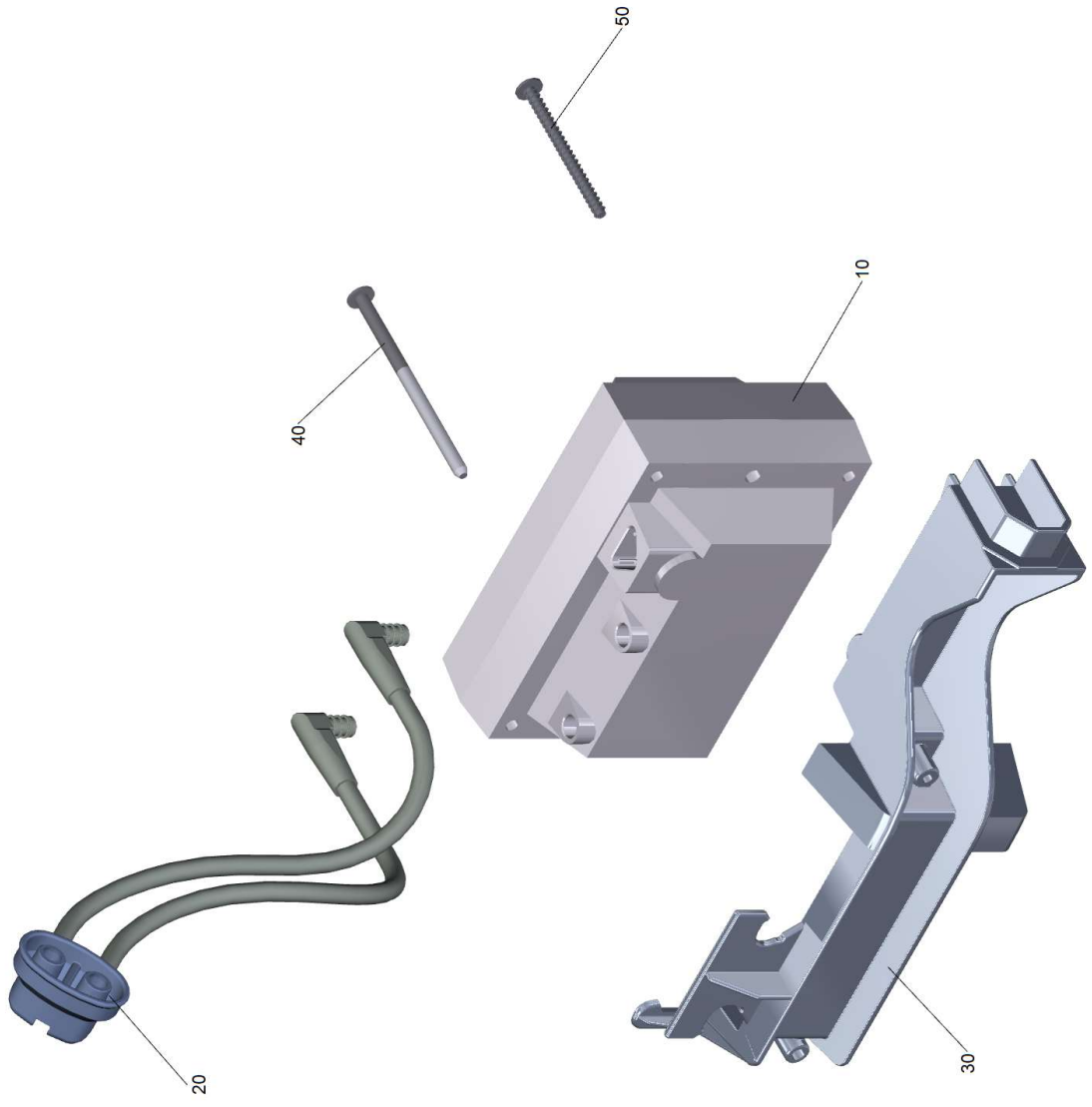
1000 Safety system

POS	Article no.	Description	Quantity	Unit
5	4.551-058.0	Cartridge protection against water short	1	PC
3	5.041-076.0	Clamp	1	PC
7	6.303-122.0	M4 .2X13 DIN 7981 TORX T15 PAN HD HI/LO	1	PC
Item text1: successor of 9.760-120.0				
1	4.427-040.0	Manifold complete screw plug	1	PC
8	6.362-482.0	O-Ring seal 10 x 1,5-NBR 70	1	PC
902	2.885-051.0	Reed switch replacement	1	PC
901	4.580-709.0	Safety valve complete replacement	1	PC
7	9.760-120.0	Screw d.4,2x13 (9.086-192)	1	PC
6	5.305-162.0	Shaped screw	1	PC



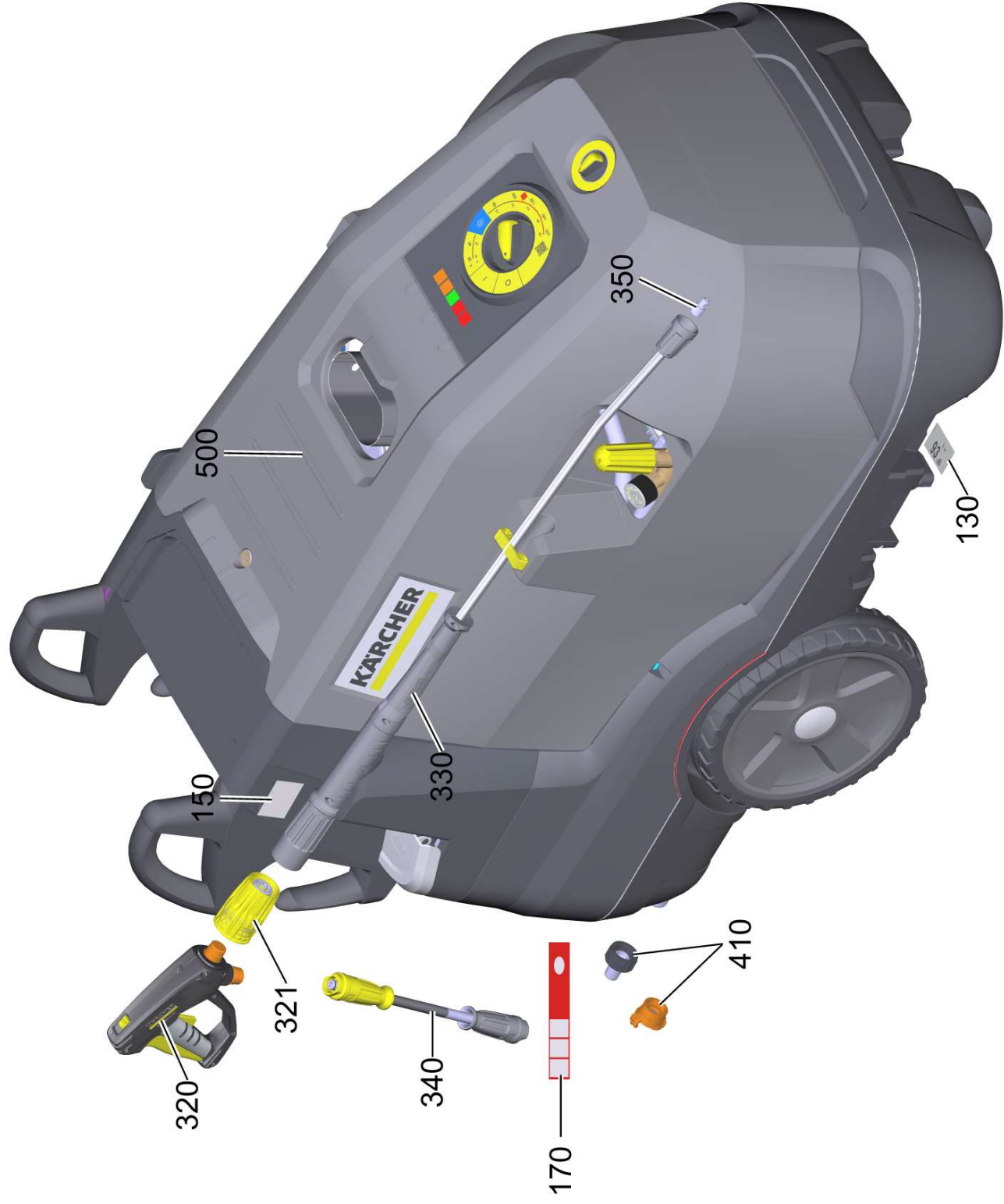
901 Safety valve complete replacement (4.580-709.0)

POS	Article no.	Description	Quantity	Unit
8	6.362-845.0	O-Ring seal 10,82x 1,78	1	PC
3	6.401-429.0	Sphere polyamide 8mm	1	PC



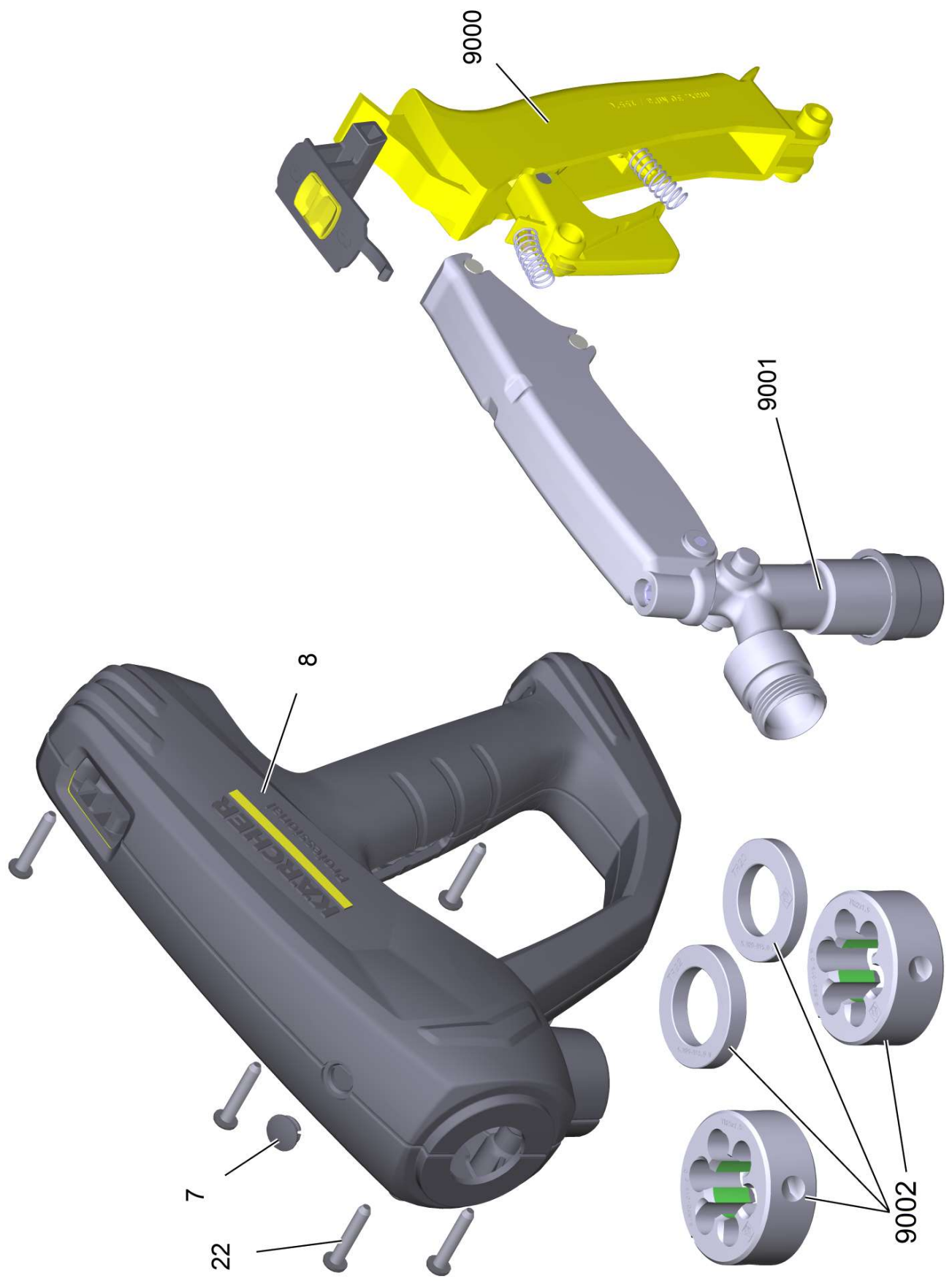
2000 Add-on kit ignition transformer HDS-M/S 400V

POS	Article no.	Description	Quantity	Unit
30	5.424-140.0	Fixing	1	PC
20	4.821-100.3	Ignition cable complete for replacement	1	PC
10	6.622-275.0	Ignition transformer -400V, 50 Hz	1	PC
50	7.303-234.0	Screw 5x60-10.9-A2K (K-In6Rd)	1	PC
40	7.303-330.0	Screw 5x85-10.9-ZFBHL (K-In6Rd)	1	PC



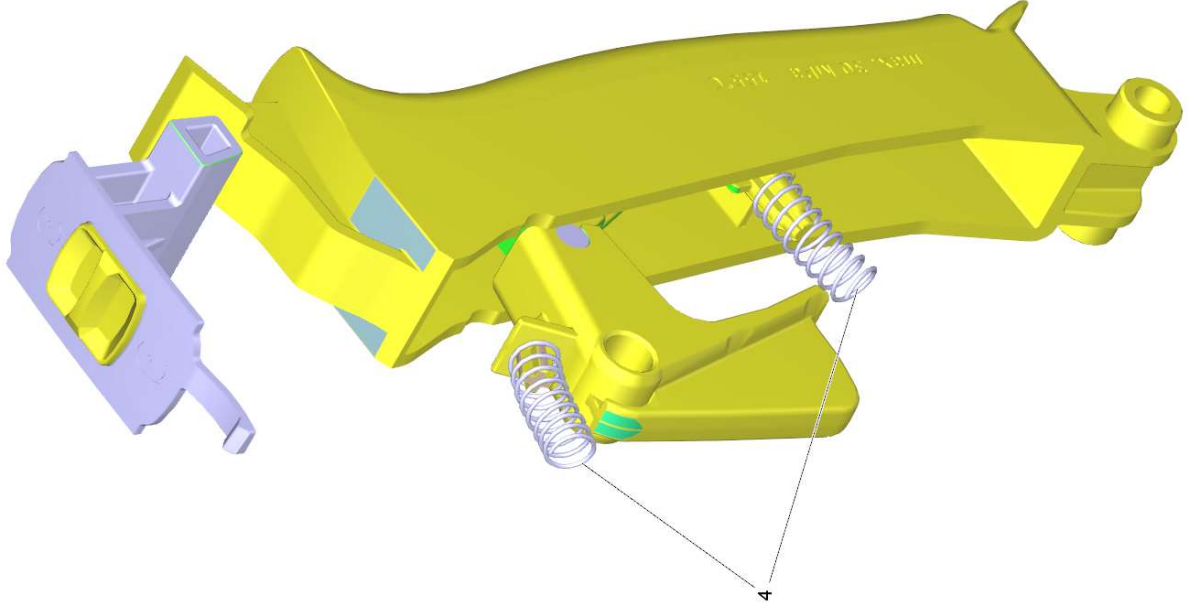
10 HDS 9/20-4 M (2.002-194.0)

POS	Article no.	Description	Quantity	Unit
320	4.118-005.0	EASY!Force Advanced	1	PC
340	6.110-038.0	Hose assembly TR DN8 40MPa 10m	1	PC
330	4.112-000.0	Jet pipe TR 1050 mm	1	PC
130	5.385-365.0	Label 93 dB	1	PC
170	5.383-342.0	Label fuel oil einfuellen	1	PC
350	2.113-009.0	Power nozzle TR 25047	1	PC
321	4.118-008.0	Rotary controller TR 416L	1	PC
410		Set mounting parts	1	PC
500		Unit HDS 9/20-4 M	1	PC
150	5.387-620.0	Warning sign new	1	PC



320 EASY!Force Advanced (4.1.18-005.0)

POS	Article no.	Description	Quantity	Unit
8	5.321-136.3	Handhold few EH 155 only for replacement	1	PC
9001	4.427-014.0	Manifold TR EH 155 nur fuer Ersatz	1	PC
7	5.132-001.0	Plug	1	PC
22	7.303-096.0	Screw 4x22-ST-10.9-R2R (IN6RD)	7	PC
9002	5.820-015.0	Screwing die kit TR	1	PC
9000	2.885-483.0	Spare part set lever	1	PC

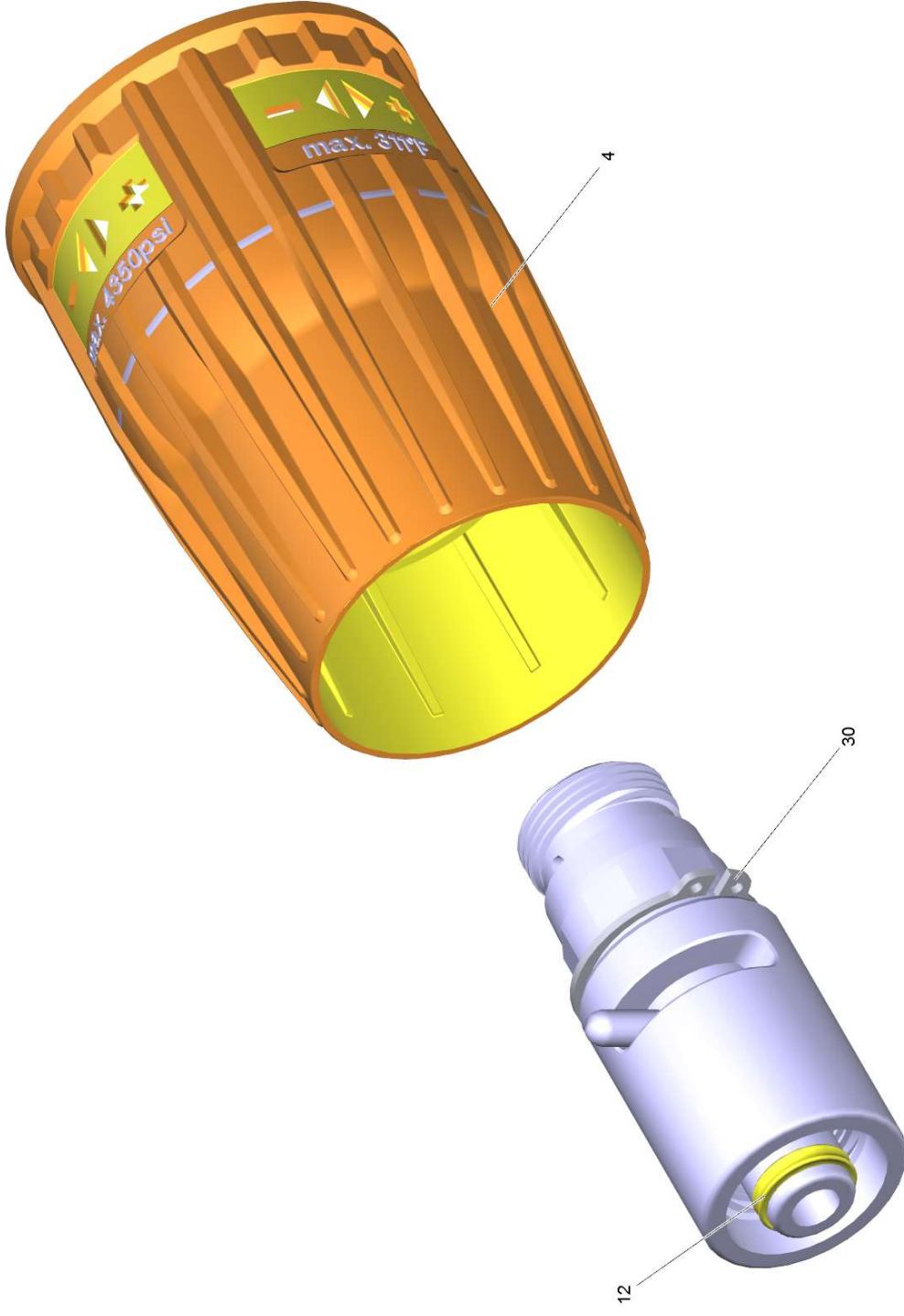


9000 Spare part set lever (2.885-483.0)

POS	Article no.	Description	Quantity	Unit
4	5.332-178.0	Helical spring	2	PC

321 Rotary controller TR 416L (4.118-008.0)

POS	Description	Quantity	Unit
1	Rotary controller TR 416L	1	PC

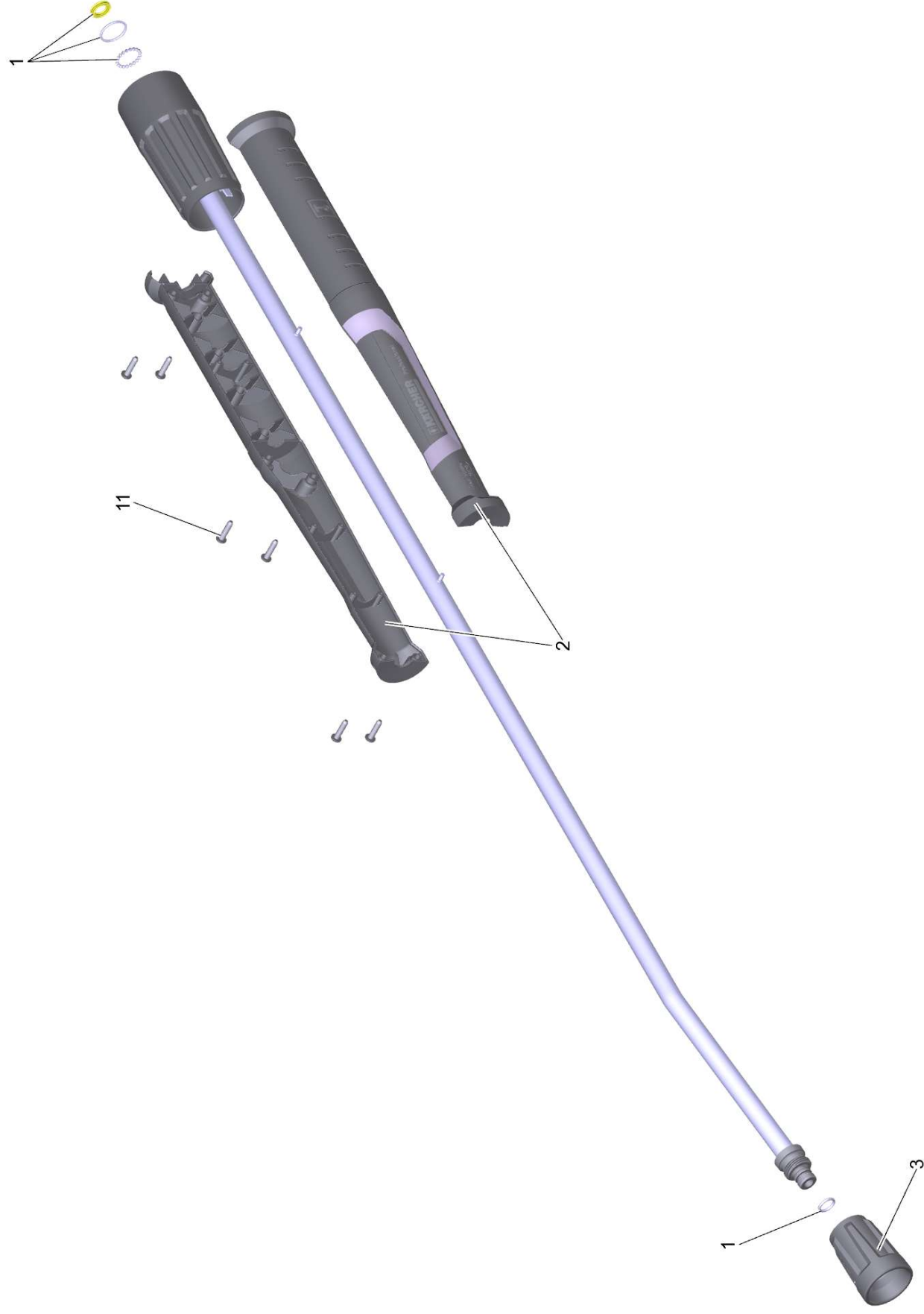


1 Rotary controller TR 416L

POS	Article no.	Description	Quantity	Unit
4	5.321-364.3	Handhold rotary controller	1	PC
30	7.343-069.0	Locking ring 25x1,2-1.4122 DIN 471	1	PC
12	2.880-001.0	Spare part set seals TR	1	PC

12 Spare part set seals TR (2.880-001.0)

POS	Article no.	Description	Quantity	Unit
3	4.101-244.0	O-Ring kit 10x 2 mm	1	PC
1	4.100-710.0	O-Ring seal spare part set 50x	1	PC
2	4.100-711.0	Quad joint ring spare part set 50x	1	PC

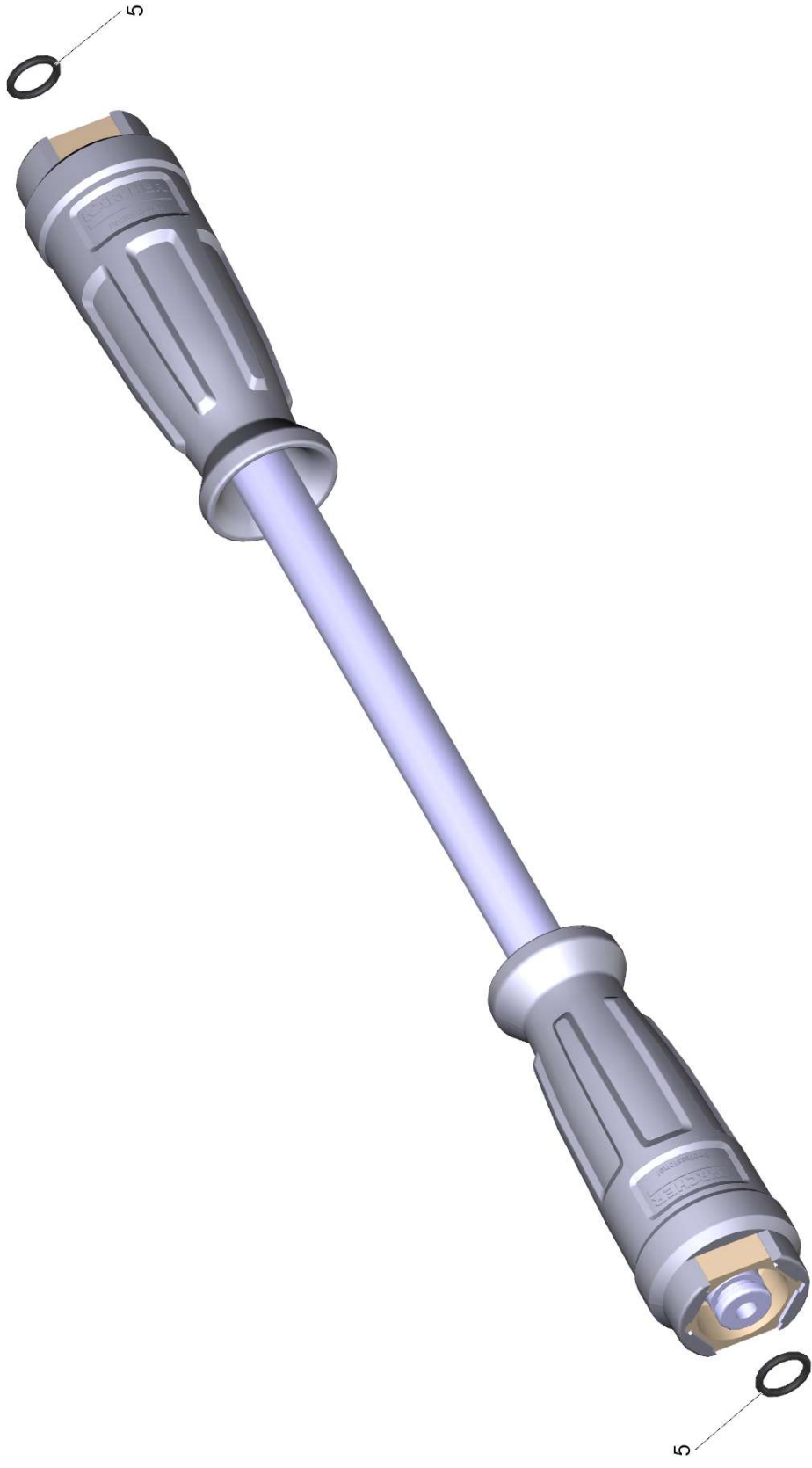


330 Jet pipe TR 1050 mm (4.112-000.0)

POS	Article no.	Description	Quantity	Unit
2	5.321-018.3	Handle bowl jet pipe only for replacement	1	PC
3	4.112-011.0	Protection part TR only for replacement	1	PC
11	7.303-129.0	Screw 4x16-10.9-R2R (K-In6Rd)	6	PC
1	4.100-688.0	Spare part set seal TR	1	PC

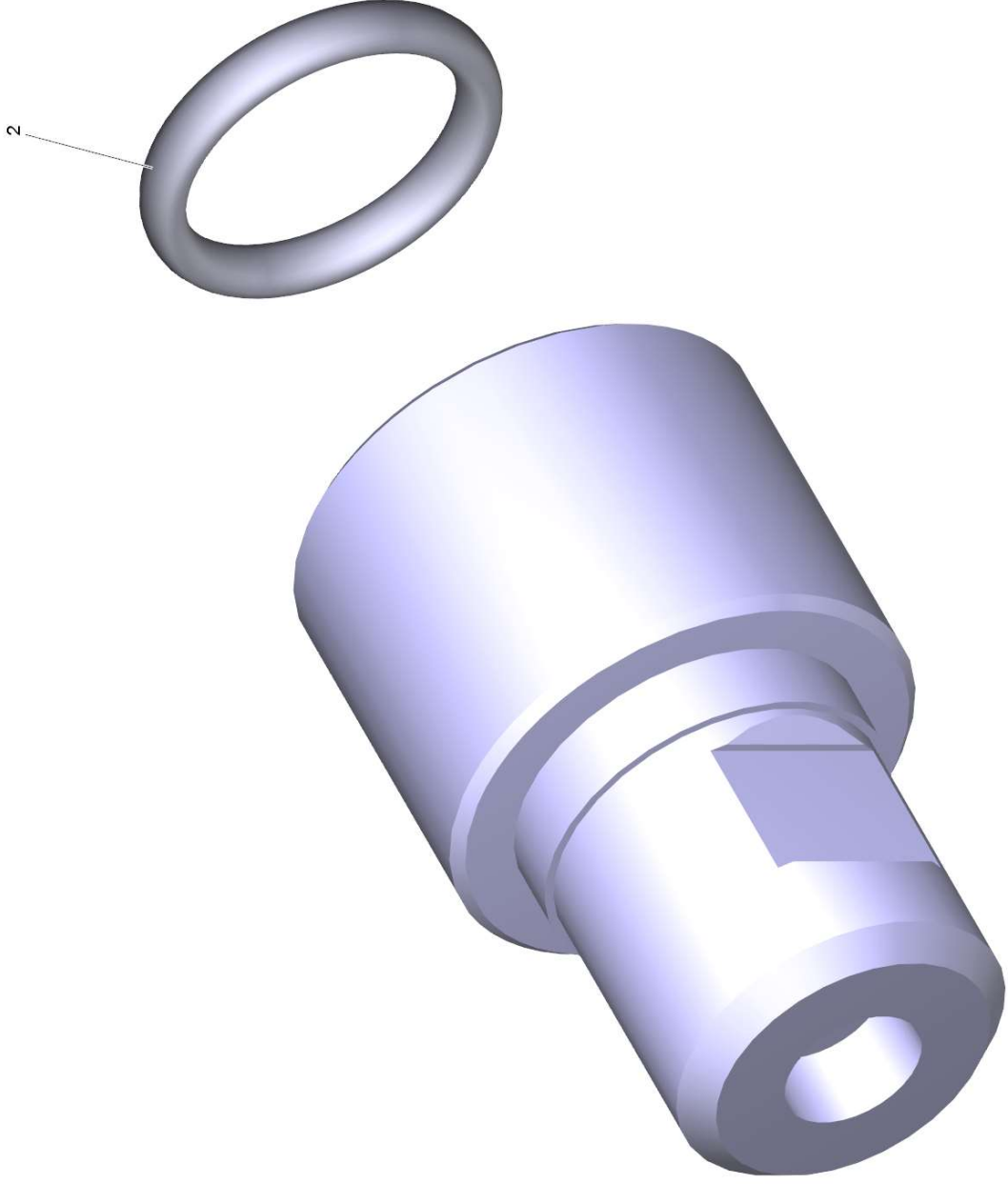
340 Hose assembly TR DN8 40MPa 10m (6.110-038.0)

POS	Description	Quantity	Unit
1	Hose assembly TR rotatable DN8 40MPa 10m	1	PC



1 Hose assembly TR rotatable DN8 40MPa 10m

POS	Article no.	Description	Quantity	Unit
5	2.880-154.0	O-Ring kit	1	PC

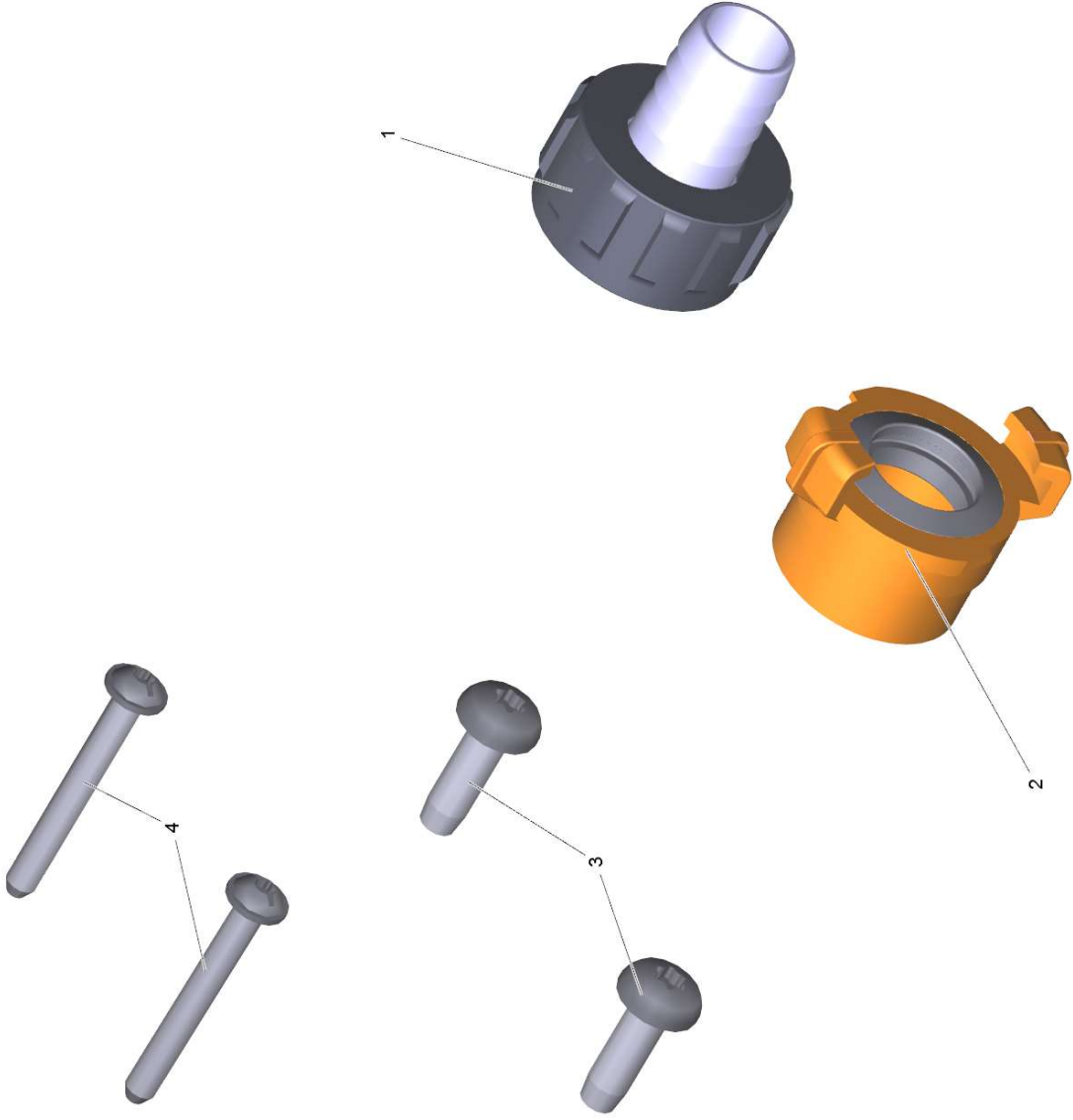


350 Power nozzle TR 25047 (2.113-009.0)

POS	Article no.	Description	Quantity	Unit
2	2.880-001.0	Spare part set seals TR	1	PC

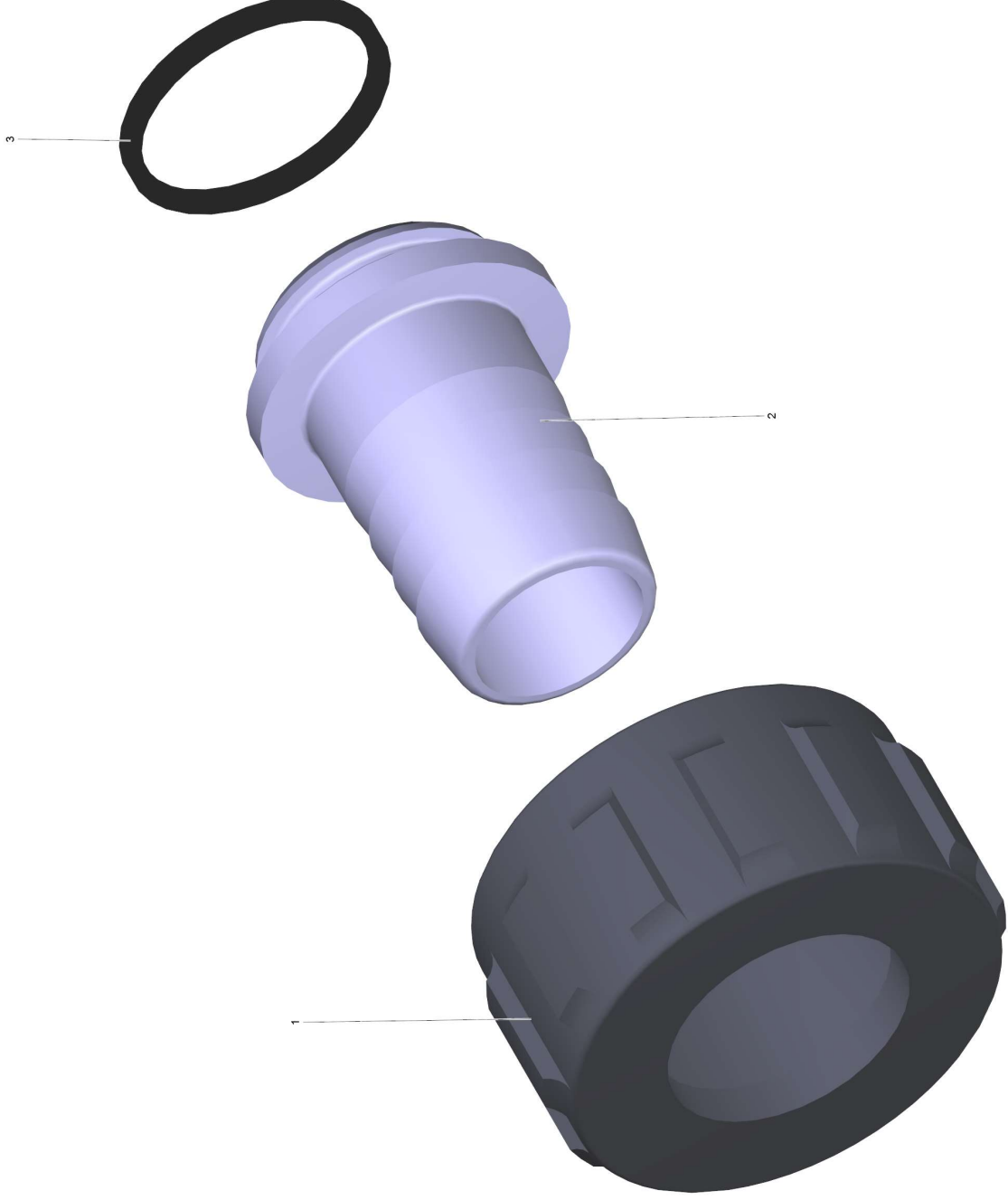
2 Spare part set seals TR (2.880-001.0)

POS	Article no.	Description	Quantity	Unit
3	4.101-244.0	O-Ring kit 10x 2 mm	1	PC
1	4.100-710.0	O-Ring seal spare part set 50x	1	PC
2	4.100-711.0	Quad joint ring spare part set 50x	1	PC



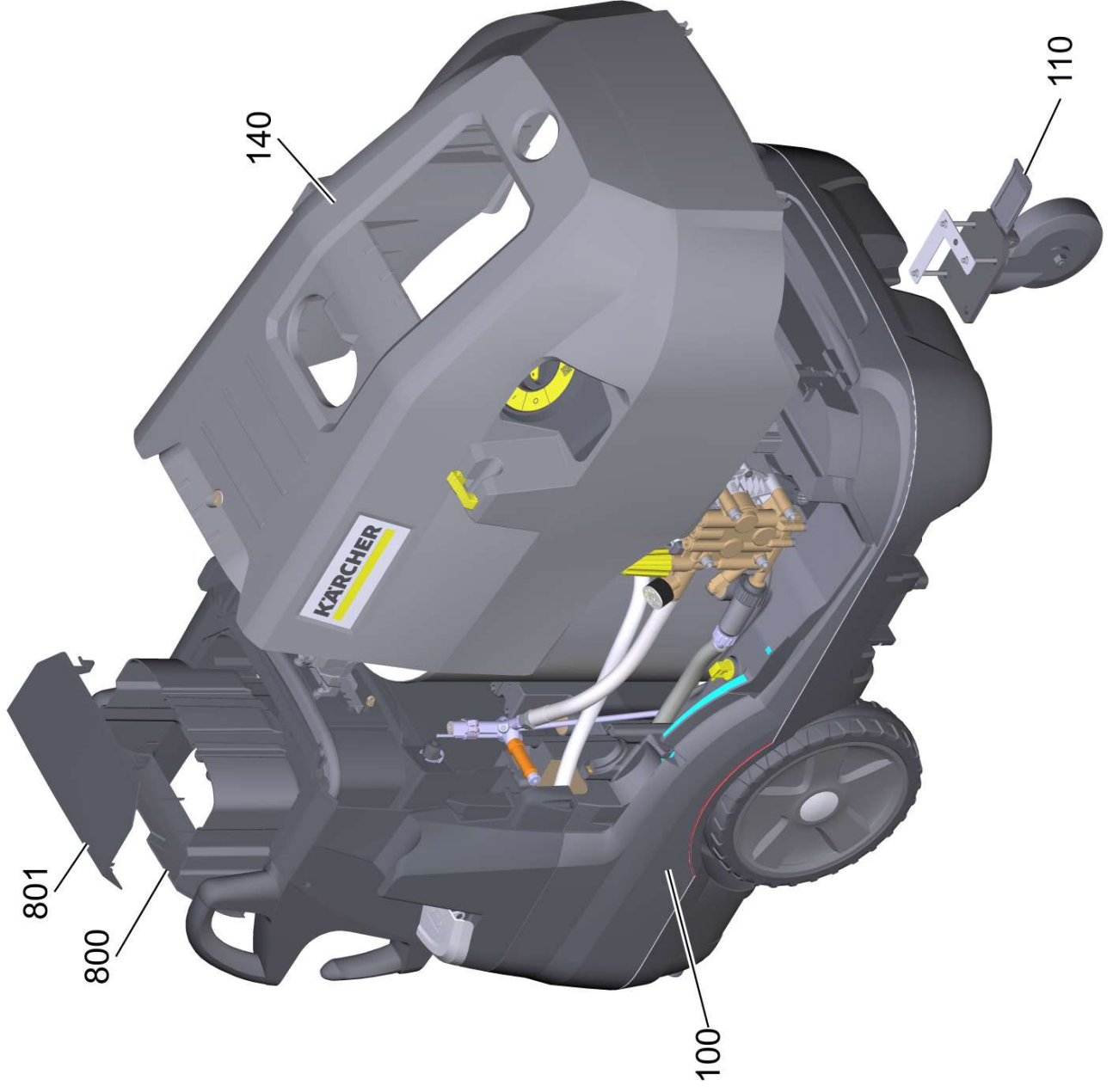
410 Set mounting parts

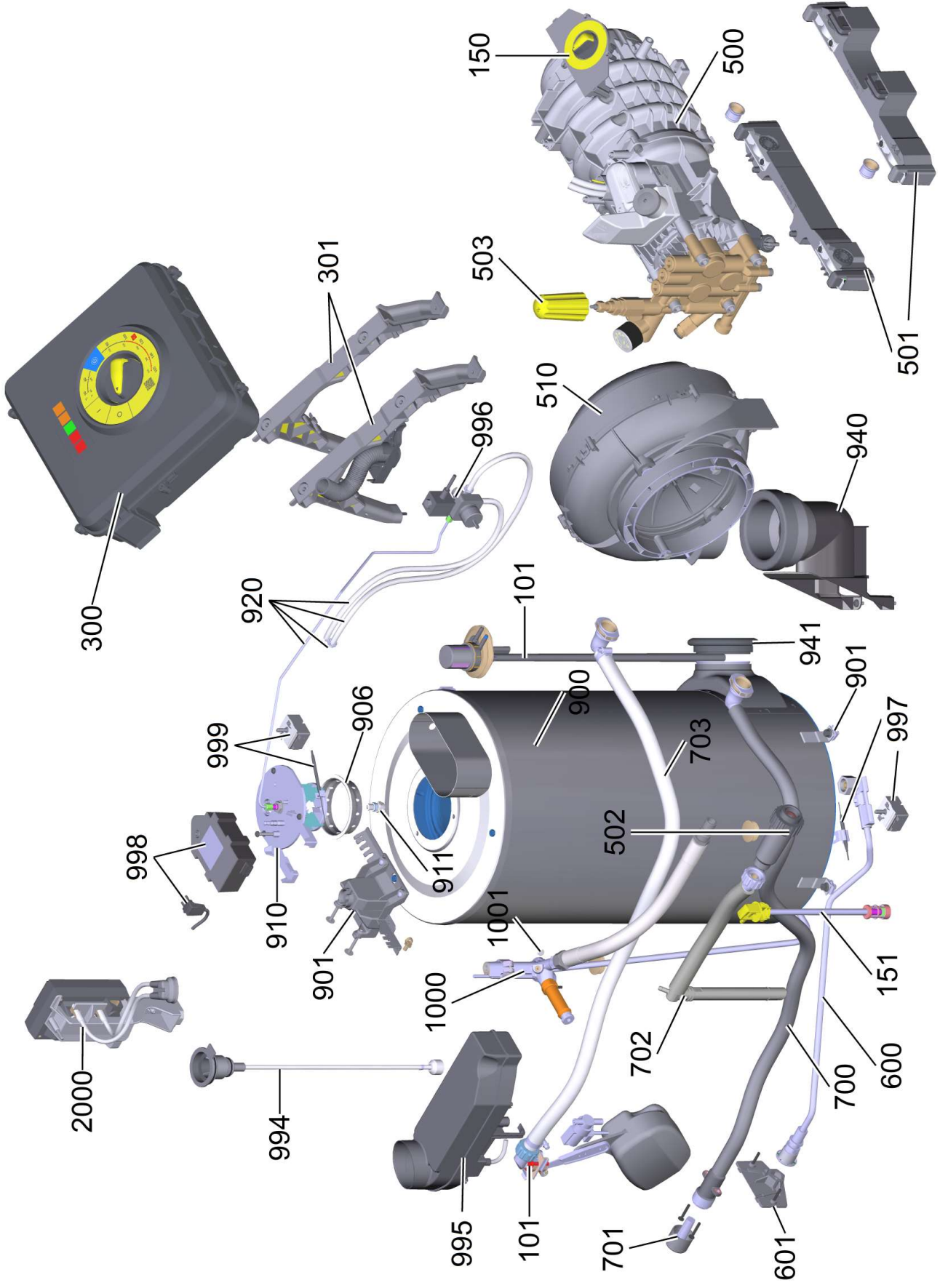
POS	Article no.	Description	Quantity	Unit
1	2.640-492.0	"Set water connection 1 """"	1	PC
2	6.388-458.0	Hose coupling	1	PC
4	7.303-209.0	Screw 6x50-10.9-R2R (K-In6Rd)	1	PC
3	7.303-069.0	Screw M 8x25-ST-R3R (IN6RD)	2	PC

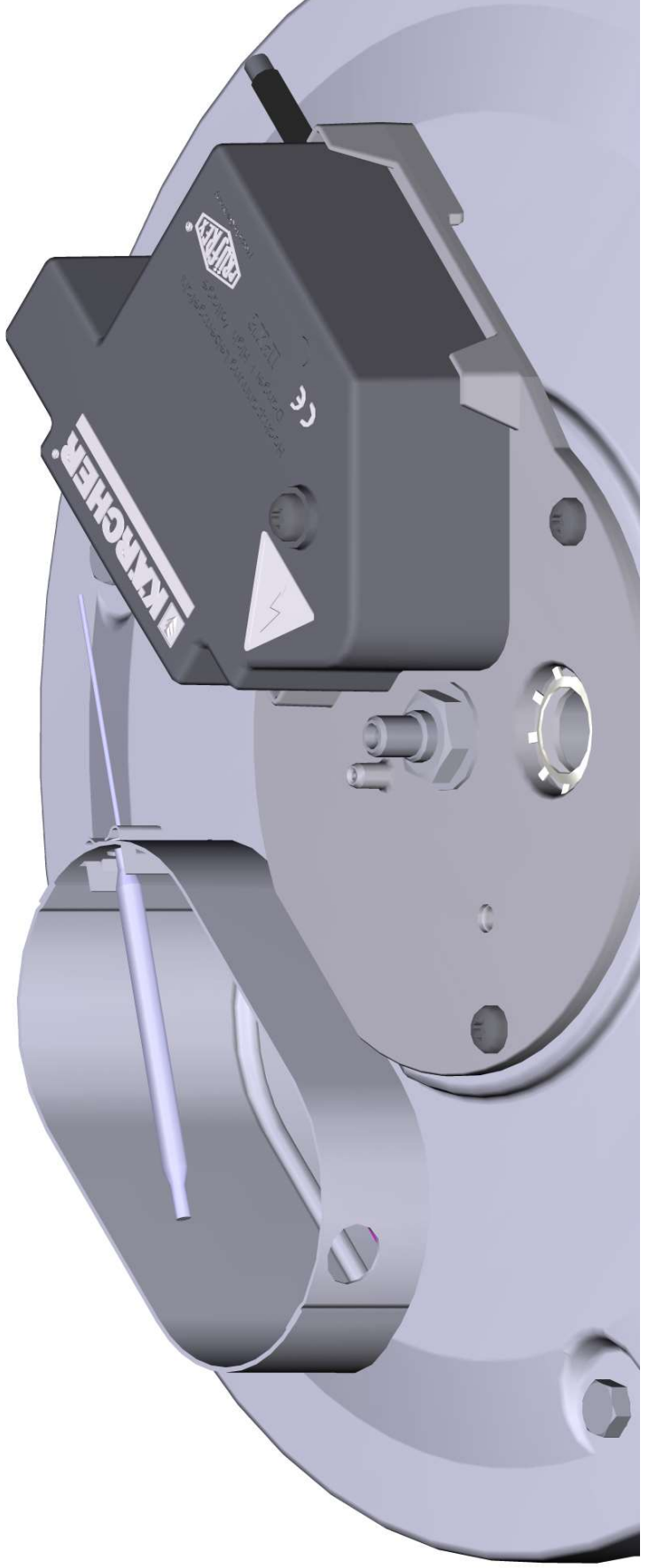
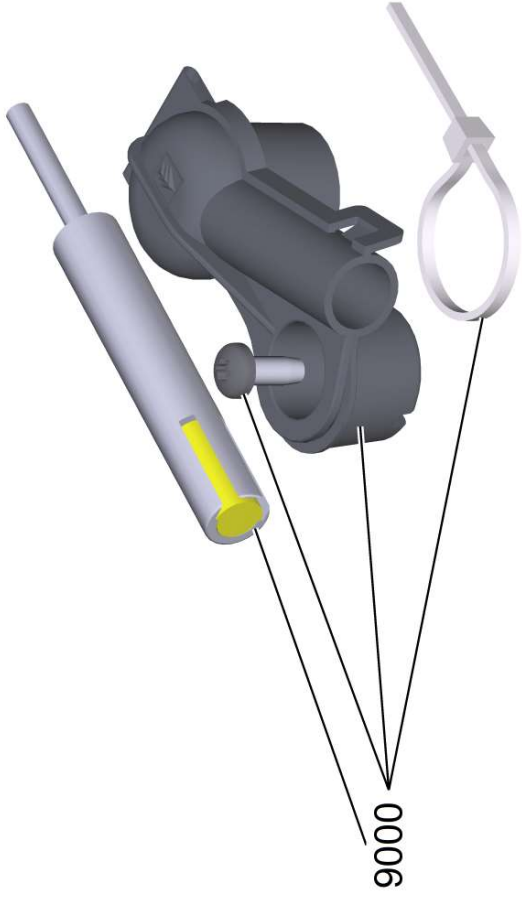


1 "Set water connection 1 "" (2.640-492.0)

POS	Article no.	Description	Quantity	Unit
2	5.443-291.0	Hose stem	1	PC
1	5.310-076.0	Nut	1	PC
3	6.362-161.0	O-Ring seal 19,3 X 2,4	1	PC





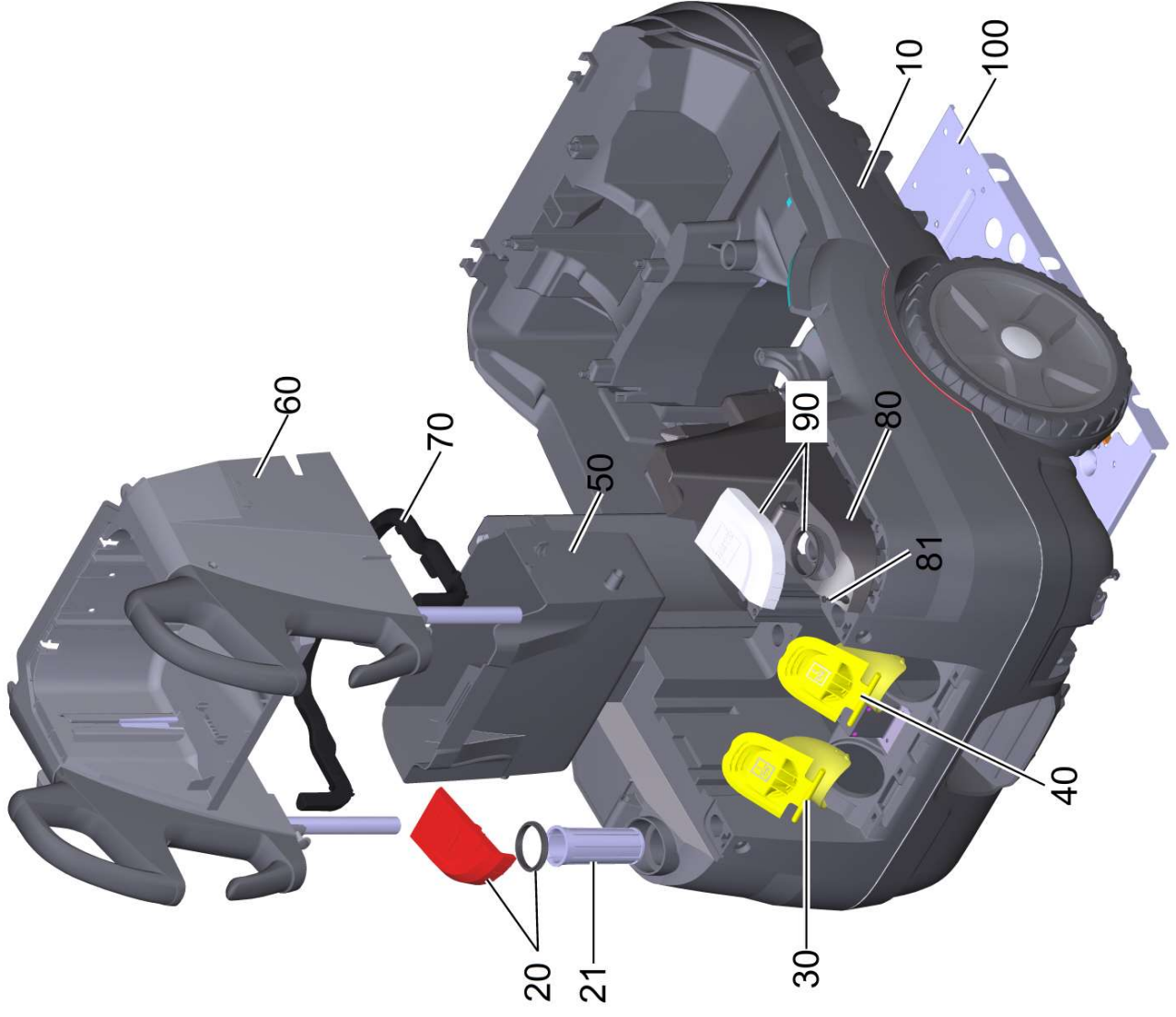


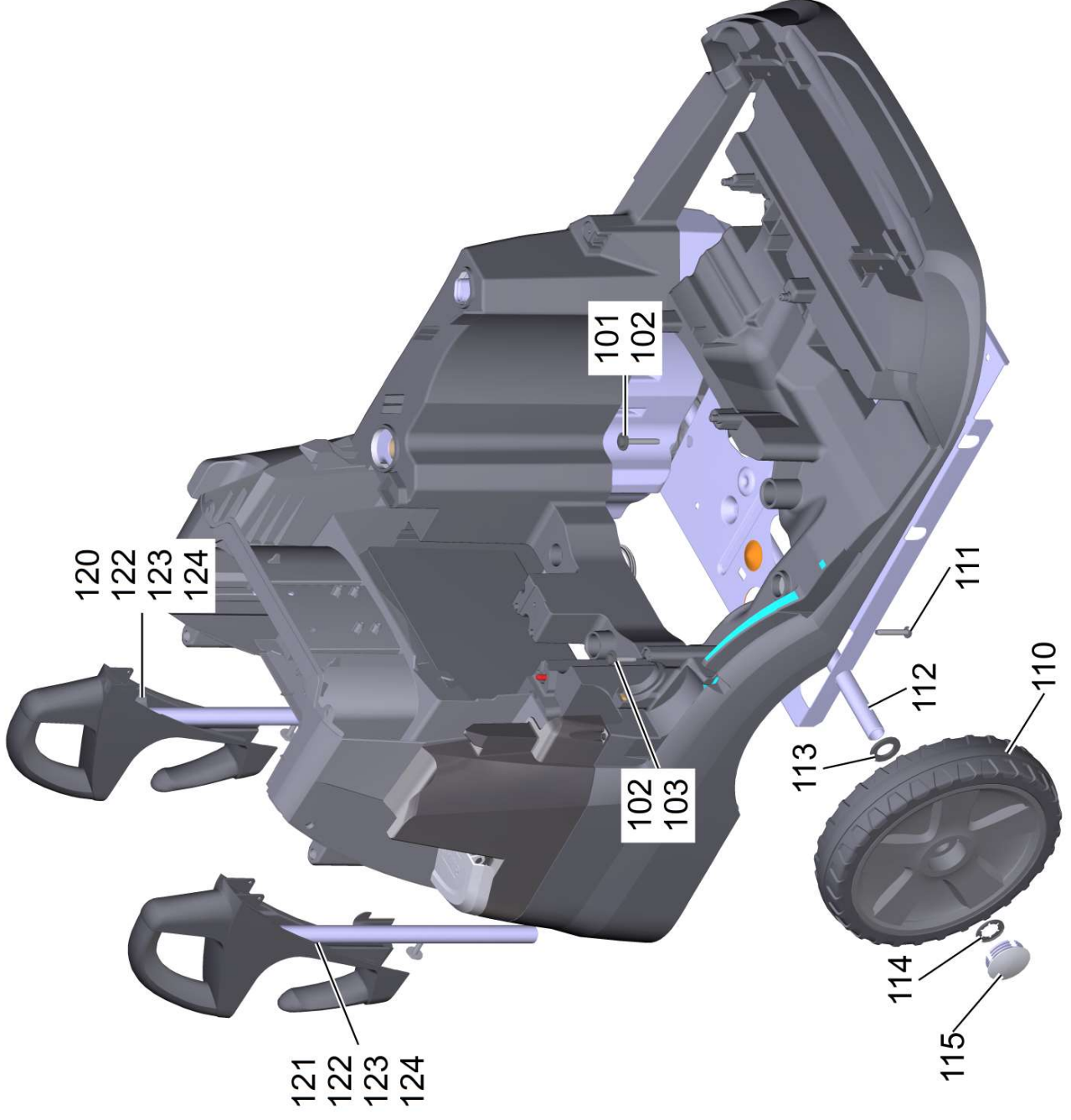
500 Unit HDS 9/20-4 M

POS	Article no.	Description	Quantity	Unit
1001	7.382-274.0	"Screw plug R1/8""-CuZn DIN 909"	1	PC
9000	2.644-475.0	Add-on kit flame guard HDS	1	PC
2000		Add-on kit ignition transformer HDS-M/S 400V	1	PC
940		Air circulation assembly group HDS-Next	1	PC
941	4.101-169.0	Bellows seal long	1	PC
510		Blower kit G2-A	1	PC
900		Boiler	1	PC
901		Boiler assembly group D313	1	PC
910	4.654-305.0	Burner complete	1	PC
110		Castors single	1	PC
151		Chemistry valve assembly Baugruppe	1	PC
998		Connection cable for ignition transforme	1	PC
801	5.038-705.3	Cover plate	1	PC
140	4.069-073.3	Device cover complete	1	PC
301		Electrical box assembly group HDS-M/S Next	1	PC
300		Electric control box HDS Next	1	PC
906	5.664-256.0	Flame tube	1	PC
996	6.473-552.3	Fuel pump	1	PC
920	4.473-051.3	Fuel pump ignition transformer assembly	1	PC
503	5.322-103.0	Handle	1	PC
601		High-pressure outlet assembly group HDS-M/S Next	1	PC
702		Hose float	1	PC
703		Hose float	1	PC
700	4.440-792.0	Hose water connection 2-Rad	1	PC
998	6.622-369.3	Ignition transformer electronic 400 V	1	PC
701		Intake assembly group HDS-M/S Next	1	PC
994	4.747-034.3	Level probe	1	PC
600	4.427-011.0	Manifold complete high-pressure outlet	1	PC
500		Motor pump HDS 9/20-4 M EU 62W1528	1	PC
911	6.415-001.0	Nozzle 1,35 60° A	1	PC
101		Platform assembly group HDS-M/S Next	1	PC
100		Platform HDS -M/S Next	1	PC
150	4.063-032.3	Proportioning valve chemistry asy	1	PC

500 Unit HDS 9/20-4 M

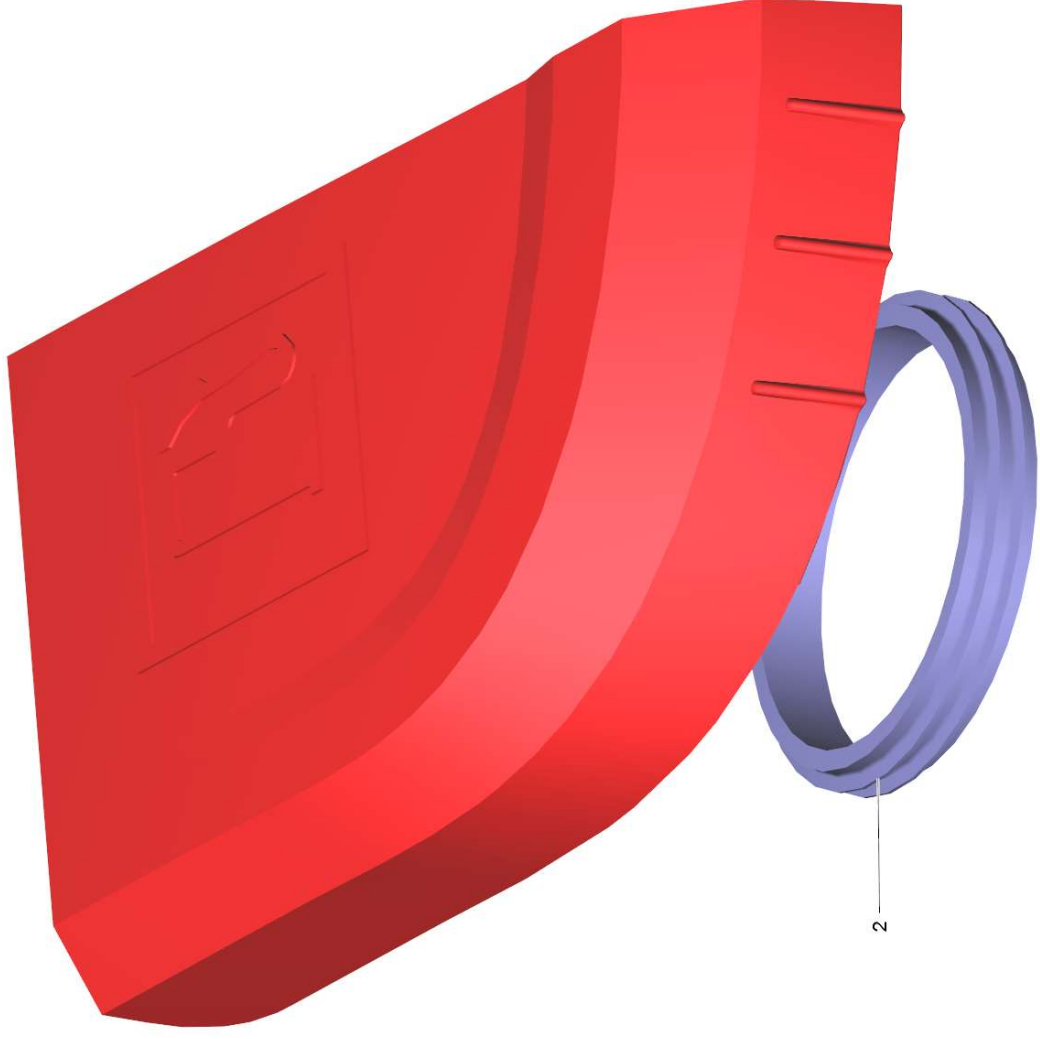
POS	Article no.	Description	Quantity	Unit
501		Pump assembly assembly group HDS-M/S Next	1	PC
1000		Safety system	1	PC
800	5.038-713.3	Storage compartment	1	PC
995	4.071-792.3	Tank kpl.	1	PC
997	4.686-021.0	Thermostat complete only for replacement	1	PC
999	4.686-029.0	Thermostat only for replacement	1	PC
502	4.730-168.3	Water filter complete	1	PC





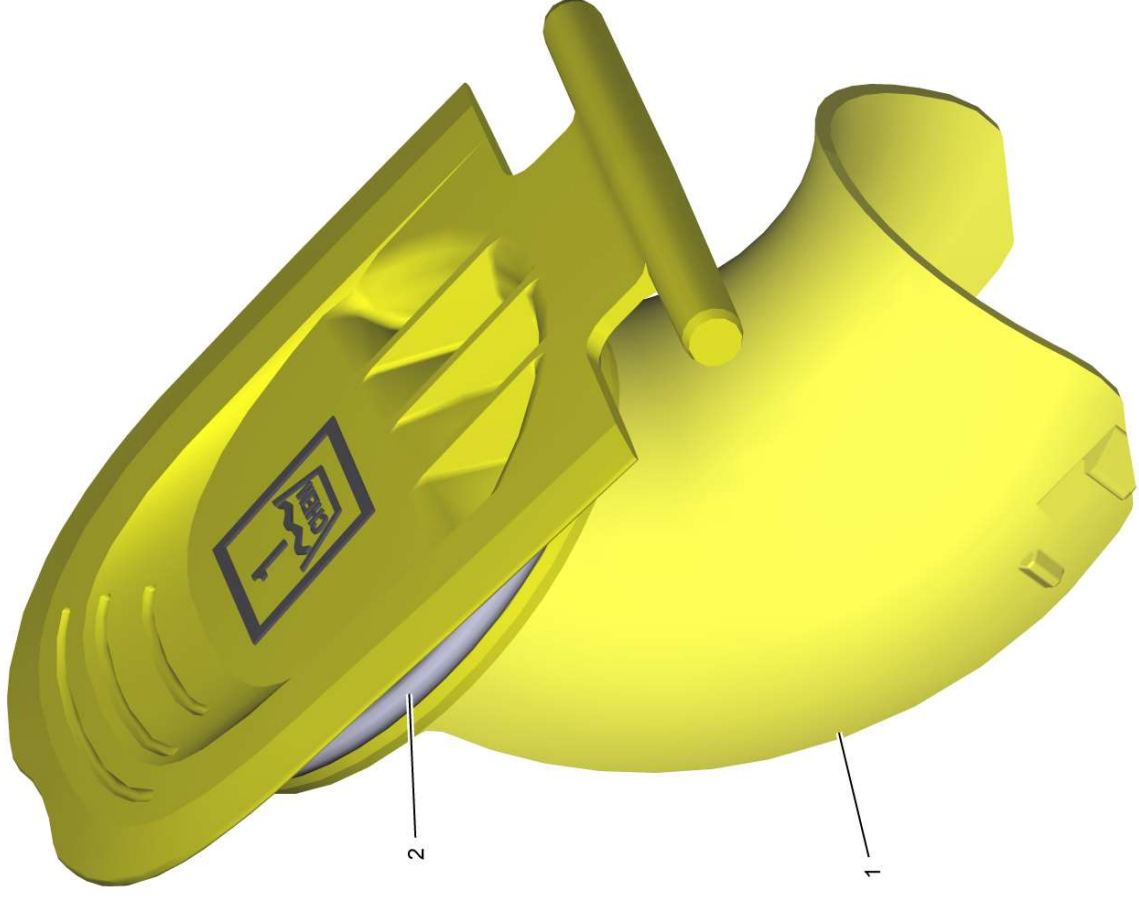
100 Platform HDS -M/S Next

POS	Article no.	Description	Quantity	Unit
112	5.105-652.0	Axle	1	PC
100	5.052-371.0	Base plate boiler	1	PC
30		Cover complete Chem 1	1	PC
40		Cover complete Chem 2	1	PC
90	4.064-014.0	Cover complete RM 110	1	PC
20	4.064-013.0	Cover fuel complete	1	PC
80	5.033-118.0	Covering cap box DGT	1	PC
21	5.731-039.0	Filter	1	PC
50	5.033-155.0	Flap	1	PC
10	4.051-109.0	Frame neue M-Klasse Ersatz	1	PC
114	6.343-162.0	Lock washer -25	2	PC
60	5.801-009.3	Mounting plate	1	PC
70	5.033-111.0	Profile	1	PC
81	7.303-086.0	Screw 5x30-10.9-R2R (K-In6Rd)	2	PC
103	6.303-497.0	Screw M8x35-8.8-A2E (IN6RD)	1	PC
124	6.303-497.0	Screw M8x35-8.8-A2E (IN6RD)	2	PC
101	7.303-236.0	Screw M 8x60-St-A3E (IN6RD)	1	PC
111	7.303-236.0	Screw M 8x60-St-A3E (IN6RD)	1	PC
115	2.889-086.0	Set wheel cap	1	PC
120	5.321-830.0	Sliding handle left	1	PC
121	5.321-831.3	Sliding handle right	1	PC
122	5.027-292.0	Tube handhold	2	PC
102	7.312-277.0	Washer 8-200HV-A2E ISO 7093-1	2	PC
123	7.312-277.0	Washer 8-200HV-A2E ISO 7093-1	2	PC
113	7.312-060.0	Washer 24-100HV-A3E ISO 7091	2	PC
110	4.515-345.0	Wheel complete	2	PC



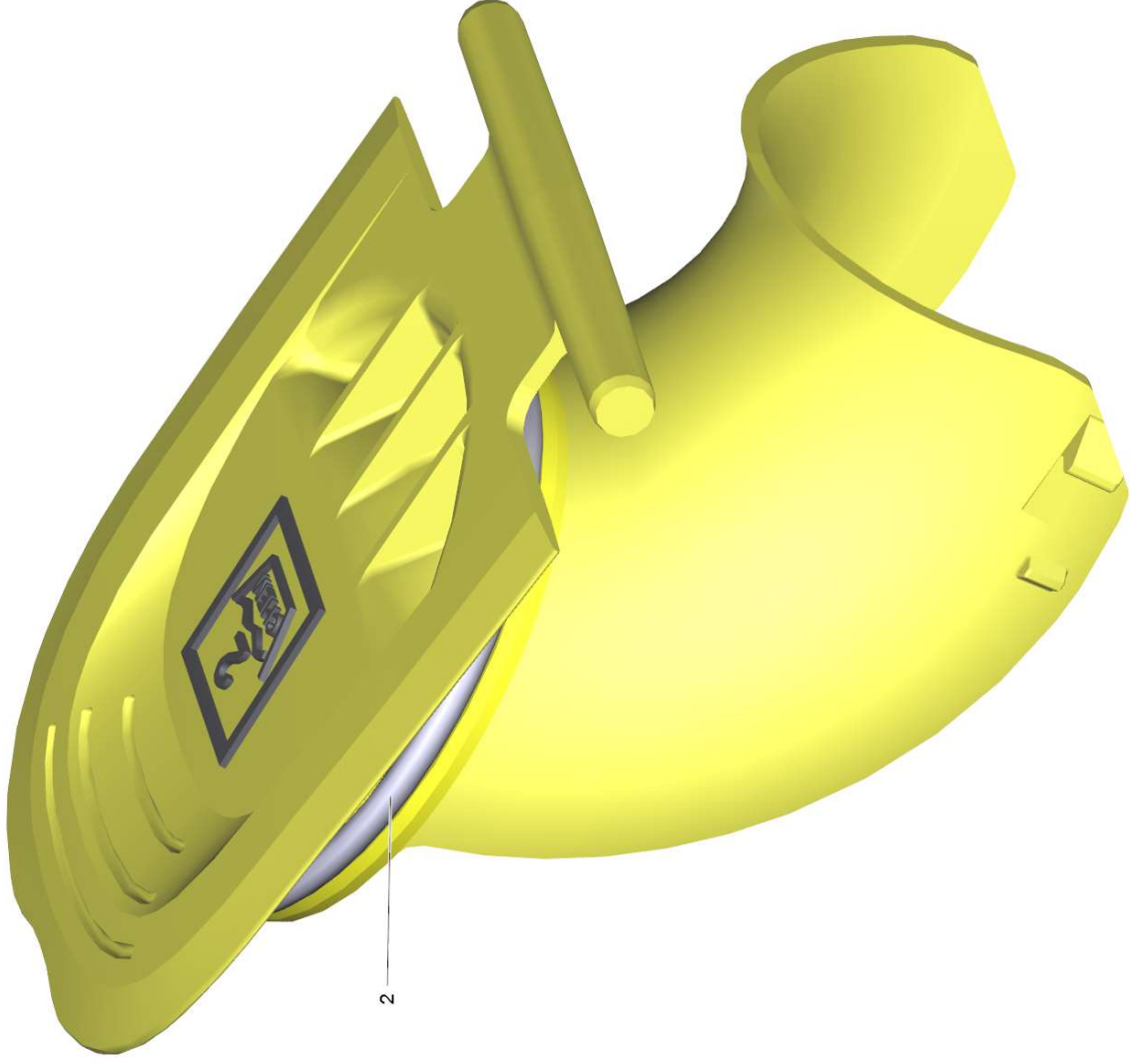
20 Cover fuel complete (4.064-013.0)

POS	Article no.	Description	Quantity	Unit
2	5.363-300.0	Joint ring	1	PC



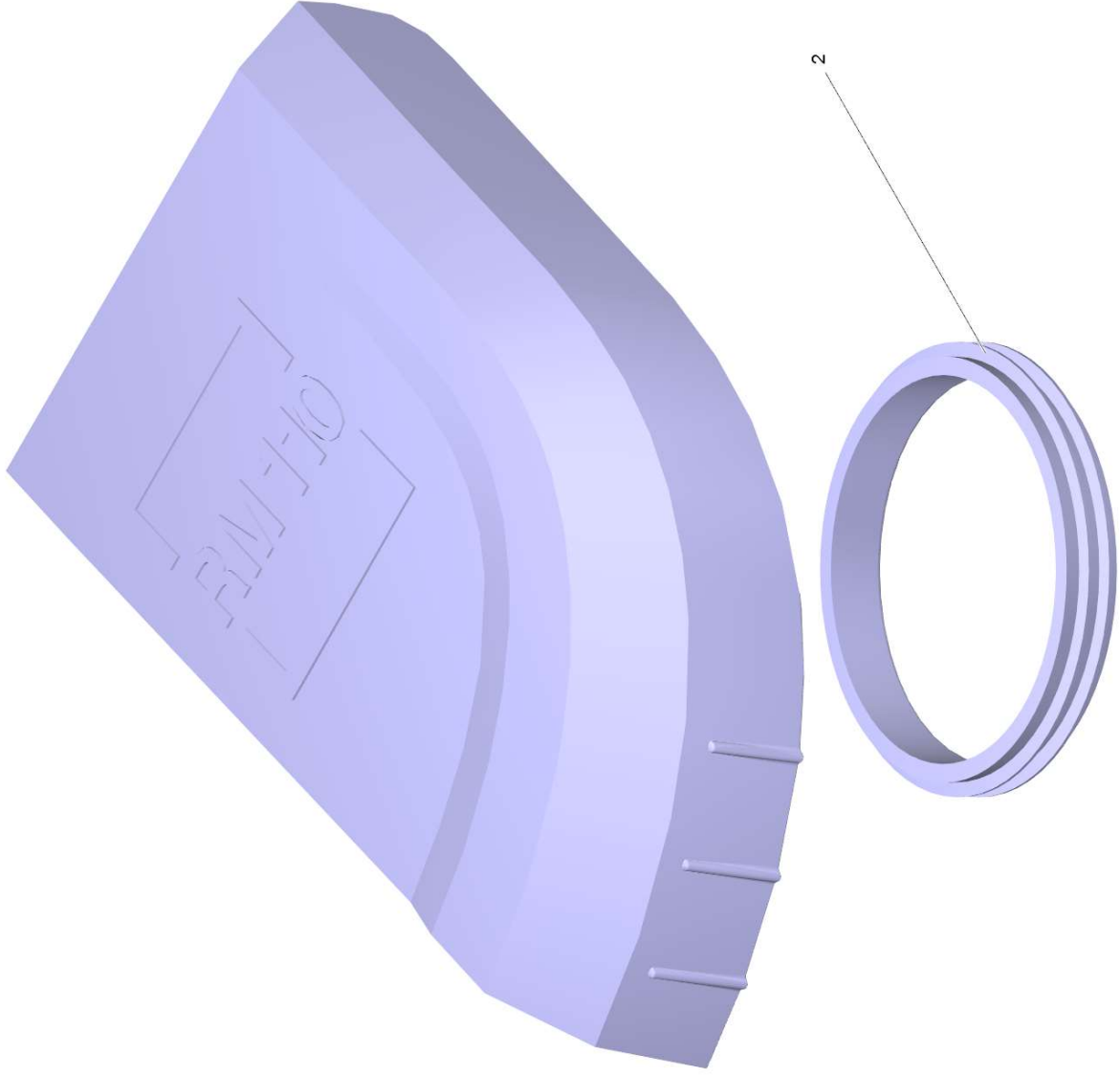
30 Cover complete Chem 1

POS	Article no.	Description	Quantity	Unit
1	5.064-221.0	Cover chemistry 1	1	PC
2	6.363-443.0	O-Ring seal 75x5	1	PC



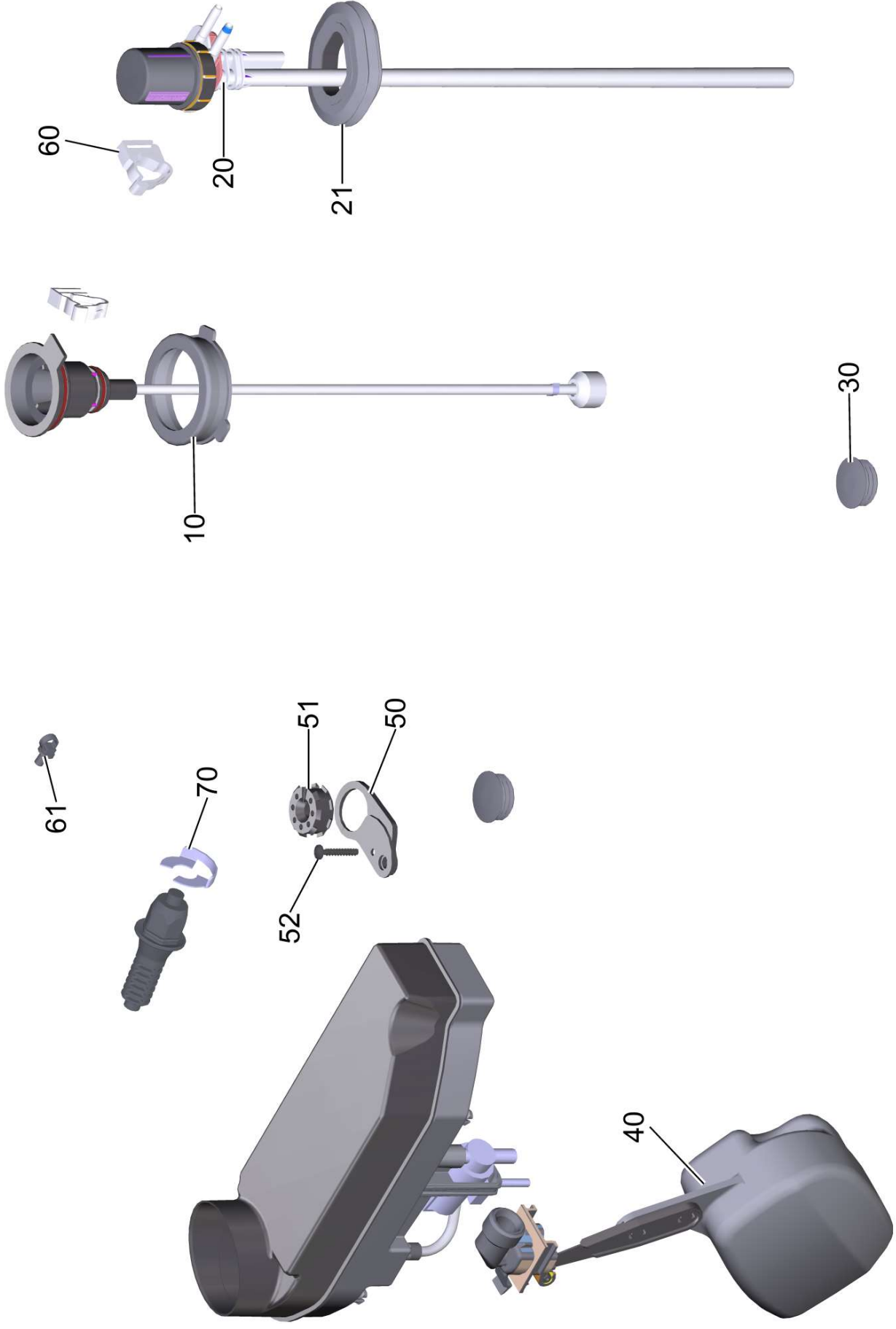
40 Cover complete Chem 2

POS	Article no.	Description	Quantity	Unit
2	6.363-443.0	O-Ring seal 75x5	1	PC



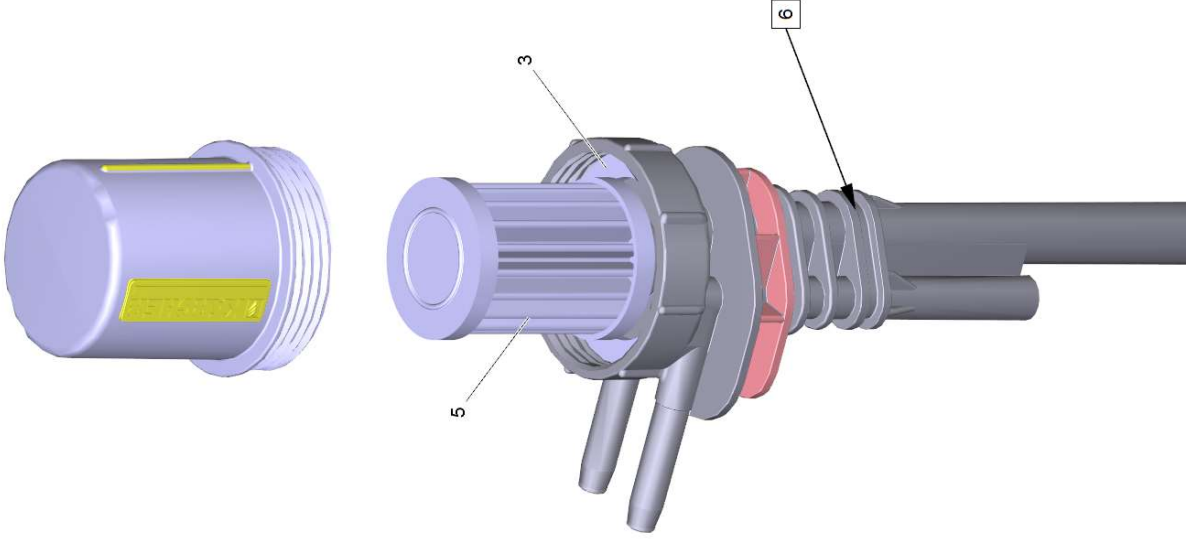
90 Cover complete RM 110 (4.064-014.0)

POS	Article no.	Description	Quantity	Unit
2	5.363-300.0	Joint ring	1	PC



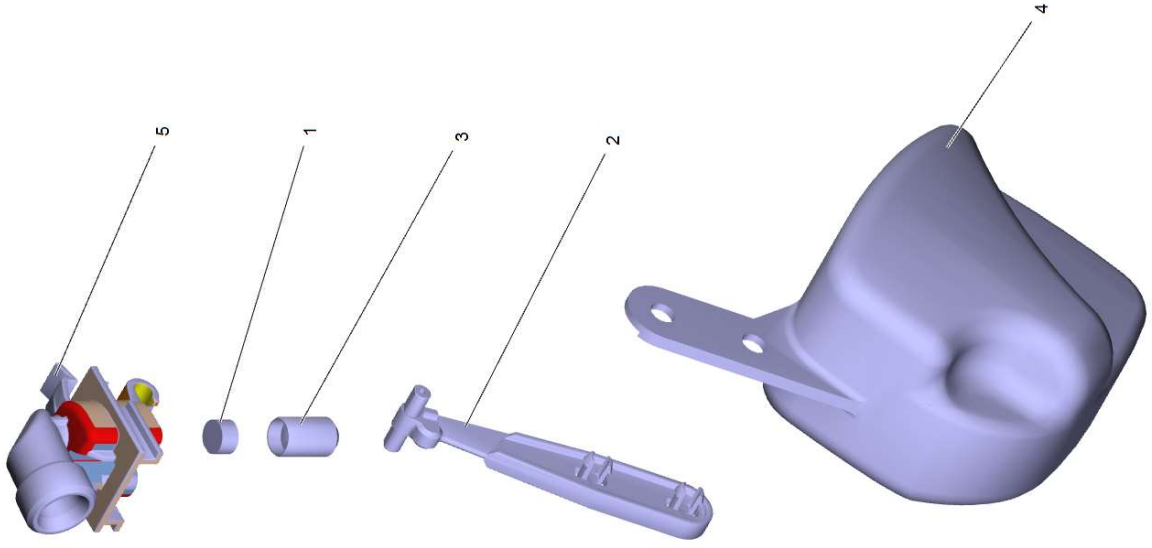
101 Platform assembly group HDS-M/S Next

POS	Article no.	Description	Quantity	Unit
61	6.650-605.0	Cable tie with clip	1	PC
30	6.368-312.0	Drain plug	2	PC
20	4.730-167.3	Filter complete	1	PC
40		Float valve	1	PC
60	5.802-306.0	Holder cable	2	PC
50	5.378-150.0	Holder pipe	1	PC
70	6.343-186.0	Locking ring	1	PC
51	5.767-023.0	Rubber buffer	1	PC
21	5.365-290.0	Rubber bushing fuel	1	PC
10	5.365-289.0	Rubber bushing transmitter feeder	1	PC
52	7.303-108.0	Screw 5x20-10.9-R2R (ln6Rd)	1	PC



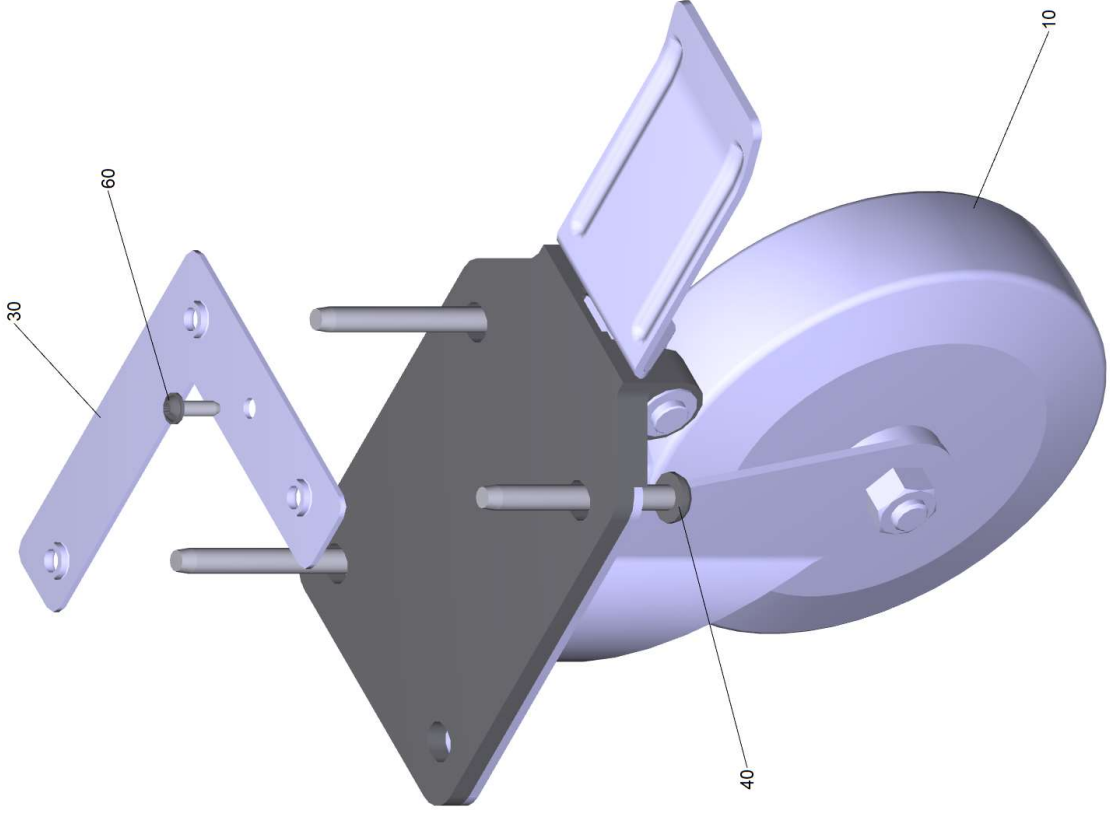
20 Filter complete (4.730-167.3)

POS	Article no.	Description	Quantity	Unit
5	6.414-559.0	Filter fuel	1	PC
6	6.362-079.0	O-Ring seal 18,0 X 2,5	1	PC
3	5.363-629.0	Seal	1	PC



40 Float valve

POS	Article no.	Description	Quantity	Unit
1	5.364-095.0	Flat gasket	1	PC
4	5.585-030.0	Float	1	PC
2	5.481-256.3	Lever	1	PC
5	5.587-214.0	Valve housing	1	PC
3	5.584-085.0	Valve pin	1	PC



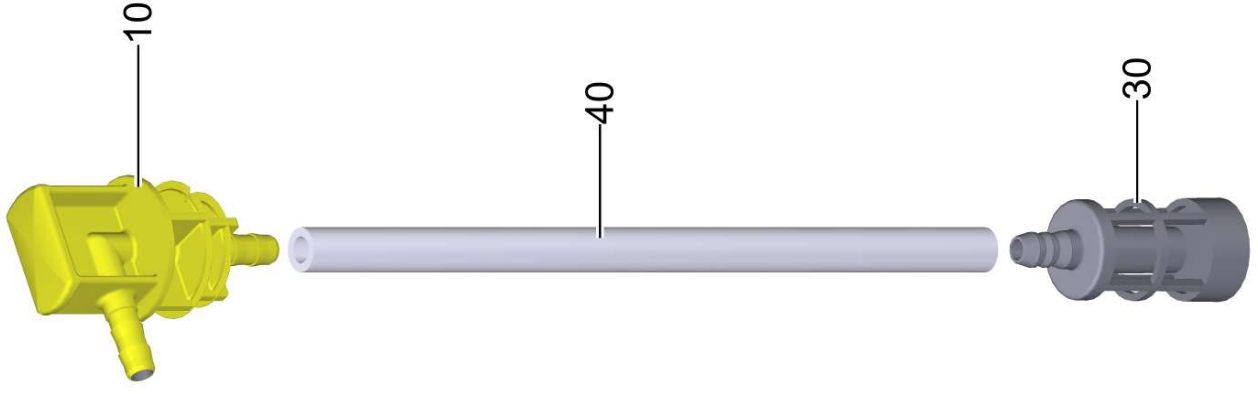
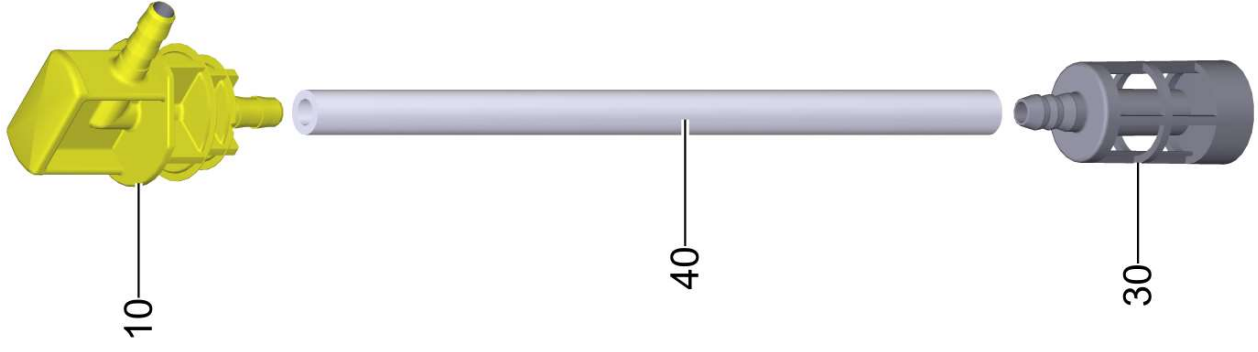
110 Castors single

POS	Article no.	Description	Quantity	Unit
10	6.435-747.0	Castor	1	PC
30	5.424-137.0	Fixing castor	1	PC
60	7.303-107.0	Screw 5x16-10.9-P2R (K-In6Rd)	1	PC
40	7.303-237.0	Screw M 8x70-St-A3K (IN6RD)	3	PC



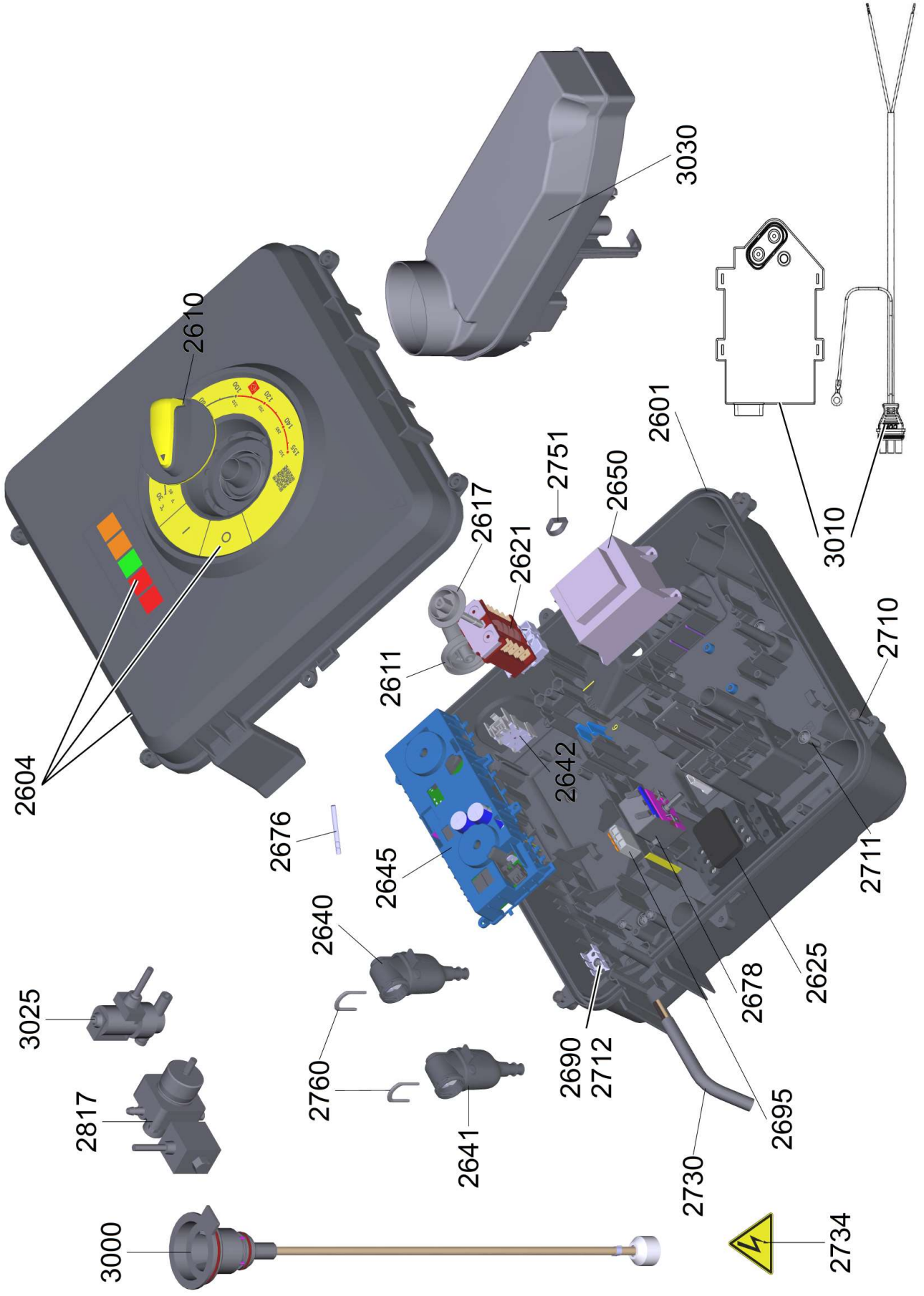
140 Device cover complete (4.069-073.3)

POS	Article no.	Description	Quantity	Unit
3	5.314-014.3	Bolt bearing	2	PC
5	5.317-765.0	Bolt closure cover	1	PC
2	5.424-162.0	Fixing jet pipe	1	PC
6	5.332-236.0	Helical spring	1	PC
4	5.385-503.3	Label logo clipped XL Professional	2	PC



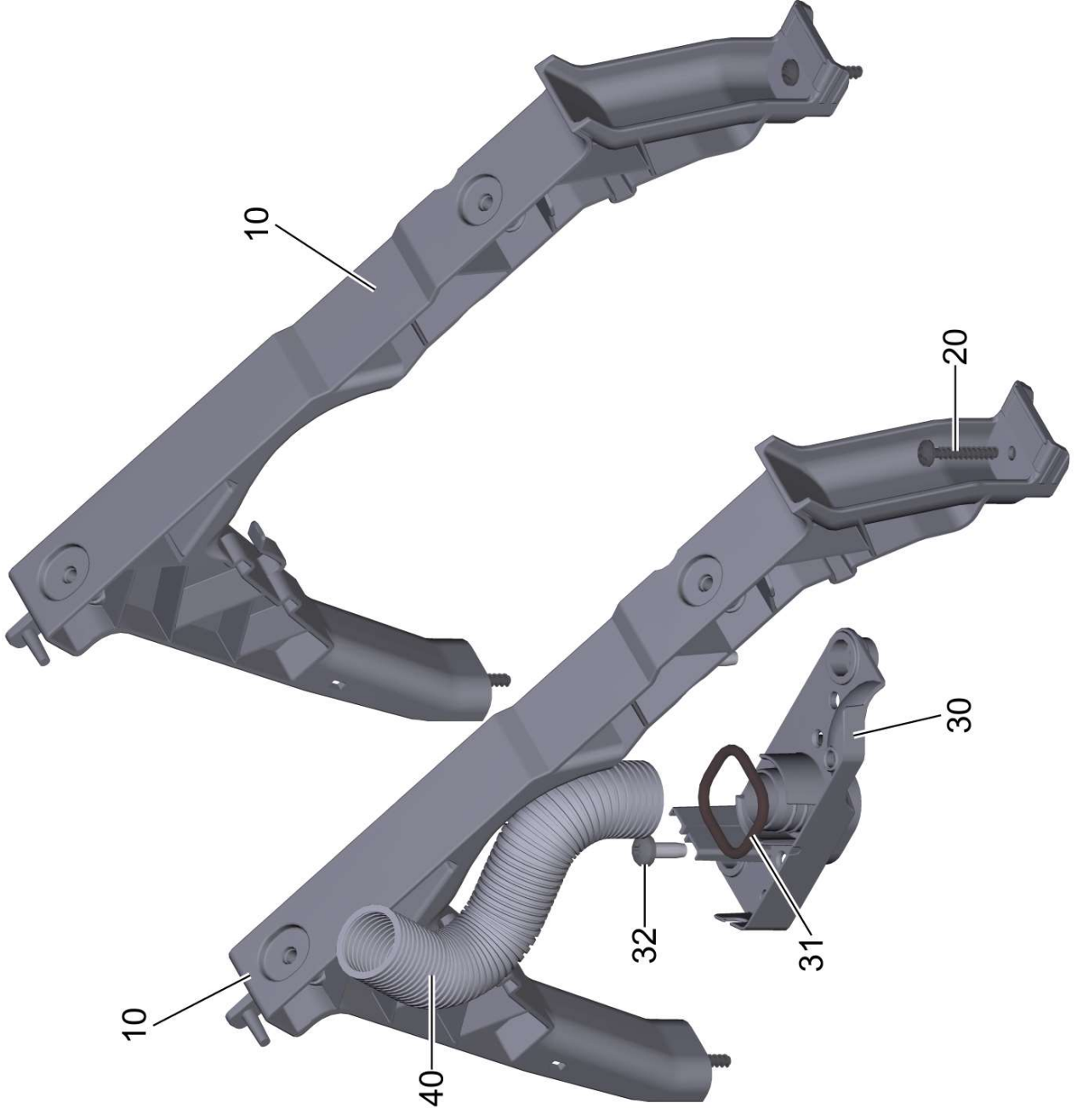
151 Chemistry valve assembly Baugruppe

POS	Article no.	Description	Quantity	Unit
30	5.731-638.0	Filter with weight	2	PC
40	6.391-341.0	Hose chemistry DN 6	4.870	m
10	5.132-195.0	Plug aspiration chemistry	2	PC



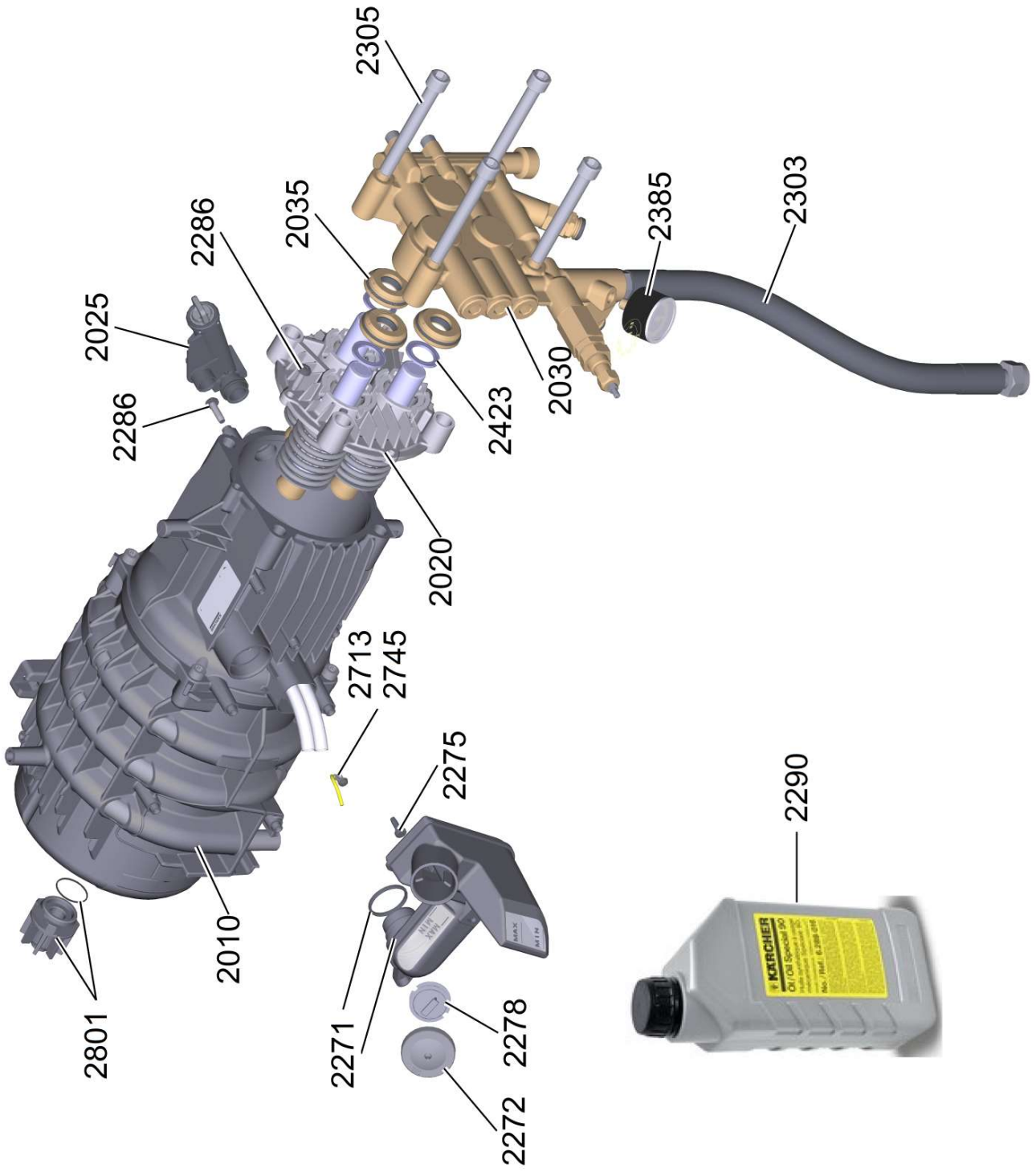
300 Electric control box HDS Next

POS	Article no.	Description	Quantity	Unit
2734	4.101-165.0	Cable set	1	PC
2751	6.641-458.0	Cable tape nature 4,6x150mm	1	PC
2730	6.651-979.3	Cable with plug 4x1,5mm²	1	PC
3010		Connection cable for ignition transforme	1	PC
2625	6.632-356.0	Contacteur LC1-D18 B7	1	PC
2650	6.622-364.3	Control transformer	1	PC
2604	4.101-164.0	Cover plate electric control box cpl.	1	PC
2617	5.045-307.3	Distance holder	1	PC
2645	4.051-413.3	Frame circuit board cpl. HDS Next M/S 3	1	PC
2817	6.473-552.3	Fuel pump	1	PC
2610	5.324-233.0	Handle	1	PC
2611	5.324-172.0	Handle qusty grey RAL 7037	1	PC
2601	5.060-265.3	Housing electric control box for replacement open side	1	PC
3010	6.622-369.3	Ignition transformer electronic 400 V	1	PC
3000	4.747-034.3	Level probe	1	PC
2690	6.641-270.0	Plug	1	PC
2760	5.034-494.0	Retaining bracket	2	PC
2712	7.303-106.0	Screw 4x12-10.9-R2R (In6Rd)	3	PC
2710	7.303-108.0	Screw 5x20-10.9-R2R (In6Rd)	4	PC
2711	7.303-112.0	Screw 6x20 -10.9-R2R (In6Rd)	4	PC
3025	4.686-030.0	Solenoid valve only for replacement	1	PC
2695	6.643-017.0	Strip terminal 3 connections 0,14 - 4 mm	2	PC
2640	4.744-026.3	Switch complete	1	PC
2641	4.744-027.3	Switch complete	1	PC
2621	6.631-104.3	Switch program selection for replacement	1	PC
2642	6.630-423.0	Switch service	1	PC
3030	4.071-792.3	Tank kpl.	1	PC
2676	4.686-031.0	Thermostat only for replacement	1	PC
2678	4.686-029.0	Thermostat only for replacement	1	PC



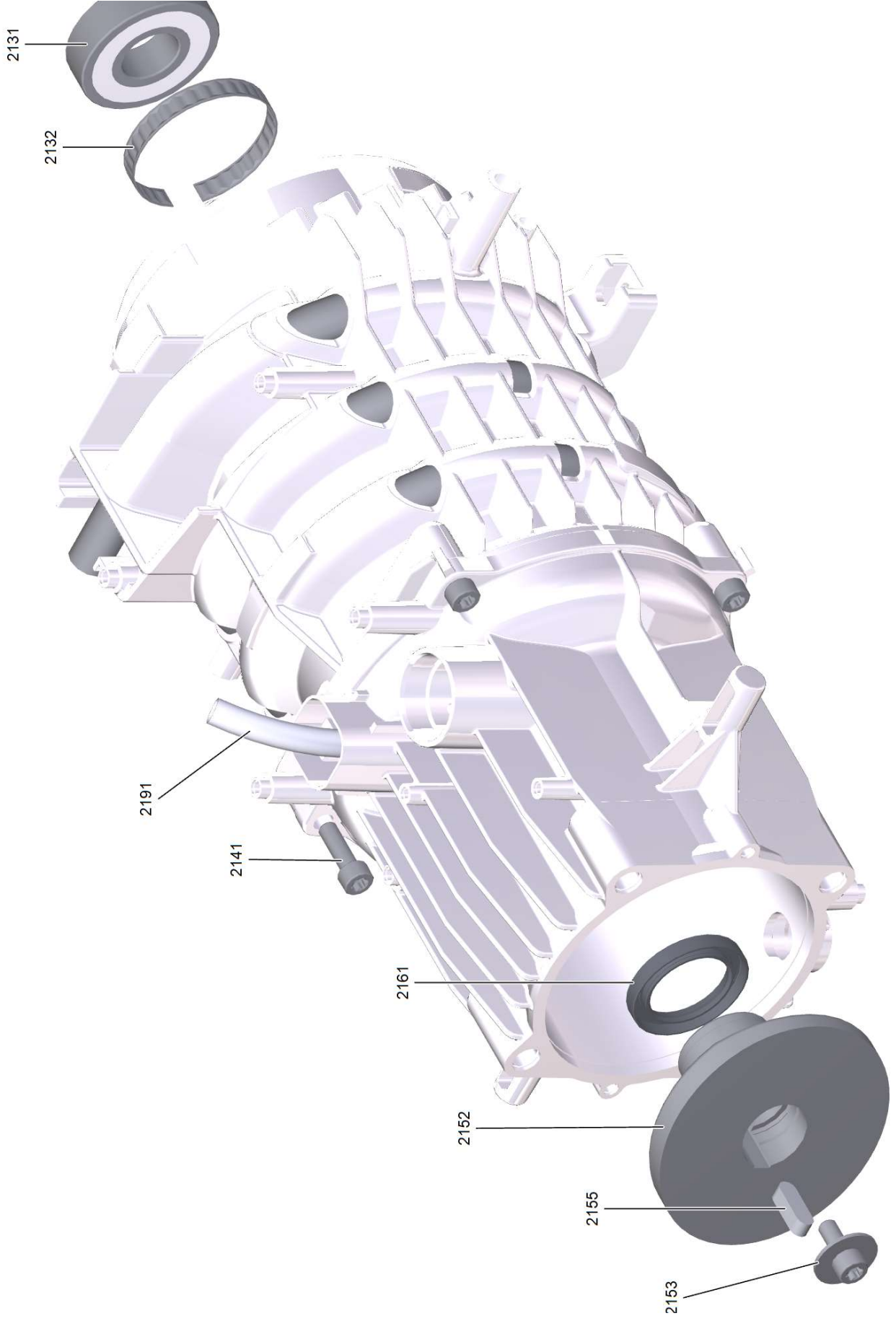
301 Electrical box assembly group HDS-M/S Next

POS	Article no.	Description	Quantity	Unit
30	5.059-299.0	Holder kabel	1	PC
31	6.362-193.0	O-Ring seal 31,5x4	1	PC
40	6.642-439.0	Protection hose cable	1	PC
10	5.802-021.0	Retainer electrical box	2	PC
20	7.303-086.0	Screw 5x30-10.9-R2R (K-In6Rd)	4	PC
32	7.303-047.0	Screw M6x16 -5t-R3R (In6Rd)	2	PC



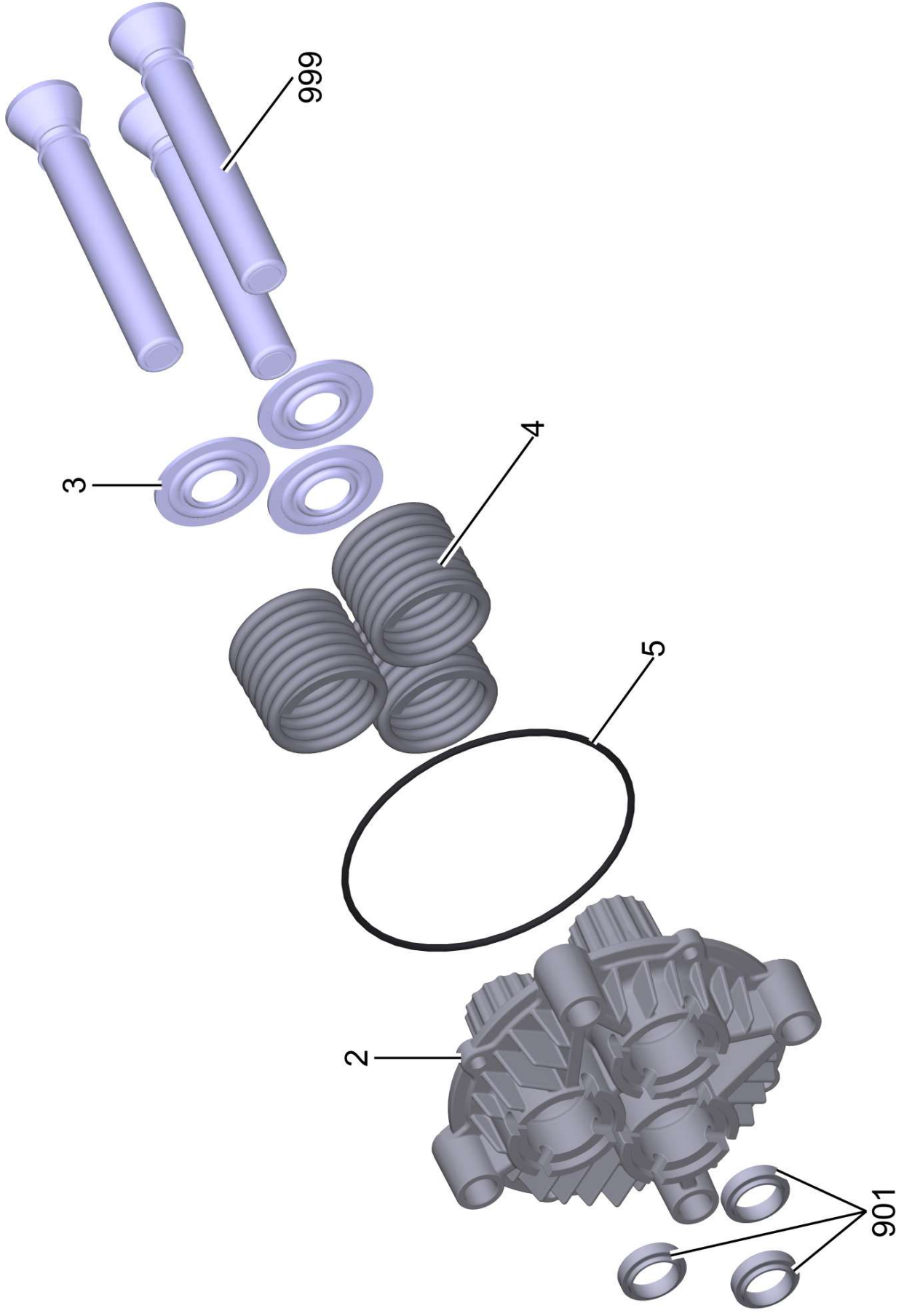
500 Motor pump HDS 9/20-4 M EU 62W1528

POS	Article no.	Description	Quantity	Unit
2801	4.101-141.0	Adapter short cpl.	1	PC
2035		Bush low-pressure cpl. D20	3	PC
2745	4.820-578.0	Cable green/yellow 1,5mm ² x450mm	1	PC
2278	5.063-042.0	Cover plate oil box	1	PC
2272	5.064-457.0	Cover plate qusty grey oil	1	PC
2030		Cylinder head cpl. 62 20 HDS	1	PC
2305	7.306-155.0	Cylinder head screw M12x100 -8.8-A3E IS	4	PC
2290	6.288-016.0	Gear oil 1L	1	PC
2303	6.391-629.0	High pressure hose DN 13	1	PC
2271	4.101-077.0	Oil container cpl.	1	PC
2025	4.444-132.0	Oil drain connection piece cpl.	1	PC
2020		Piston guidance cpl. 62 20	1	PC
2385	4.422-990.0	Pressure gauge complete only for replace	1	PC
2713	7.303-031.0	Screw M4x10 -St-P2R (In6Rd)	1	PC
2275	6.303-153.0	Screw M5x15-ST-R2R (IN6RD)	2	PC
2203	7.303-048.0	Screw M6x20 -St-R3R (In6Rd)	2	PC
2286	7.303-048.0	Screw M6x20 -St-R3R (In6Rd)	1	PC
2010	4.624-498.3	Transmission 62 W 15 28	1	PC
2423	5.115-538.0	Washer	3	PC



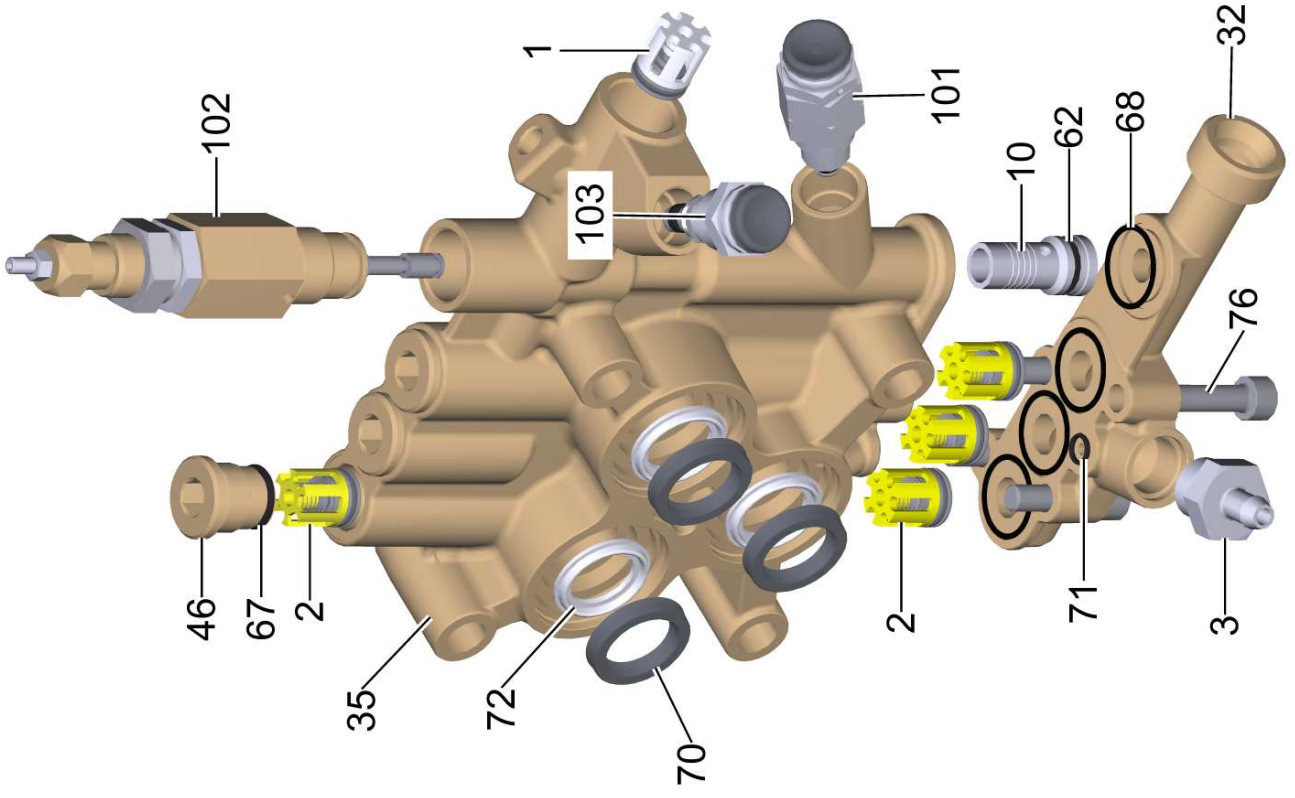
2010 Transmission 62 W 15 28 (4.624-498.3)

POS	Article no.	Description	Quantity	Unit
2131	6.401-253.0	Ball bearing 6305-2Z	1	PC
2141	7.306-166.0	Cylinder head screw M8x25 -8.8-A2E ISO 14579	4	PC
2191	6.642-043.0	Insulating hose 10	1	m
2155	7.318-035.0	Parallel key 8x7x25 -C45K DIN 6885-1	1	PC
2161	7.367-009.0	Radial shaft seal ring A35x52x7-NBR DIN	1	PC
2153	6.303-173.0	Screw with washer M8x20 D28	1	PC
2132	6.343-010.0	Tolerance ring 62x10	1	PC
2152	5.120-039.0	Wobble plate 11,55mm / 10°33'	1	PC



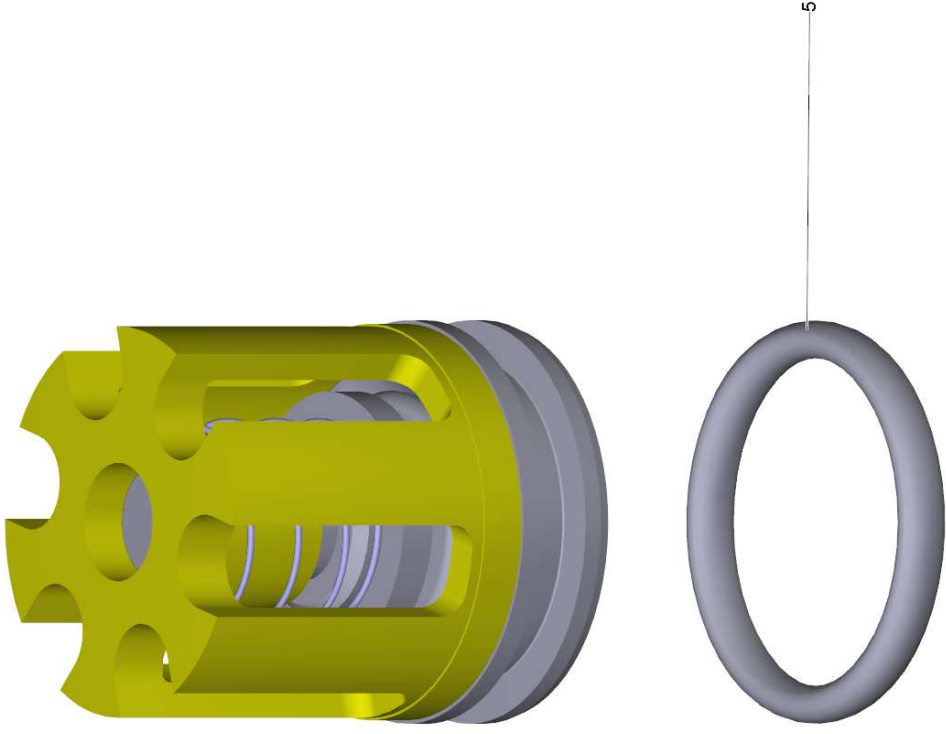
2020 Piston guidance cpl. 62 20

POS	Article no.	Description	Quantity	Unit
4	5.332-187.0	Helical spring	3	PC
5	6.363-228.0	O-Ring seal 114 x 3	1	PC
901		Part at pump set	1	PC
999	4.553-290.3	Piston complete D20	3	PC
2	5.060-936.3	Thrust guidance D 20	1	PC
3	5.115-991.0	Washer	3	PC



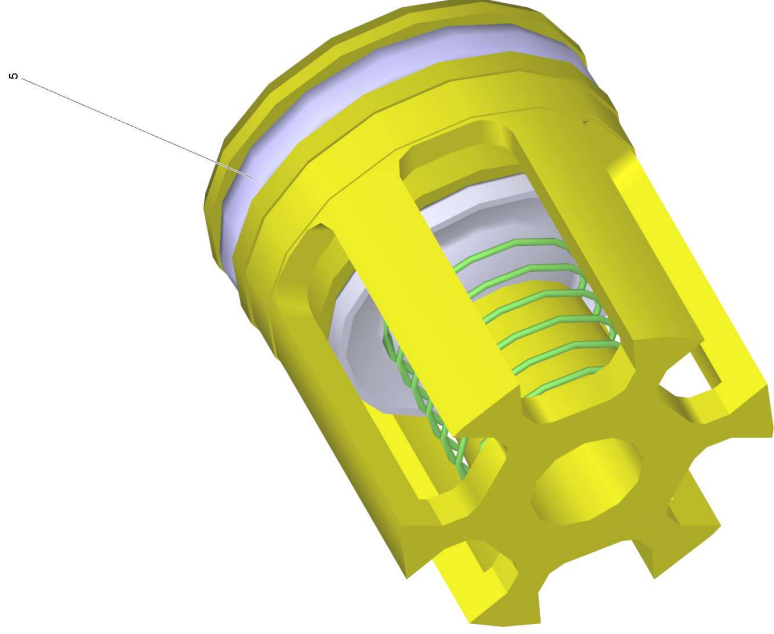
2030 Cylinder head cpl. 62 20 HDS

POS	Article no.	Description	Quantity	Unit	Foot note text
101	2.885-894.3	Control piston complete replacement	1	PC	
103	2.885-898.3	Control piston complete replacement	1	PC	
35	5.550-058.3	Cylinder head 62 20 HDS	1	PC	
76	7.306-043.0	Cylinder head screw M8x30 - 8.8-A2E ISO	4	PC	
102	2.885-895.3	Excess-current complete	1	PC	
70	6.365-377.0	Grooved ring 20x30x6	3	PC	
32	5.427-418.0	Manifold water intake	1	PC	
71	6.362-703.0	O-Ring seal 6,0x1,5-NBR 70	1	PC	
62	6.362-381.0	O-Ring seal 13x2 - NBR 70	1	PC	
67	6.362-481.0	O-Ring seal 14,0 x 2,0 NBR 80	3	PC	
68	6.363-536.0	O-Ring seal 21x1,5	4	PC	
10	5.100-713.0	Sleeve	1	PC	BRASS CONSTRUCTION
10	5.100-714.0	Sleeve	1	PC	STAINLESS STEEL CONSTRUCTION
100	2.885-034.0	Spare part set pump	1	PC	
72	6.365-378.0	Supportring 20x30x4,2	1	PC	
2	2.884-512.0	Valve (3 Stueck)	2	PC	
1	4.580-594.0	Valve complete	1	PC	
3	4.580-581.3	Valve complete	1	PC	
46	5.583-146.3	Valve screw	3	PC	



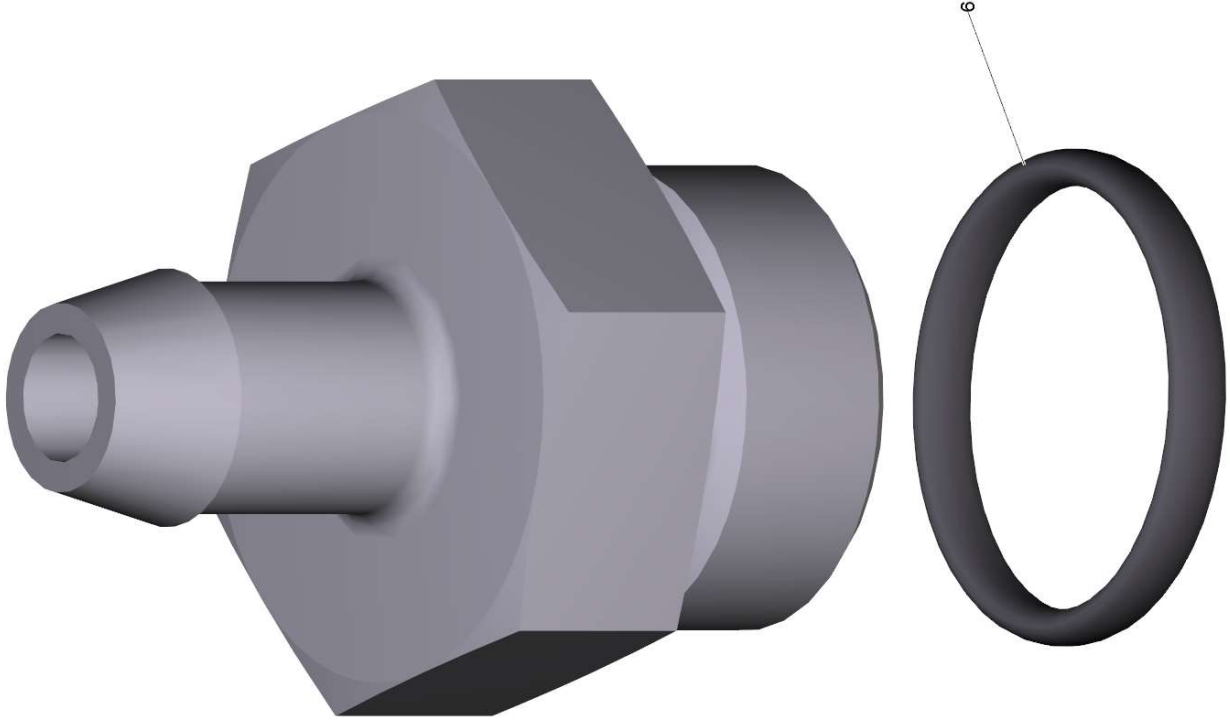
1 Valve complete (4.580-594.0)

POS	Article no.	Description	Quantity	Unit
5	6.362-381.0	O-Ring seal 13x2 - NBR 70	1	PC



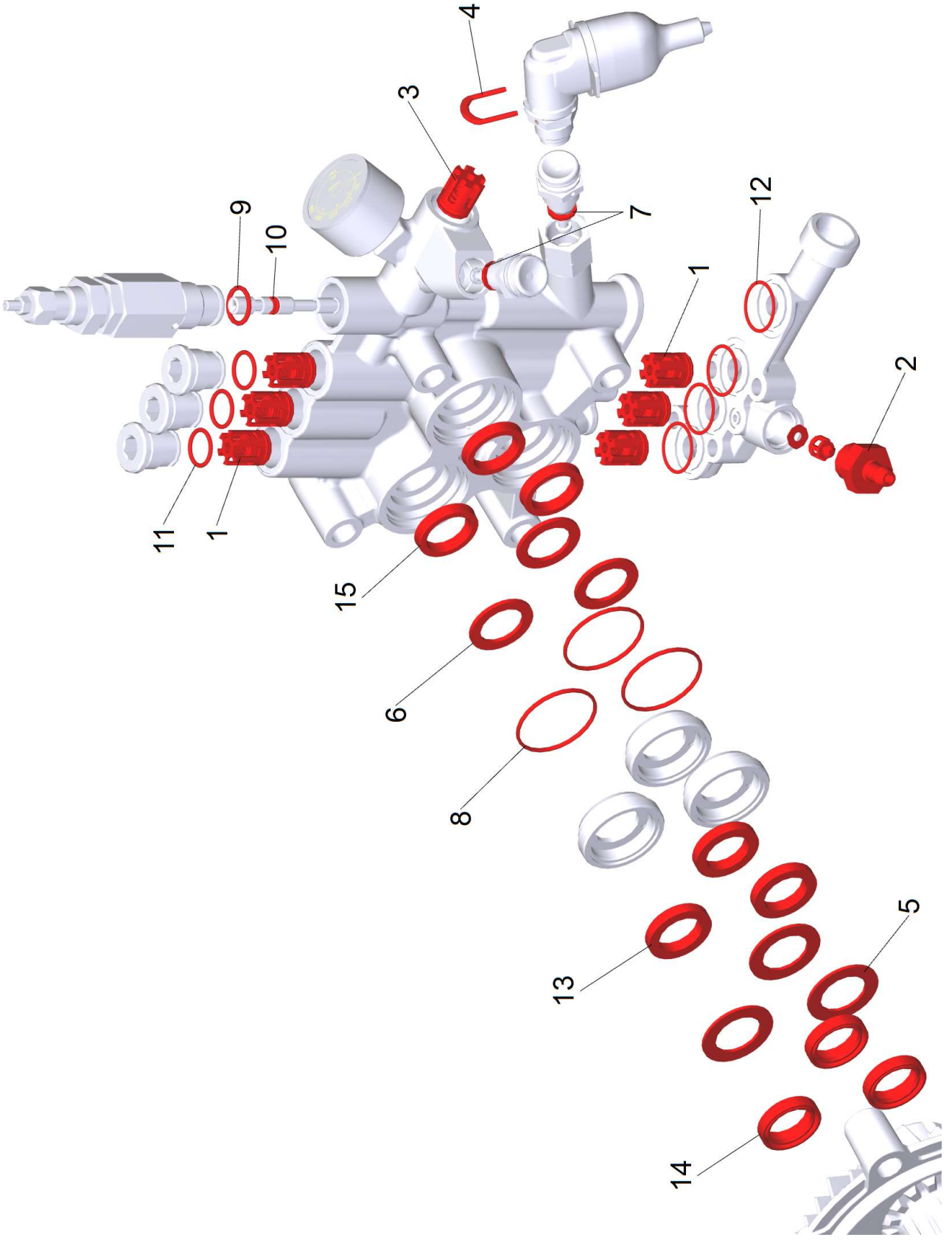
2 Valve (3 Stueck) (2.884-512.0)

POS	Article no.	Description	Quantity	Unit
5	6.363-003.0	O-Ring seal 13,0 X 2,0-NBR 90	1	PC



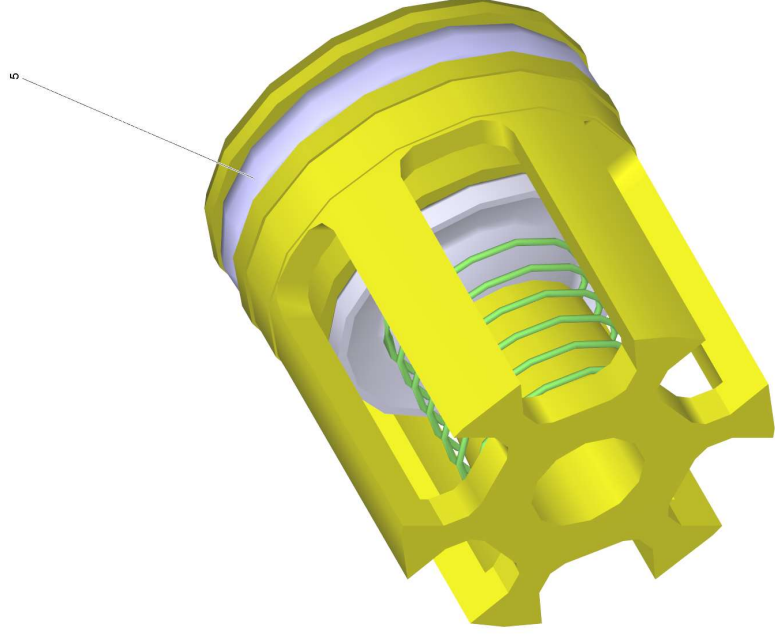
3 Valve complete (4.580-581.3)

POS	Article no.	Description	Quantity	Unit
6	6.362-427.0	O-Ring seal 15,0x2,0	1	PC



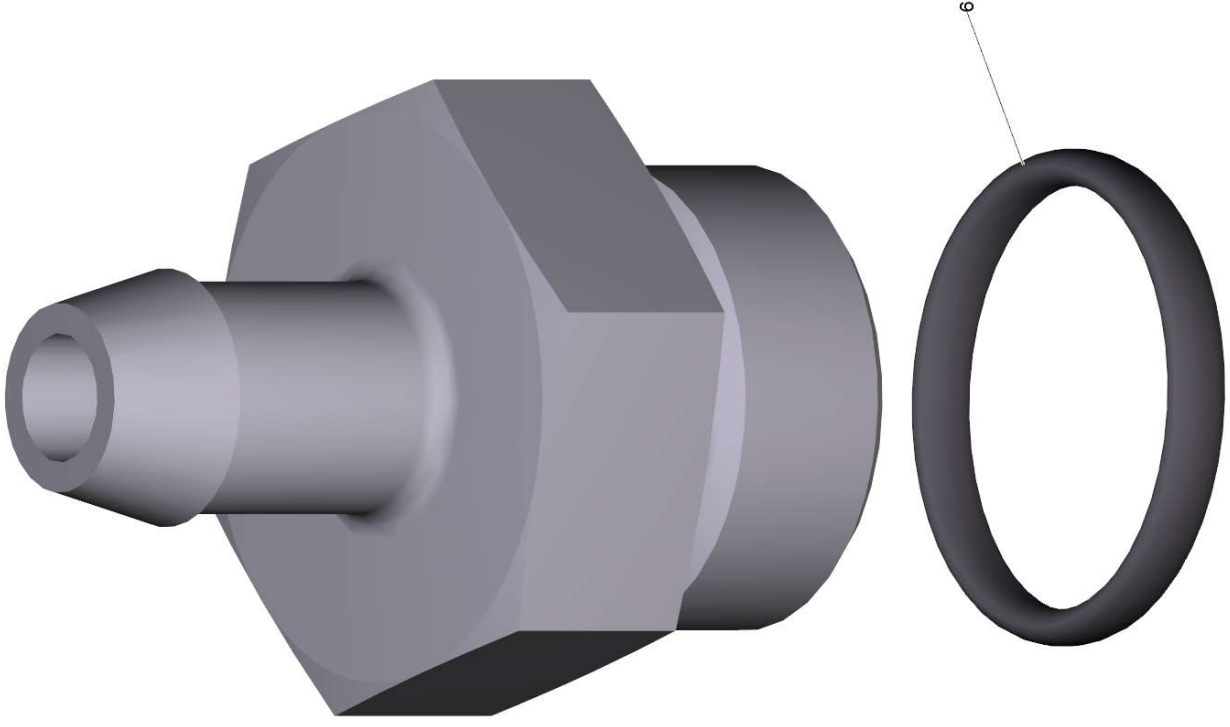
100 Spare part set pump (2.885-034.0)

POS	Article no.	Description	Quantity	Unit
13	6.365-053.0	Compact seal 20X30X6	3	PC
14	6.365-377.0	Grooved ring 20x30x6	3	PC
11	6.362-481.0	O-Ring seal 14,0 x 2,0 NBR 80	3	PC
9	6.362-427.0	O-Ring seal 15,0x2,0	1	PC
12	6.362-507.0	O-Ring seal 20,0 X 1,3	4	PC
	Item text1: replaced by 6.362-547.0			
12	6.362-547.0	O-Ring seal 20,0x1,5-NBR 70	4	PC
	Item text1: successor of 6.362-507.0			
8	6.362-092.0	O-Ring seal 36,0 X 2,0-NBR 70	3	PC
10	6.362-468.0	O-Ring seal complete 1ST.-R.	1	PC
4	5.034-494.0	Retaining bracket	2	PC
15	6.365-378.0	Supportring 20x30x4,2	3	PC
1	2.884-512.0	Valve (3 Stueck)	2	PC
2	4.580-581.3	Valve complete	1	PC
3	4.580-594.0	Valve complete	1	PC
5	5.115-537.0	Washer	3	PC
6	5.115-538.0	Washer	3	PC
7	5.115-796.0	Washer	2	PC



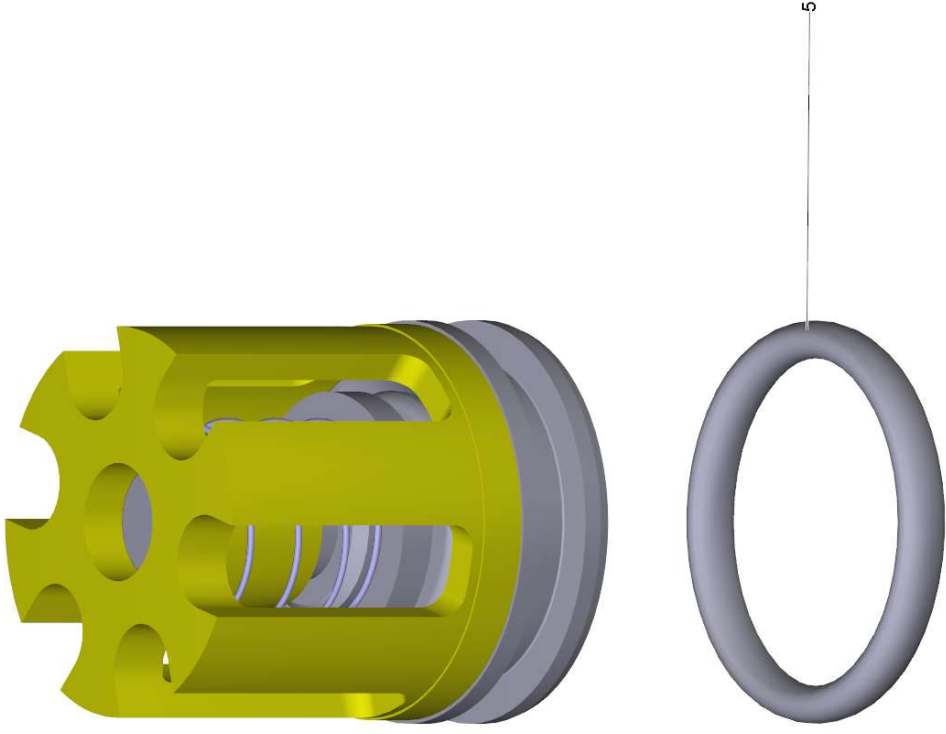
1 Valve (3 Stueck) (2.884-512.0)

POS	Article no.	Description	Quantity	Unit
5	6.363-003.0	O-Ring seal 13,0 X 2,0-NBR 90	1	PC



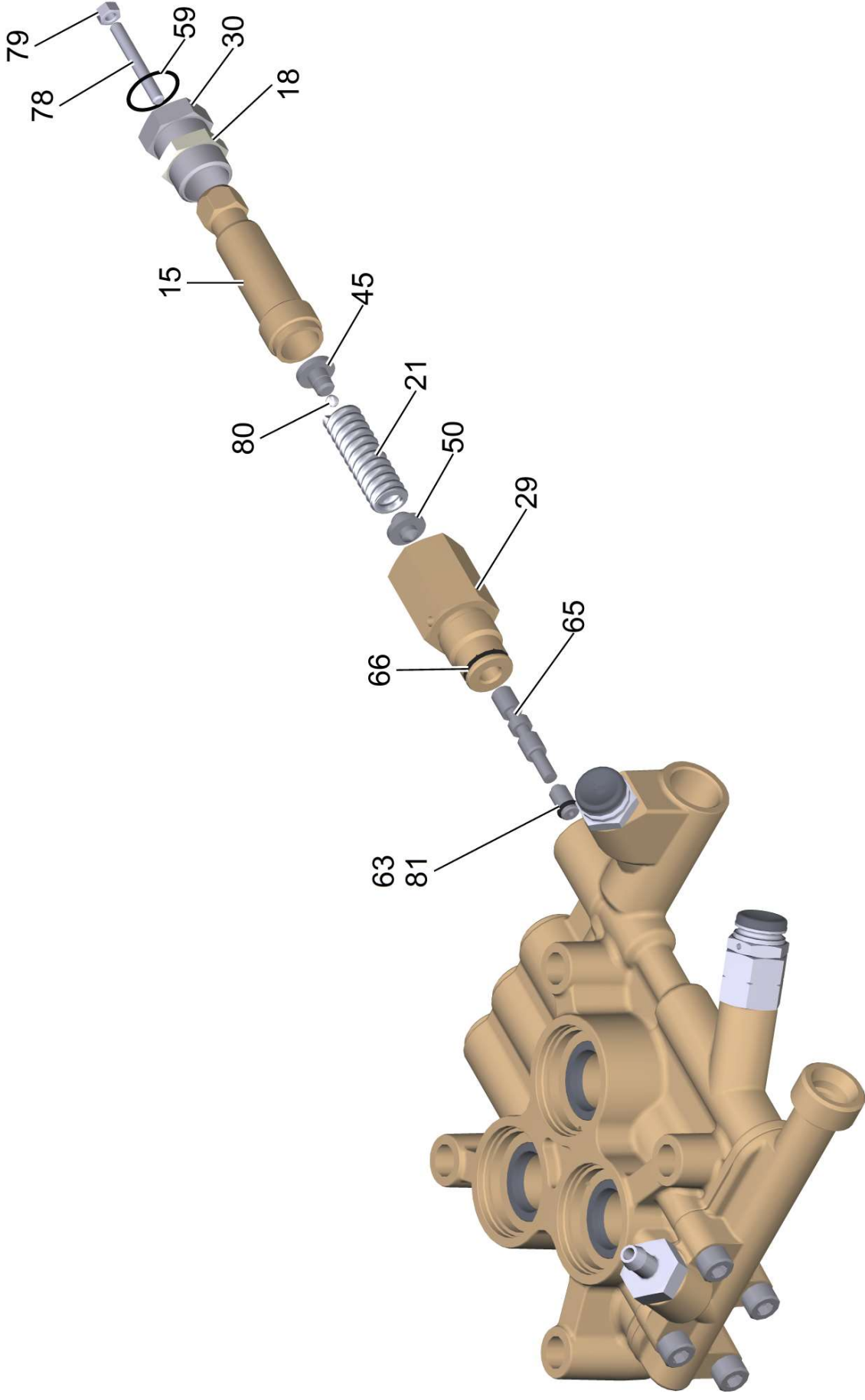
2 Valve complete (4.580-581.3)

POS	Article no.	Description	Quantity	Unit
6	6.362-427.0	O-Ring seal 15,0x2,0	1	PC



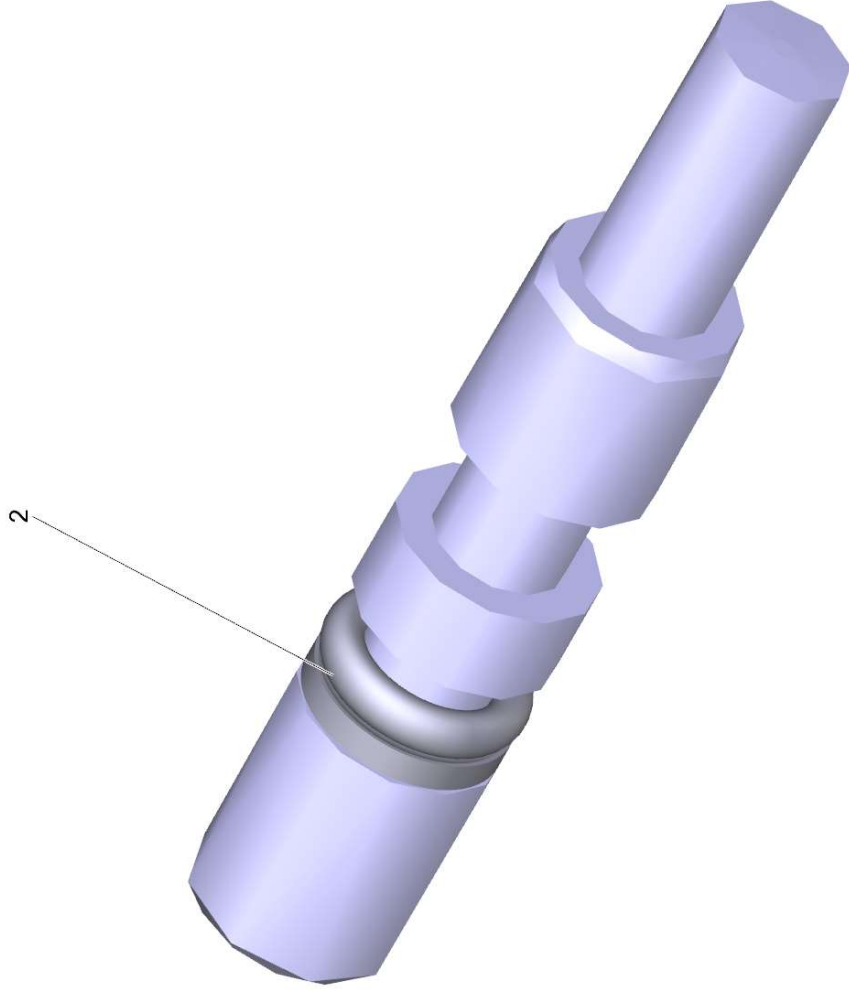
3 Valve complete (4.580-594.0)

POS	Article no.	Description	Quantity	Unit
5	6.362-381.0	O-Ring seal 13x2 - NBR 70	1	PC



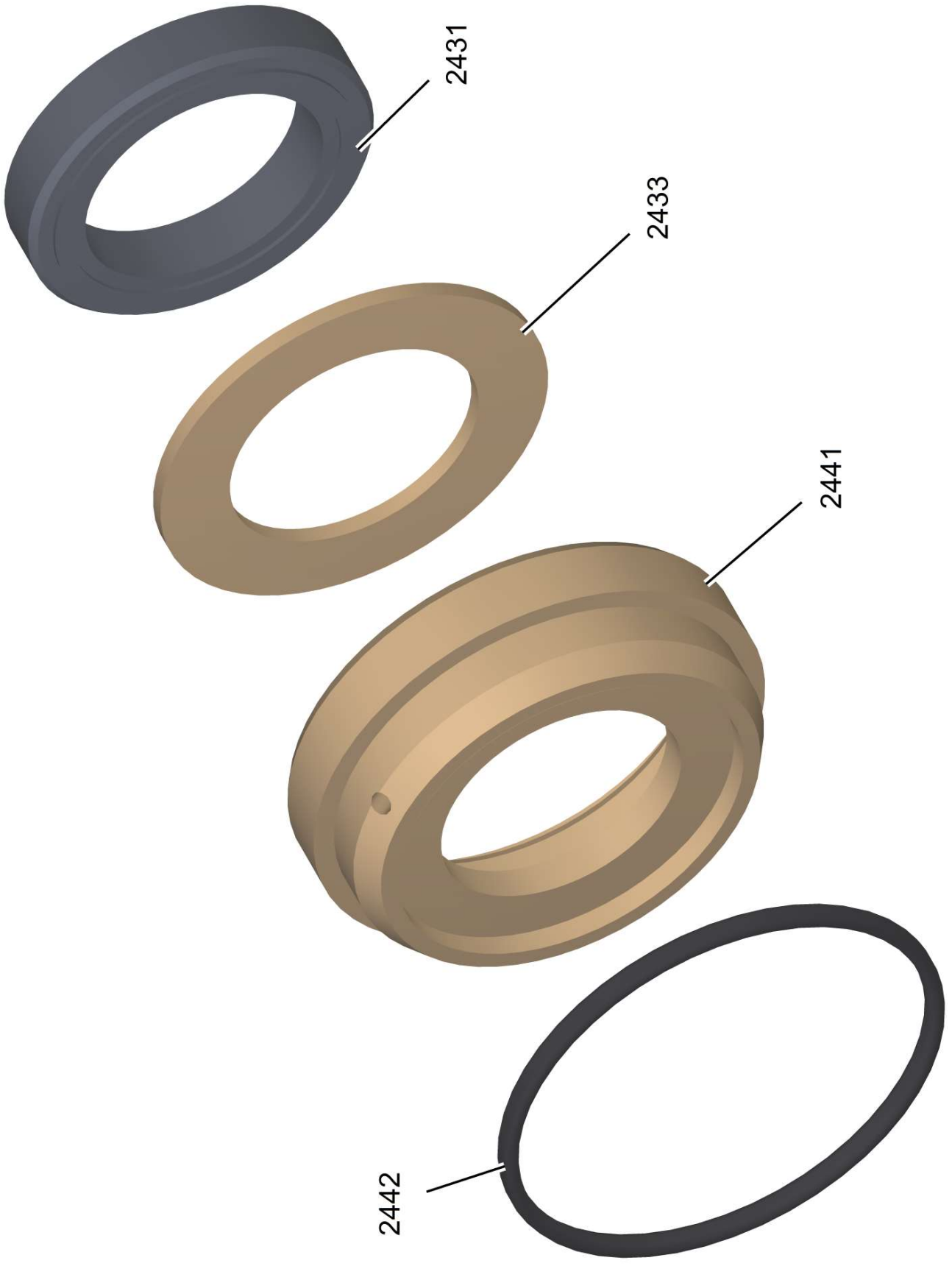
102 Excess-current complete (2.885-895.3)

POS	Article no.	Description	Quantity	Unit
29	5.402-746.0	Connection piece	1	PC
21	5.332-444.0	Helical spring	1	PC
15	5.304-070.0	Hexagonal head screw	1	PC
79	7.311-002.0	Hexagon nut M5 -6-A2E ISO 4032	1	PC
18	5.311-204.0	Hexagon nut M22x1,5	1	PC
30	5.404-082.0	Hollow screw	1	PC
63	6.362-386.0	O-Ring seal 5,0 x 1,5-NBR 80	1	PC
66	6.362-427.0	O-Ring seal 15,0x2,0	1	PC
59	6.362-079.0	O-Ring seal 18,0 X 2,5	1	PC
65	4.553-287.0	Piston complete	1	PC
80	7.401-931.0	Sphere 5 Kl3 -1.4401 DIN 5401	1	PC
78	7.307-017.0	Threaded pin M5x40-St-45H-A2E ISO 4026	1	PC
45	5.582-121.0	Valve disc	1	PC
50	5.584-114.0	Valve pin	1	PC
81	5.581-239.0	Valve seat	1	PC



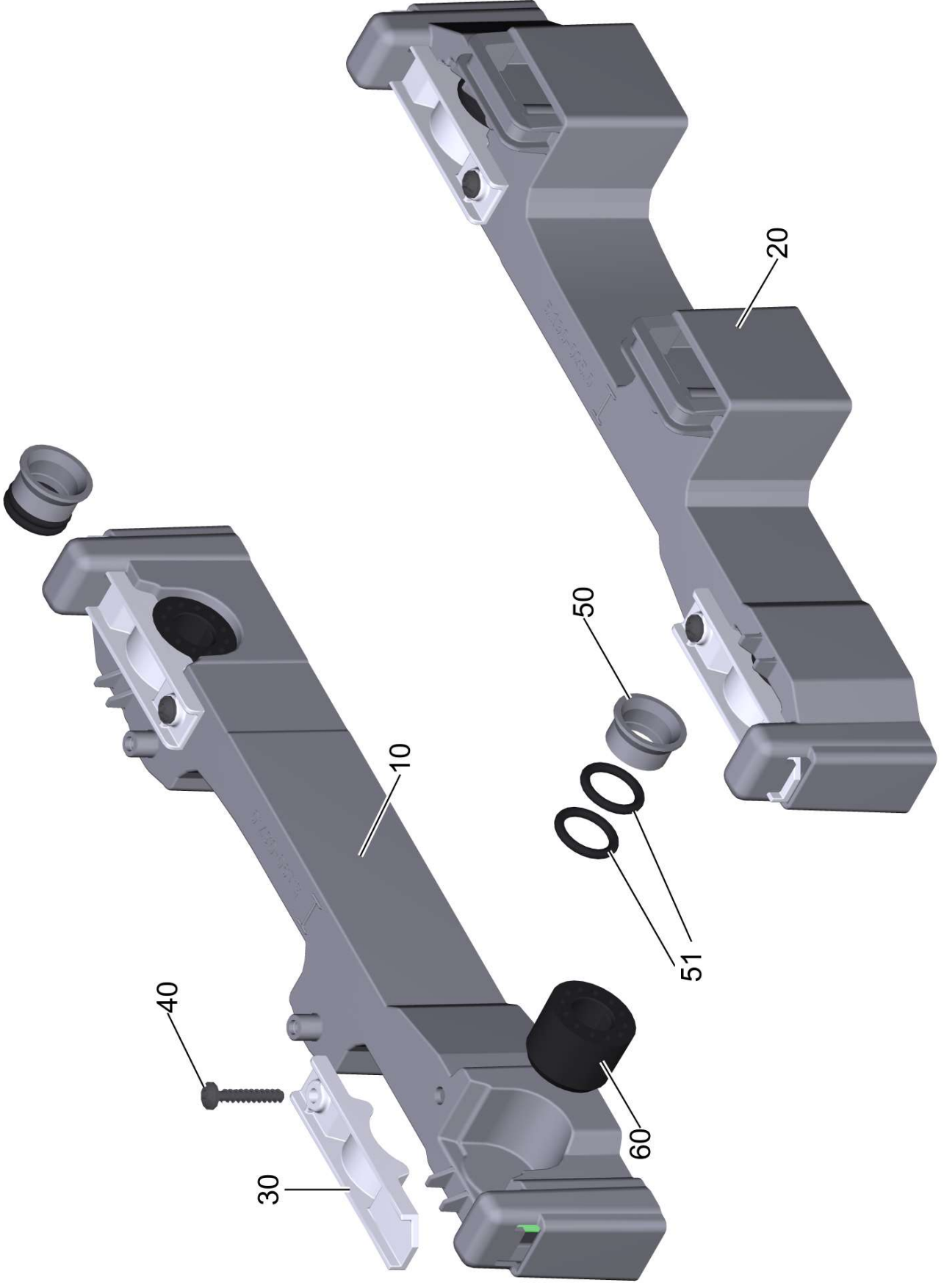
65 Piston complete (4.553-287.0)

POS	Article no.	Description	Quantity	Unit
2	6.362-468.0	O-Ring seal complete 1ST.-R.	1	PC



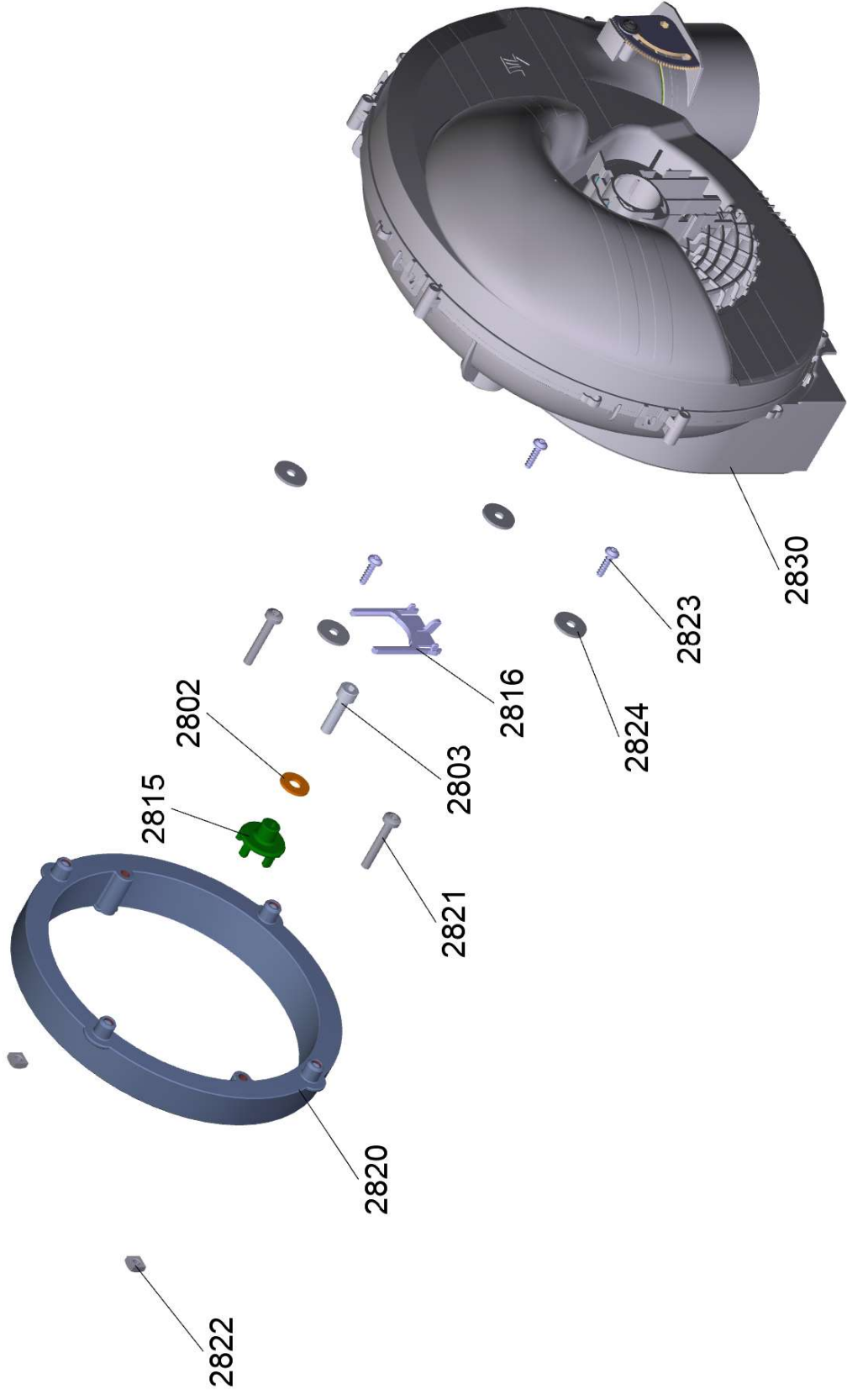
2035 Bush low-pressure cpl. D20

POS	Article no.	Description	Quantity	Unit
2441	5.112-832.0	Bush	1	PC
2431	6.365-053.0	Compact seal 20X30X6	1	PC
2442	6.362-092.0	O-Ring seal 36,0 X 2,0-NBR 70	1	PC
2433	5.115-537.0	Washer	1	PC



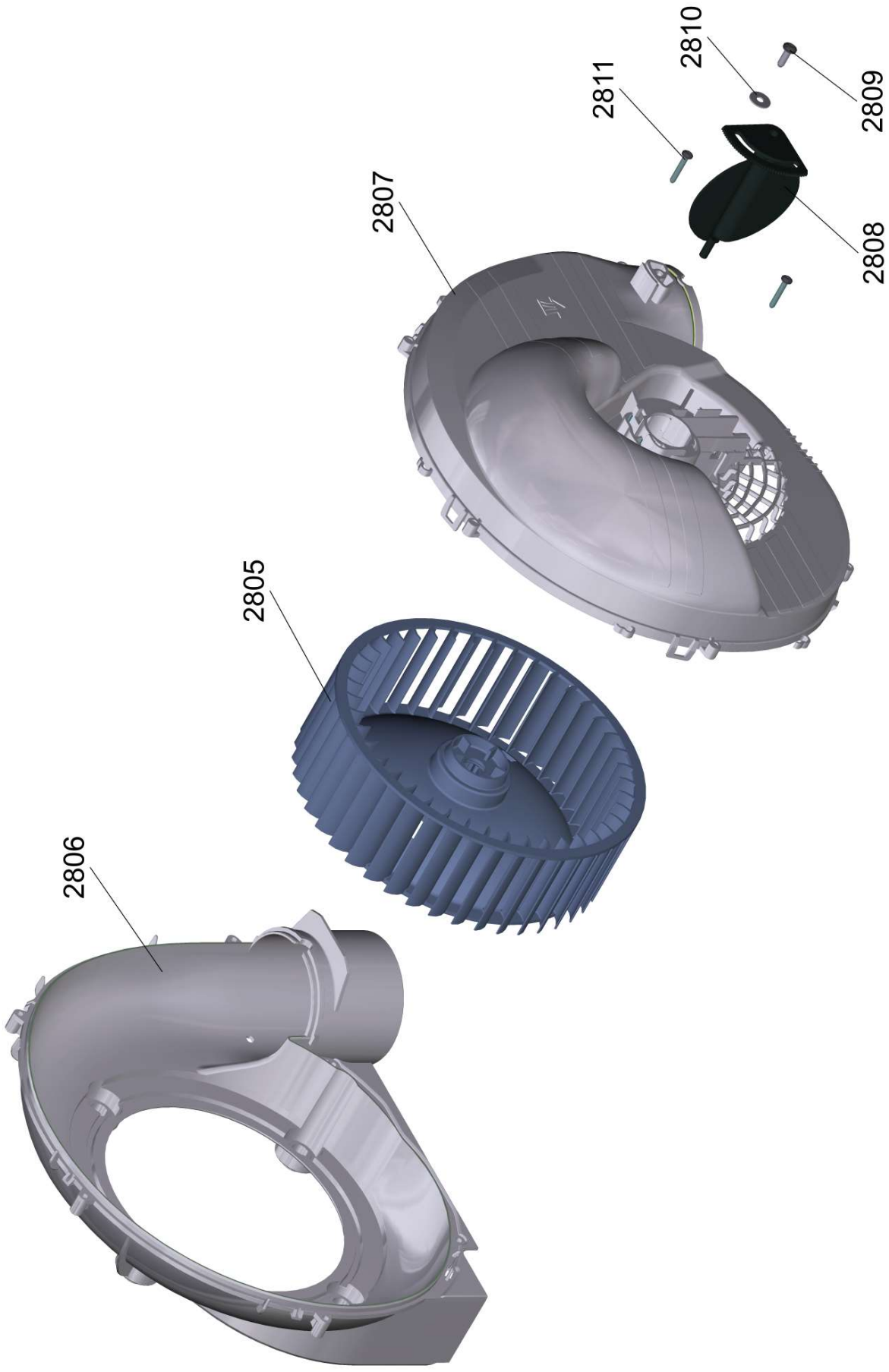
501 Pump assembly assembly group HDS-M/S Next

POS	Article no.	Description	Quantity	Unit
30	5.802-288.0	Mounting part	4	PC
51	6.362-579.0	O-Ring seal 17,5 X 3,5	4	PC
60	5.767-005.0	Rubber buffer	4	PC
40	7.303-086.0	Screw 5x30-10.9-R2R (K-In6Rd)	4	PC
50	5.110-341.0	Sleeve	2	PC
20	5.190-025.0	Strip front pump	1	PC
10	5.190-037.0	Strip rear pump	1	PC



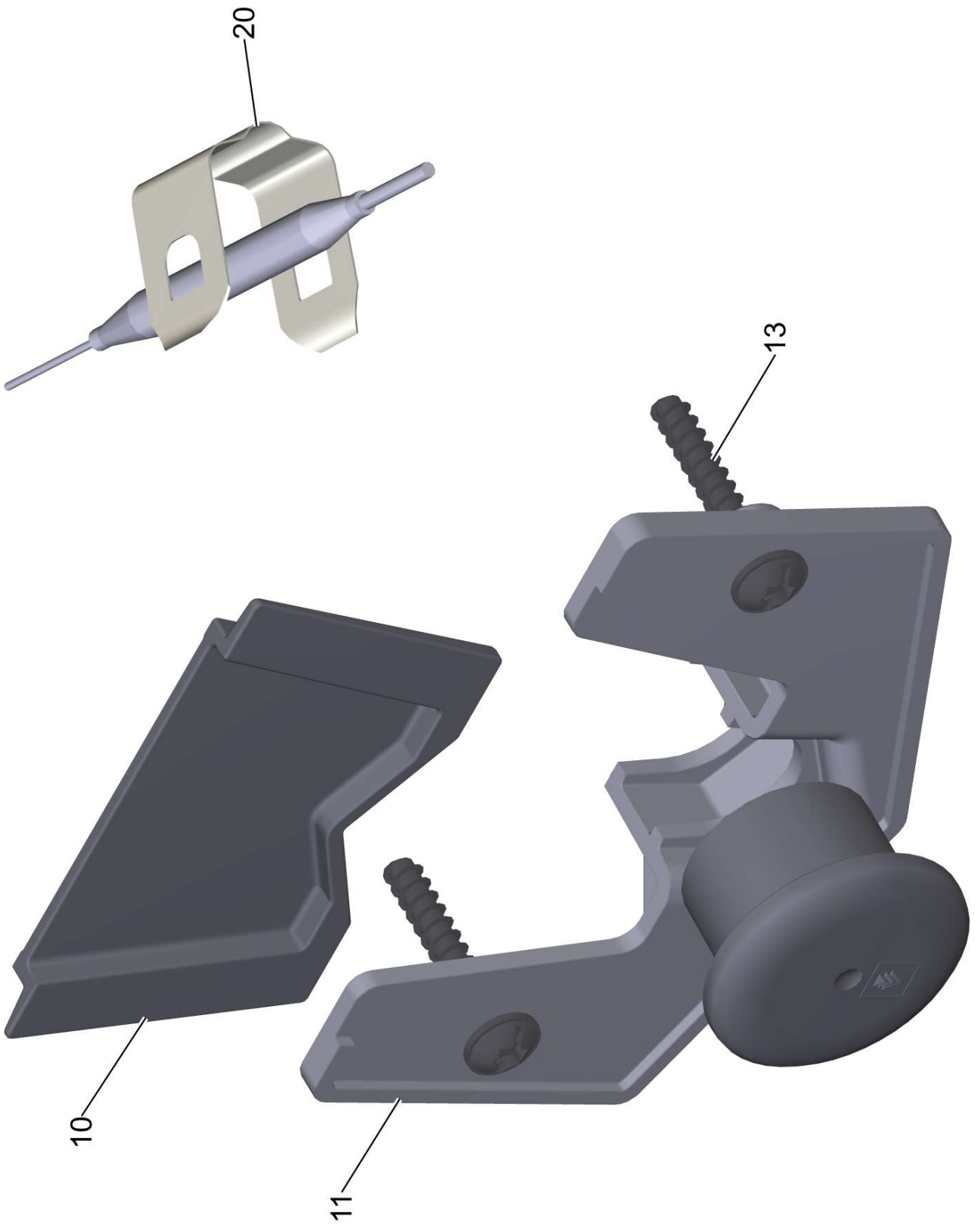
510 Blower kit G2-A

POS	Article no.	Description	Quantity	Unit
2820	5.064-584.0	Adapter ring blower	1	PC
2830		Blower base G2	1	PC
2816	5.263-099.0	Clamp	1	PC
2815	5.471-097.0	Coupler fuel pump	1	PC
2823	6.303-510.0	Screw 5x20	4	PC
2821	7.306-129.0	Screw M6x40 -8.8-P2R (In6Rd)	2	PC
2803	6.306-008.0	Screw M8x30 - 8.8 ISO 4762 - Precote	1	PC
2822	7.311-571.0	Square nut M6 -05-A2E DIN 557	2	PC
2824	7.312-260.0	Washer 6-100HV-A3E ISO 7094	4	PC
2802	6.997-241.0	Washer 8.4X20X2	1	PC



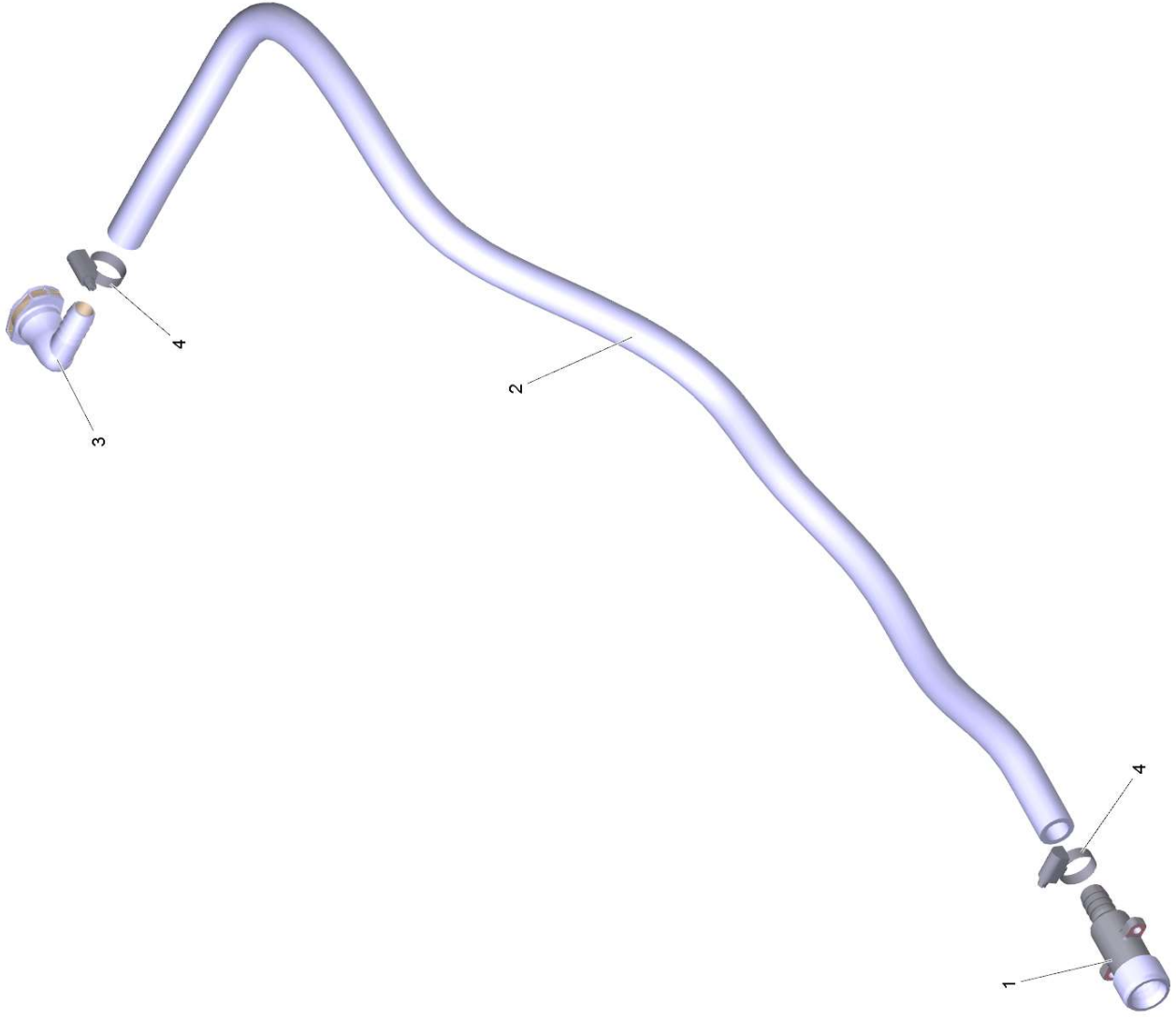
2830 Blower base G2

POS	Article no.	Description	Quantity	Unit
2808	5.606-009.0	Air flap	1	PC
2805	5.600-089.3	Blower wheel G2	1	PC
2807	5.064-603.3	Cover plate blower G2	1	PC
2806	5.605-446.3	Housing blower G2/G3	1	PC
2811	7.303-084.0	Screw 4x25-10.9-R2R (K-In6Rd)	2	PC
2809	7.303-107.0	Screw 5x16-10.9-P2R (K-In6Rd)	1	PC
2810	7.312-278.0	Washer 5-200HV-A2E ISO7093-1	1	PC



601 High-pressure outlet assembly group HDS-M/S Next

POS	Article no.	Description	Quantity	Unit
13	7.303-086.0	Screw 5x30-10.9-R2R (K-In6Rd)	2	PC
10	5.263-088.0	Tensioning part	1	PC
11	5.263-087.0	Tensioning part	1	PC
20	5.263-064.0	Tensioning part	1	PC

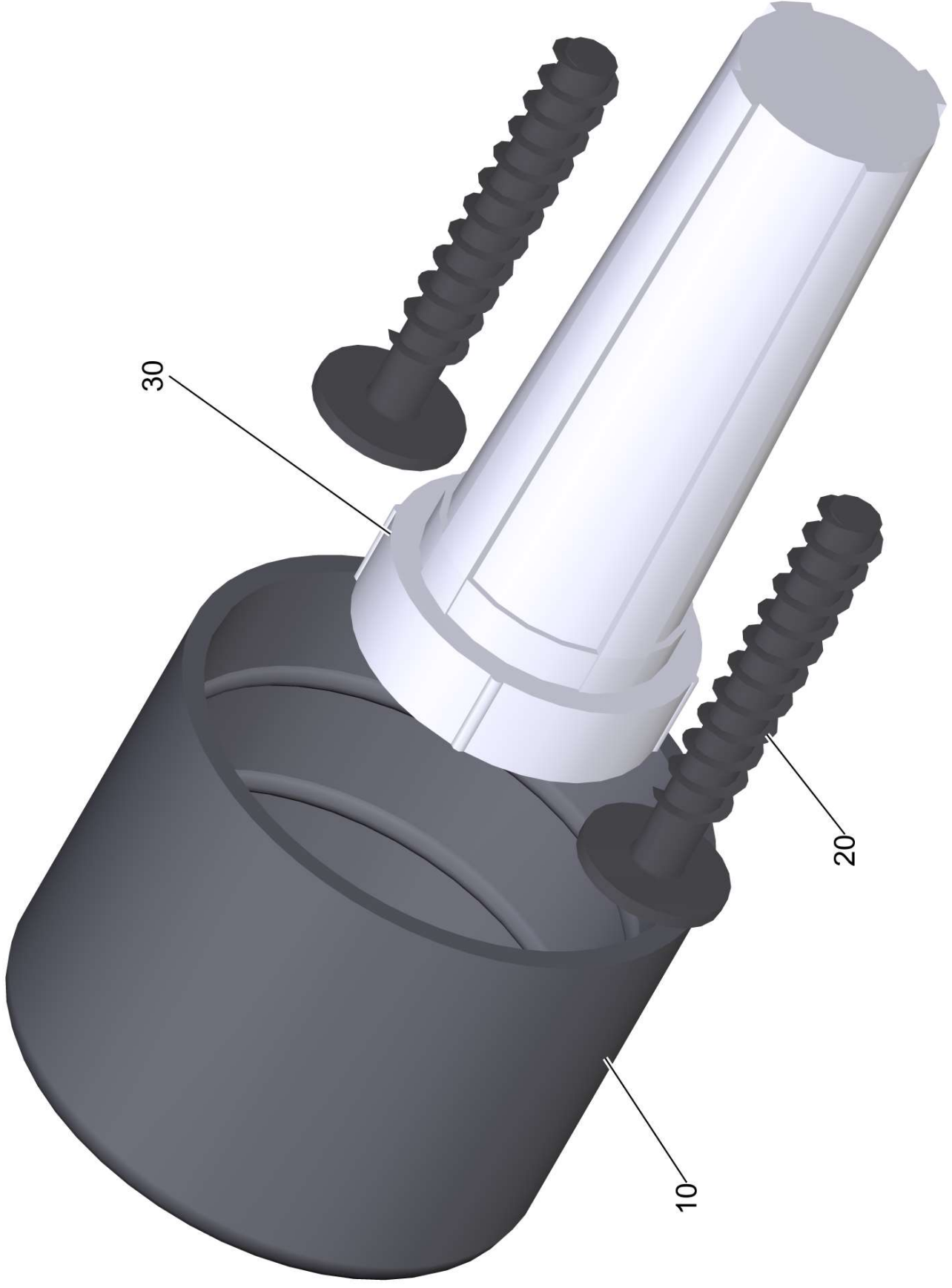


700 Hose water connection 2-Rad (4.440-792.0)

POS	Article no.	Description	Quantity	Unit
4	7.373-022.0	Hose clip A-16-27x9 -W2-2 DIN3017	2	PC
1	5.427-432.0	Manifold	1	PC
3	5.427-415.0	Manifold	1	PC
2		Piece of tube	1	PC

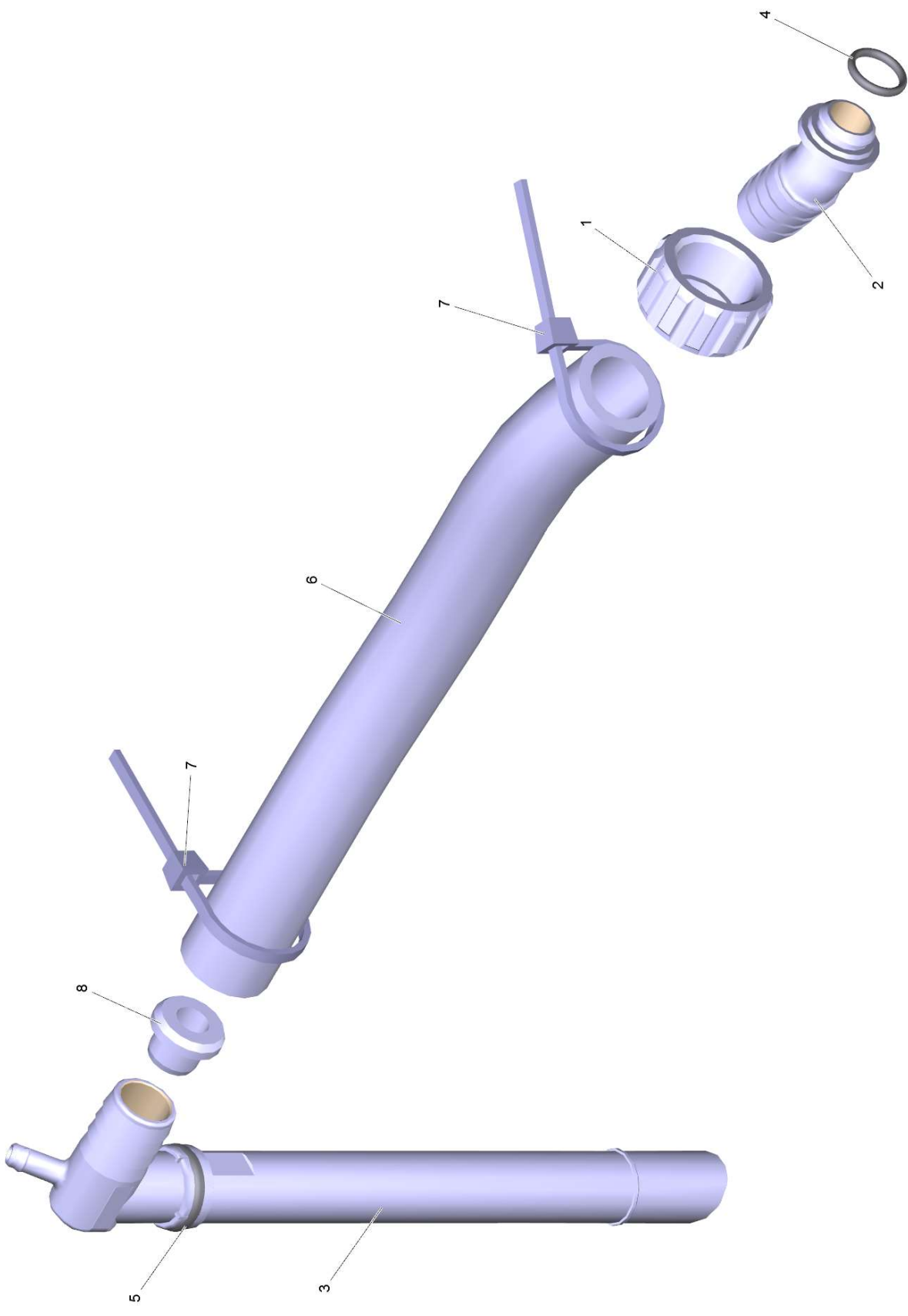
2 Piece of tube

POS	Article no.	Description	Quantity	Unit
1	6.388-719.0	Hose DN17	1,07	m



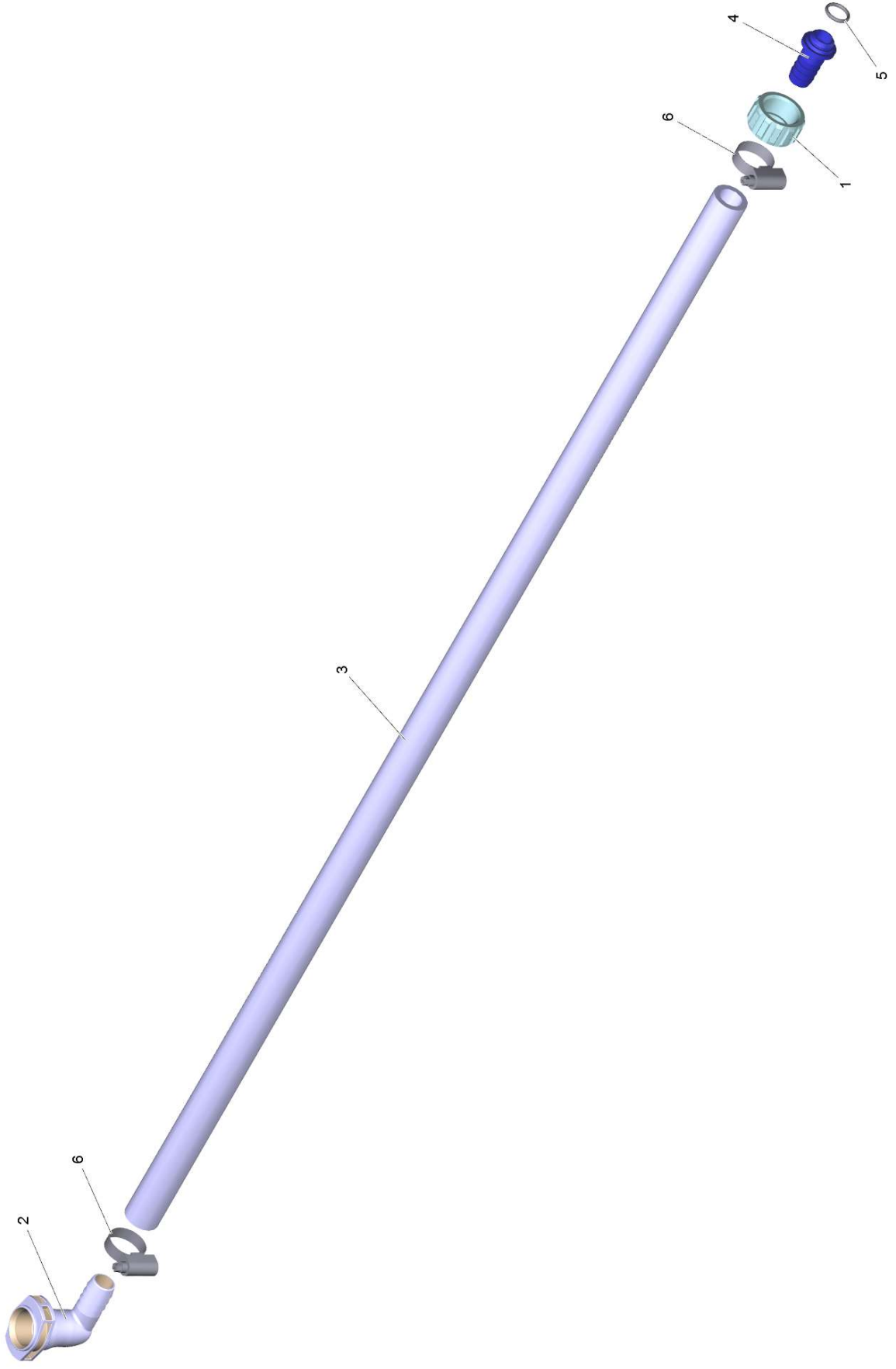
701 Intake assembly assembly group HDS-M/S Next

POS	Article no.	Description	Quantity	Unit
10	6.368-080.0	Protecting cap	1	PC
20	7.303-086.0	Screw 5x30-10.9-R2R (K-In6Rd)	2	PC
30	6.414-141.0	Strainer	1	PC



702 Hose float

POS	Article no.	Description	Quantity	Unit
8	5.112-193.0	Bush	1	PC
7	6.641-474.0	Cable tape 8-210	2	PC
3	5.443-553.0	Connection piece	1	PC
2	5.443-365.0	HOSE STEM (HDS555C)	1	PC
1	5.310-167.0	Nut G 3/4"	1	PC
4	6.362-078.0	O-Ring seal 13,3x2,4	1	PC
5	6.362-161.0	O-Ring seal 19,3 X 2,4	1	PC
6	6.392-258.0	Piece of tube 19x4x280	1	PC

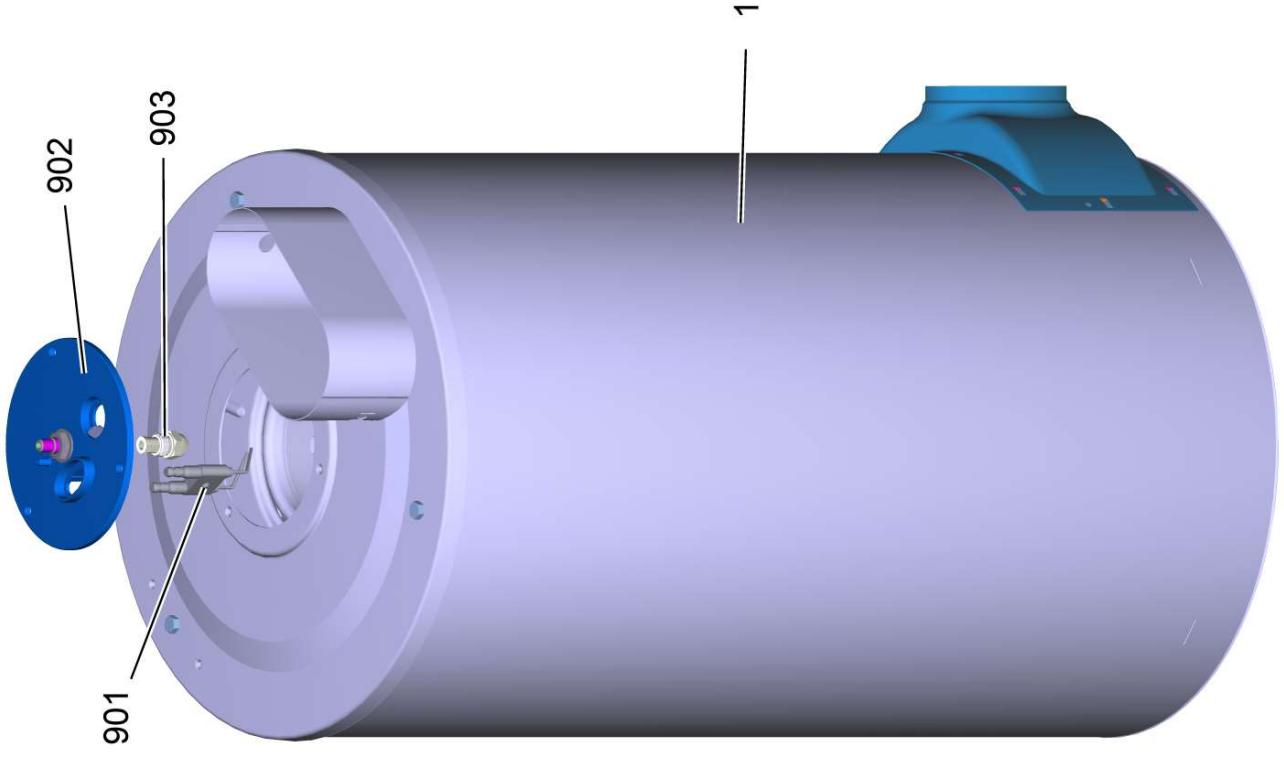


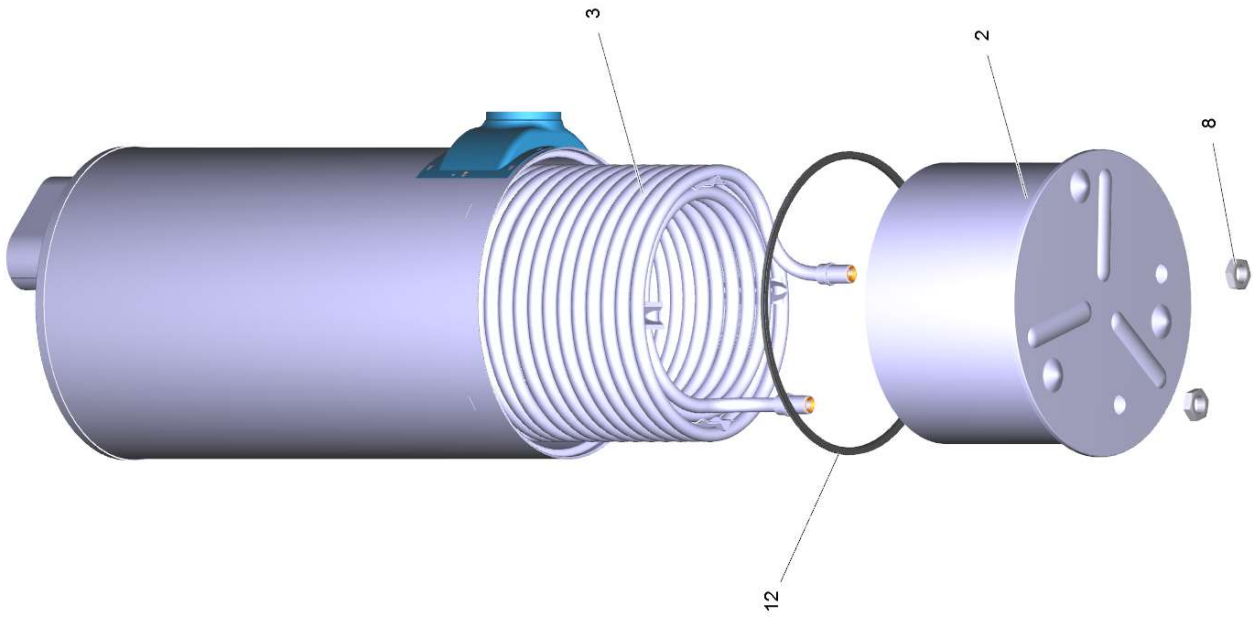
703 Hose float

POS	Article no.	Description	Quantity	Unit
6	7.373-022.0	Hose clip A-16-27x9 -W2-2 DIN3017	2	PC
4	5.443-224.0	Hose stem	1	ZST
2	5.427-415.0	Manifold	1	PC
1	5.310-062.0	Nut	1	PC
5	6.362-078.0	O-Ring seal 13,3x2,4	1	PC
3		Piece of tube	1	PC

3 Piece of tube

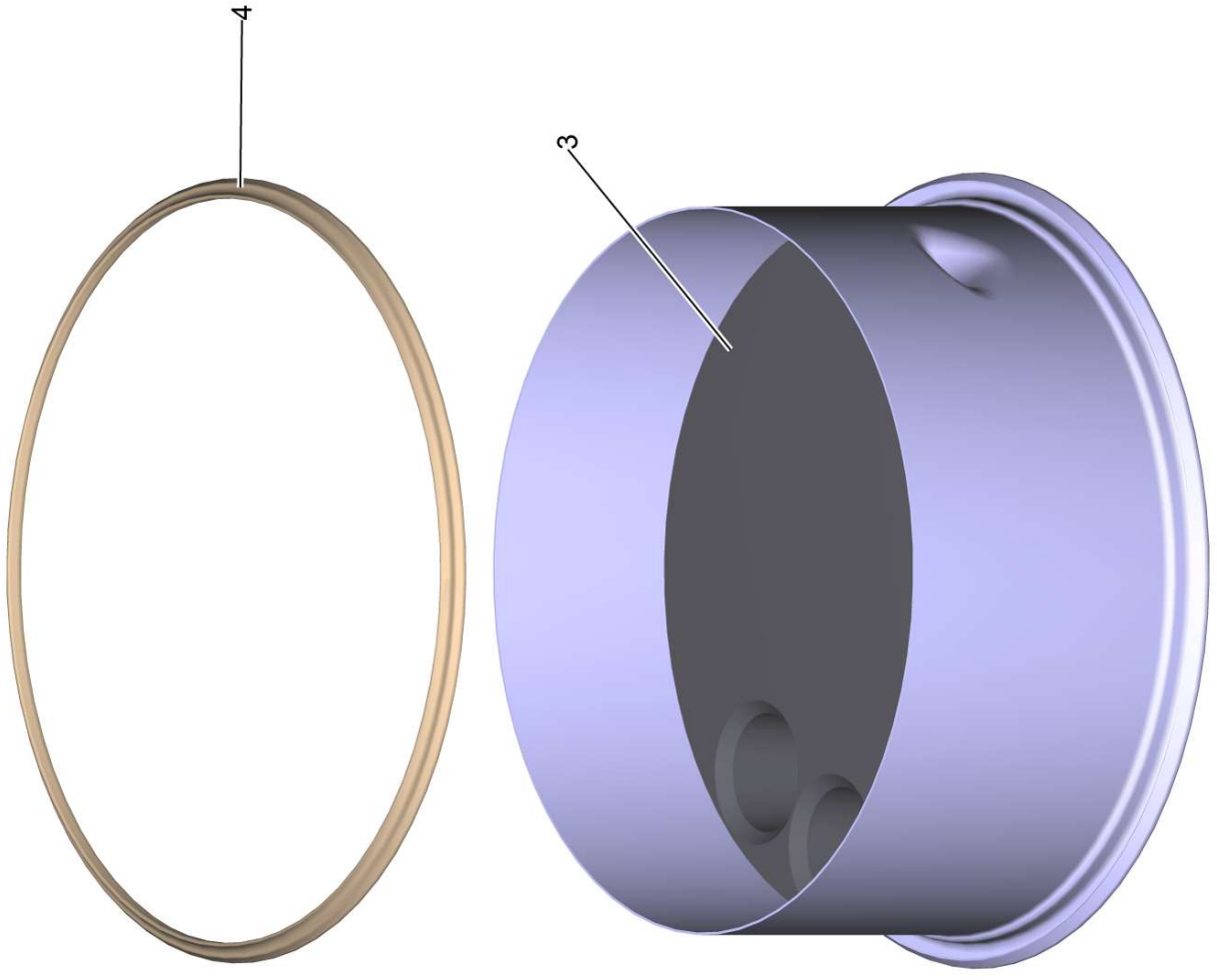
POS	Article no.	Description	Quantity	Unit
1	6.388-719.0	Hose DN17	0,91	m





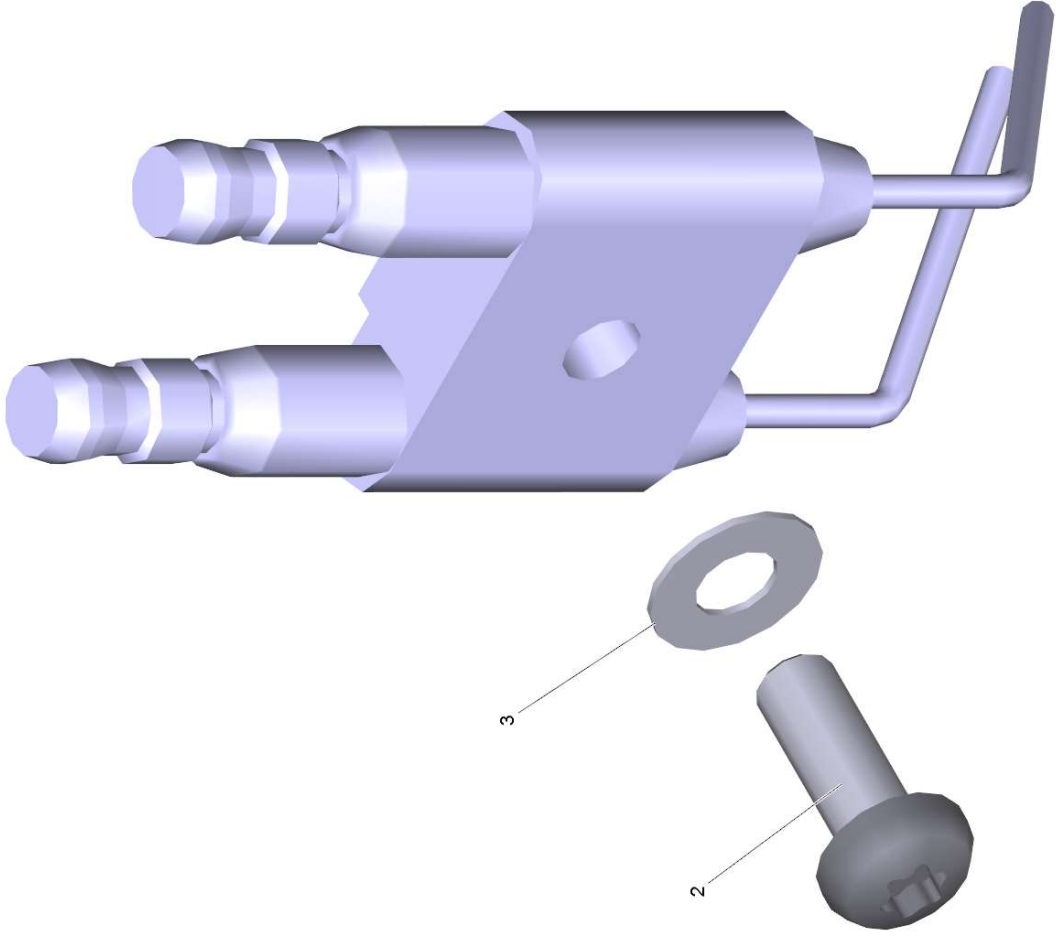
900 Boiler

POS	Article no.	Description	Quantity	Unit	Foot note text
2	4.655-044.0	Bottom pressure boiler	1	PC	
901	2.638-974.0	Conversion kit ignition electrode	1	PC	
902	4.654-288.0	Cover pressure boiler only for replaceme	1	PC	
3	4.680-123.0	Heating coil	1	PC	
	Item text1: replaced by 4.680-123.3				
3	4.680-123.3	Heating coil	1	PC	
	Item text1: successor of 4.680-140.0				
3	4.680-140.0	Heating coil	1	PC	
3	4.680-114.0	Heating coil VA	1	PC	
	Item text1: replaced by 4.680-114.3				
3	4.680-114.3	Heating coil VA	1	PC	STAINLESS STEEL CONSTRUCTION
	Item text1: successor of 4.680-114.0				
8	7.311-112.0	Hexagon nut M22X1,5 -22H-A2E DIN 936	2	PC	
12	6.366-009.0	Seal string	1	PC	
1	4.652-004.0	Vessel mantel complete	1	PC	



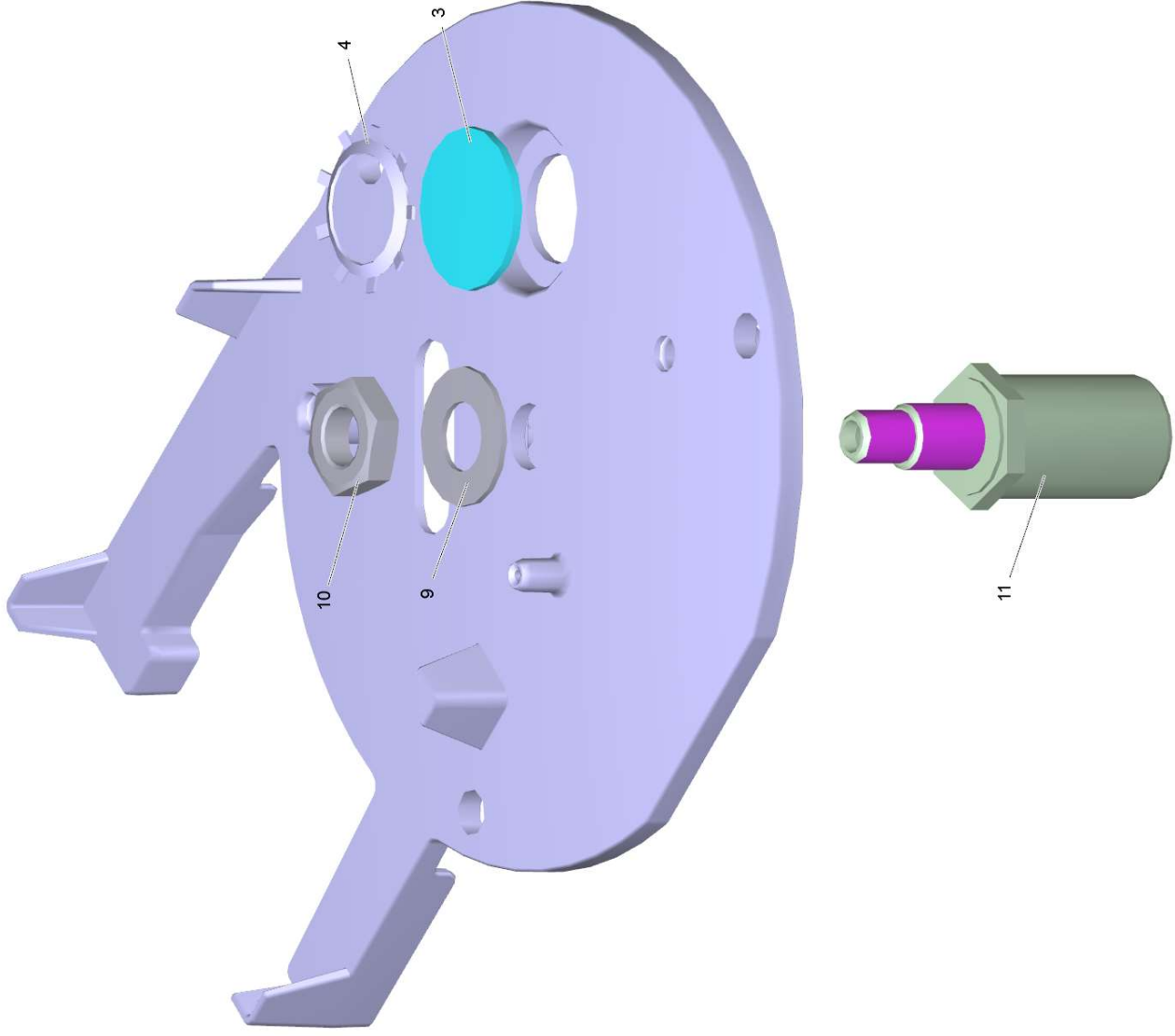
2 Bottom pressure boiler (4.655-044.0)

POS	Article no.	Description	Quantity	Unit
4	6.366-009.0	Seal string	1	PC
3	7.777-999.0	Stockpiling discontinued	1	PC



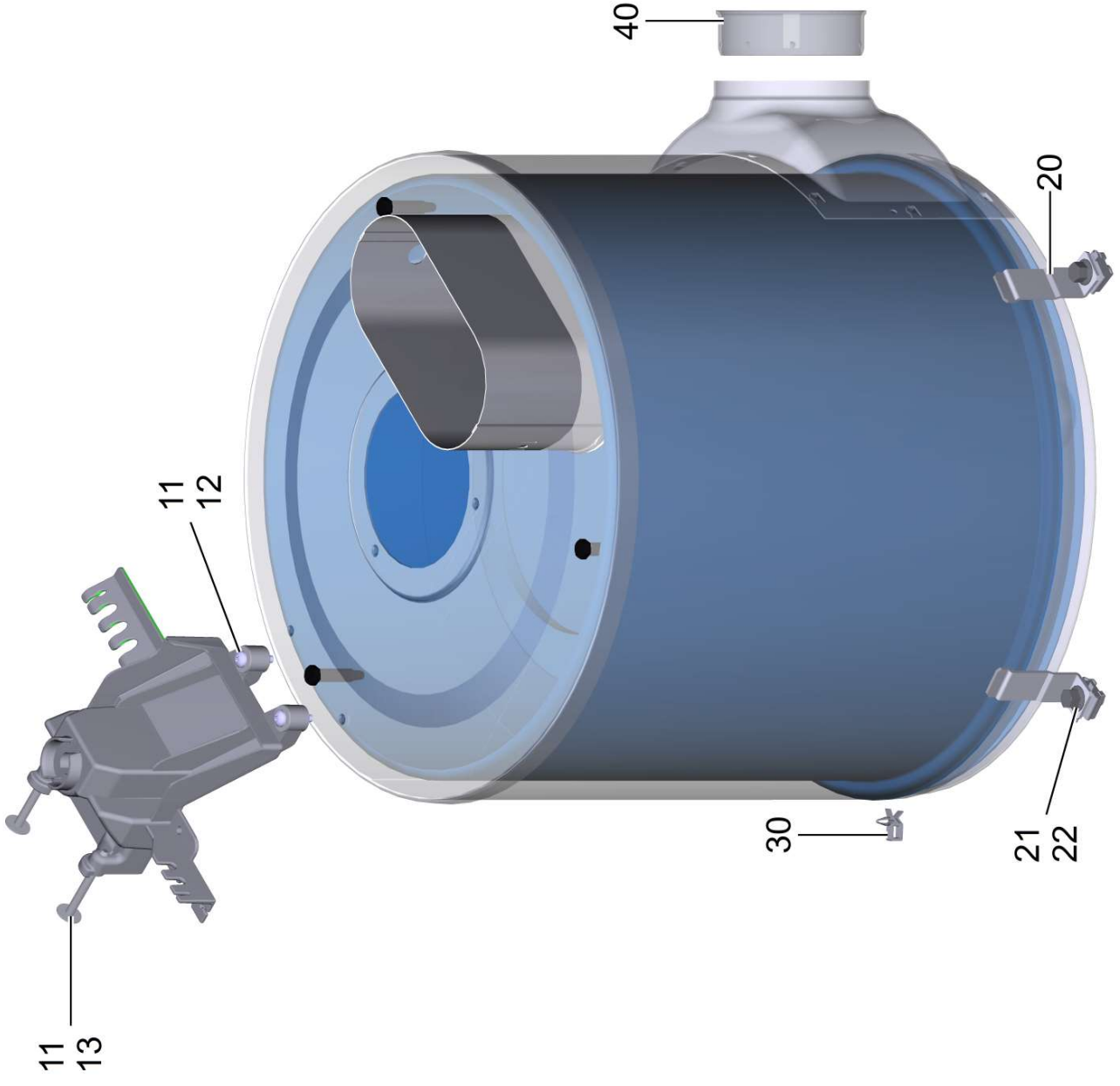
901 Conversion kit ignition electrode (2.638-974.0)

POS	Article no.	Description	Quantity	Unit
2	7.306-326.0	Screw M5x14 -8.8-ZNBHL (In6Rd)	1	PC
3	7.312-304.0	Spring washer B 5-FST-A2E DIN 137	1	PC



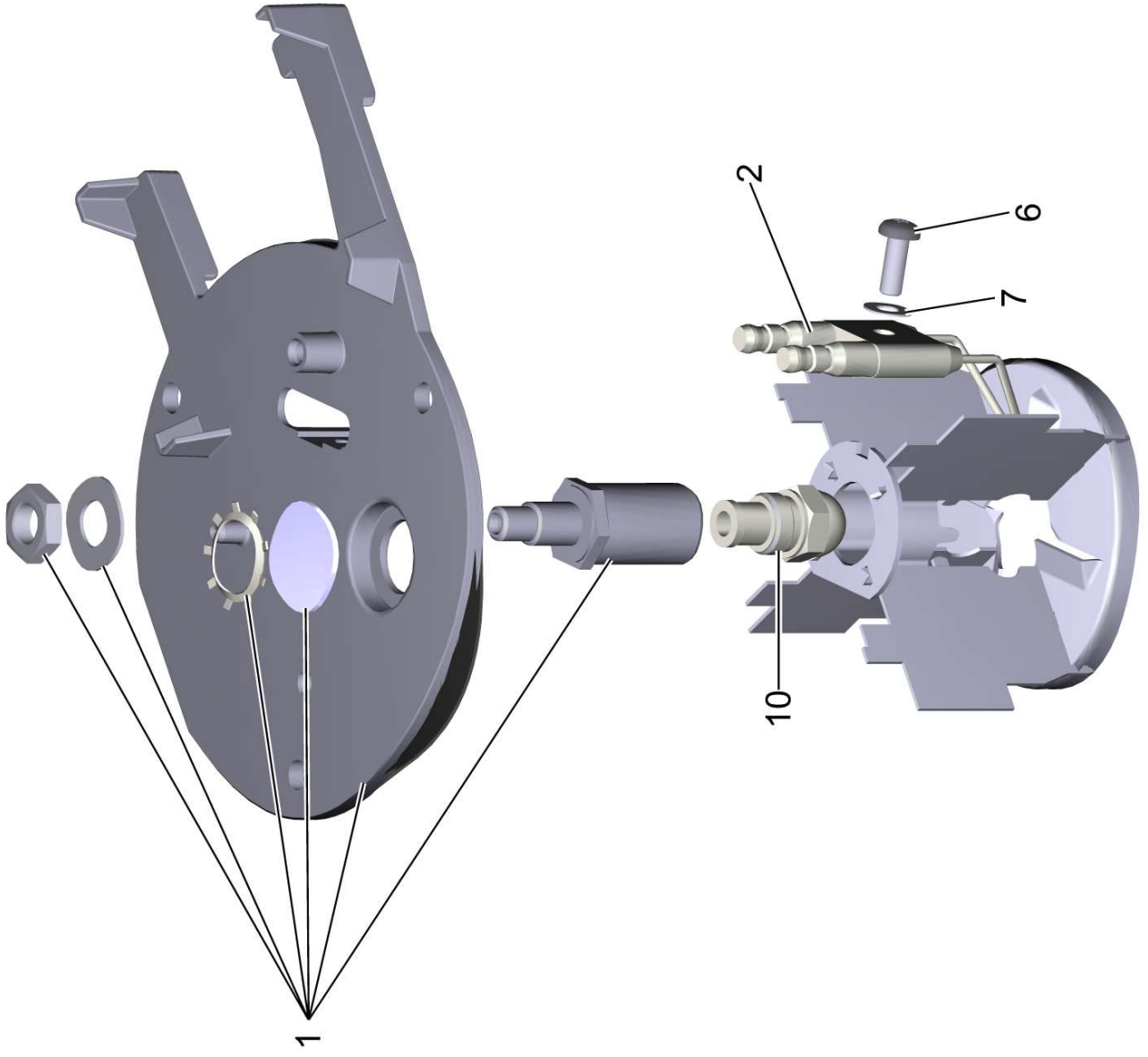
902 Cover pressure boiler only for replaceme (4.654-288.0)

POS	Article no.	Description	Quantity	Unit
3	6.278-018.0	Glass pane	1	PC
10	7.311-101.0	Hexagon nut M10x1 -04-A2E DIN 936	1	PC
11	5.667-055.0	Nozzle holder	1	PC
4	6.343-165.0	Serrated ring	1	PC
9	7.312-302.0	Spring washer B10-FST-A2E DIN 137	1	PC



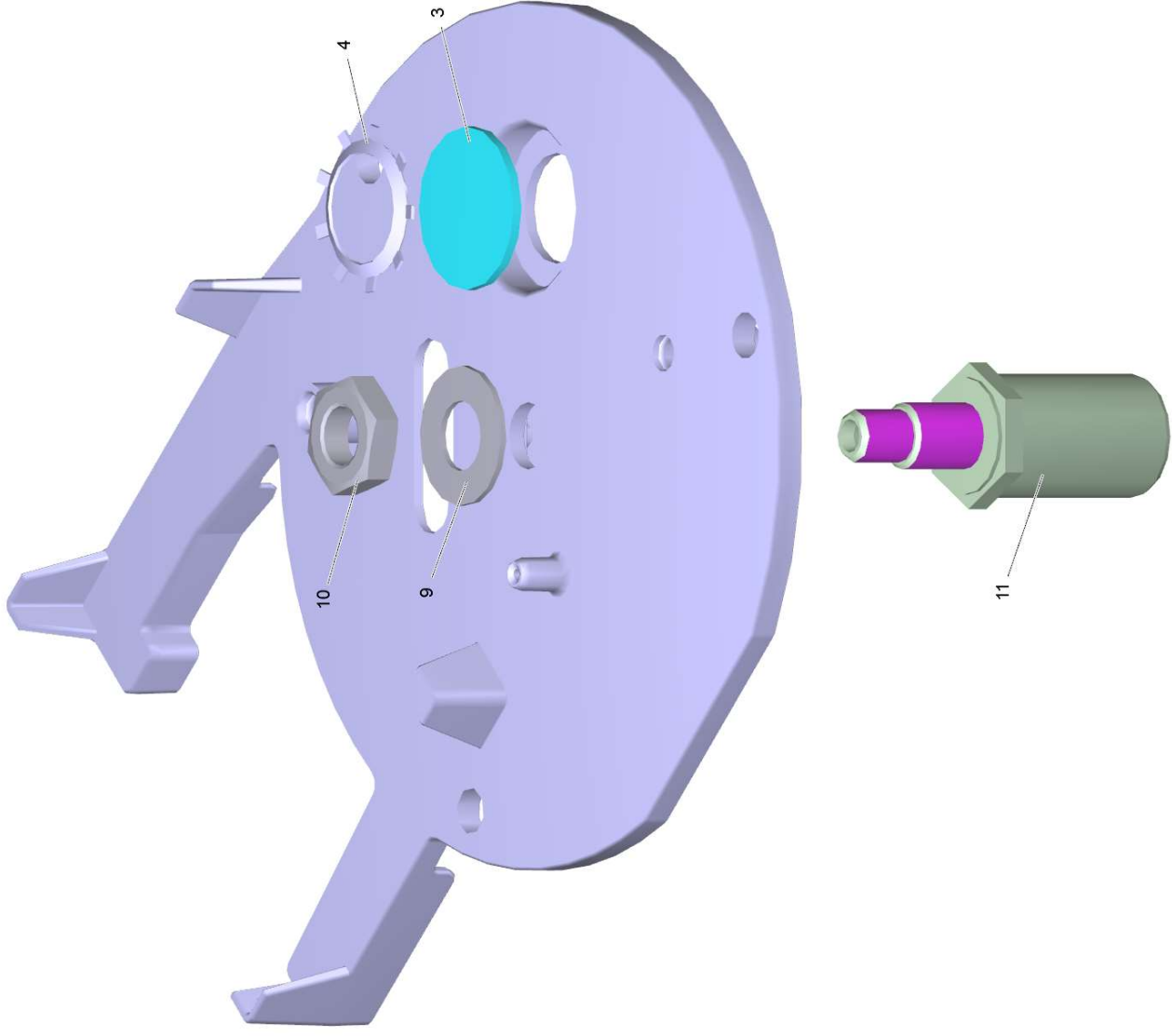
901 Boiler assembly assembly group D313

POS	Article no.	Description	Quantity	Unit
21	6.310-081.0	Cage nut M 8	4	PC
30	6.970-929.0	Clip	1	PC
22	7.304-051.0	Hexagonal head screw M8x16 -8.8-P2R EN 1665	4	PC
20	5.044-420.0	Holder	4	PC
10	5.412-001.0	Holder Kessel ovale Heizschlange	1	PC
13	7.303-111.0	Screw 5x50 -10.9-R2R (K-In6Rd)	2	PC
12	6.303-320.0	Screw M 5x 20-St-R2R	2	PC
40	5.263-094.0	Tensioning part air circulation	1	PC
11	7.312-278.0	Washer 5-200HV-A2E ISO7093-1	4	PC



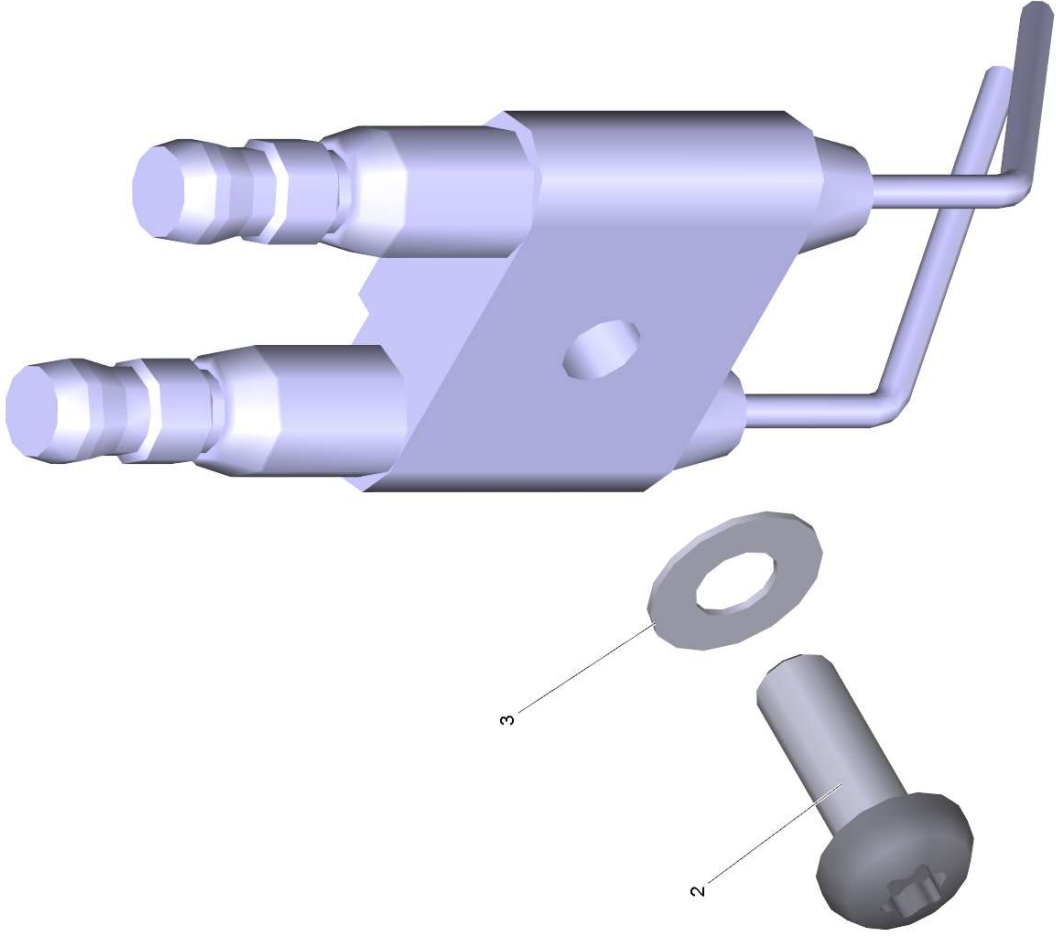
910 Burner complete (4.654-305.0)

POS	Article no.	Description	Quantity	Unit
8	4.663-088.0	Baffle plate complete	1	PC
	Item text2: 46542530			
10	6.415-564.0	Burner nozzle	1	PC
2	2.638-974.0	Conversion kit ignition electrode	1	PC
	Item text2: 46542530			
1	4.654-288.0	Cover pressure boiler only for replaceme	1	PC
	Item text2: 46542530			
6	7.306-326.0	Screw M5x14 -8.8-ZNBHL (In6Rd)	1	PC
	Item text2: 46542530			
7	7.312-304.0	Spring washer B 5-FST-A2E DIN 137	1	PC
	Item text2: 46542530			



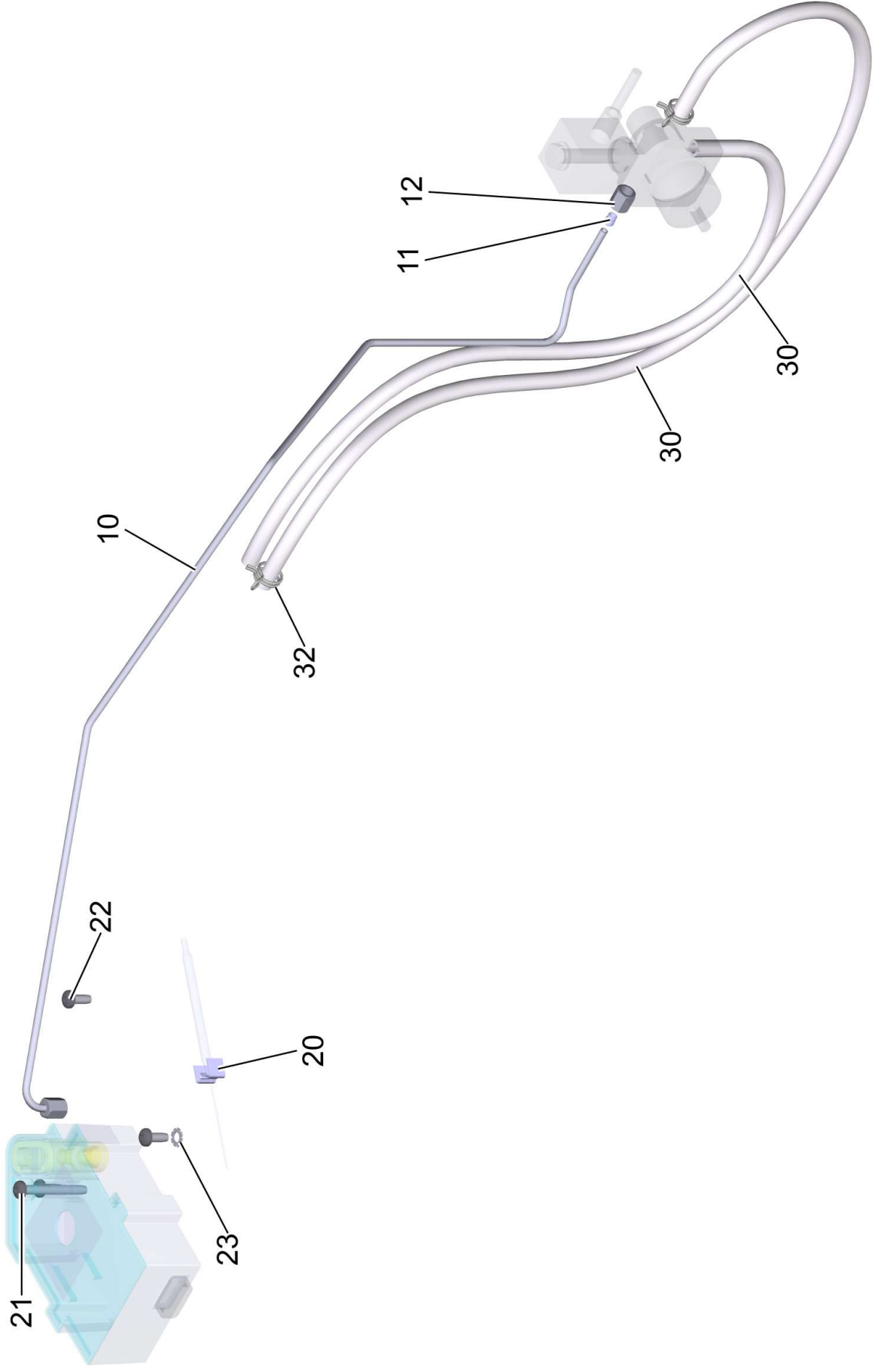
1 Cover pressure boiler only for replaceme (4.654-288.0)

POS	Article no.	Description	Quantity	Unit
3	6.278-018.0	Glass pane	1	PC
10	7.311-101.0	Hexagon nut M10x1 -04-A2E DIN 936	1	PC
11	5.667-055.0	Nozzle holder	1	PC
4	6.343-165.0	Serrated ring	1	PC
9	7.312-302.0	Spring washer B10-FST-A2E DIN 137	1	PC



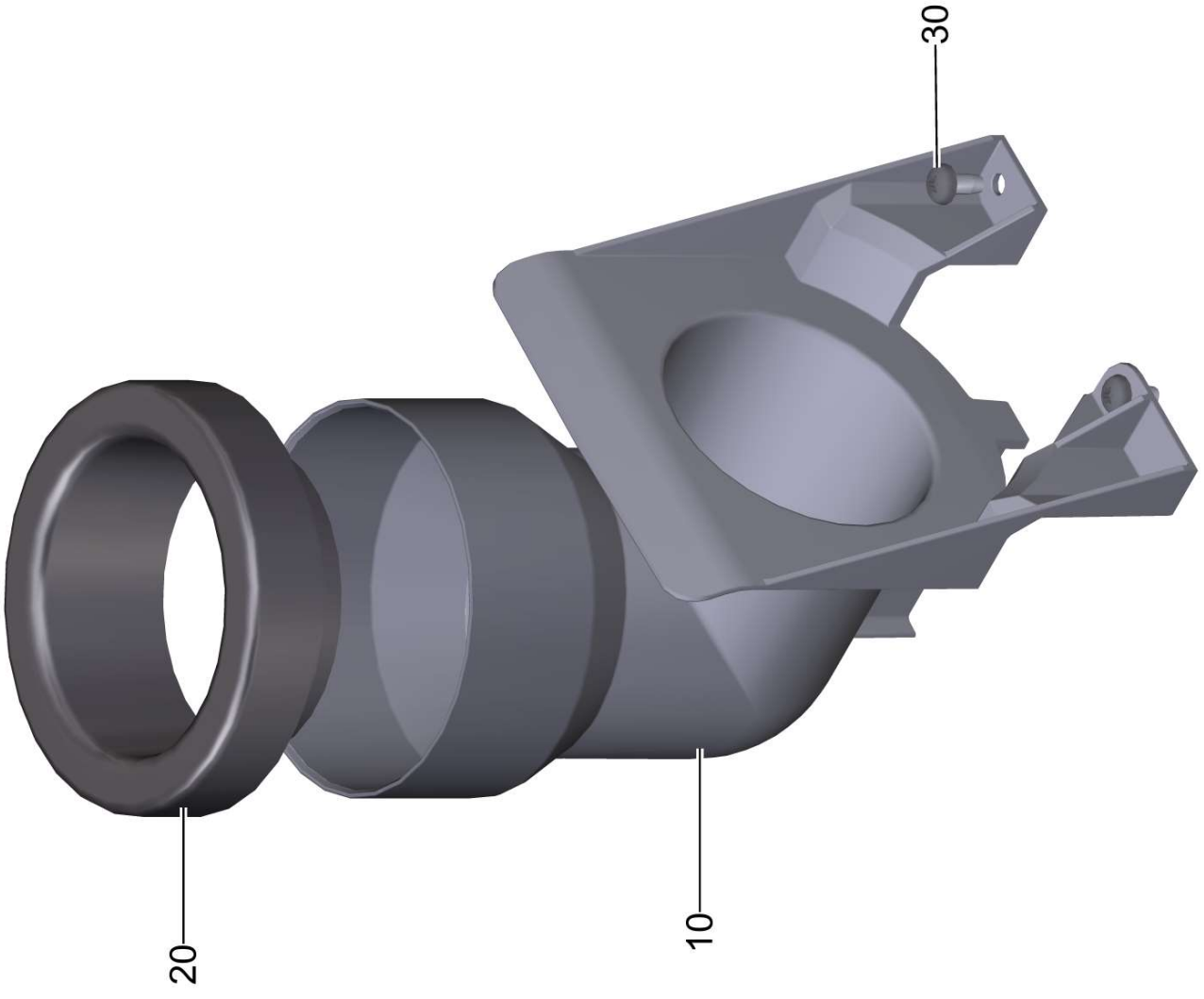
2 Conversion kit ignition electrode (2.638-974.0)

POS	Article no.	Description	Quantity	Unit
2	7.306-326.0	Screw M5x14 -8.8-ZNBHL (In6Rd)	1	PC
3	7.312-304.0	Spring washer B 5-FST-A2E DIN 137	1	PC



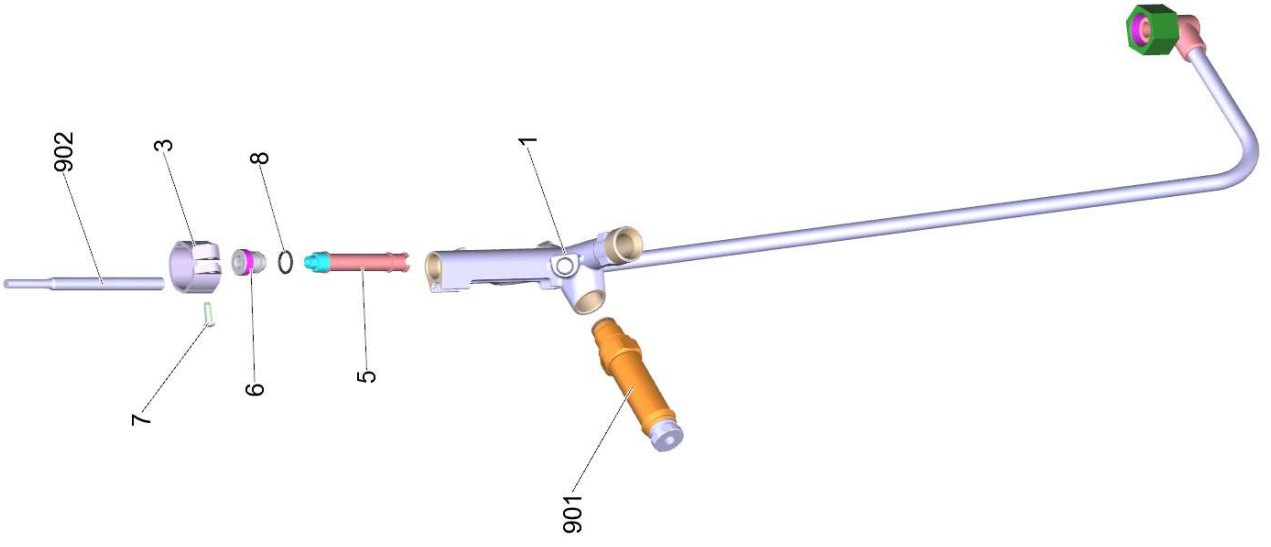
920 Fuel pump ignition transformer assembly (4.473-051.3)

POS	Article no.	Description	Quantity	Unit
10	5.026-152.3	Conduit fuel HDS Next D313	1	PC
11	6.389-263.0	Cutting ring d.4	2	PC
20	5.034-834.0	Holder probe	1	PC
30	6.391-820.0	Hose	1,1	m
32	6.388-559.0	Hose clip	2	PC
22	6.303-192.0	Screw M5x12 TX TAPITTE2000	3	PC
21	7.303-240.0	Screw M5x40-ST-A2E (IN6RD)	1	PC
23	7.312-172.0	Toothed lock washer A5,3-FSt-A3E DIN 6797	1	PC
12	6.389-262.0	Union nut A 4-LL	2	PC



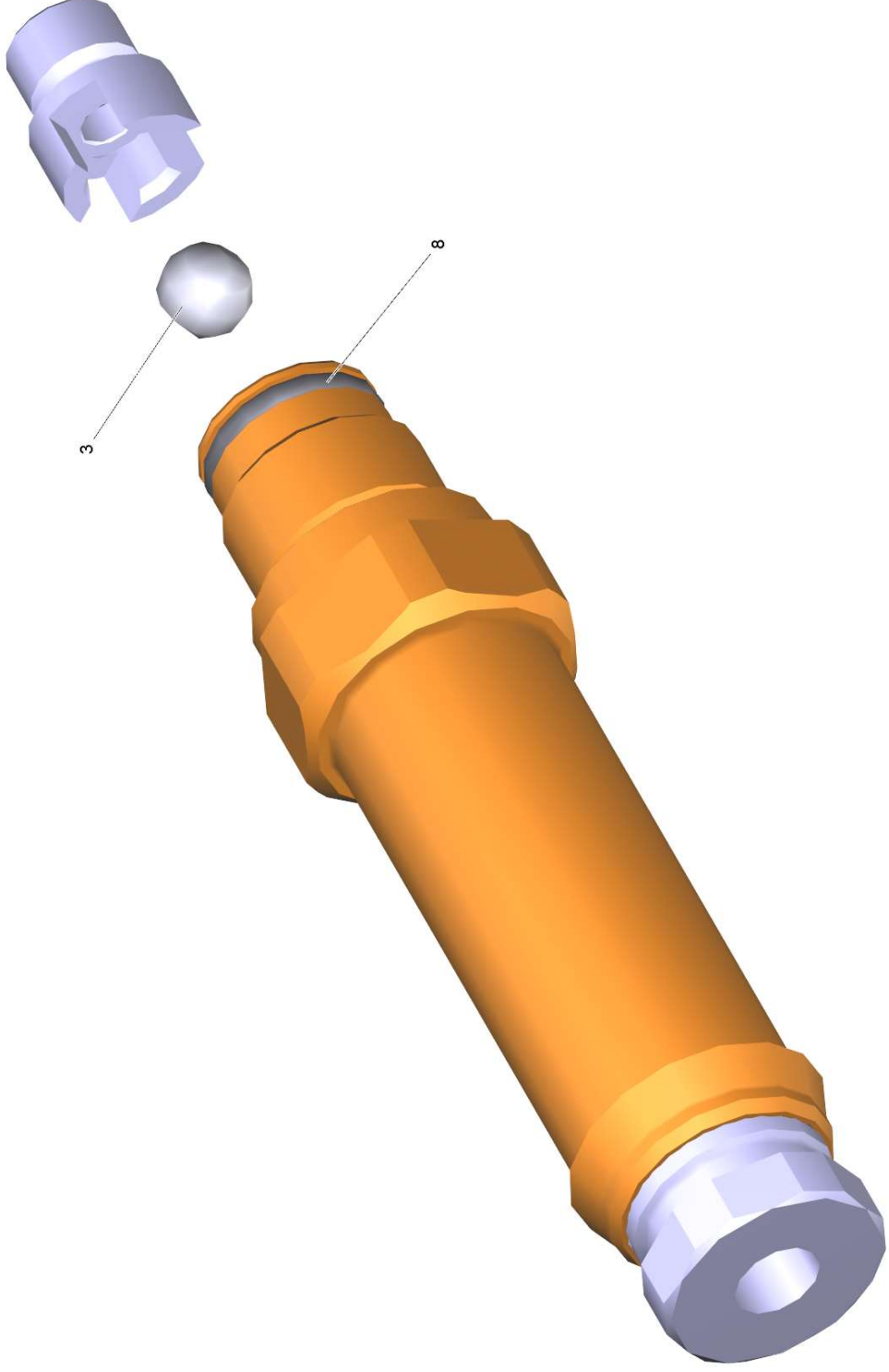
940 Air circulation assembly assembly group HDS-Next

POS	Article no.	Description	Quantity	Unit
10	5.178-009.0	Air circulation elbow HDS Next	1	PC
20	5.178-040.0	Collar air circulation	1	PC
30	7.303-046.0	Screw M6x12 -St-R3R (In6Rd)	2	PC



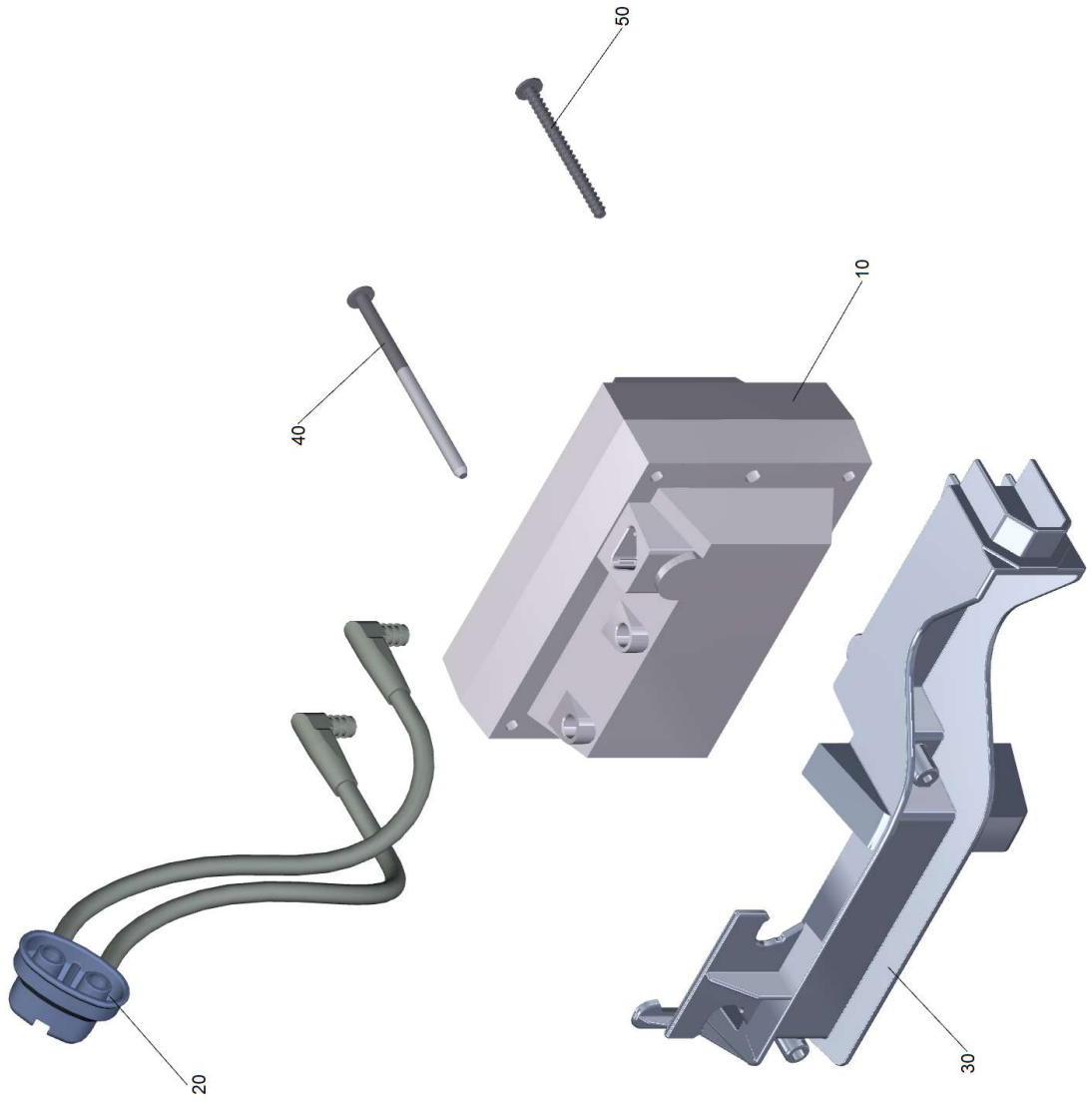
1000 Safety system

POS	Article no.	Description	Quantity	Unit
5	4.551-058.0	Cartridge protection against water short	1	PC
3	5.041-076.0	Clamp	1	PC
7	6.303-122.0	M4 .2X13 DIN 7981 TORX T15 PAN HD HI/LO	1	PC
Item text1: successor of 9.760-120.0				
1	4.427-040.0	Manifold complete screw plug	1	PC
8	6.362-482.0	O-Ring seal 10 x 1,5-NBR 70	1	PC
902	2.885-051.0	Reed switch replacement	1	PC
901	4.580-709.0	Safety valve complete replacement	1	PC
7	9.760-120.0	Screw d.4,2x13 (9.086-192)	1	PC
6	5.305-162.0	Shaped screw	1	PC



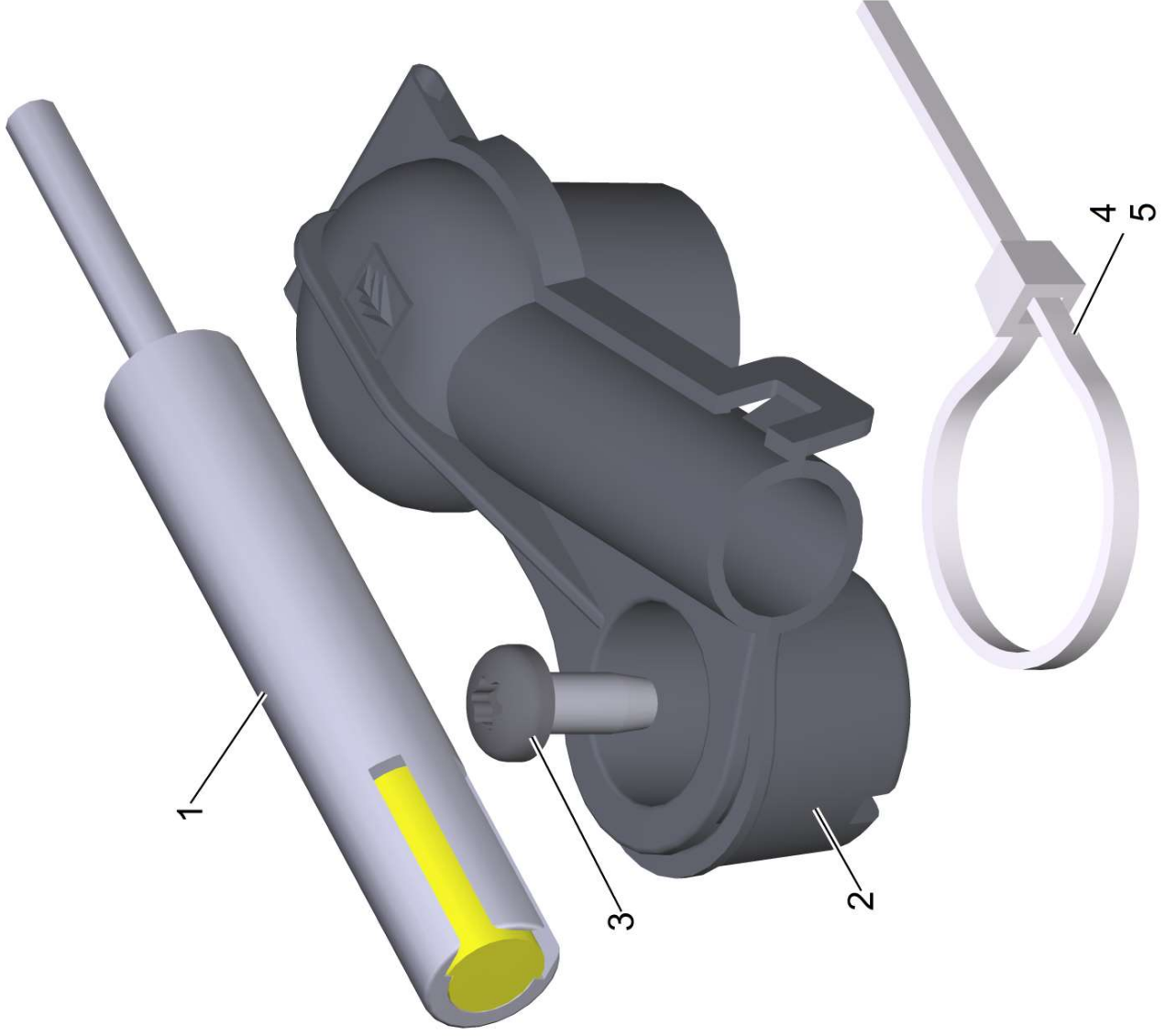
901 Safety valve complete replacement (4.580-709.0)

POS	Article no.	Description	Quantity	Unit
8	6.362-845.0	O-Ring seal 10,82x 1,78	1	PC
3	6.401-429.0	Sphere polyamide 8mm	1	PC



2000 Add-on kit ignition transformer HDS-M/S 400V

POS	Article no.	Description	Quantity	Unit
30	5.424-140.0	Fixing	1	PC
20	4.821-100.3	Ignition cable complete for replacement	1	PC
10	6.622-275.0	Ignition transformer -400V, 50 Hz	1	PC
50	7.303-234.0	Screw 5x60-10.9-A2K (K-In6Rd)	1	PC
40	7.303-330.0	Screw 5x85-10.9-ZFBHL (K-In6Rd)	1	PC



9000 Add-on kit flame guard HDS (2.644-475.0)

POS	Article no.	Description	Quantity	Unit
5	6.641-463.0	Cable tape	1	PC
4	6.641-458.0	Cable tape nature 4,6x150mm	1	PC
2	5.038-768.0	Holder photocell large	1	PC
1		Probe large with plug	1	PC
3	7.303-038.0	Screw M5x12 -St-P2R (In6Rd)	1	PC