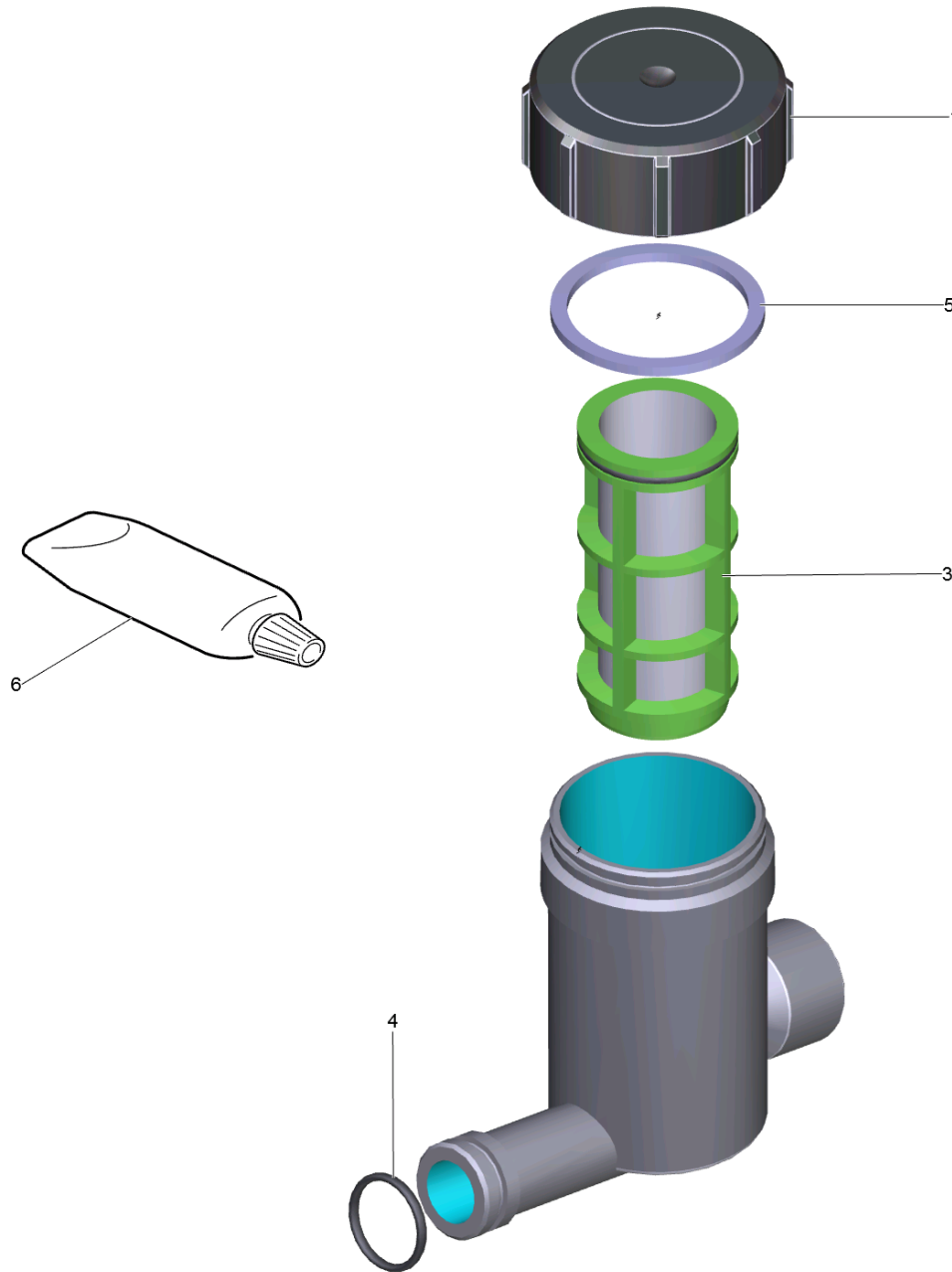


5 Filter complete (4.730-161.0)

Professional \ High pressure cleaner cold water \ Electric motor \ HD 10/21 -4S *EU \ Spare parts list HD 10/21 S \ Pump set \ Water filter \ Filter complete



5 Filter complete (4.730-161.0)

Professional \ High pressure cleaner cold water \ Electric motor \ HD 10/21 -4S *EU \ Spare parts list HD 10/21 S \ Pump set \ Water filter \ Filter complete



POS	Article no.	Description	Quantity	Unit
1	5.064-453.0	Cover qusty grey	1	PC
3	6.414-681.0	Filter cartridge	1	PC
4	6.362-686.0	O-Ring seal 20,0 X 3,0	1	PC
5	5.363-613.0	Seal	1	PC
6	6.288-044.0	Silicon grease 100 G	1	PC