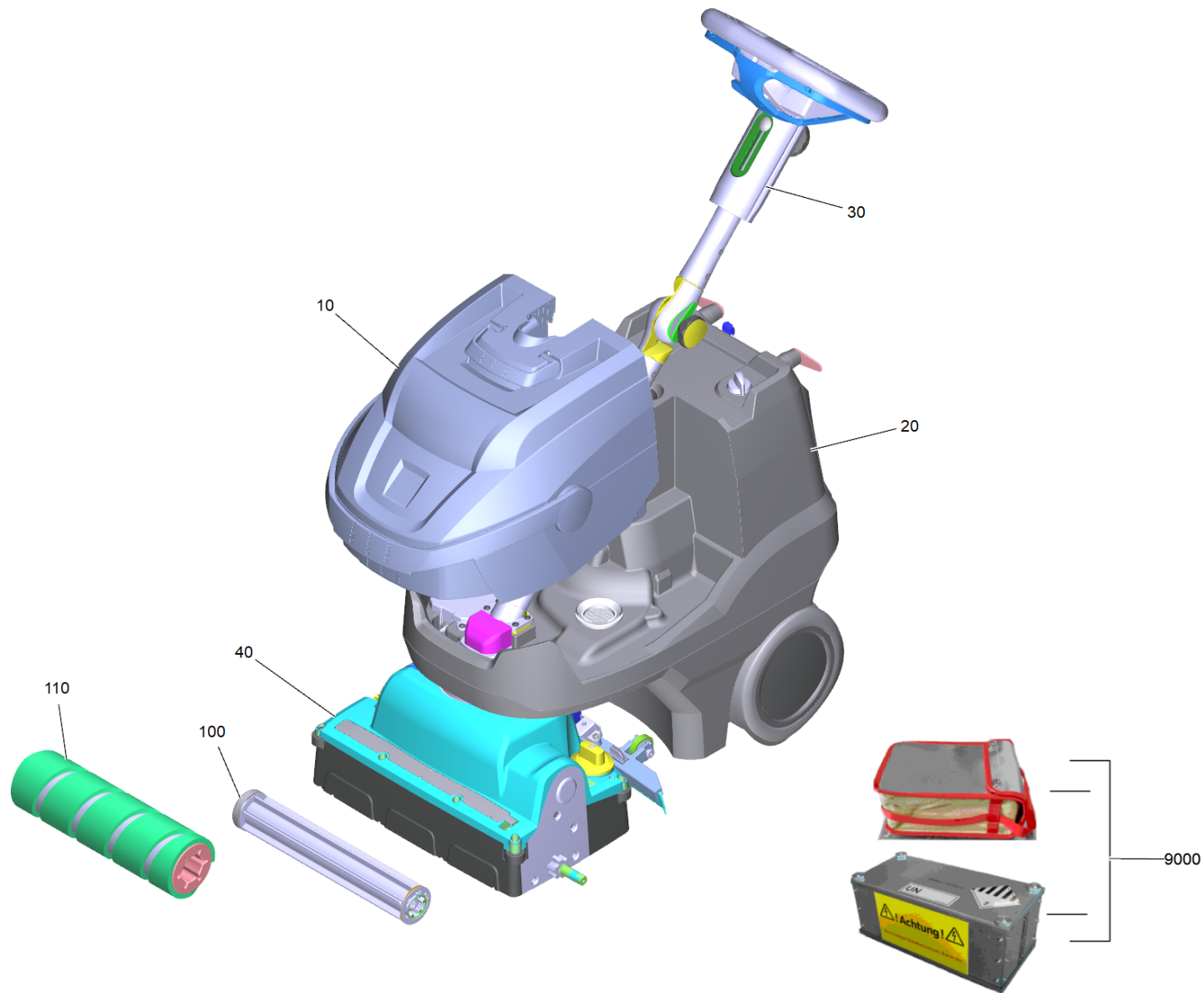


Spare parts list

(1.783-467.0) BR 35/12 C Bp Pack *EU

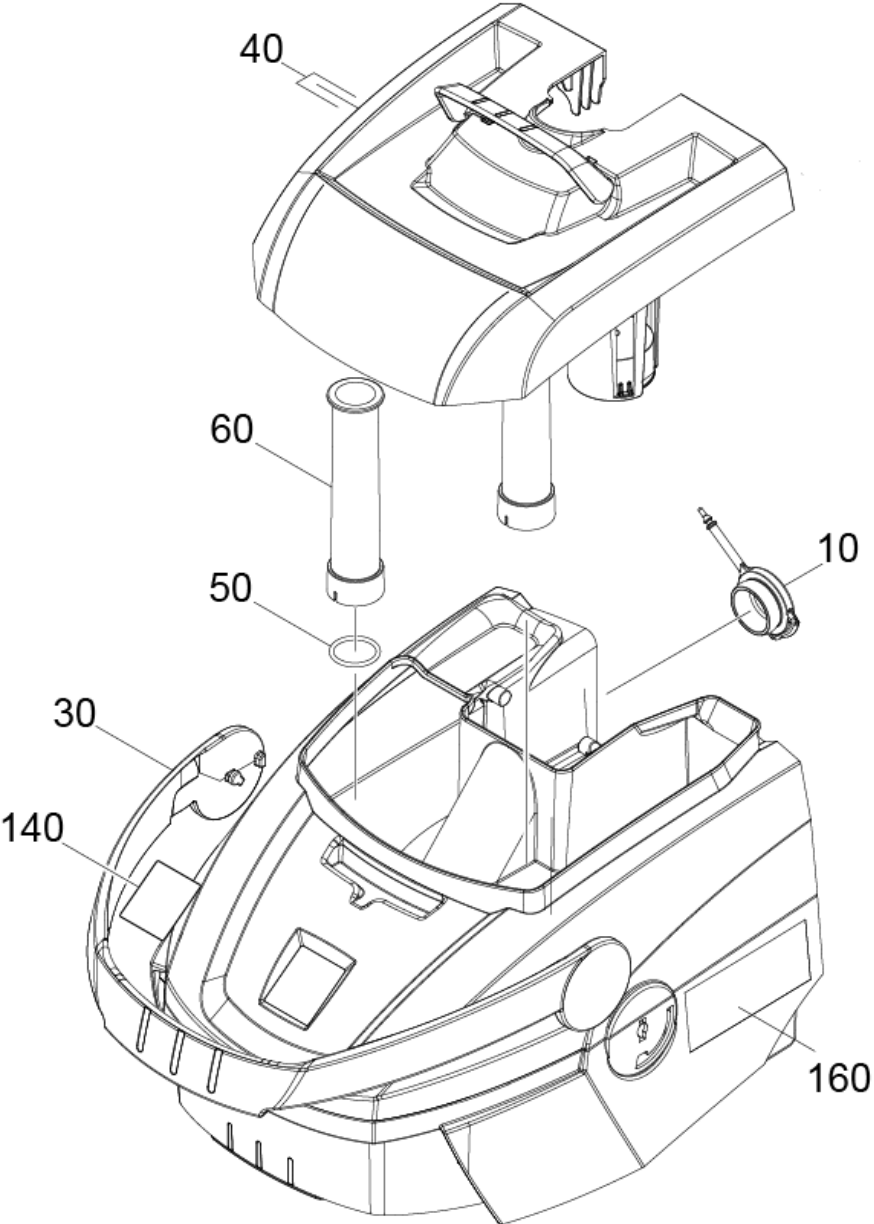
Table of contents

BR 35/12 C Bp Pack *EU (1.783-467.0)	3
10 Waste water tank complete (4.037-022.0)	5
40 Cover waste water tank replacement (4.037-000.0)	7
9000 Conversion kit float (2.639-292.0)	9
20 Chassis complete *EU	11
290 Suction hose complete (4.037-032.0)	15
30 Steering pillar complete	17
40 Brush-head complete (4.037-153.0)	19
10 Brush housing complete	21
20 Cover plate brush housing complete	23
30 Gear case complete	25
10 Gear case replacement (4.037-033.0)	27
10 Gear case replacement (4.037-117.0)	29
40 Carriage complete for replacement (4.037-120.0)	31
50 Suction bar cpl.	33
10 Suction bar replacement (4.037-162.0)	35
50 Cable harness BR35/12 BP	37
10 Cable harness brush-head (4.823-075.0)	39
50 Cable harness BR 35/12 Bp	41
10 Cable harness brush-head (4.823-193.0)	42
100 Roll pad BR35/12 (4.762-009.0)	43
60 Hub pad roll BR VS (5.120-313.0)	45
997 PAD GREEN DIAM.96mm (SET 25 UNIT) (9.302-688.0)	47
1 PAD - GREEN DIAM.96mm (9.380-066.0)	48
110 Micro-fibre roll (4.037-040.0)	49



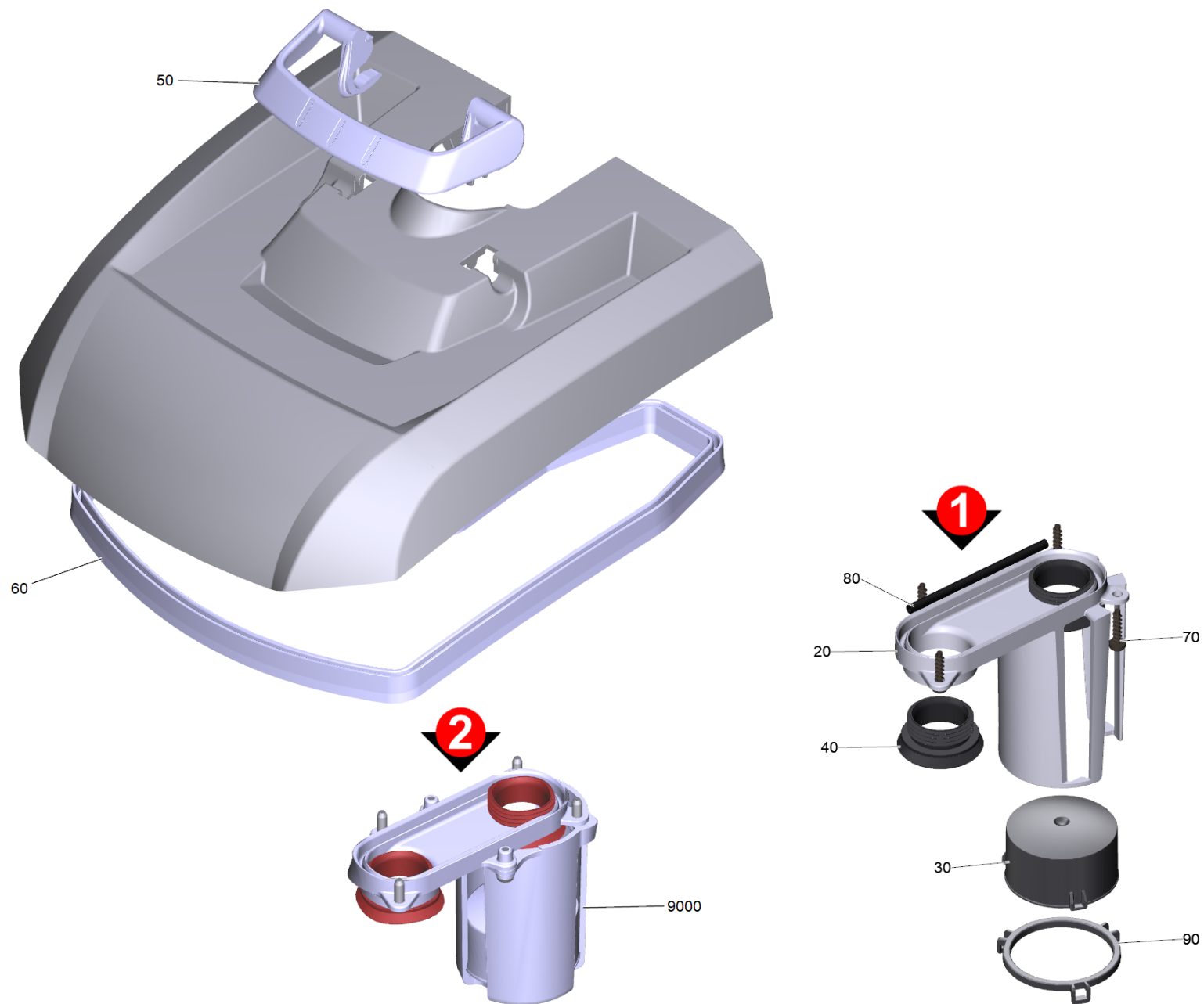
BR 35/12 C Bp Pack *EU (1.783-467.0)

POS	Article no.	Description	Quantity	Unit	Remark	Foot note text
40	4.037-153.0	Brush-head complete	1.000	ST		
50		Cable harness BR 35/12 Bp	1.000	ST	Pump 6.473-059.0	VERSION 2
50		Cable harness BR35/12 BP	1.000	ST	Pump 6.473-580.0	VERSION 1
20		Chassis complete *EU	1.000	ST		
110	4.037-066.0	Micro-fibre roll	1.000	ST		
110	4.037-040.0	Micro-fibre roll	1.000	ST		
100	4.762-009.0	Roll pad BR35/12	1.000	ST		
30		Steering pillar complete	1.000	ST		
9000	6.652-000.0	Tank Ruhebehaeltnis für die Li-Ionen-Bat	1.000	ST		WITHOUT BATTERY
10	4.037-022.0	Waste water tank complete	1.000	ST		



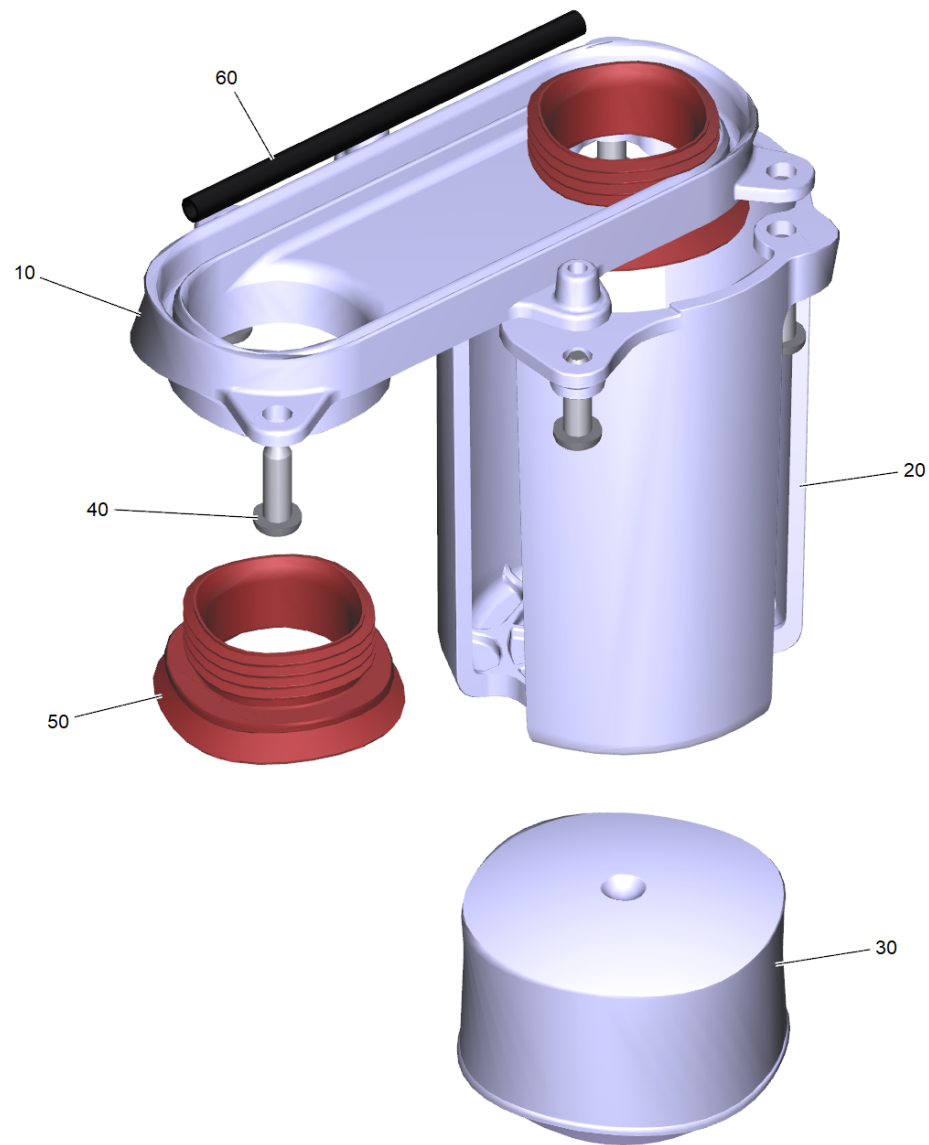
10 Waste water tank complete (4.037-022.0)

POS	Article no.	Description	Quantity	Unit
30	5.037-257.0	Carrier handle waste water tank	1.000	ST
10	5.037-335.0	Cover discharge waste water	1.000	ST
40	4.037-000.0	Cover waste water tank replacement	1.000	ST
160	5.385-512.0	Label logo glued L Professional	2.000	ST
140	5.385-517.0	Label signet glued L Professional	1.000	ST
50	6.362-108.0	O-Ring seal 30,0 X 3,0	2.000	ST
60	5.037-296.0	Suction tube waste water tank	2.000	ST



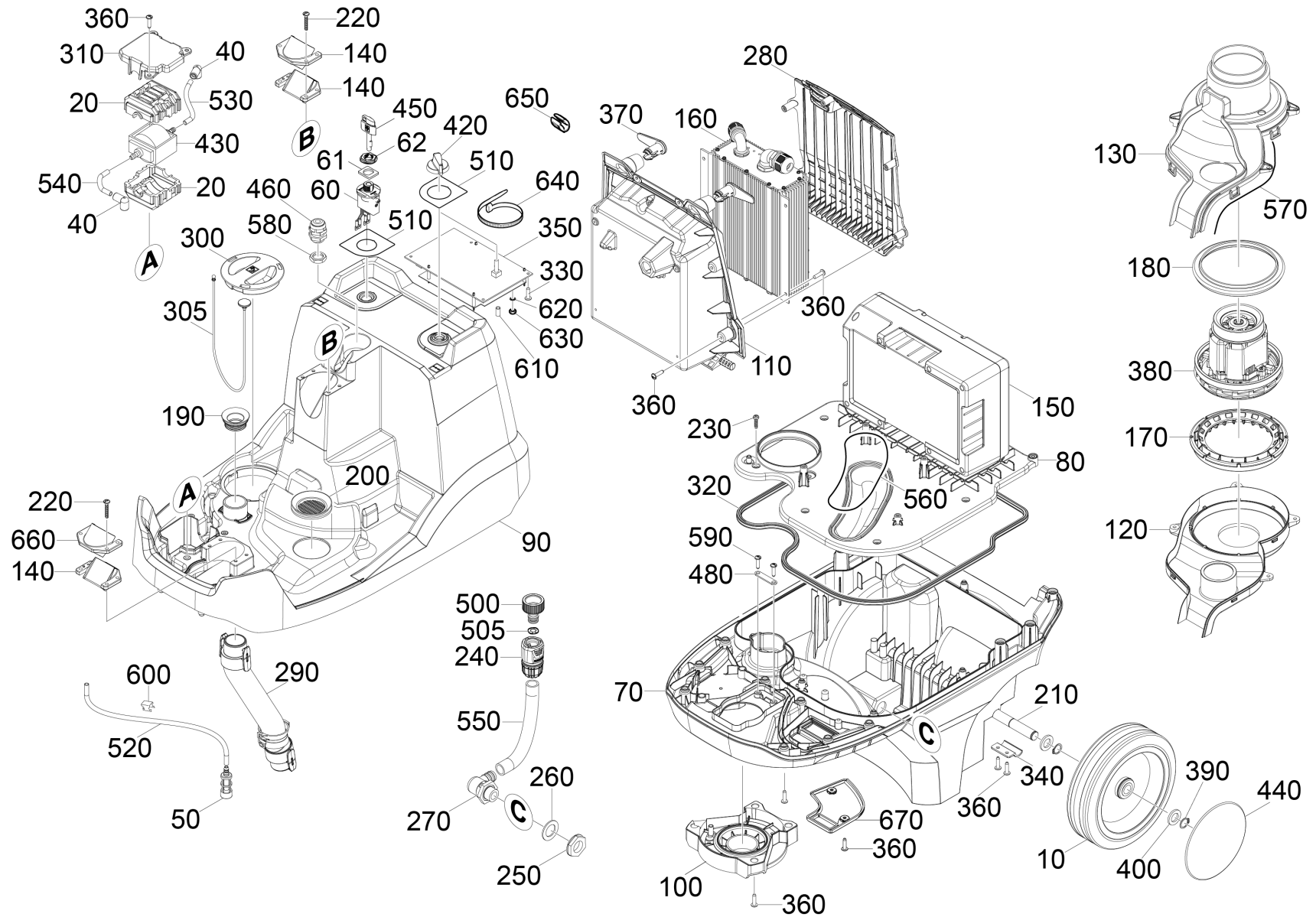
40 Cover waste water tank replacement (4.037-000.0)

POS	Article no.	Description	Quantity	Unit	Foot note text
50	5.037-299.0	Closure handhold waste water tank	1.000	ST	
9000	2.639-292.0	Conversion kit float	1.000	ST	VERSION 2
90	5.037-421.0	Cover float cage	1.000	ST	VERSION 1
30	4.035-252.0	Float replacement	1.000	ST	VERSION 1
20	5.037-297.0	Float retainer	1.000	ST	VERSION 1
40	5.050-415.0	Joint ring	2.000	ST	VERSION 1
70	7.303-212.0	Screw 5x20 -A2-70 (In6Rd)	4.000	ST	
60	5.037-310.0	Seal cover waste water tank	1.000	ST	
80	6.273-037.0	Seal string cellular rubber 3	0.280	M	TO ORDER AS CUT GOODS



9000 Conversion kit float (2.639-292.0)

POS	Article no.	Description	Quantity	Unit
20	5.037-862.0	Float cage	1.000	ST
30	4.035-607.0	Float replacement	1.000	ST
10	5.037-861.0	Float retainer	1.000	ST
50	5.050-415.0	Joint ring	2.000	ST
40	7.303-104.0	Screw 5x16 -A2-70 (IN6RD)	6.000	ST
60	6.273-037.0	Seal string cellular rubber 3	0.280	M



20 Chassis complete *EU

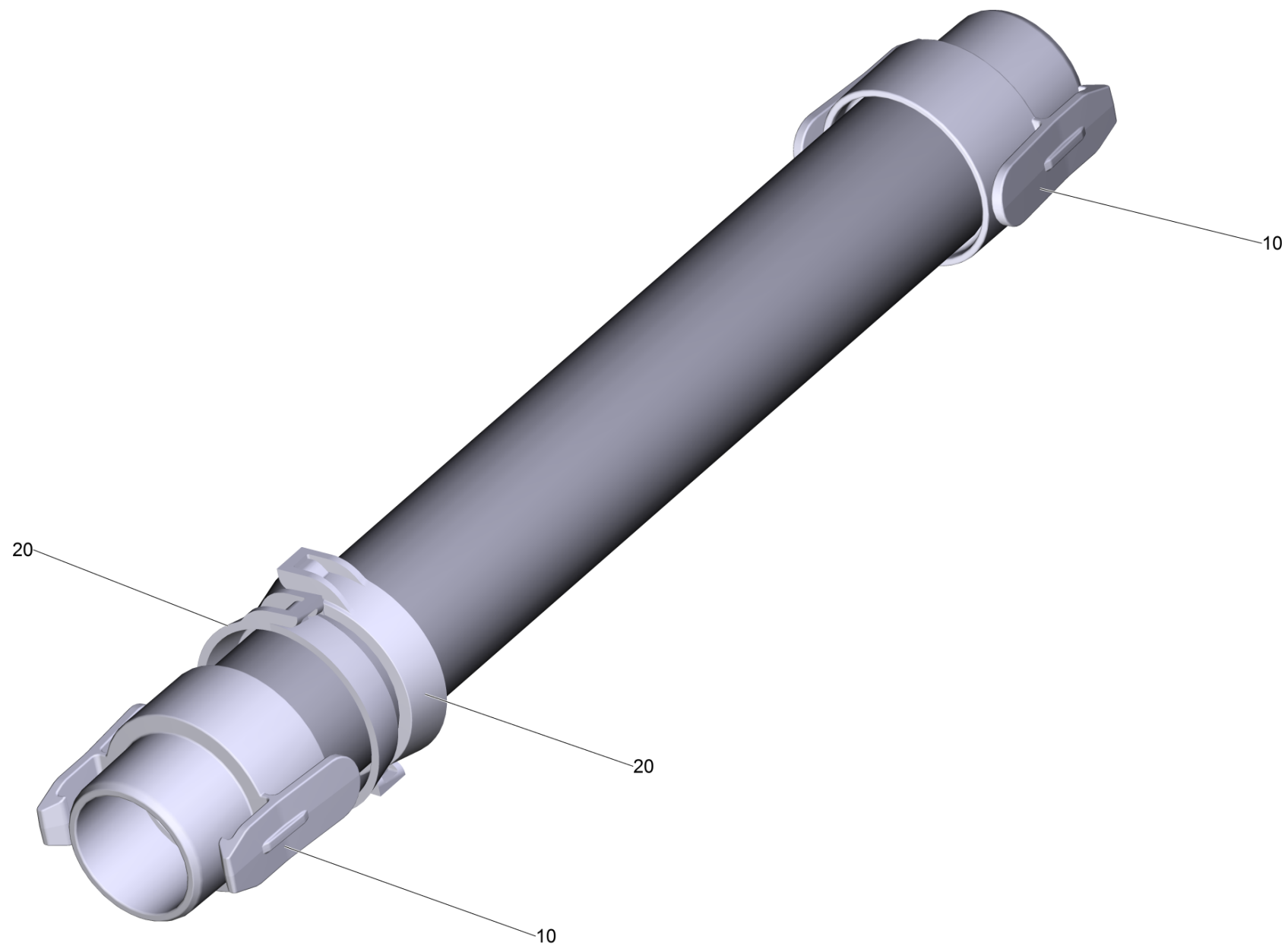
POS	Article no.	Description	Quantity	Unit	Foot note text
270	6.395-163.3	Angle bushing G1-2	1.000	ST	
40	5.050-411.0	Angle bushing water distribution	2.000	ST	
210	5.037-304.0	Axle wheels	1.000	ST	
160	6.654-293.0	Battery charger 29,4V / 10A	1.000	ST	
100	5.037-285.0	Bearing brush-head	1.000	ST	
20	4.035-599.0	Bearing pump	1.000	ST	VERSION 2
20	5.050-408.0	Bearing pump	2.000	ST	VERSION 1
170	5.731-657.0	Bearing turbine new CER	1.000	ST	
380	6.490-312.0	Blower motor 24V	1.000	ST	
460	6.648-400.0	Cable gland black M20x1,5	1.000	ST	
640	6.641-458.0	Cable tape nature 4,6x150mm	3.000	ST	
370	5.044-661.0	Catch for cable yellow	2.000	ST	
500	6.465-031.0	Connection 3/4	1.000	ST	
670	5.037-991.0	Covering cap air circulation	1.000	ST	
90	5.037-280.0	Covering cap appliance	1.000	ST	
110	5.037-286.0	Covering cap battery charger	1.000	ST	
280	5.037-306.0	Covering cap battery charger rear	1.000	ST	
660	5.037-015.0	Covering cap joint	1.000	ST	
310	5.037-867.0	Cover plate pump	1.000	ST	VERSION 2
300	5.051-294.0	Cover plate tank	1.000	ST	
310	5.037-307.0	Cover pump	1.000	ST	VERSION 1
150	6.654-294.0	Drive battery Li-Ionen 25,2V/21 Ah	1.000	ST	
350	2.816-181.0	Electric equipment BR 35/12	1.000	ST	FOR ORDERS PAY ATTENTION TO VERSION OFF POS. 420
50	5.731-664.0	Filter with weight	1.000	ST	
340	5.037-309.0	Fixing axle	2.000	ST	
70	5.037-278.0	Fresh water tank bottom part	1.000	ST	
80	5.037-279.0	Fresh water tank top part	1.000	ST	
140	5.037-289.0	Half shell bearing operating unit	3.000	ST	
250	6.310-004.0	Hexagon nut G 1/2"	1.000	ST	
630	7.311-001.0	Hexagon nut M4 -6-A2E ISO 4032	4.000	ST	
610	6.388-958.0	Hose	1.000	M	TO ORDER AS CUT GOODS
240	4.645-332.0	HOSE CONNECTOR 1/2" / 5/8" OPP	1.000	ST	
550	5.037-358.0	Hose discharge fresh water tank	1.000	ST	

20 Chassis complete *EU

POS	Article no.	Description	Quantity	Unit	Foot note text
520	6.388-216.0	Hose DN 5	1.000	M	TO ORDER AS CUT GOODS
540	6.388-216.0	Hose DN 5	1.000	M	TO ORDER AS CUT GOODS
530	6.388-216.0	Hose DN 5	1.000	M	TO ORDER AS CUT GOODS
190	5.050-415.0	Joint ring	1.000	ST	
200	5.363-344.0	Joint ring	1.000	ST	
450	4.037-142.0	Key complete key switch	1.000	ST	
60	4.037-141.0	Key switch bottom part complete Reed	1.000	ST	
510	5.037-351.0	Label	1.000	ST	
390	7.343-015.0	Locking ring 15x1-FST-RF DIN 471	4.000	ST	
580	6.648-416.0	Locknut black M20	1.000	ST	
305	5.035-358.0	Mounting rope cover fresh water tank	1.000	ST	
61	5.641-008.0	Nut with shaft M16x1.5	1.000	ST	
62	5.038-282.0	Plate key switch	1.000	ST	
650	5.033-928.0	Plug fixing RAL 1018	1.000	ST	
430	6.473-580.0	Pump 24V	1.000	ST	VERSION 1
505	6.343-147.0	Quick-fastener	1.000	ST	
130	5.037-288.0	Retainer vac motor above	1.000	ST	
120	5.037-287.0	Retainer vac motor bottom	1.000	ST	
420	5.037-014.0	Rotary controller	1.000	ST	
330	7.303-095.0	Screw 4x 12-ST-10.9-R2R (In6RD)	4.000	ST	
590	7.303-026.0	Screw 4x16 -A2-70 (In6Rd)	2.000	ST	
360	7.303-108.0	Screw 5x20 -10.9-R2R (In6Rd)	44.000	ST	
230	7.303-212.0	Screw 5x20 -A2-70 (In6Rd)	8.000	ST	
220	7.303-086.0	Screw 5x30 -10.9-R2R (K-In6Rd)	8.000	ST	
260	5.515-253.0	Seal D34	1.000	ST	
320	5.037-308.0	Seal fresh water tank	1.000	ST	
180	9.079-024.0	Seal motor above	1.000	ST	
560	6.273-037.0	Seal string cellular rubber 3	0.505	M	TO ORDER AS CUT GOODS
570	6.273-037.0	Seal string cellular rubber 3	0.810	M	TO ORDER AS CUT GOODS
620	7.312-230.0	Serrated lock washer A4,3-FSt-A3E DIN67	2.000	ST	
400	5.010-977.0	Sheet metal ring	4.000	ST	
480	6.647-513.0	Strain relief	1.000	ZST	
290	4.037-032.0	Suction hose complete	1.000	ST	

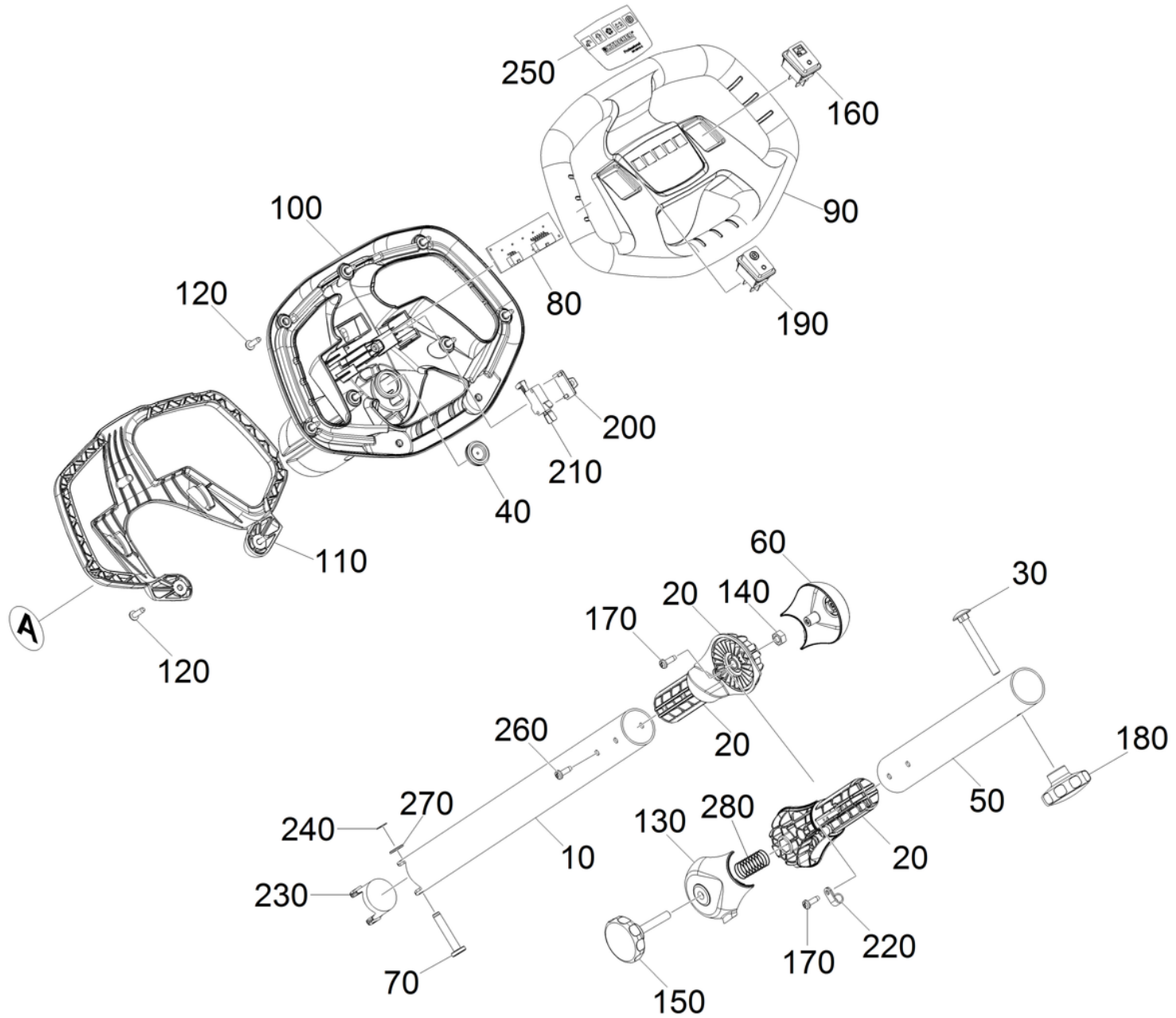
20 Chassis complete *EU

POS	Article no.	Description	Quantity	Unit	Foot note text
600	6.373-862.0	U-Fastening	3.000	ST	
430	6.473-059.0	Vibrating piston pump 24V/50Hz	1.000	ST	VERSION 2
440	6.435-860.0	Wheel cap neutrally BR/BD 40/25 C	2.000	ST	
10	6.435-412.0	Wheel D 200	2.000	ST	



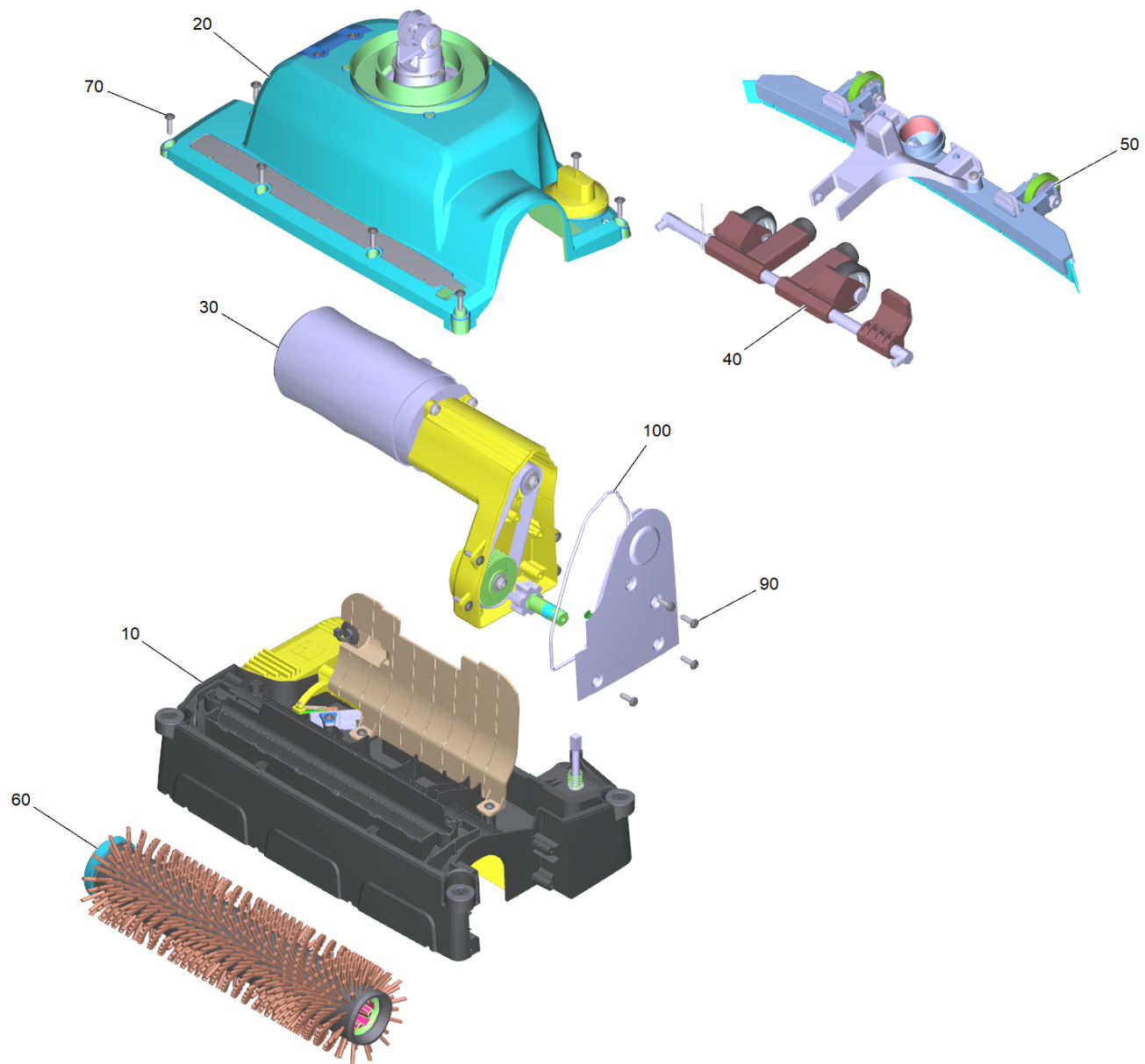
290 Suction hose complete (4.037-032.0)

POS	Article no.	Description	Quantity	Unit
20	5.037-349.0	Hose hanger	2.000	ST
10	5.037-326.0	Sleeve suction hose	2.000	ST



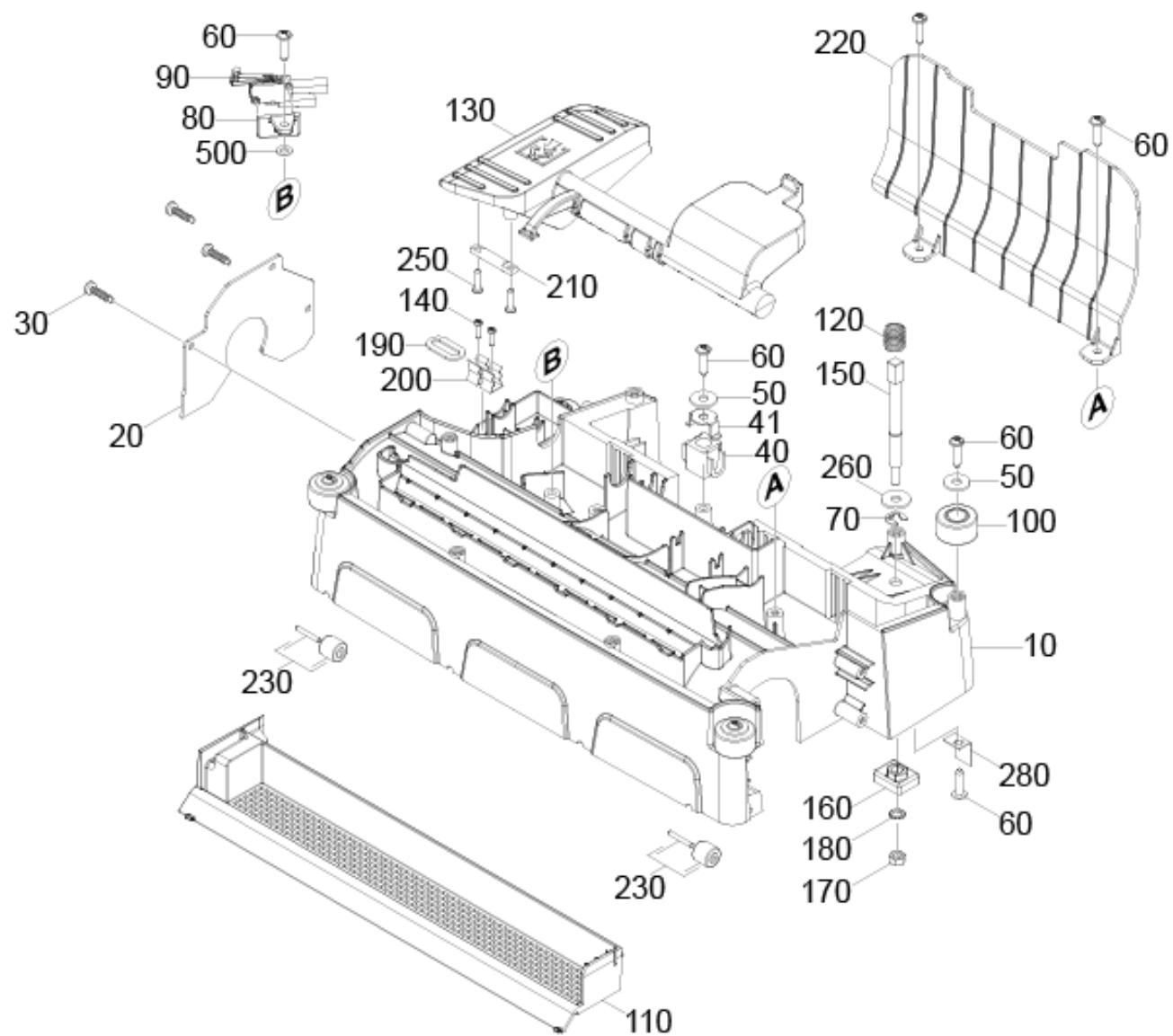
30 Steering pillar complete

POS	Article no.	Description	Quantity	Unit
70	5.037-318.0	Bolt steering pillar	1.000	ST
260	7.303-296.0	Countersunk screw M5x16 -St-A2E (In6Rd)	9.000	ST
60	5.037-295.0	Covering cap joint	1.000	ST
130	5.037-324.0	Covering cap joint cable gland	1.000	ST
80	6.683-114.0	Diode board BR 35/12	1.000	ST
250	5.037-348.0	Foil control panel BR 35/12	1.000	ST
140	7.311-004.0	Hexagon nut M8 -8-A3E ISO 4032	1.000	ST
230	5.037-337.0	Joint part steering pillar	1.000	ST
20	5.037-292.0	Joint steering pillar	2.000	ST
240	7.343-014.0	Locking ring 8x0,8-FST-PHR DIN 471	1.000	ST
220	6.373-343.0	Pipe clamp D 6	1.000	ST
280	5.332-981.0	Pressure spring	1.000	ST
40	5.365-109.0	Profile gasket	1.000	ST
200	5.050-654.0	Retainer micro switch	1.000	ST
110	5.037-319.0	Retaining bracket switch	1.000	ST
30	7.303-291.0	Saucer-head screw M8x70 -St-P2R DIN 603	1.000	ST
170	7.303-107.0	Screw 5x16 -10.9-P2R (K-In6Rd)	4.000	ST
120	7.303-108.0	Screw 5x20 -10.9-R2R (In6Rd)	11.000	ST
150	6.321-179.0	Star grip	1.000	ST
50	5.037-291.0	Steering pillar above	1.000	ST
10	5.037-290.0	Steering pillar bottom	1.000	ST
100	5.037-293.0	Steering wheel bottom part	1.000	ST
90	5.037-294.0	Steering wheel top part	1.000	ST
210	6.631-818.0	Switch	1.000	ST
190	6.632-543.0	Switch ECO	1.000	ST
160	6.632-542.0	Switch pump	1.000	ST
180	6.321-177.0	Turning knob yellow D55mm	1.000	ST
270	7.312-004.0	Washer 8 -200HV-A3E ISO 7089	1.000	ST



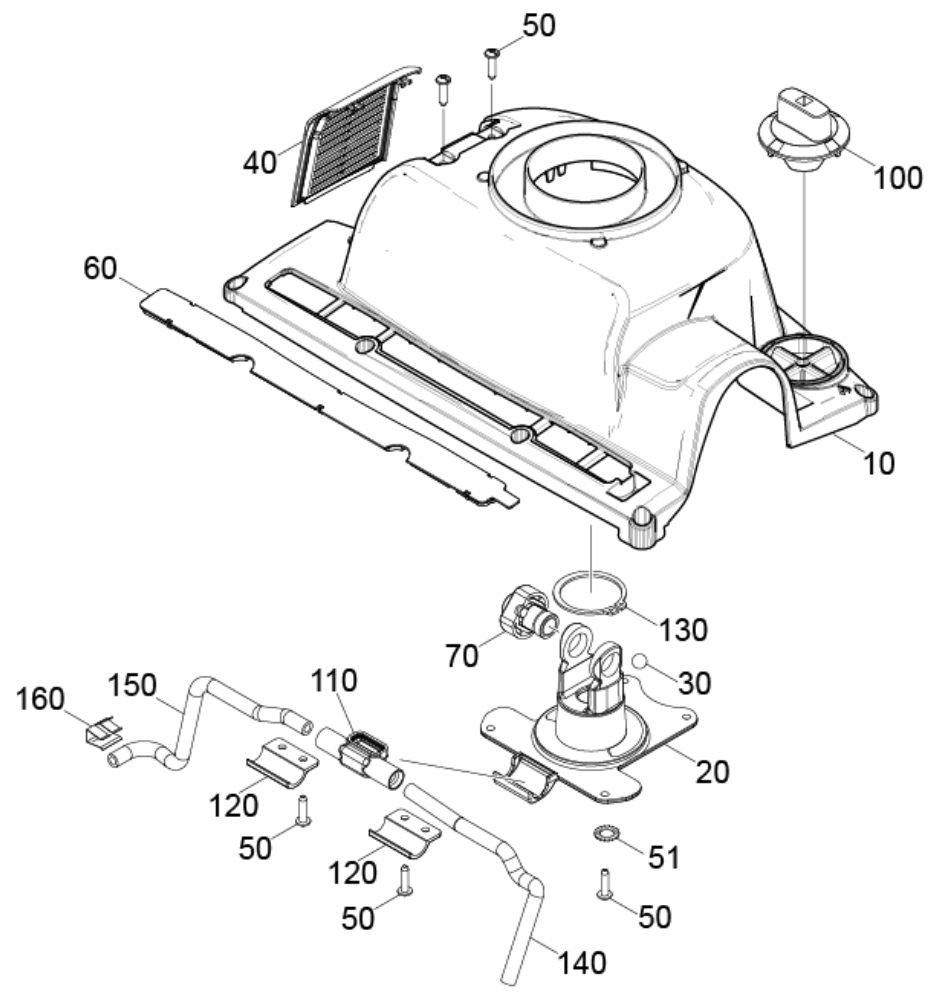
40 Brush-head complete (4.037-153.0)

POS	Article no.	Description	Quantity	Unit	Foot note text
10		Brush housing complete	1.000	ST	
40	4.037-120.0	Carriage complete for replacement	1.000	ST	
80	5.037-275.0	Cover gear case	1.000	ST	
20		Cover plate brush housing complete	1.000	ST	
30		Gear case complete	1.000	ST	
60	4.037-039.0	Roller brush black	1.000	ST	
60	4.037-031.0	Roller brush complete red	1.000	ST	
60	4.037-038.0	Roller brush green	1.000	ST	
60	4.037-037.0	Roller brush orange	1.000	ST	
60	4.037-036.0	Roller brush white	1.000	ST	
70	7.303-108.0	Screw 5x20 -10.9-R2R (In6Rd)	12.000	ST	
90	7.303-039.0	Screw M5x16 -St-P2R (In6Rd)	4.000	ST	
100	6.273-037.0	Seal string cellular rubber 3	1.000	M	TO ORDER AS CUT GOODS
50		Suction bar cpl.	1.000	ST	



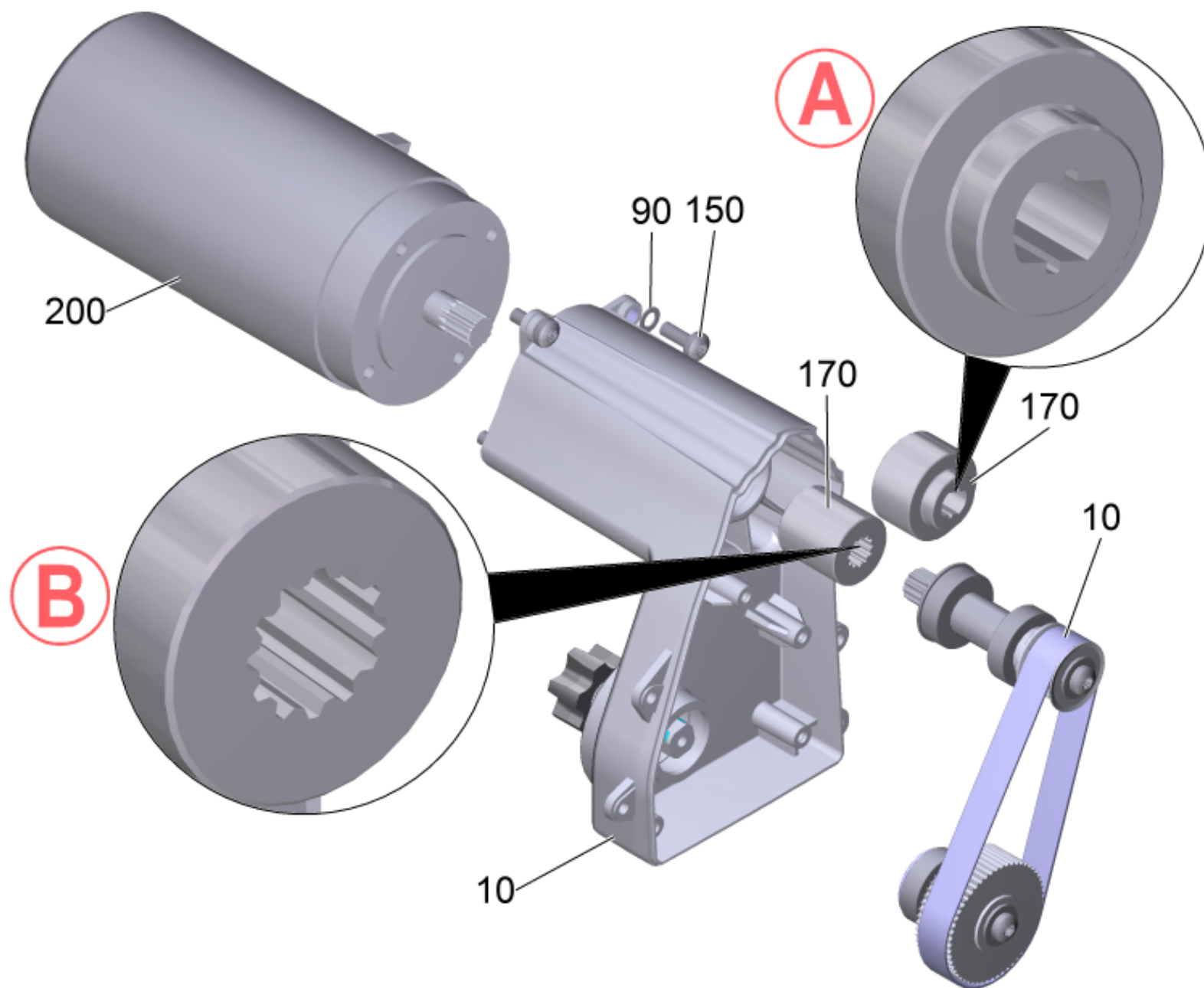
10 Brush housing complete

POS	Article no.	Description	Quantity	Unit	Foot note text
220	5.037-340.0	Baffle plate brush-head	1.000	ST	
10	5.037-254.0	Brush housing	1.000	ST	
100	5.037-262.0	Deflector roll	4.000	ST	
120	5.332-207.0	Helical spring	1.000	ST	
170	7.311-003.0	Hexagon nut M6 -8-A2E ISO 4032	1.000	ST	
70	7.343-300.0	Lock washer 7-A2 DIN 6799	1.000	ST	
90	6.630-438.0	Micro switch	1.000	ST	
210	5.037-325.0	Pedal fixing axle	1.000	ST	
190	5.037-354.0	Plate	1.000	ST	
20	5.037-259.0	Plate brush holder	1.000	ST	
280	5.037-008.0	Plate stop	2.000	ST	
80	5.050-654.0	Retainer micro switch	1.000	ST	
130	5.037-265.0	Retaining bracket suction bar	1.000	ST	
41	5.037-856.0	Retaining plate suction beam retraction	1.000	ST	
230	4.880-058.0	Roller set	1.000	ST	
140	6.303-557.0	Screw 3x12 Kombitorx T8	2.000	ST	
250	7.303-129.0	Screw 4x16 -10.9-R2R (K-In6Rd)	2.000	ST	
60	7.303-108.0	Screw 5x20 -10.9-R2R (In6Rd)	6.000	ST	
30	7.303-212.0	Screw 5x20 -A2-70 (In6Rd)	4.000	ST	
180	7.312-232.0	Serrated lock washer A6,4-FSt-A3E DIN 6	1.000	ST	
160	5.037-303.0	Slide part height adjustment	1.000	ST	
200	6.330-410.0	Spring clip X130-8L	2.000	ST	
110	5.037-263.0	Sweep drawer	1.000	ST	
40	5.037-855.0	Swivel joint suction beam retraction	1.000	ST	
150	5.037-302.0	Threaded part	1.000	ST	
500	7.312-002.0	Washer 5-200HV-A3E ISO 7089	1.000	ST	ORDER ACCORDING TO CONSUMPTION
50	7.312-292.0	Washer 6 -A2 ISO 7093-1	2.000	ST	
260	7.312-004.0	Washer 8 -200HV-A3E ISO 7089	1.000	ST	



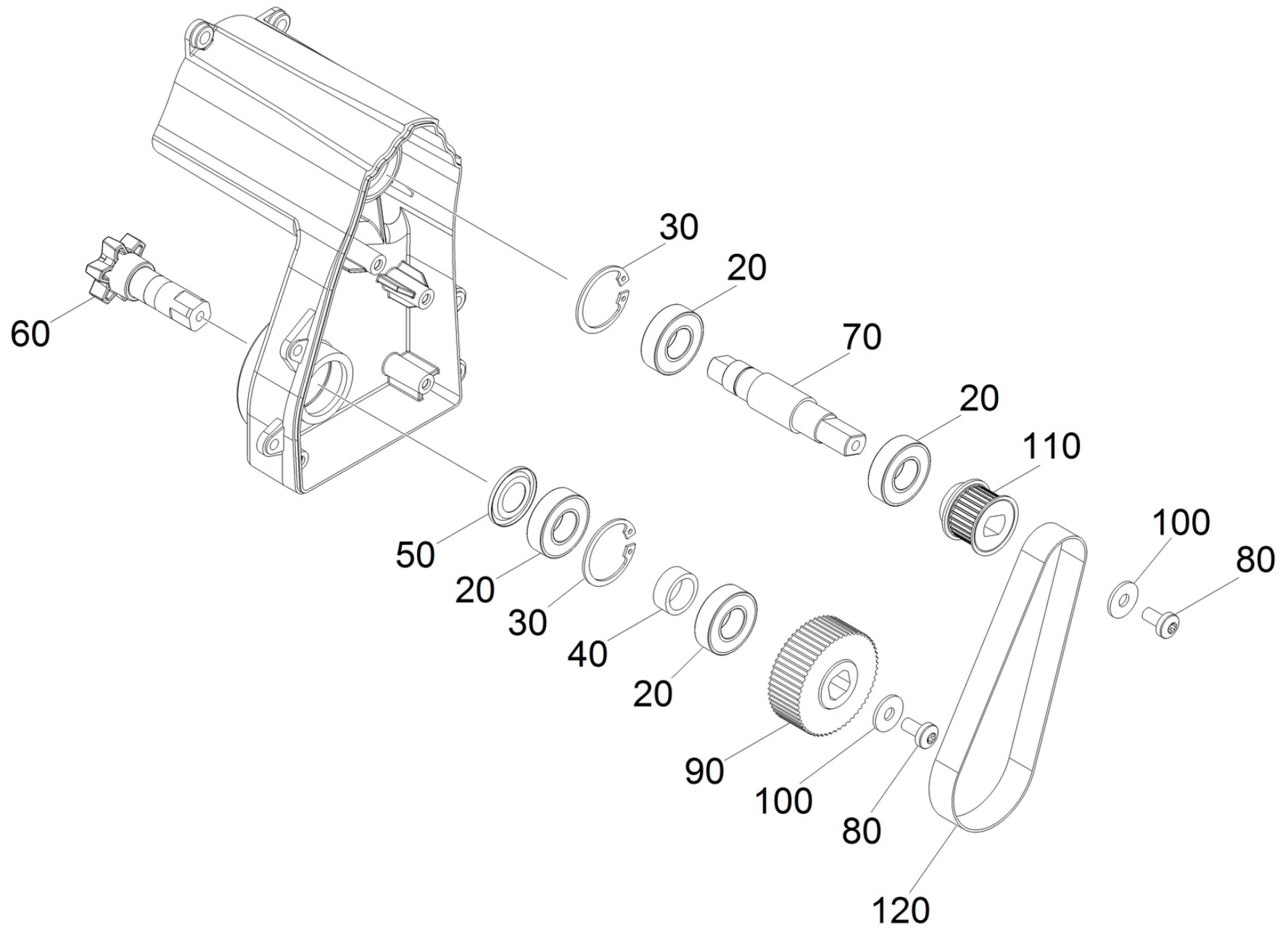
20 Cover plate brush housing complete

POS	Article no.	Description	Quantity	Unit	Foot note text
70	4.037-004.0	Bearing set	1.000	ST	
100	5.037-301.0	Button height adjustment	1.000	ST	
10	5.037-851.0	Cover plate brush housing	1.000	ST	
40	5.037-268.0	Cover refrigeration motor	1.000	ST	
60	5.037-269.0	Cover water distribution	1.000	ST	
120	5.037-309.0	Fixing axle	2.000	ST	
20	5.037-267.0	Fixing brush-head	1.000	ST	
140	6.391-341.0	Hose chemistry DN 6	1.000	M	
150	6.391-341.0	Hose chemistry DN 6	1.000	M	TO ORDER AS CUT GOODS
130	7.343-019.0	Locking ring 45x1,75-FST-RF DIN 471	1.000	ST	
50	7.303-108.0	Screw 5x20 -10.9-R2R (In6Rd)	8.000	ST	
51	7.312-231.0	Serrated lock washer A5,3 -FSt-A3E DIN6	4.000	ST	
30	7.401-917.0	Sphere 10,0 G100-1.4301 DIN 5401	1.000	ST	
110	5.037-493.0	T-Piece cleaning agents	1.000	ST	
160	6.373-008.0	U-Fastening	1.000	ST	



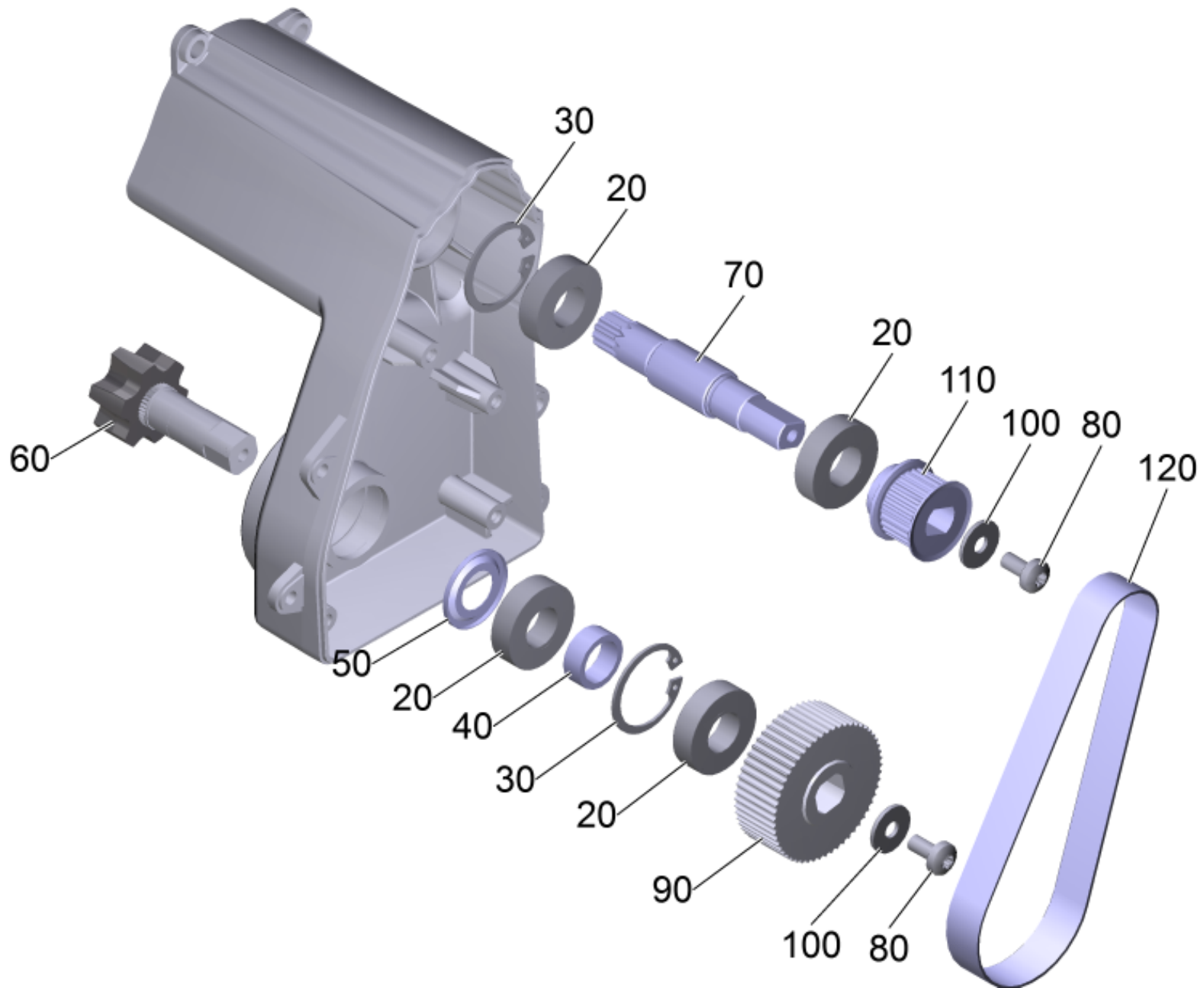
30 Gear case complete

POS	Article no.	Description	Quantity	Unit	Foot note text
170	6.037-005.0	Coupler	1.000	ST	VERSION B
170	5.037-313.0	Coupler	1.000	ST	VERSION A
10	4.037-033.0	Gear case replacement	1.000	ST	VERSION A
10	4.037-117.0	Gear case replacement	1.000	ST	VERSION B
200	6.613-506.0	Motor Rotomag	1.000	ST	VERSION B
200	6.613-282.0	Motor Rotomag	1.000	ST	VERSION A
150	7.306-090.0	Screw M6x16 -8.8-P2R (In6Rd)	4.000	ST	
90	7.312-232.0	Serrated lock washer A6,4-FSt-A3E DIN 6	4.000	ST	



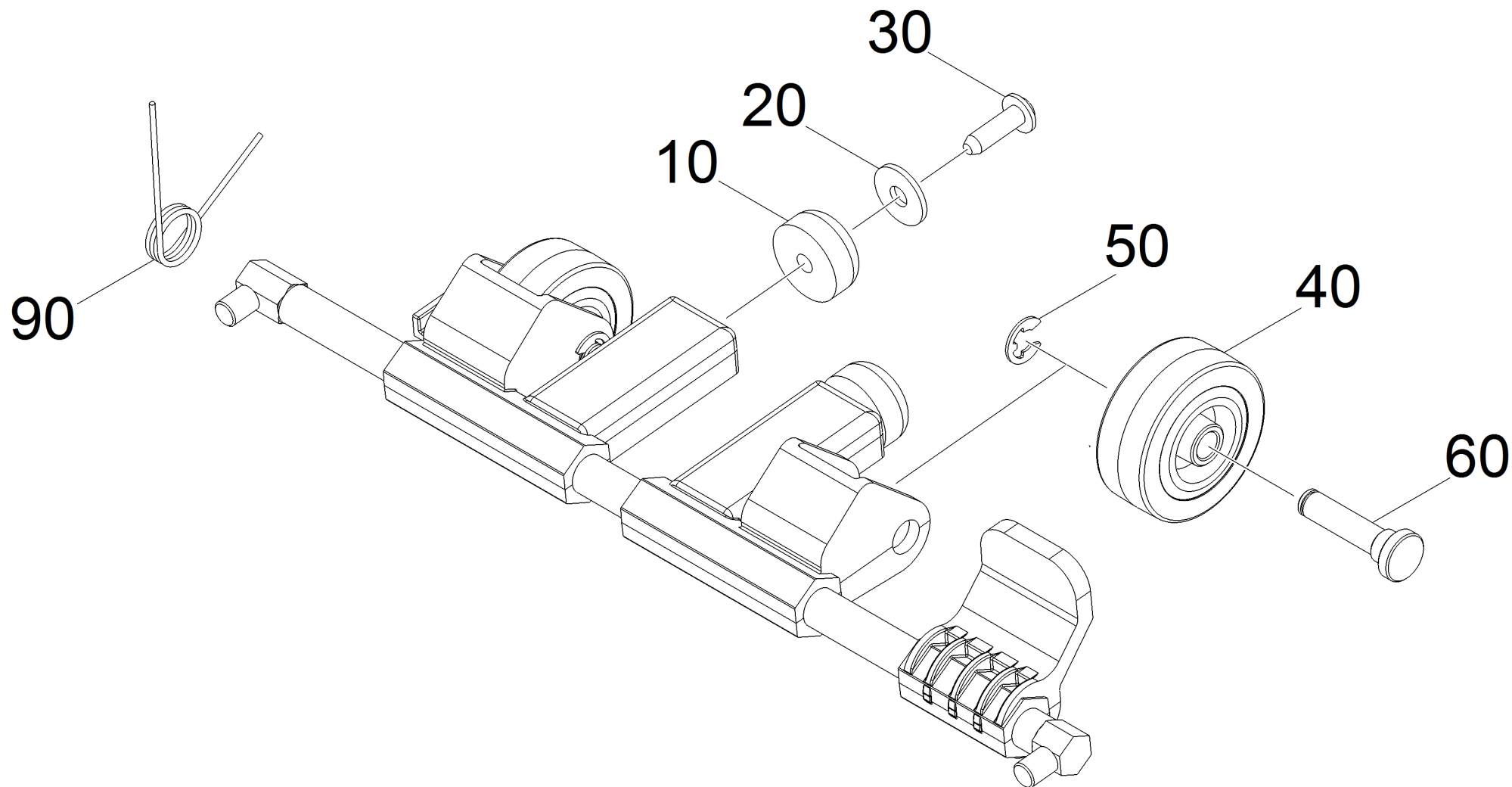
10 Gear case replacement (4.037-033.0)

POS	Article no.	Description	Quantity	Unit
20	7.401-115.0	Ball bearing 6002-2RS -WAE LZLAGST DIN 62	4.000	ST
110	5.037-276.0	Belt pulley Z28	1.000	ST
90	5.037-874.0	Belt pulley Z56	1.000	ST
60	5.100-571.0	Driveshaft 59mm	1.000	ST
50	6.363-292.0	Joint ring NILOS 6002	1.000	ST
30	7.343-231.0	Locking ring 32x1,2 -St-ph DIN 472	2.000	ST
80	6.304-180.0	Screw M6X12-A2/70-ISO7045 (IN6RD)	2.000	ST
70	5.037-274.0	Shaft gear	1.000	ST
40	5.110-686.0	Spacer sleeve	1.000	ST
120	6.348-480.0	Toothed belt	1.000	ST
100	7.312-292.0	Washer 6 -A2 ISO 7093-1	2.000	ST



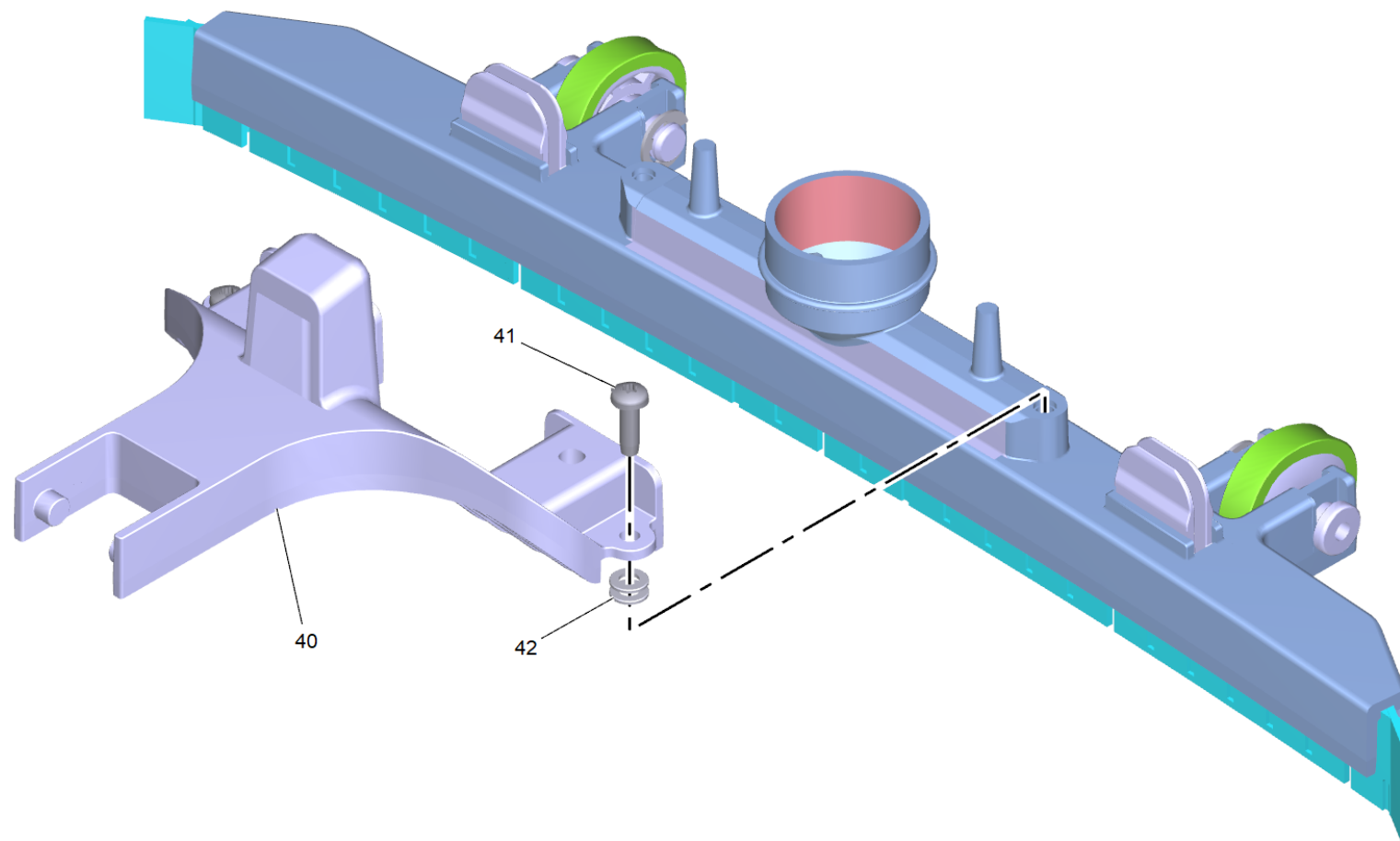
10 Gear case replacement (4.037-117.0)

POS	Article no.	Description	Quantity	Unit
20	7.401-115.0	Ball bearing 6002-2RS -WAEZLAGST DIN 62	4.000	ST
110	5.037-276.0	Belt pulley Z28	1.000	ST
90	5.037-874.0	Belt pulley Z56	1.000	ST
50	6.363-292.0	Joint ring NILOS 6002	1.000	ST
30	7.343-231.0	Locking ring 32x1,2 -St-ph DIN 472	2.000	ST
80	6.304-180.0	Screw M6X12-A2/70-ISO7045 (IN6RD)	2.000	ST
70	6.037-006.0	Shaft brushes drive	1.000	ST
40	5.110-686.0	Spacer sleeve	1.000	ST
60	5.037-497.0	Star carrier PU	1.000	ST
120	6.348-480.0	Toothed belt	1.000	ST
100	7.312-292.0	Washer 6 -A2 ISO 7093-1	2.000	ST



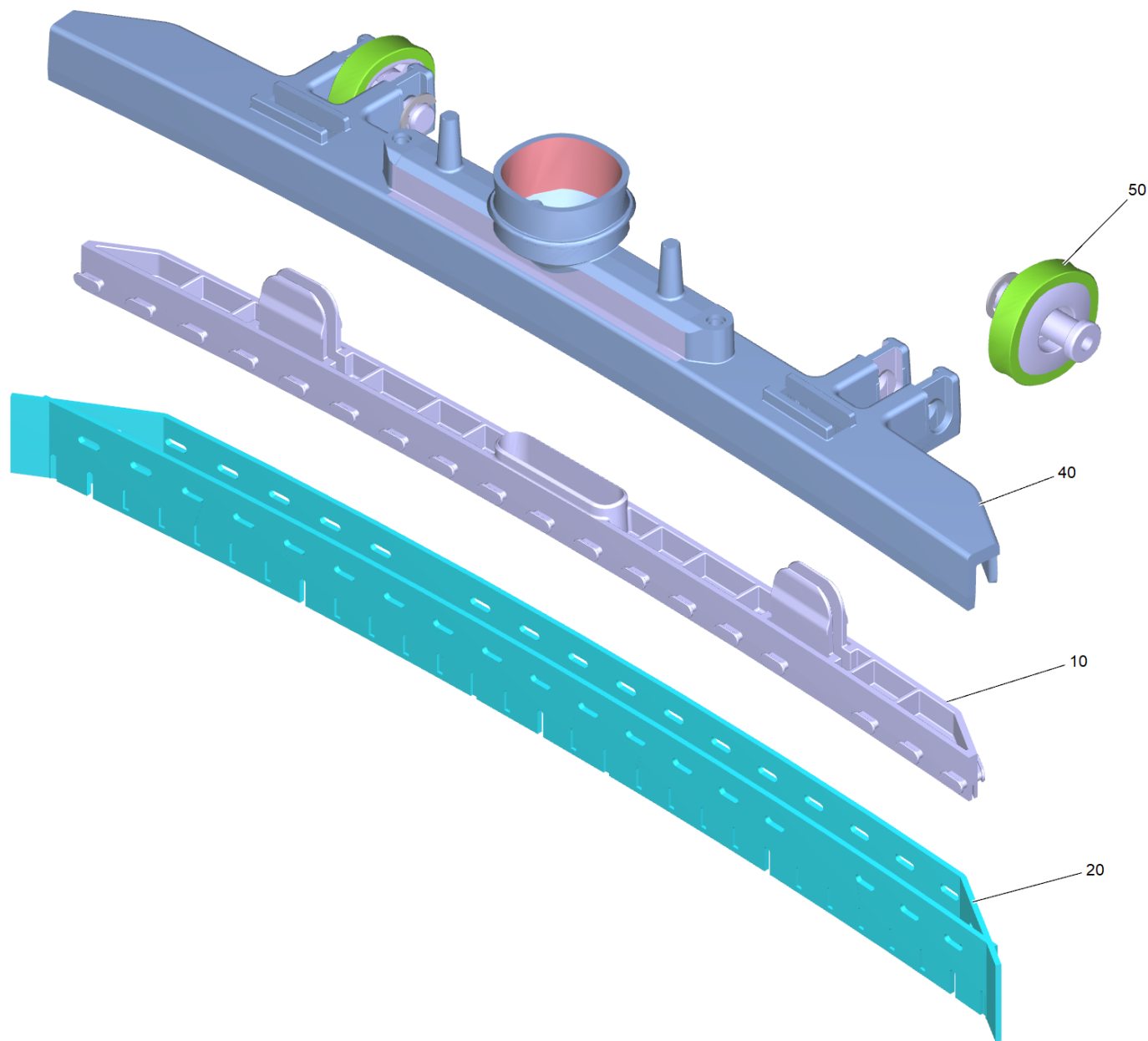
40 Carriage complete for replacement (4.037-120.0)

POS	Article no.	Description	Quantity	Unit
60	5.037-314.0	Axle wheel height adjustment	2.000	ST
90	5.037-346.0	Leg spring	1.000	ST
50	7.343-300.0	Lock washer 7-A2 DIN 6799	2.000	ST
30	7.303-108.0	Screw 5x20 -10.9-R2R (In6Rd)	2.000	ST
10	5.031-519.0	Stand foot	2.000	ST
20	7.312-278.0	Washer 5-200HV-A2E ISO7093-1	2.000	ST
40	6.435-309.0	Wheel oil resistant D50	2.000	ST



50 Suction bar cpl.

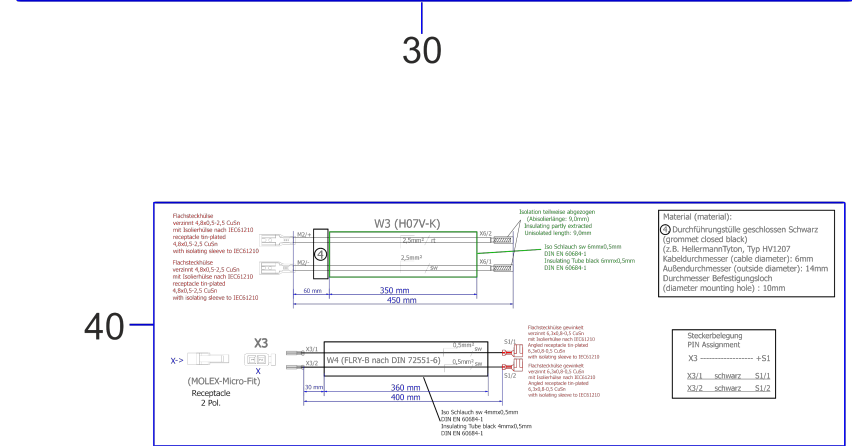
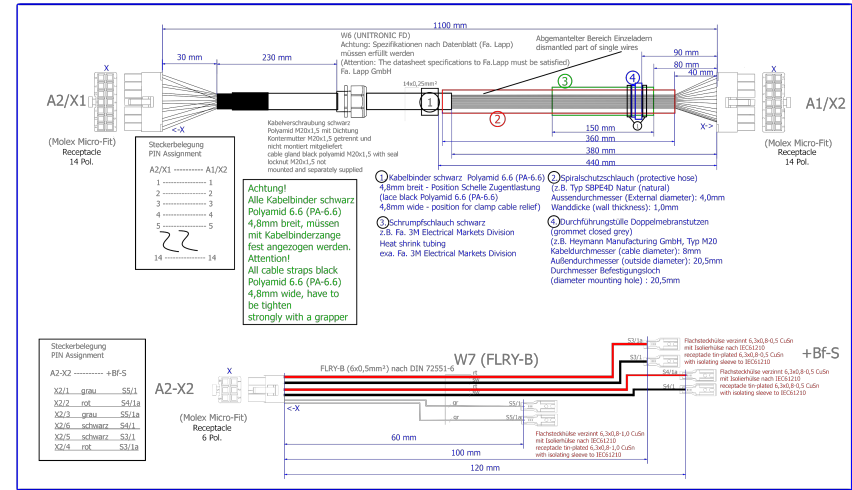
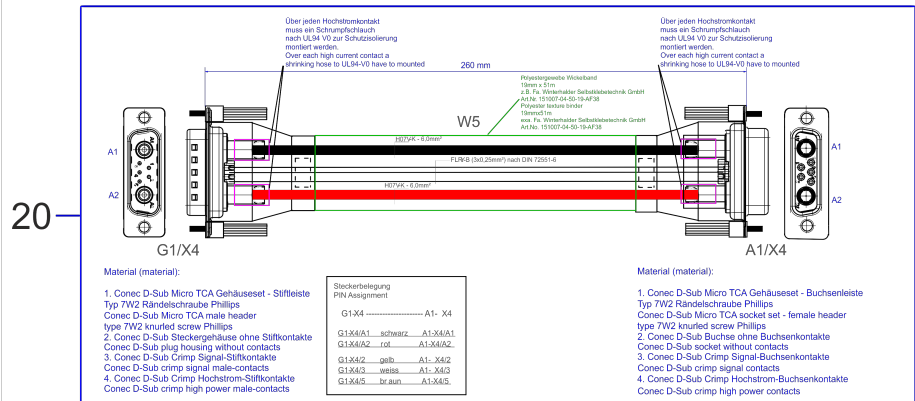
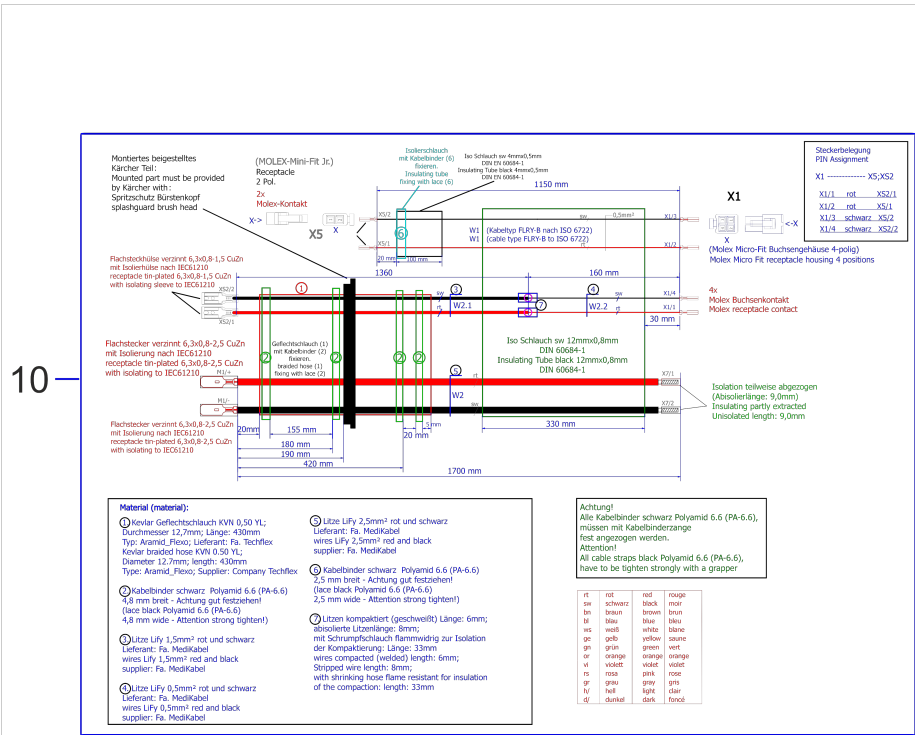
POS	Article no.	Description	Quantity	Unit
40	5.037-853.0	Retainer suction bar	1.000	ST
41	7.303-314.0	Screw M5x16 -St-GE3A/VL (In6Rd)	2.000	ST
10	4.037-162.0	Suction bar replacement	1.000	ST
42	7.312-058.0	Washer 5 -A2 ISO 7089	4.000	ST



10 Suction bar replacement (4.037-162.0)

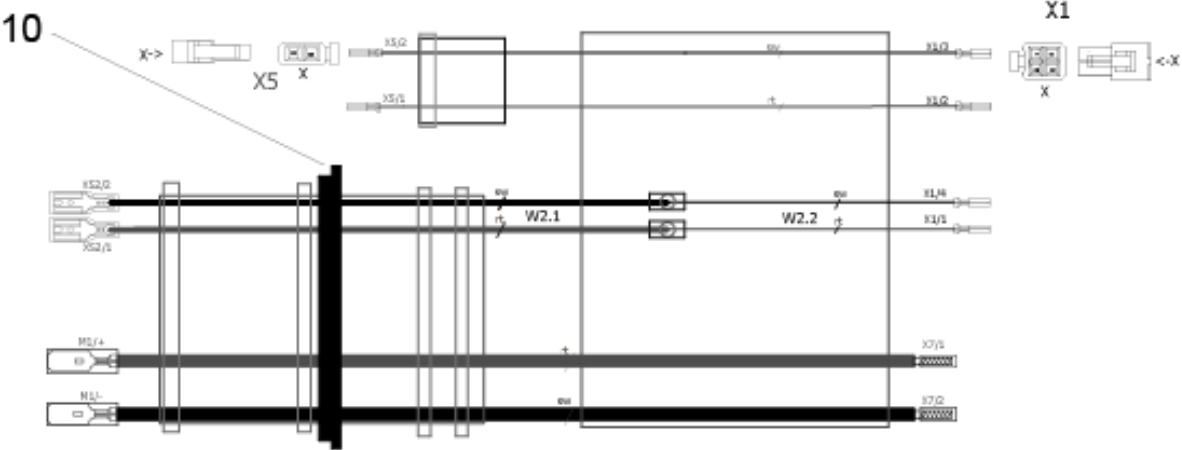
POS	Article no.	Description	Quantity	Unit
50	4.037-161.0	Set wheel suction bar	2.000	ST
10	5.037-282.0	Suction bar internal part	1.000	ST
40	5.037-852.0	Suction bar top part	1.000	ST
20	4.037-035.0	Suction lip set	1.000	ST
20	4.037-127.0	Suction lip set Linatex BR 35/12	1.000	ST

50 Cable harness BR35/12 BP



50 Cable harness BR35/12 BP

POS	Article no.	Description	Quantity	Unit
20	4.822-103.0	Cable accumulator	1.000	ST
10	4.823-075.0	Cable harness brush-head	1.000	ST
40	4.822-120.0	Cable harness small type parts turbine	1.000	ST
30	4.822-113.0	Cable harness steering wheel steering pi	1.000	ST



10 Cable harness brush-head (4.823-075.0)

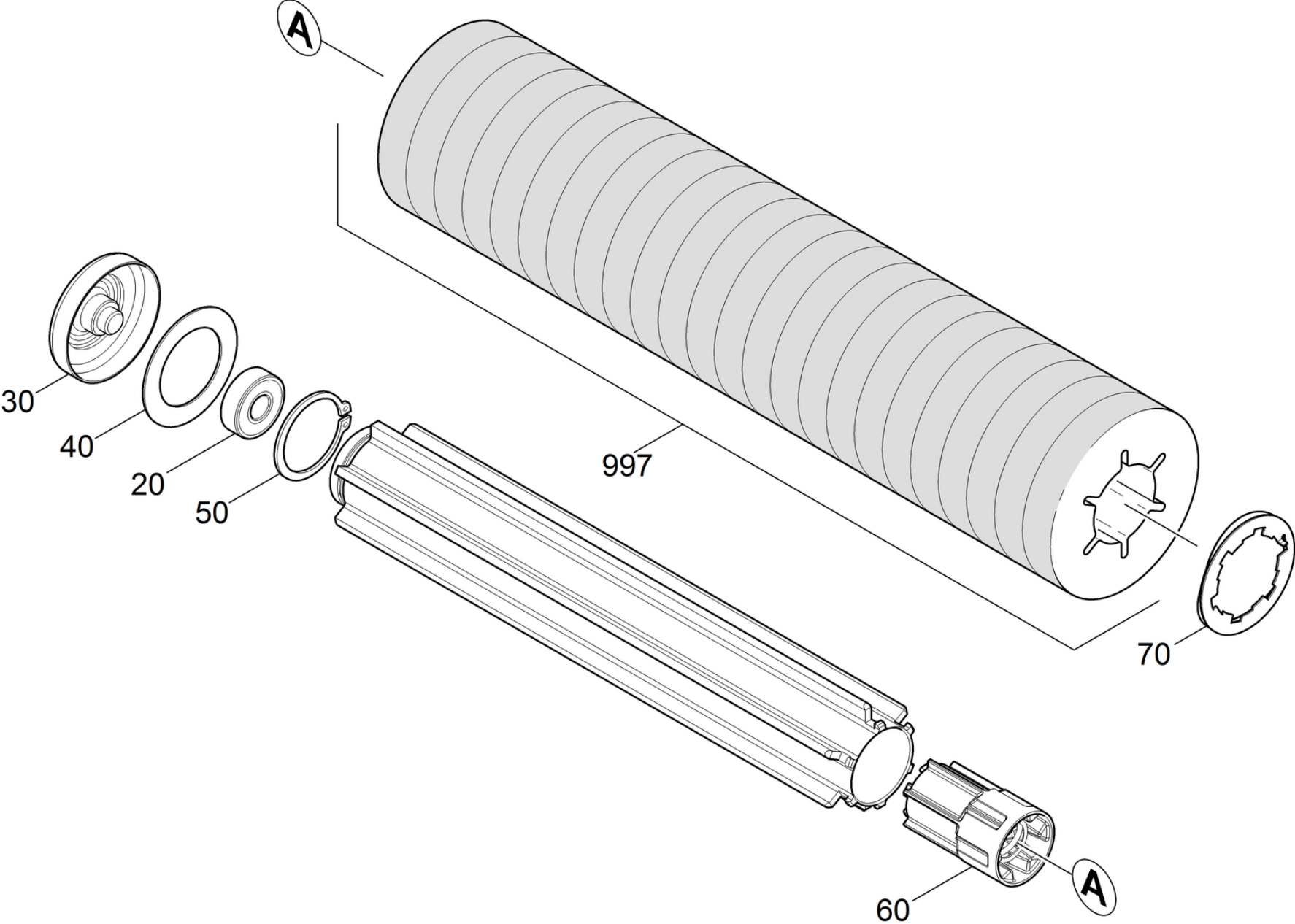
POS	Article no.	Description	Quantity	Unit
10	5.037-332.0	Splash guard brush-head	1.000	ST

50 Cable harness BR 35/12 Bp

POS	Article no.	Description	Quantity	Unit
20	4.822-103.0	Cable accumulator	1.000	ST
10	4.823-193.0	Cable harness brush-head	1.000	ST
40	4.822-120.0	Cable harness small type parts turbine	1.000	ST
30	4.822-113.0	Cable harness steering wheel steering pi	1.000	ST

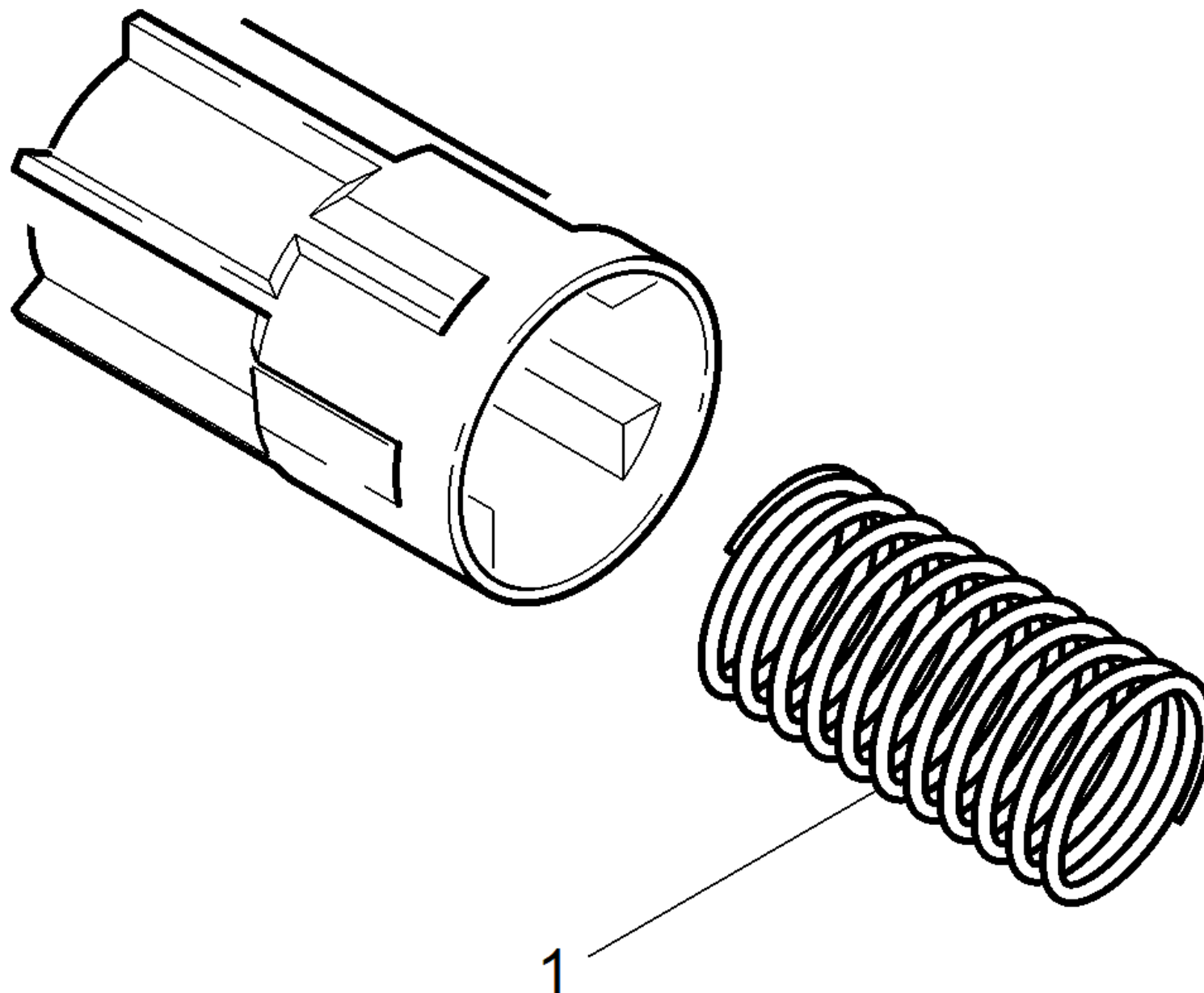
10 Cable harness brush-head (4.823-193.0)

POS	Article no.	Description	Quantity	Unit
10	5.037-332.0	Splash guard brush-head	1.000	ST



100 Roll pad BR35/12 (4.762-009.0)

POS	Article no.	Description	Quantity	Unit
20	7.401-169.0	Ball bearing 6201-2RS-WAELZLAGST DIN 625	1.000	ST
60	5.120-313.0	Hub pad roll BR VS	1.000	ST
50	7.343-030.0	Locking ring 40x1,75-EDST DIN 471	1.000	ST
997	9.302-688.0	PAD GREEN DIAM.96mm (SET 25 UNIT)	1.000	ST
997	6.369-052.0	Pad green with sleeve BR 35/12	1.000	ST
997	6.369-047.0	Pad red with sleeve BR 35/12	1.000	ST
997	6.369-053.0	Pad yellow with sleeve BR35/12	1.000	ST
40	5.005-266.0	Ronde	1.000	ST
30	4.038-677.0	Sheet metal component thread deflector	1.000	ST
70	4.115-003.0	Washer closure	1.000	ST



60 Hub pad roll BR VS (5.120-313.0)

POS	Article no.	Description	Quantity	Unit
1	5.332-469.0	Helical spring	1.000	ST

997 PAD GREEN DIAM.96mm (SET 25 UNIT) (9.302-688.0)

POS	Article no.	Description	Quantity	Unit
1	9.380-066.0	PAD - GREEN DIAM.96mm	25.000	ST
3		PLASTIC BAG 276 x 450 PE	1.000	ST

1 PAD - GREEN DIAM.96mm (9.380-066.0)

POS	Article no.	Description	Quantity	Unit
1	9.397-012.0	GREEN PU FOR PAD 220MM	55.555	ZST

110 Micro-fibre roll (4.037-040.0)

POS	Description	Quantity	Unit
10	Carrier micro-fibre	2.000	ST
20	Sleeve micro-fibre	0.100	ZST