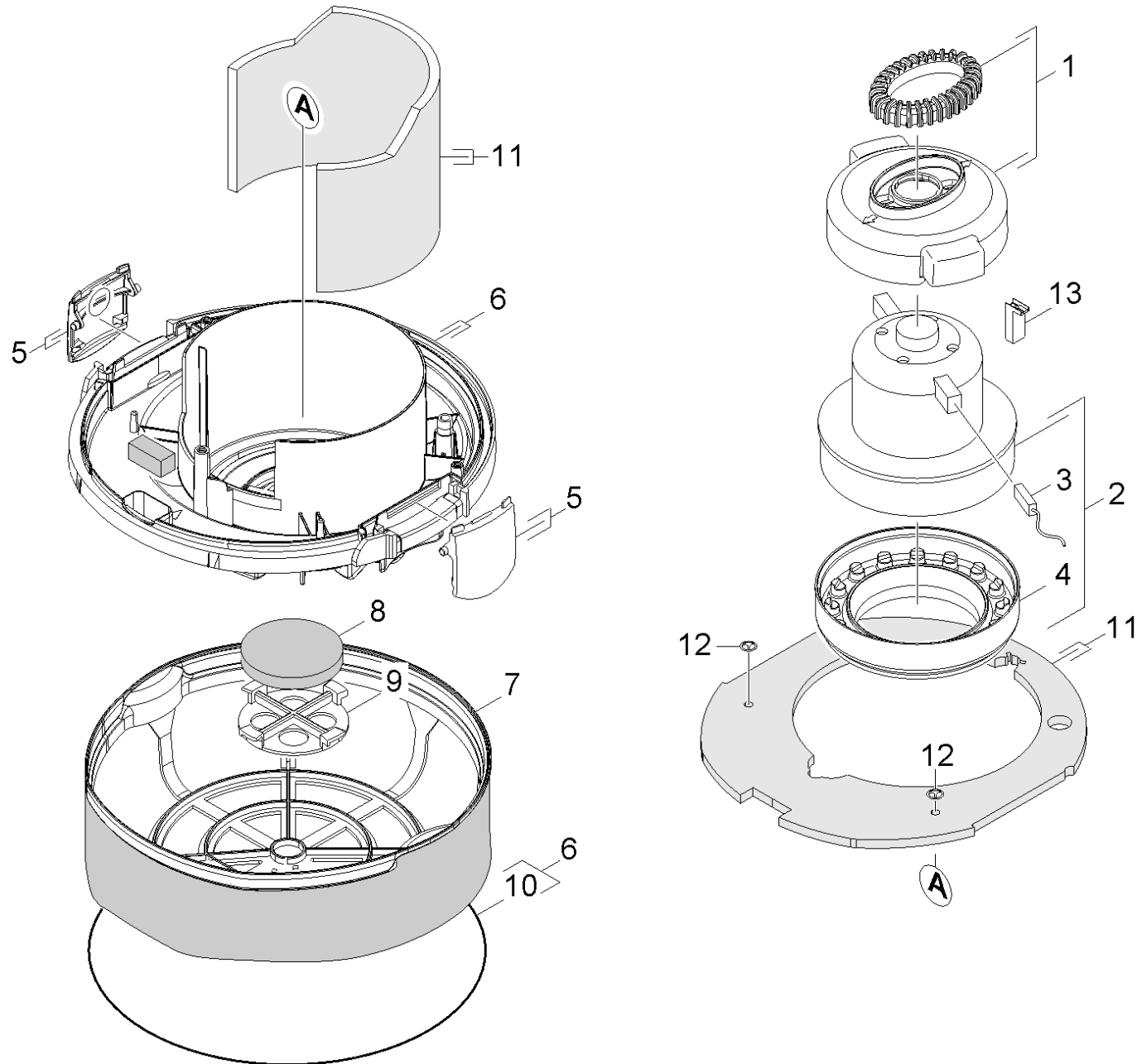


# 20 Vacuum motor

Professional \ Vacuum cleaner \ Dry vacuum cleaner \ T 10/1 \*EU \ Spare parts list T 10/1 \*EU \ Vacuum motor



## 20 Vacuum motor

Professional \ Vacuum cleaner \ Dry vacuum cleaner \ T 10/1 \*EU \ Spare parts list T 10/1 \*EU \ Vacuum motor

**KÄRCHER**

POS	Article no.	Description	Quantity	Unit
4	5.363-618.0	Bearing motor bottom T12/1	1.000	ST
3	6.610-258.0	Carbon brush set	1.000	ST
8	6.414-611.0	Filter 5 St.	1.000	ZSA
7	5.731-649.0	Filtering basket packaged	1.000	ST
9	5.032-674.0	Grate filter motor protecting	1.000	ST
6	4.605-121.0	Housing complete	1.000	ST
1	4.605-071.0	Housing turbine complete	1.000	ST
11	6.286-505.0	Insulating mat set	1.000	ST
5	5.033-412.0	Locking clip	2.000	ST
12	6.343-145.0	Lock washer 5	2.000	ST
10	6.273-261.0	Seal string cellular rubber D6 850 +/-5	1.000	ST
13	6.490-274.0	Thermal switch 125°C	1.000	ST
2	4.610-066.0	Vacuum motor complete 230V	1.000	ST