

Spare parts list

(4.767-001.0) Triple jet nozzle 034

Table of contents

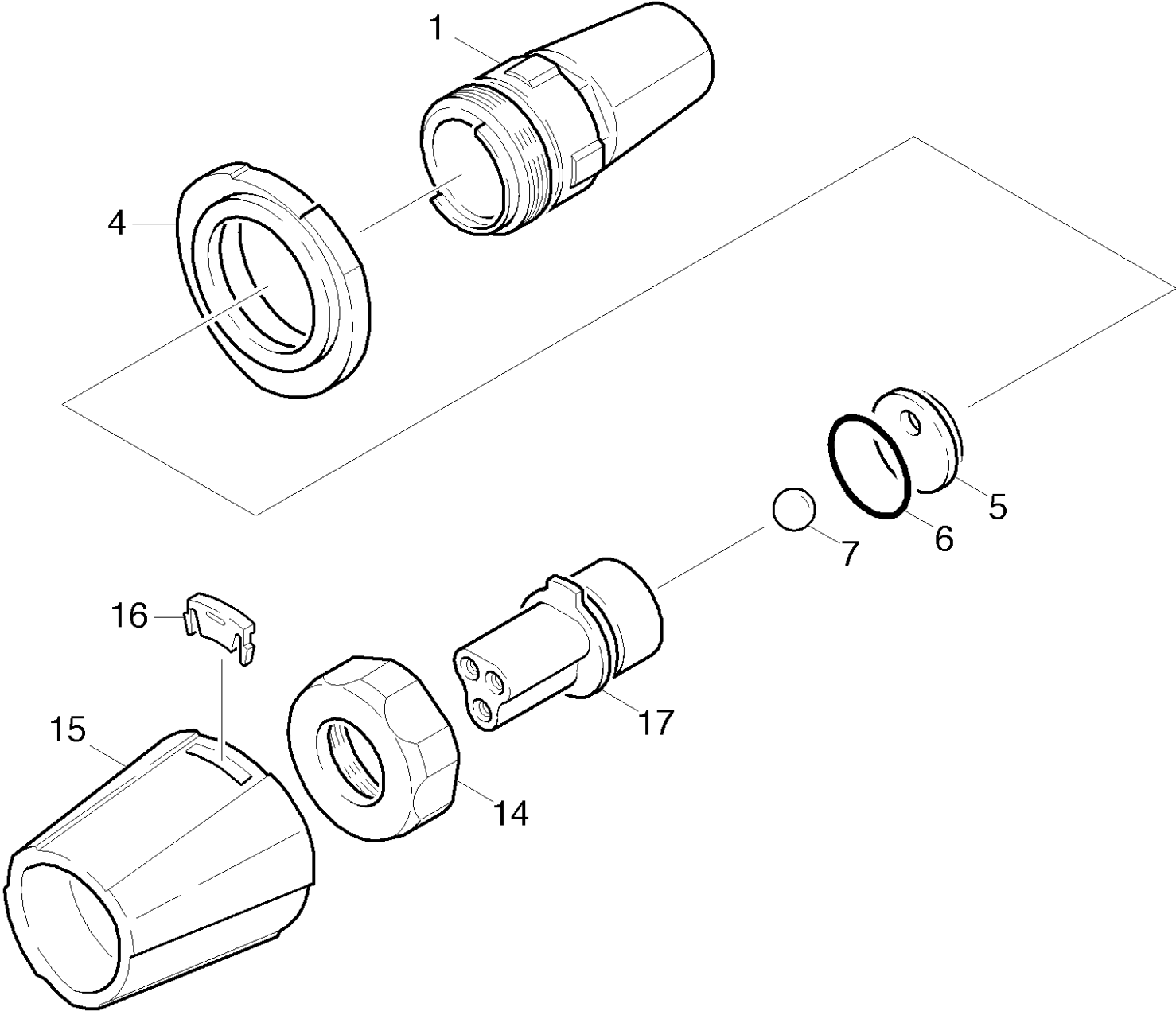
Triple jet nozzle 034 (4.767-001.0)	3
2 Spare parts list triple jet nozzle (5.958-516.0)	4
10 Triple jet nozzle	5
17 Triple jet nozzle replacement 036 (4.767-148.0)	7
2 Spare parts list triple jet nozzle (5.970-837.0)	8
10 Triple jet nozzle plastics	9
20 Triple jet nozzle brass	11
17 Triple jet nozzle replacement 036 (4.767-148.0)	13
2 Spare parts list triple jet nozzle (5.970-837.0)	14
10 Triple jet nozzle plastics	15
20 Triple jet nozzle brass	17

Triple jet nozzle 034 (4.767-001.0)

POS	Article no.	Description	Quantity	Unit
2	5.958-516.0	Spare parts list triple jet nozzle	1	PC
Item text2: 47670010				

2 Spare parts list triple jet nozzle (5.958-516.0)

POS	Description	Quantity	Unit
10	Triple jet nozzle	1	PC



10 Triple jet nozzle

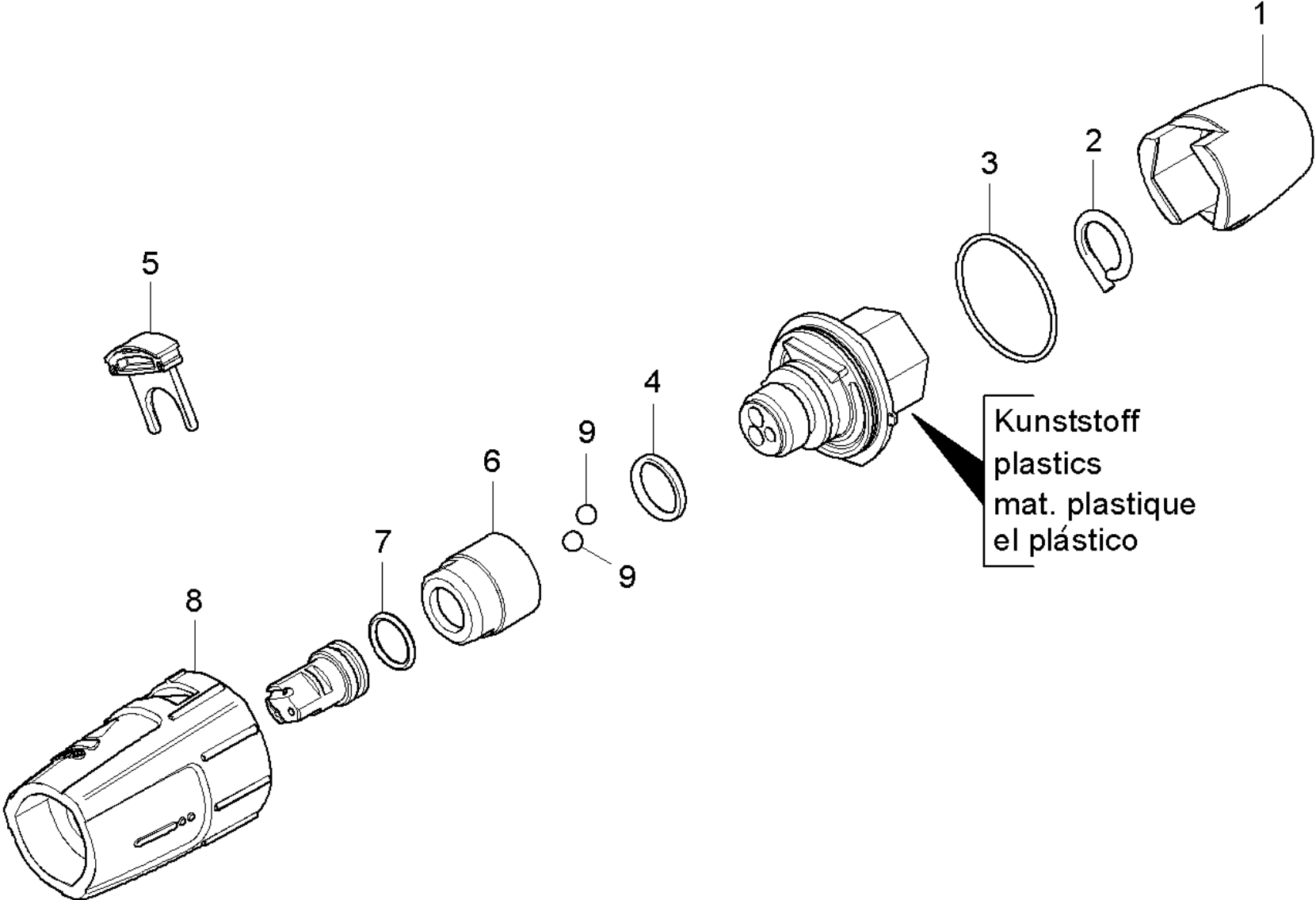
POS	Article no.	Description	Quantity	Unit
1	4.060-395.0	Housing complete only for replacement	1	PC
5	5.031-370.0	Moulded part	1	PC
16	5.031-709.0	Moulded part	1	PC
17	4.764-141.0	Nozzle holder 05	1	PC
17	4.764-138.0	Nozzle holder only for replacement 034	1	PC
17	4.767-015.0	Nozzle holder only for replacement 037	1	PC
17	4.764-139.0	Nozzle holder only for replacement 045	1	PC
17	4.764-148.0	Nozzle holder only for replacement 065	1	PC
6	6.363-612.0	O-Ring seal 22 x 2 -NBR90	1	PC
4	5.394-401.0	Protection part	1	PC
15	5.394-402.0	Protection part	1	PC
7	7.401-917.0	Sphere 10,0 G100-1.4301 DIN 5401	1	PC
17	7.777-999.0	Stockpiling discontinued	1	PC
17	7.777-999.0	Stockpiling discontinued	1	PC
17	7.777-999.0	Stockpiling discontinued	1	PC
17	7.777-999.0	Stockpiling discontinued	1	PC
17	4.767-148.0	Triple jet nozzle replacement 036	1	PC
17	4.767-148.0	Triple jet nozzle replacement 036	1	PC
14	5.311-192.0	Union nut	1	PC

17 Triple jet nozzle replacement 036 (4.767-148.0)

POS	Article no.	Description	Quantity	Unit
2	5.970-837.0	Spare parts list triple jet nozzle	1	PC

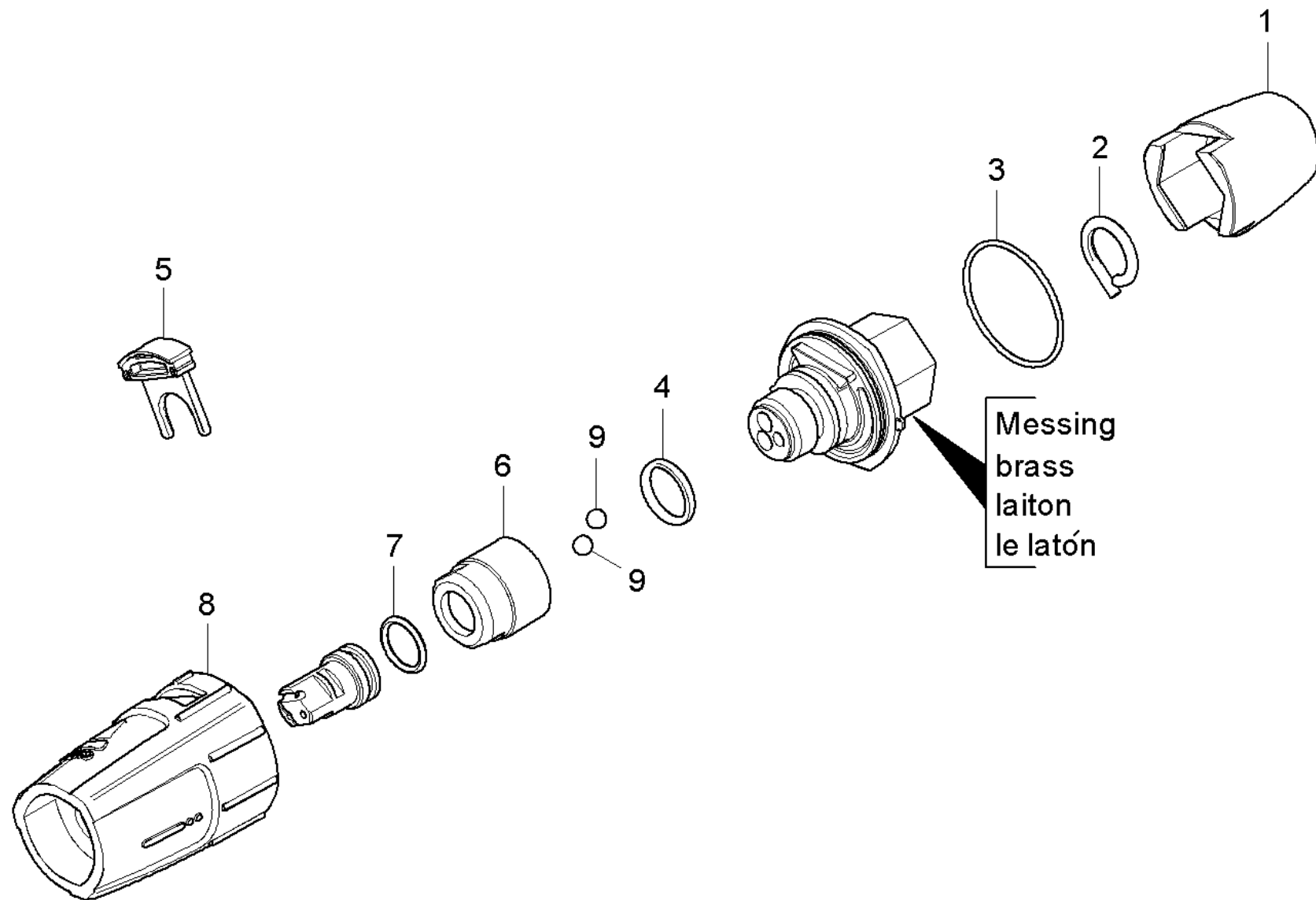
2 Spare parts list triple jet nozzle (5.970-837.0)

POS	Description	Quantity	Unit
20	Triple jet nozzle brass	1	PC
10	Triple jet nozzle plastics	1	PC



10 Triple jet nozzle plastics

POS	Article no.	Description	Quantity	Unit
5	5.321-884.0	Clamp	1	PC
6	5.311-236.0	Nut	1	PC
7	6.362-480.0	O-Ring seal 12,42x 1,78	1	PC
4	7.362-039.0	O-Ring seal 15,5x1,5 -NBR70 DIN 3771	1	PC
3	6.362-409.0	O-Ring seal 32,0 X 1,5	1	PC
2	6.343-150.0	Pin 03	1	PC
8	5.394-874.0	Protection part	1	PC
1	5.394-530.0	Protection part complete	1	PC
9	7.401-902.0	Sphere 5 G20 -1.4034 DIN 5401	2	PC



20 Triple jet nozzle brass

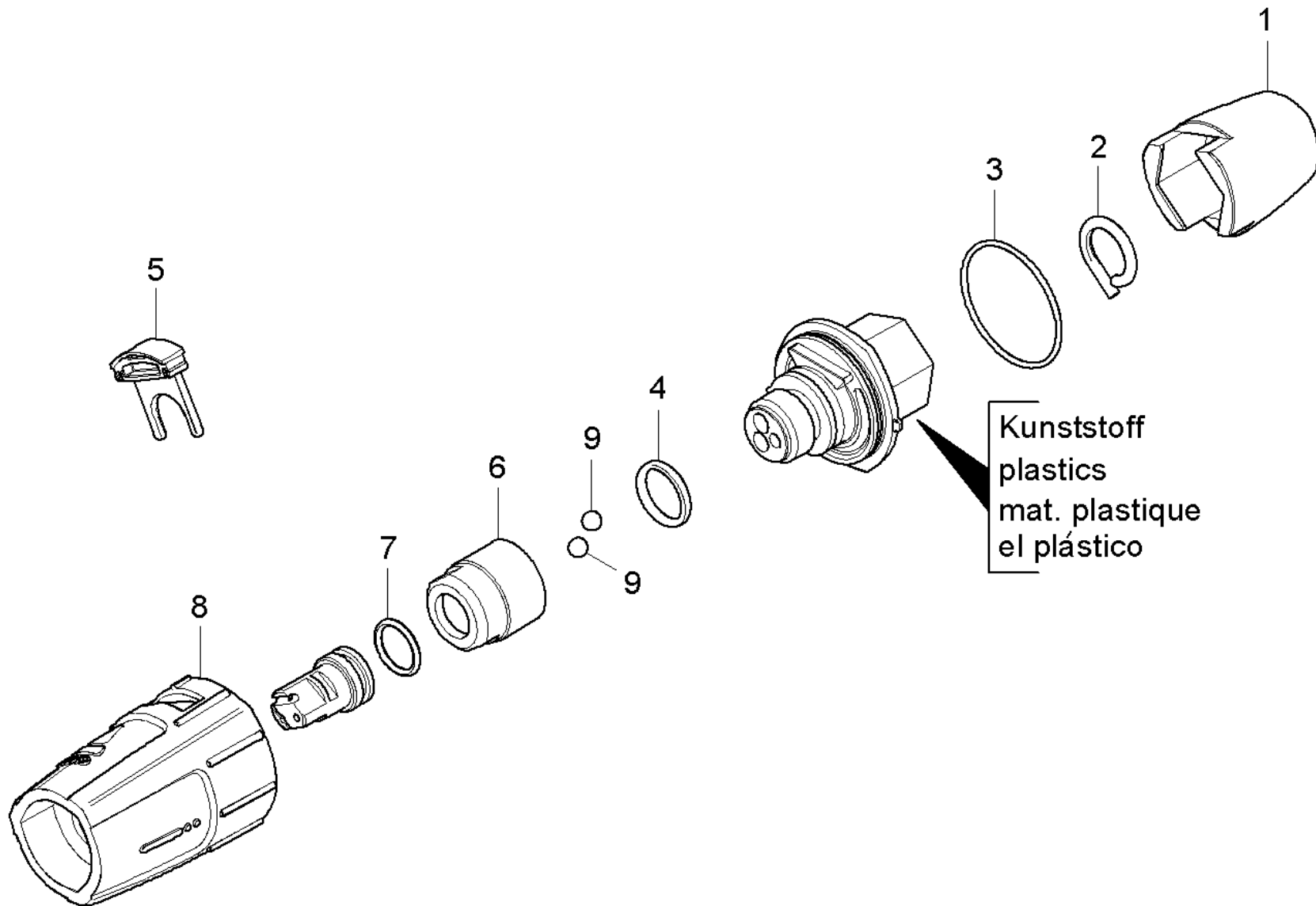
POS	Article no.	Description	Quantity	Unit
5	5.321-884.0	Clamp	1	PC
6	5.311-225.0	Nut	1	PC
7	6.362-480.0	O-Ring seal 12,42x 1,78	1	PC
4	6.362-460.0	O-Ring seal 14,0 X 2,5-NBR 70	1	PC
3	6.362-409.0	O-Ring seal 32,0 X 1,5	1	PC
2	6.343-150.0	Pin 03	1	PC
8	5.394-859.0	Protection part	1	PC
1	5.394-530.0	Protection part complete	1	PC
9	7.401-902.0	Sphere 5 G20 -1.4034 DIN 5401	2	PC

17 Triple jet nozzle replacement 036 (4.767-148.0)

POS	Article no.	Description	Quantity	Unit
2	5.970-837.0	Spare parts list triple jet nozzle	1	PC

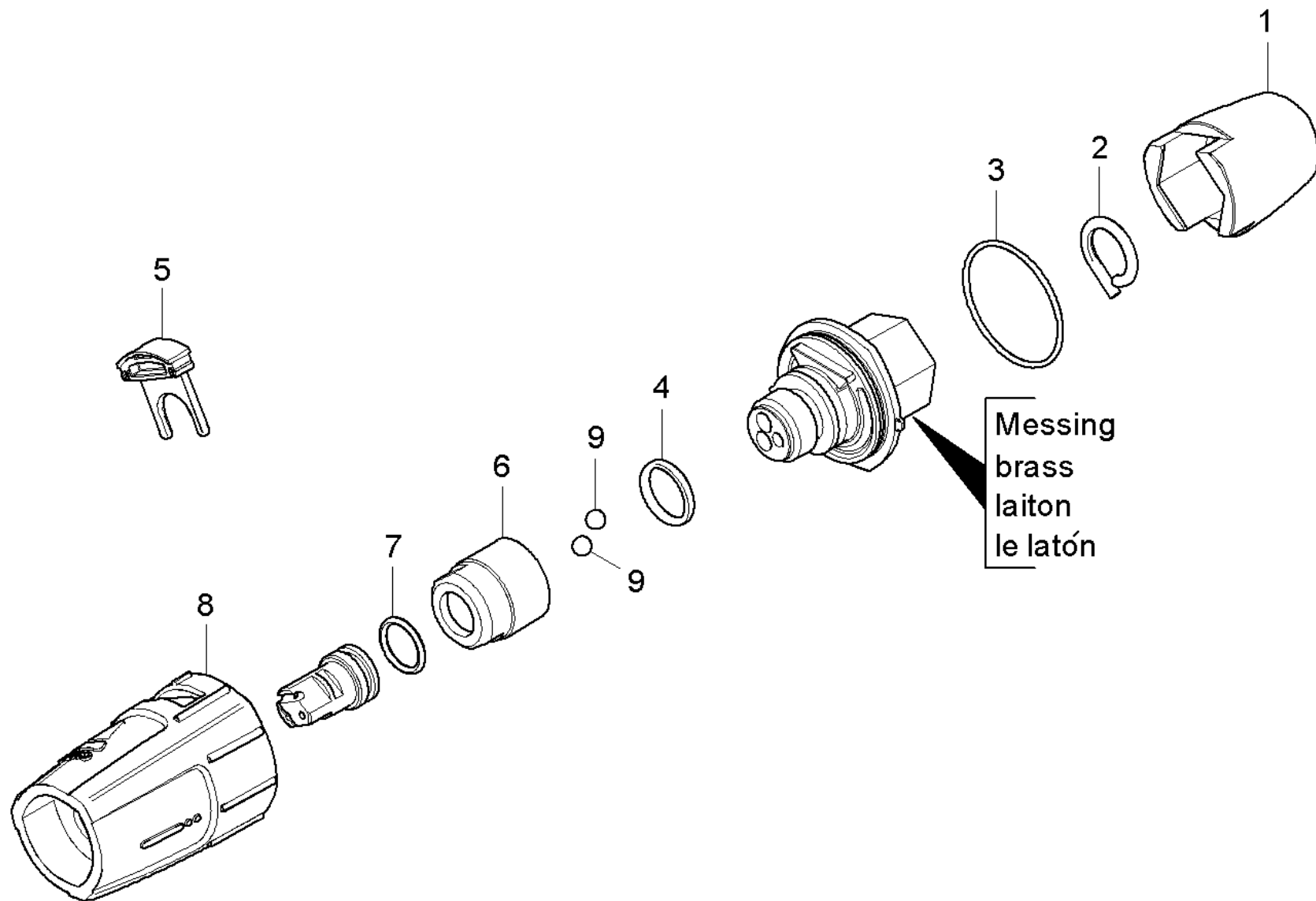
2 Spare parts list triple jet nozzle (5.970-837.0)

POS	Description	Quantity	Unit
20	Triple jet nozzle brass	1	PC
10	Triple jet nozzle plastics	1	PC



10 Triple jet nozzle plastics

POS	Article no.	Description	Quantity	Unit
5	5.321-884.0	Clamp	1	PC
6	5.311-236.0	Nut	1	PC
7	6.362-480.0	O-Ring seal 12,42x 1,78	1	PC
4	7.362-039.0	O-Ring seal 15,5x1,5 -NBR70 DIN 3771	1	PC
3	6.362-409.0	O-Ring seal 32,0 X 1,5	1	PC
2	6.343-150.0	Pin 03	1	PC
8	5.394-874.0	Protection part	1	PC
1	5.394-530.0	Protection part complete	1	PC
9	7.401-902.0	Sphere 5 G20 -1.4034 DIN 5401	2	PC



20 Triple jet nozzle brass

POS	Article no.	Description	Quantity	Unit
5	5.321-884.0	Clamp	1	PC
6	5.311-225.0	Nut	1	PC
7	6.362-480.0	O-Ring seal 12,42x 1,78	1	PC
4	6.362-460.0	O-Ring seal 14,0 X 2,5-NBR 70	1	PC
3	6.362-409.0	O-Ring seal 32,0 X 1,5	1	PC
2	6.343-150.0	Pin 03	1	PC
8	5.394-859.0	Protection part	1	PC
1	5.394-530.0	Protection part complete	1	PC
9	7.401-902.0	Sphere 5 G20 -1.4034 DIN 5401	2	PC