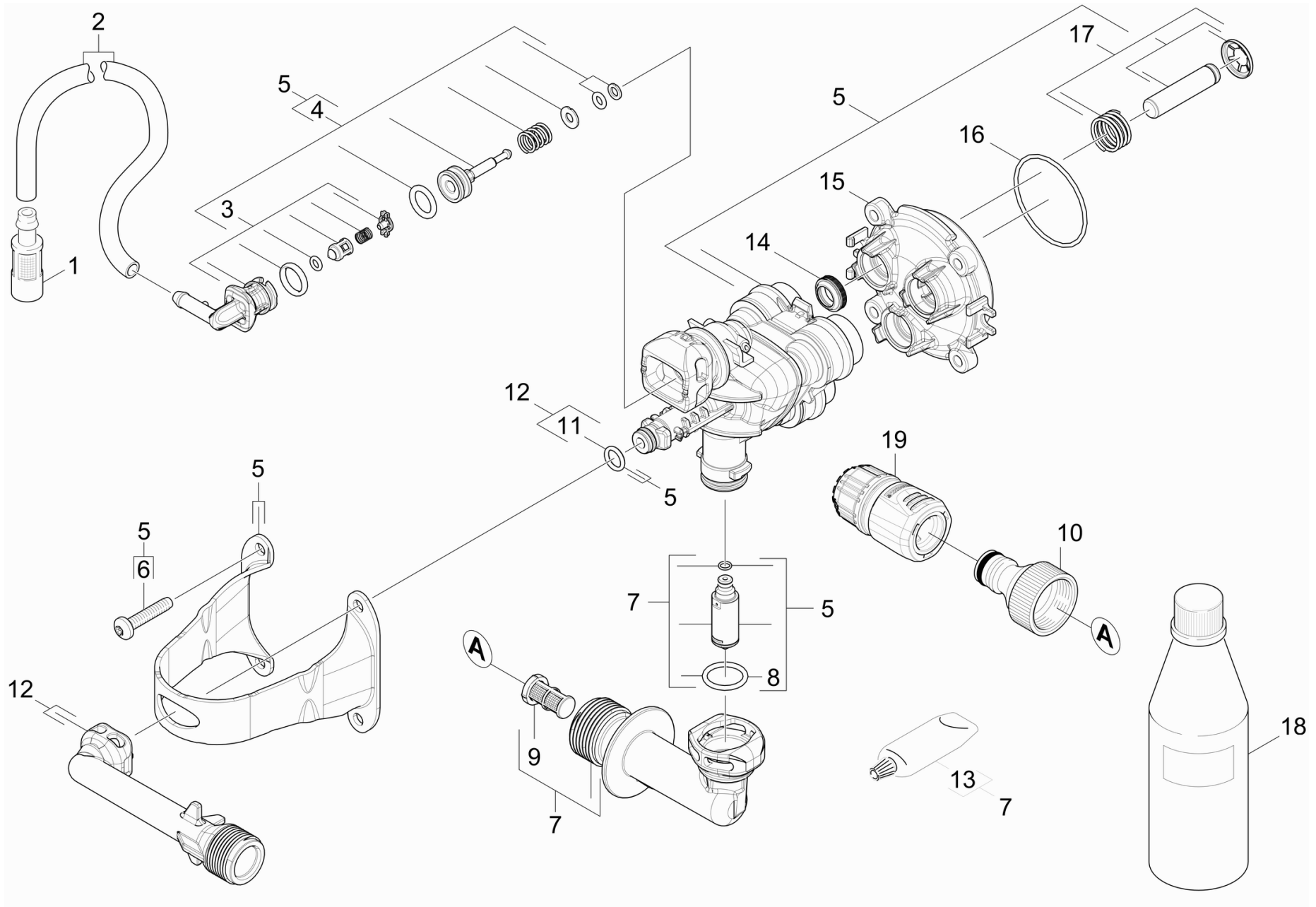


20 Pump set

Home and Garden \ High pressure cleaner cold water \ Electric motor \ K 2 \ K 2 Premium Home & Pipe Cleaning *EU \ Spare parts list K2 Premium Home & Pipe \ Pump set



20 Pump set

Home and Garden \ High pressure cleaner cold water \ Electric motor \ K 2 \ K 2 Premium Home & Pipe Cleaning *EU \ Spare parts list K2 Premium Home & Pipe \ Pump set

KÄRCHER

POS	Article no.	Description	Quantity	Unit	Remark	Foot note text
1	5.731-652.0	Filter with weight	1.000	ST		
2	6.388-216.0	Hose DN 5	1.000	M		TO ORDER AS CUT GOODS
3	2.885-396.0	Spare parts set nipple chemistry RV	1.000	ST		
4	2.885-397.0	Spare parts set control piston with nipp	1.000	ST		
5	4.551-144.0	Cylinder head for replacement (981) RV	1.000	ST		
6	6.303-565.0	Screw M 5x25-10.9-A2E (IN6RD)	4.000	ST	7 +/-1 Nm	
7	4.063-913.0	Suction cover for replacement with SV5 (1.000	ST		
8	6.362-427.0	O-Ring seal 15,0x2,0	1.000	ST		
9	5.731-627.0	Fine filter short	1.000	ST		
10	6.465-031.0	Connection 3/4	1.000	ST		
11	6.362-113.0	O-Ring seal 6,0 x 2,0 NBR 70	1.000	ST		
12	4.063-914.0	High-pressure outlet for replacement wit	1.000	ST		
13	6.288-072.0	Silicon grease	1.000	ST		
14	6.365-581.0	Grooved ring 12x18x4/6 NBR 75 Shore A	3.000	ST		
15	5.062-412.0	Thrust guidance V2 R V	1.000	ST		
16	6.362-826.0	O-Ring seal 61,6x2,62	1.000	ST		
17	2.885-398.0	Spare parts set piston with spring RV	3.000	ST		
18	6.288-112.0	Engine oil 10W-60, 1L	1.000	ST		
19	4.645-332.0	HOSE CONNECTOR 1/2" / 5/8" OPP	1.000	ST		