

Spare parts list

(1.428-620.0) NT 48/1 *EU

Table of contents

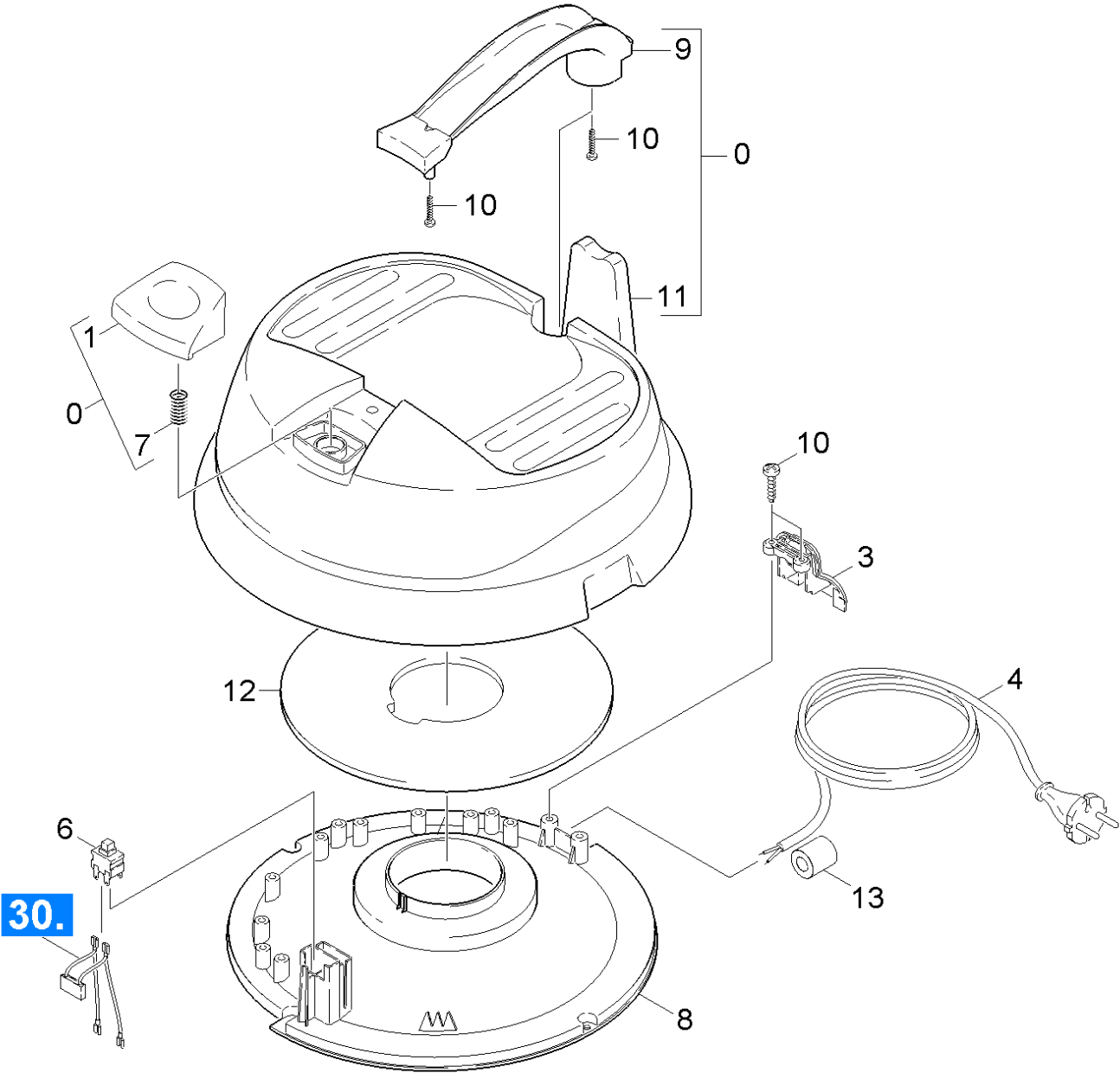
NT 48/1 *EU (1.428-620.0)	3
5 Spare parts list NT 48/1 *EU (5.972-273.0)	4
10 Appliance top part	5
20 Tank	7
21 Tank	8
22 Drain hose	10
30 Vacuum motor	12
31 Vacuum motor	13
32 Vacuum motor	15
40 Accessories	17
4 Suction hose C DN35 (4.440-626.0)	19
10 Repair set (2.639-690.0)	21
3 Spare parts list add-on kit hose couplin (5.958-671.0)	22
10 Add-on kit hose coupling	23
10 Repair set (2.639-690.0)	25
3 Spare parts list add-on kit hose couplin (5.958-671.0)	26
10 Add-on kit hose coupling	27

NT 48/1 *EU (1.428-620.0)

POS	Article no.	Description	Quantity	Unit
5	5.972-273.0	Spare parts list NT 48/1 *EU	1.000	ST

5 Spare parts list NT 48/1 *EU (5.972-273.0)

POS	Description	Quantity	Unit
40	Accessories	1.000	ST
10	Appliance top part	1.000	ST
20	Tank	1.000	ST
30	Vacuum motor	1.000	ST

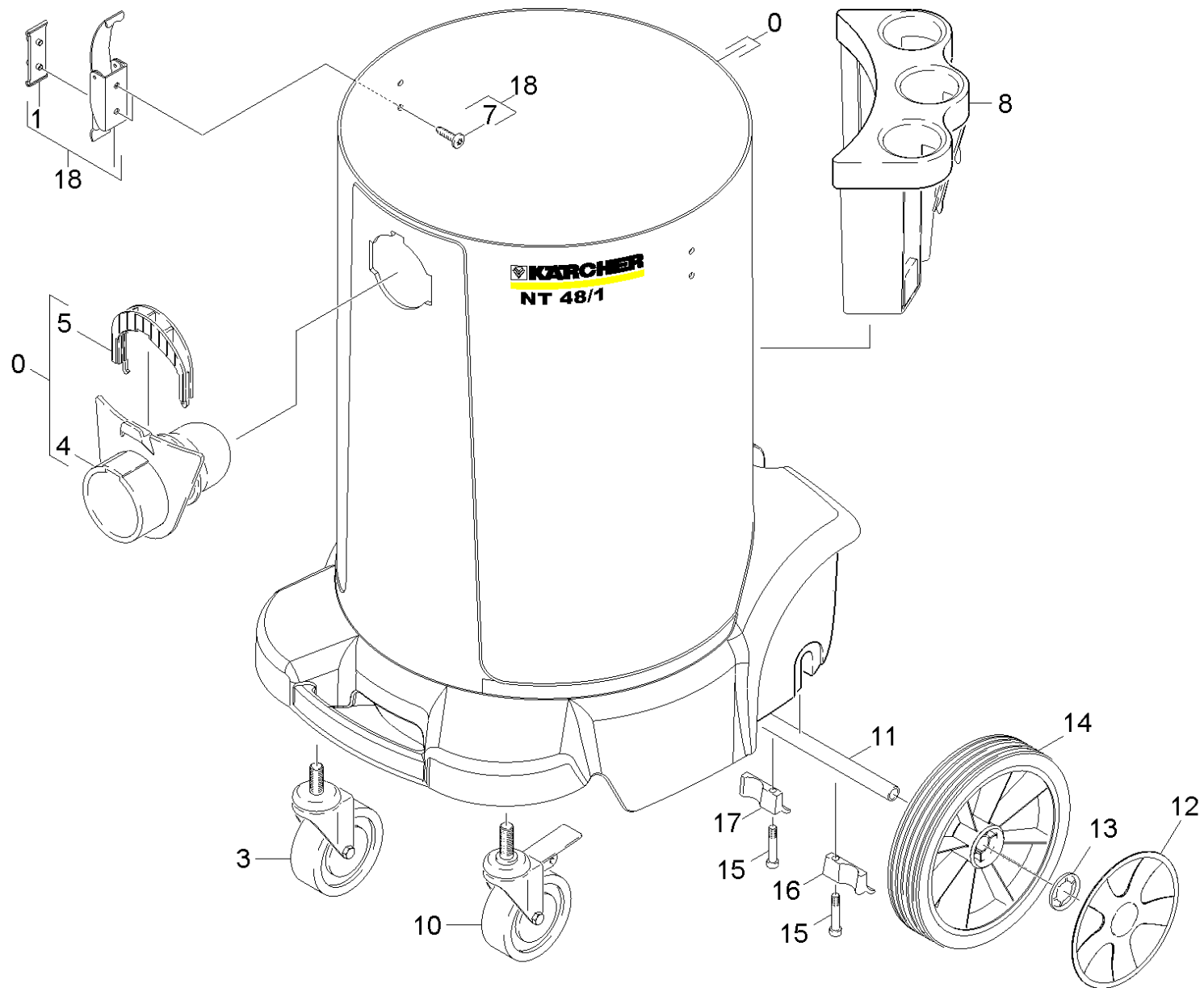


10 Appliance top part

POS	Article no.	Description	Quantity	Unit
11	5.069-006.0	Cover	1.000	ST
0	4.066-391.0	Cover complete only for replacement	1.000	ST
13	6.614-005.0	Ferrite ring	1.000	ST
9	5.321-711.0	Handhold	1.000	ST
8	5.032-433.0	Moulded part	1.000	ST
4	6.647-263.0	Power cable 7,5m PVC *EU	1.000	ST
1	5.324-140.0	Pushbutton yellow	1.000	ST
10	7.303-084.0	Screw 4x25 -10.9-R2R (K-In6Rd)	4.000	ST
12	6.286-433.0	Sound insulation set	1.000	ST
7	5.332-457.0	Spring switch	1.000	ST
3	5.032-478.0	Strain relief	1.000	ST
6	6.630-437.0	Switch on/off	1.000	ST

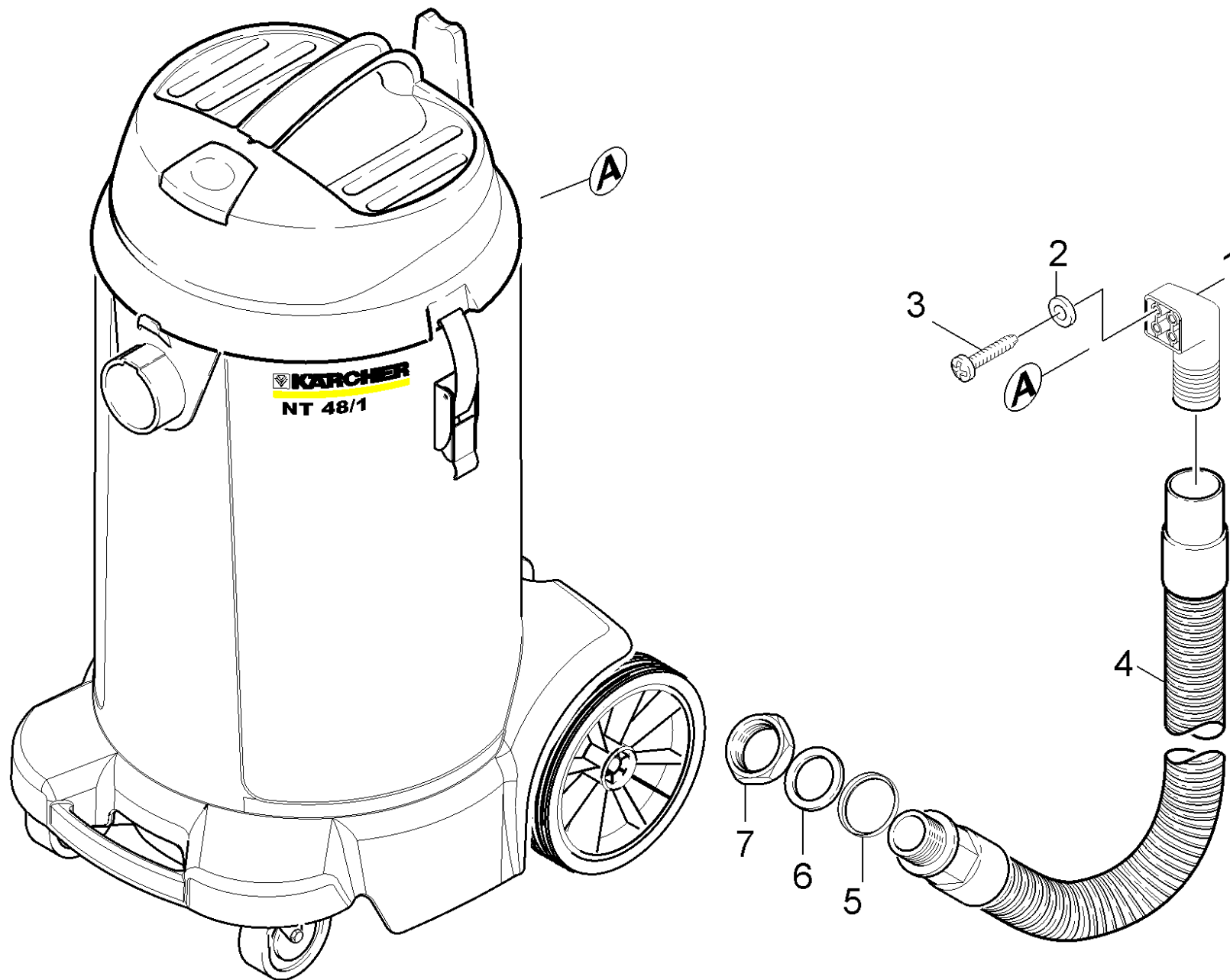
20 Tank

POS	Description	Quantity	Unit
22	Drain hose	1.000	ST
21	Tank	1.000	ST



21 Tank

POS	Article no.	Description	Quantity	Unit
11	5.105-367.0	Axle	1.000	ST
3	6.435-369.0	Castor 75	1.000	ST
10	6.435-370.0	Castor stop 75	1.000	ST
8	5.033-941.0	Holder accessories NT 27/1, pictogramm	1.000	ST
1	9.412-173.0	Holder closure	2.000	ST
16	5.044-368.0	Holder left	1.000	ST
17	5.044-369.0	Holder right	1.000	ST
5	5.044-636.0	Holder suction connection	1.000	ST
18	4.075-015.0	Locking clip completely	2.000	ST
13	6.343-168.0	Lock washer	2.000	ST
7	7.303-116.0	Screw 4x12-A2-70 (IN6RD)	4.000	ST
15	7.303-086.0	Screw 5x30 -10.9-R2R (K-In6Rd)	2.000	ST
12	4.515-323.0	Spare parts set wheel cap basalt grey RA	1.000	ST
4	5.032-362.0	Suction connection	1.000	ST
0	4.070-807.0	Tank grey complete NT 48/1	1.000	ST
14	9.481-704.0	Wheel D200	2.000	ST

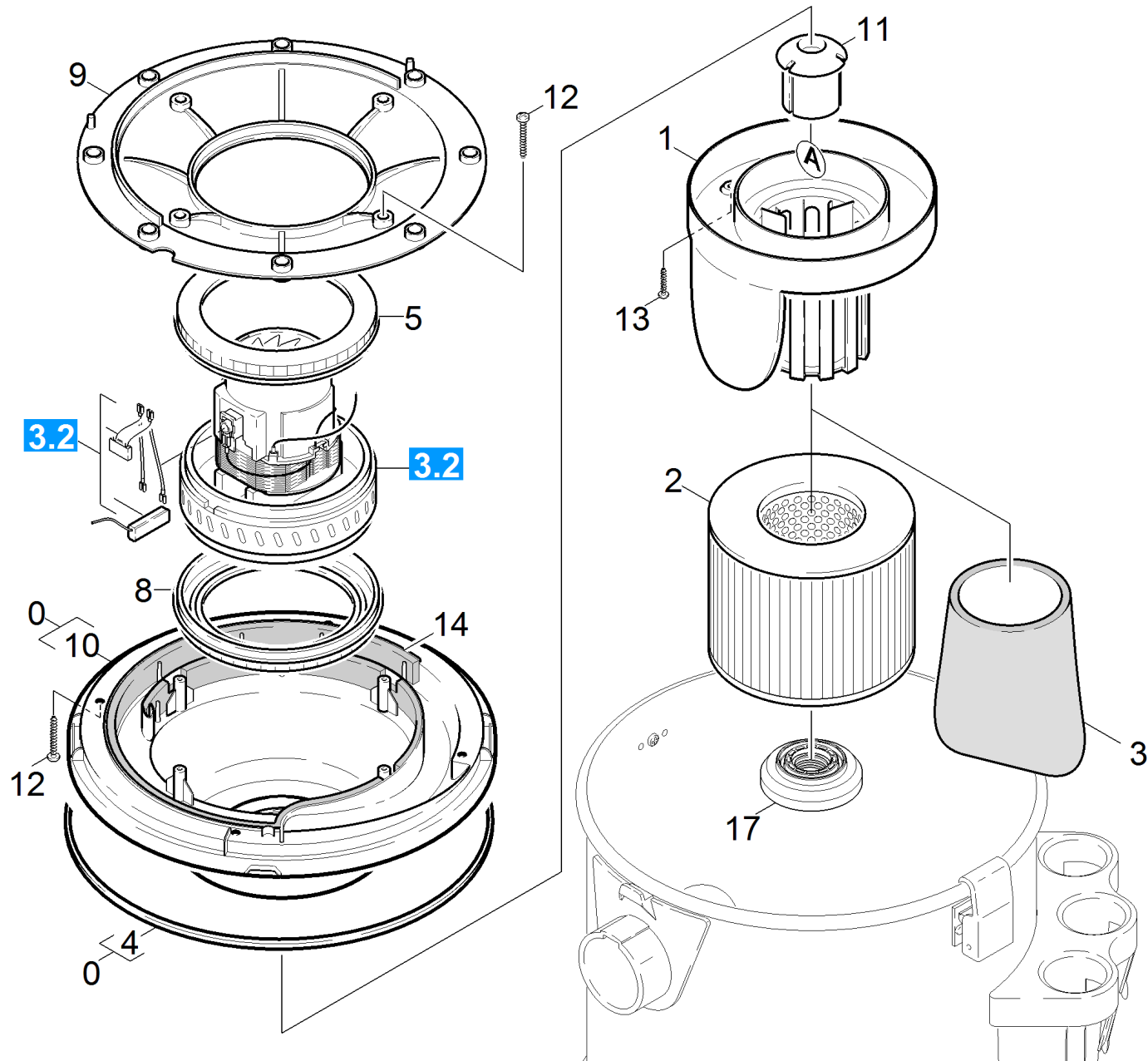


22 Drain hose

POS	Article no.	Description	Quantity	Unit
4	6.394-832.0	Drain hose DN32 NT 48/1	1.000	ST
7	5.031-940.0	Hexagon nut	1.000	ST
6	6.363-250.0	Joint ring 32x44	1.000	ST
1	9.412-338.0	Moulded part	1.000	ST
5	9.411-023.0	Ring	1.000	ST
3	7.777-999.0	Stockpiling discontinued	2.000	ST
2	7.312-282.0	Washer 5 -A2 ISO 7093-1	2.000	ST

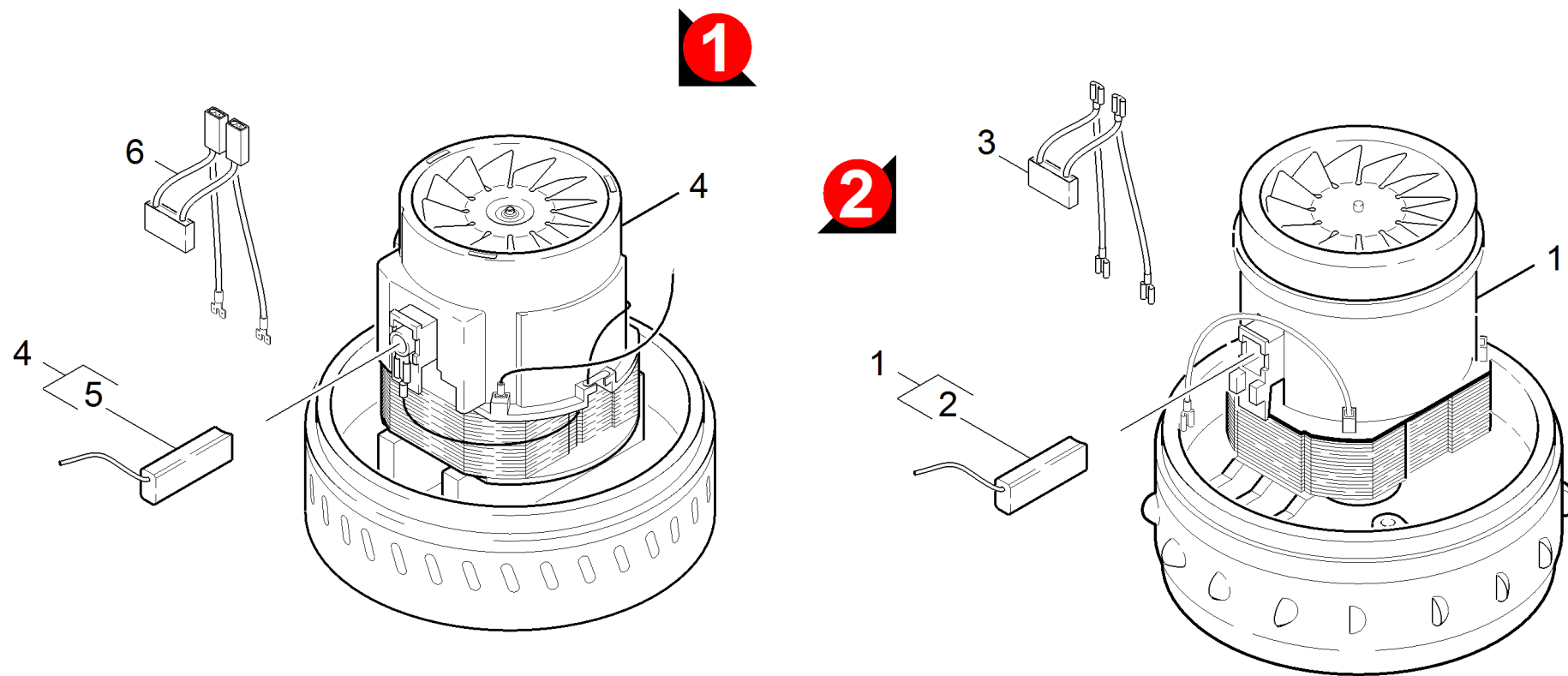
30 Vacuum motor

POS	Description	Quantity	Unit
32	Vacuum motor	1.000	ST
31	Vacuum motor	1.000	ST



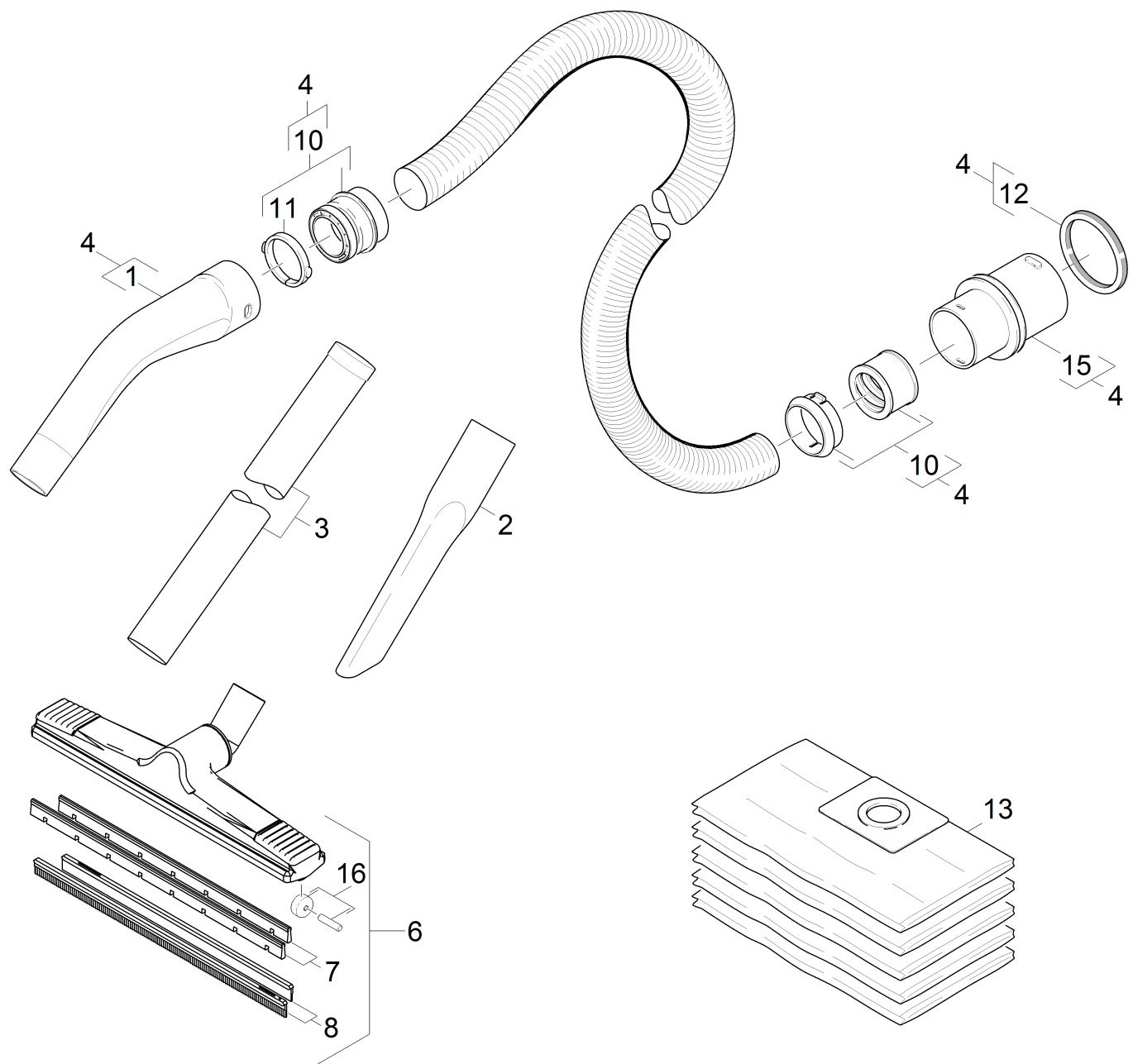
31 Vacuum motor

POS	Article no.	Description	Quantity	Unit
2	6.414-789.0	Cartridge filter	1.000	ST
3	5.731-595.0	Filter	1.000	ST
1	9.411-631.0	Filtering basket	1.000	ST
10	5.122-415.0	Flange motor	1.000	ST
9	5.122-425.0	Flange water	1.000	ST
11	5.585-038.0	Float	1.000	ST
17	9.411-954.0	Holder filtering basket	1.000	ST
0	4.122-122.0	Motor flange complete	1.000	ST
13	7.303-205.0	Screw 4x16-St-10.9-R2R (In6Rd)	2.000	ST
12	7.303-085.0	Screw 4x 35 -10.9-R2R (K-In6Rd)	8.000	ST
4	5.363-586.0	Seal flange motor	1.000	ST
8	6.903-246.0	Seal motor	1.000	ST
5	6.903-300.0	Seal motor	1.000	ST
14	6.286-433.0	Sound insulation set	1.000	ST



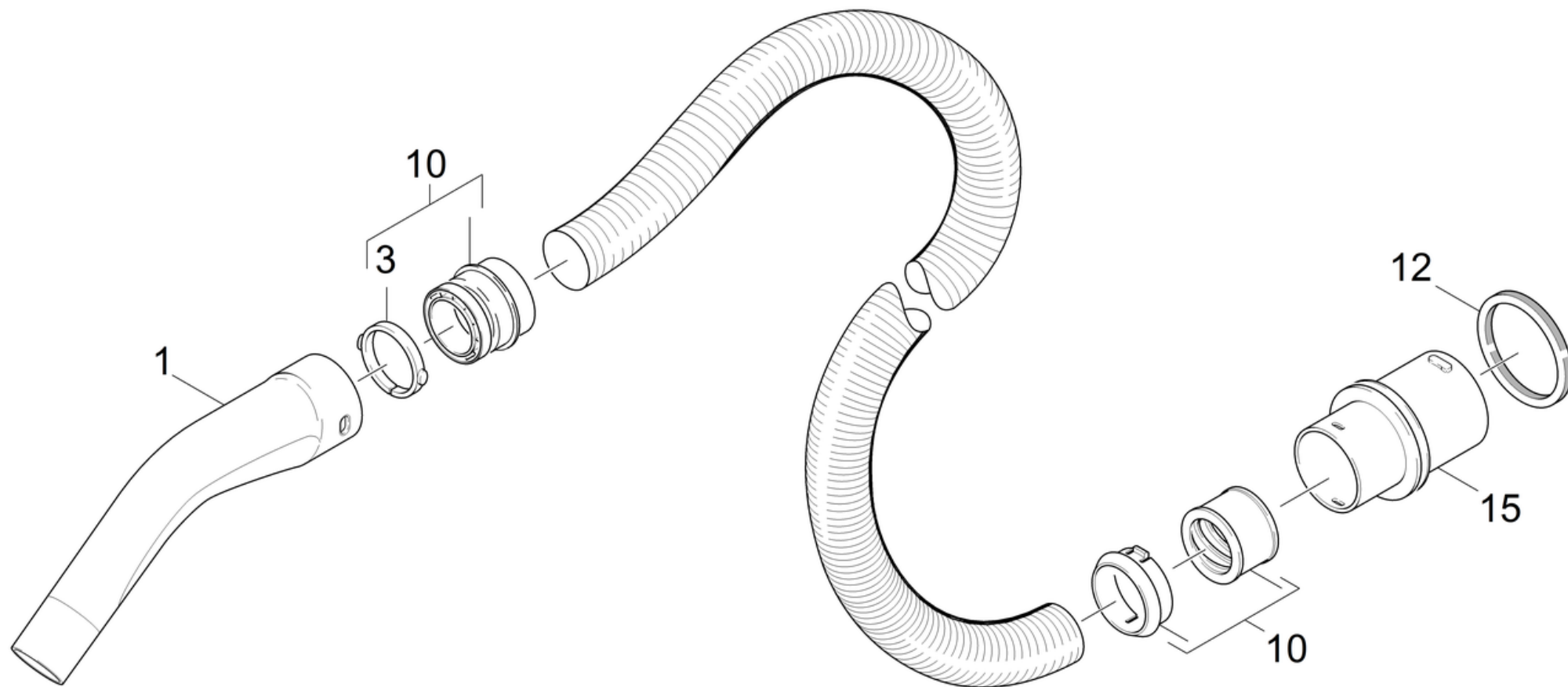
32 Vacuum motor

POS	Article no.	Description	Quantity	Unit	Remark
5	6.610-247.0	Carbon brush only for replacement	2.000	ST	VERSION 1
		Item text1: 1.428-103.0 / -114.0 / -506.0 / -520.0 /			
		Item text2: -620.0 / - 621.0 / -622.0			
2	6.610-268.0	Carbon brush set only for replacement	2.000	ST	VERSION 2
		Item text1: 1.428-103.0 / -114.0 / -506.0 / -520.0 /			
		Item text2: -620.0 / - 621.0 / -622.0			
3	4.839-355.0	Electrical small parts BV 5/1	1.000	ST	VERSION 2
		Item text1: 1.428-103.0 / -114.0 / -506.0 / -520.0 /			
		Item text2: -620.0 / - 621.0 / -622.0			
6	4.839-316.0	Electrical small parts NT 27/1	1.000	ST	VERSION !
		Item text1: 1.428-103.0 / -114.0 / -506.0 / -520.0 /			
		Item text2: -620.0 / - 621.0 / -622.0			
4	6.490-171.0	Vacuum motor 220-240V	1.000	ST	VERSION 1
		Item text1: 1.428-103.0 / -114.0 / -506.0 / -520.0 /			
		Item text2: -620.0 / - 621.0 / -622.0			
1	6.490-148.0	Vacuum motor 230V	1.000	ST	VERSION 2
		Item text1: 1.428-103.0 / -114.0 / -506.0 / -520.0 /			
		Item text2: -620.0 / - 621.0 / -622.0			



40 Accessories

POS	Article no.	Description	Quantity	Unit
7	6.907-514.0	Brush strip set NW35	1.000	ST
2	6.906-240.0	Crevice nozzle DN35	1.000	ST
1	5.031-718.0	Elbow	1.000	ST
13	6.904-290.0	Filter bags 5St.	1.000	ST
	Item text1: NT 27/1 *JP			
13	6.904-285.0	Filter bags 5St. -NT 65/2 ECO	1.000	ST
6	2.889-118.0	Floor tool replacement DN35 L400	1.000	ST
15	5.443-464.0	Hosebarb	1.000	ST
12	6.273-009.0	Joint ring EPDM	1.000	ST
10	2.639-690.0	Repair set	1.000	ST
8	6.907-513.0	Rubber strip set NW35+NW40	1.000	ST
16	6.407-000.0	Set floor nozzle DN 40 + DN 35	1.000	ST
4	4.440-626.0	Suction hose C DN35	1.000	ST
3	6.902-154.0	Suction tube stainless steel NW35 - 505m	2.000	ST
11	5.031-703.0	Tension ring C35	1.000	ST



4 Suction hose C DN35 (4.440-626.0)

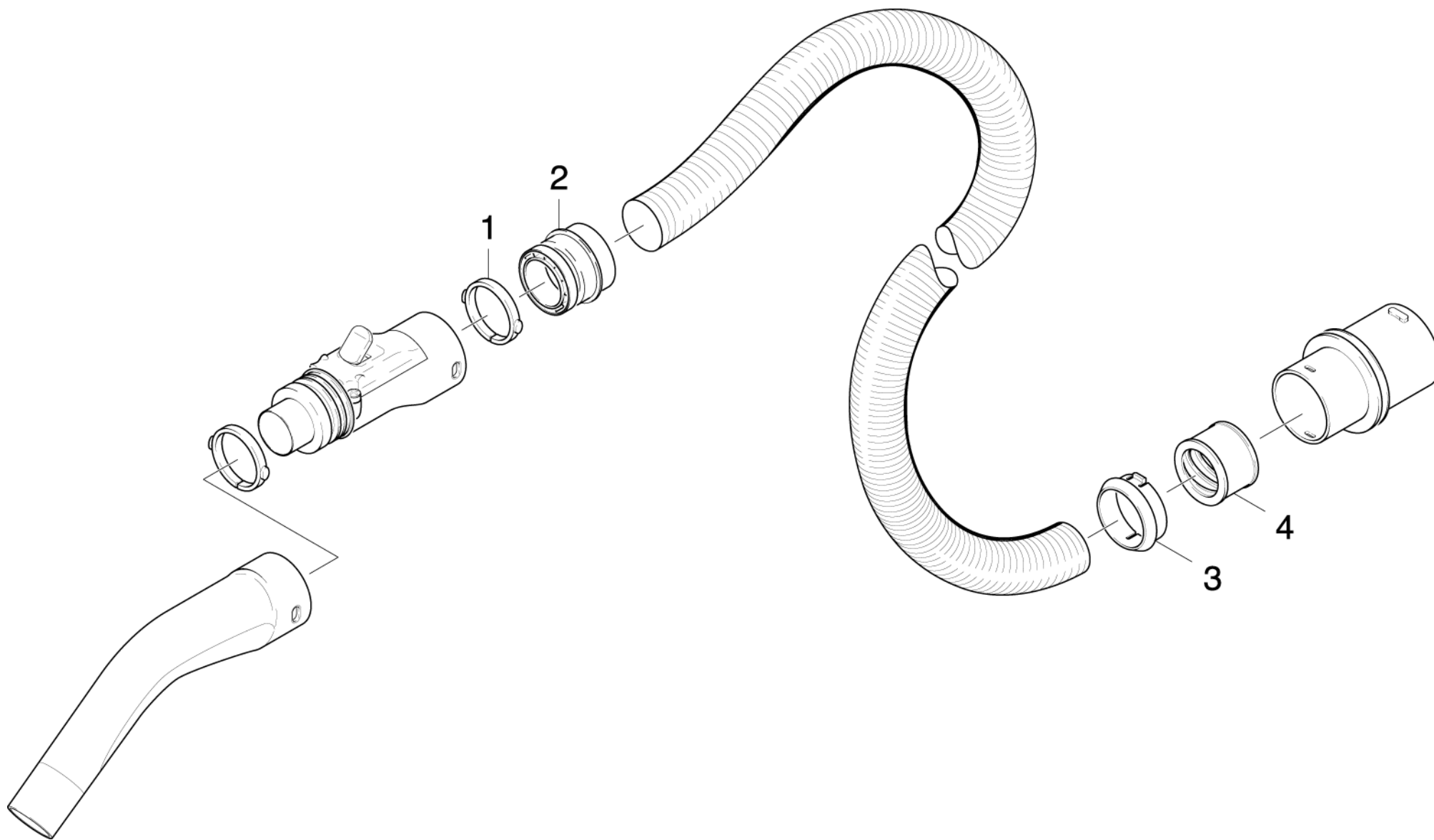
POS	Article no.	Description	Quantity	Unit
1	5.031-718.0	Elbow	1.000	ST
15	5.443-464.0	Hosebarb	1.000	ST
12	6.273-009.0	Joint ring EPDM	1.000	ST
10	2.639-690.0	Repair set	1.000	ST
3	5.031-703.0	Tension ring C35	1.000	ST

10 Repair set (2.639-690.0)

POS	Article no.	Description	Quantity	Unit
3	5.958-671.0	Spare parts list add-on kit hose couplin	1.000	ST
Item text2: 26396900				

3 Spare parts list add-on kit hose couplin (5.958-671.0)

POS	Description	Quantity	Unit
10	Add-on kit hose coupling	1.000	ST



10 Add-on kit hose coupling

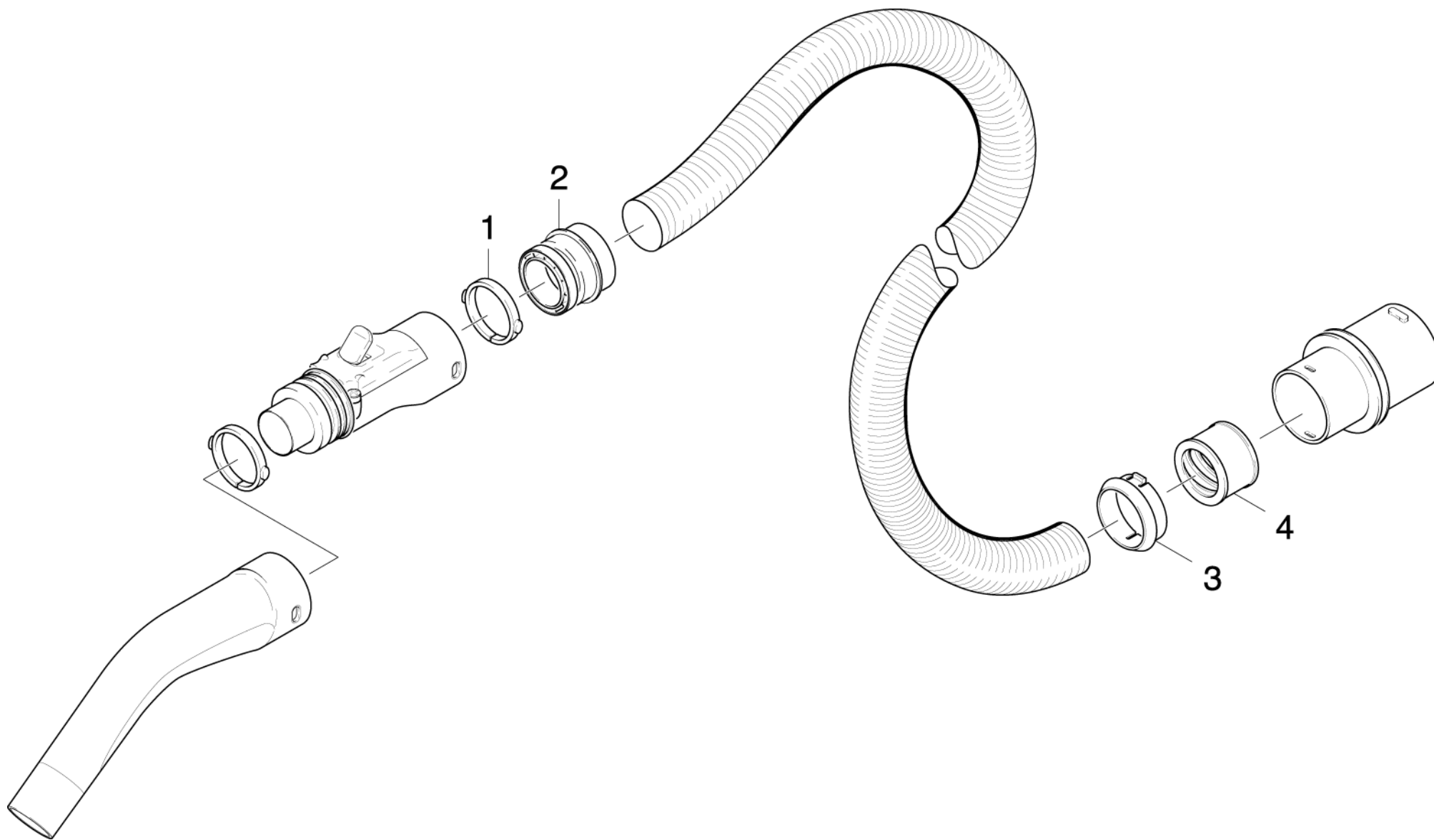
POS	Article no.	Description	Quantity	Unit
3	6.902-065.0	Clamp sleeve	1.000	ST
1	5.031-703.0	Tension ring C35	1.000	ST
4	6.902-112.0	Threaded ring	1.000	ST
2	5.406-019.0	Threaded ring C35EL	1.000	ST

10 Repair set (2.639-690.0)

POS	Article no.	Description	Quantity	Unit
3	5.958-671.0	Spare parts list add-on kit hose couplin	1.000	ST
Item text2: 26396900				

3 Spare parts list add-on kit hose couplin (5.958-671.0)

POS	Description	Quantity	Unit
10	Add-on kit hose coupling	1.000	ST



10 Add-on kit hose coupling

POS	Article no.	Description	Quantity	Unit
3	6.902-065.0	Clamp sleeve	1.000	ST
1	5.031-703.0	Tension ring C35	1.000	ST
4	6.902-112.0	Threaded ring	1.000	ST
2	5.406-019.0	Threaded ring C35EL	1.000	ST