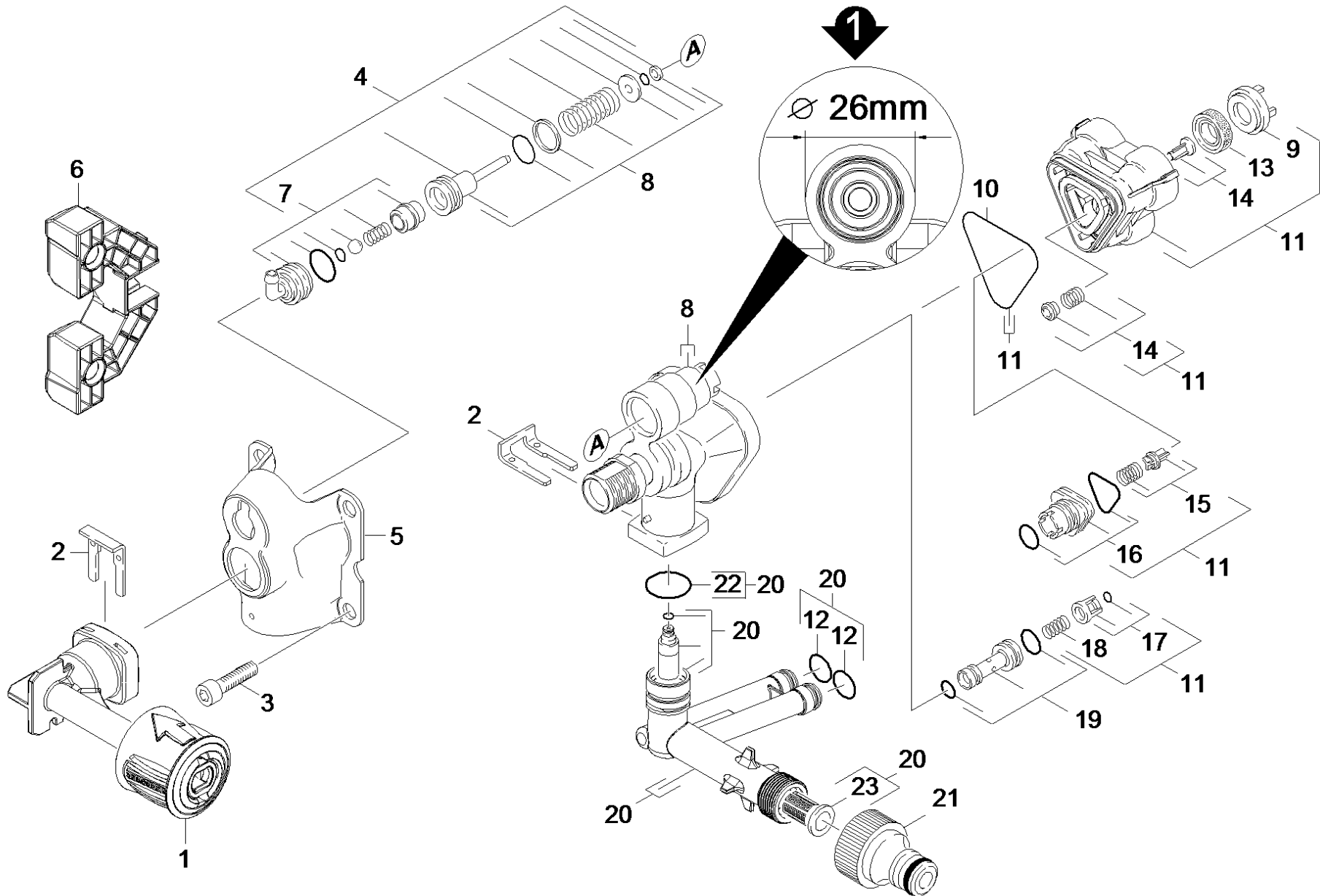


21 Housing

Home and Garden \ High pressure cleaner cold water \ Electric motor \ K 4 \ K 4.500 *EU \ Spare parts list K4.500 Modul Range \ Pump set \ Housing



21 Housing

Home and Garden \ High pressure cleaner cold water \ Electric motor \ K 4 \ K 4.500 *EU \ Spare parts list K4.500 Modul Range \ Pump set \ Housing

KÄRCHER

POS	Article no.	Description	Quantity	Unit	Foot note text
1	9.001-749.0	High-pressure outlet complete	1.000	ST	
2	9.039-148.0	Metal fork	2.000	ST	
3	9.086-200.0	Screw M 8x55 Class 8.8	4.000	ST	
4	9.001-981.0	Piston and water intake wcm	1.000	ST	
5	9.039-308.0	Cover K130	1.000	ST	
6	9.037-673.0	Bracket pump (bridge)	1.000	ST	
7	9.001-741.0	Aspiration cleaning agents for replaceme	1.000	ST	
8	9.002-011.0	Conversion kit housing new D=22mm	1.000	ST	
9	9.038-428.0	Supportring 6,7 mm	3.000	ST	
10	9.081-422.0	Form seal	1.000	ST	
11	9.001-693.0	Spare parts set cylinder head WCP	1.000	ST	
12	9.080-455.0	Seal 10x2,8	2.000	ST	
13	6.362-875.0	Grooved ring	3.000	ST	
14	9.001-110.0	Moulded part complete	1.000	ST	SET CONSISTS OF 3X MACHINED PART COMPL.
15	9.001-149.0	Spare parts set valve	1.000	ST	SET CONSITSTS OF 3X VALVE
16	9.001-106.0	Joining piece	1.000	ST	
17	9.001-107.0	Cage complete	1.000	ST	
18	9.047-026.0	Spring	1.000	ST	
19	9.002-017.0	Venturi nozzle D.1,45	1.000	ST	
20	9.001-748.0	Spare parts set suction side	1.000	ST	
21	6.465-031.0	Connection 3/4	1.000	ST	
22	9.080-001.0	O-Ring 16x2,7 EPDM 50 Shore	1.000	ST	
23	5.731-598.0	Fine filter long	1.000	ST	