

## **Spare parts list**

(1.514-125.0) HD 5/15 CX Plus \*EU

## Table of contents

---

HD 5/15 CX Plus *EU (1.514-125.0)	4
Spare parts list HD 5/12CX HD 6/13CX (5.970-244.0)	5
10 Housing	6
11 Housing	7
12 Hose reel	9
2 Set (4.515-104.0)	11
14 Set (4.515-105.0)	13
20 Pump set	15
21 Cylinder head	16
4 Valve (3 Stück) (2.884-916.0)	19
11 Drain plug only for replacement (4.132-007.0)	21
20 Valve pin complete (4.584-022.0)	23
21 Nozzle insert only for replacement (4.769-034.0)	25
21 Nozzle insert (4.769-035.0)	27
24 Overflow valve (4.591-038.0)	29
31 Spindle complete (4.291-014.0)	30
100 PUMP SET HD 5/12 C (2.883-997.0)	32
10 Drain plug only for replacement (4.132-007.0)	34
20 Valve (3 Stück) (2.884-916.0)	36
22 Thrust guidance	38
30 Motor	40
Motor complete only for replacement (4.624-095.0)	43
12 Motor complete	45
40 Accessories	47
41 Hand trigger gun	48
1 HAND TRIGGER GUN EASY PRESS (4.775-463.0)	50
9002 Lever complete (4.481-209.0)	52
4 Lever complete (4.481-209.0)	54
42 Hand trigger gun	56
Hand trigger gun (4.775-492.0)	58
5 Lever complete (4.481-209.0)	60
43 Hand trigger gun	62
5 Lever complete (4.481-209.0)	64
44 Jet pipe	66
45 Jet pipe	68
1 Jet pipe packaged only for replacement (4.760-663.0)	70
46 Nozzle	72
47 Nozzle	74

## Table of contents

---

Triple jet nozzle replacement 033 (4.767-146.0)	76
2 Spare parts list triple jet nozzle (5.970-837.0)	77
10 Triple jet nozzle plastics	78
20 Triple jet nozzle brass	80
Triple jet nozzle replacement 034 (4.767-147.0)	82
2 Spare parts list triple jet nozzle (5.970-837.0)	83
10 Triple jet nozzle plastics	84
20 Triple jet nozzle brass	86
Triple jet nozzle replacement 036 (4.767-148.0)	88
2 Spare parts list triple jet nozzle (5.970-837.0)	89
10 Triple jet nozzle plastics	90
20 Triple jet nozzle brass	92
Triple jet nozzle replacement 038 (4.767-149.0)	94
2 Spare parts list triple jet nozzle (5.970-837.0)	95
10 Triple jet nozzle plastics	96
20 Triple jet nozzle brass	98
Triple jet nozzle only for replacement 0 (4.767-195.0)	100
2 Spare parts list triple jet nozzle (5.970-837.0)	101
10 Triple jet nozzle plastics	102
20 Triple jet nozzle brass	104
48 Surface cleaner	106
13 Spare part set Rotor FR Classic (2.885-297.0)	108
10 Rotor complete T 400	110
14 Spare part set nozzles 020 (2.885-312.0)	112
1 Nozzle complete 15020	114
14 Spare parts set power nozzle 15017 (2.885-313.0)	116
1 Power nozzle kpl 15017	118
21 Spare part set Lagerzapfen (2.885-298.0)	120
24 Screw union (4.402-022.0)	122
50 Electric box	123

HD 5/15 CX Plus \*EU (1.514-125.0)

---

POS	Article no.	Description	Quantity	Unit
0	5.970-244.0	Spare parts list HD 5/12CX HD 6/13CX	1.000	ST
<b>Item text2:</b> 3F5EC49208DA0066E1000000C34F56CF15145010				

---

Spare parts list HD 5/12CX HD 6/13CX (5.970-244.0)

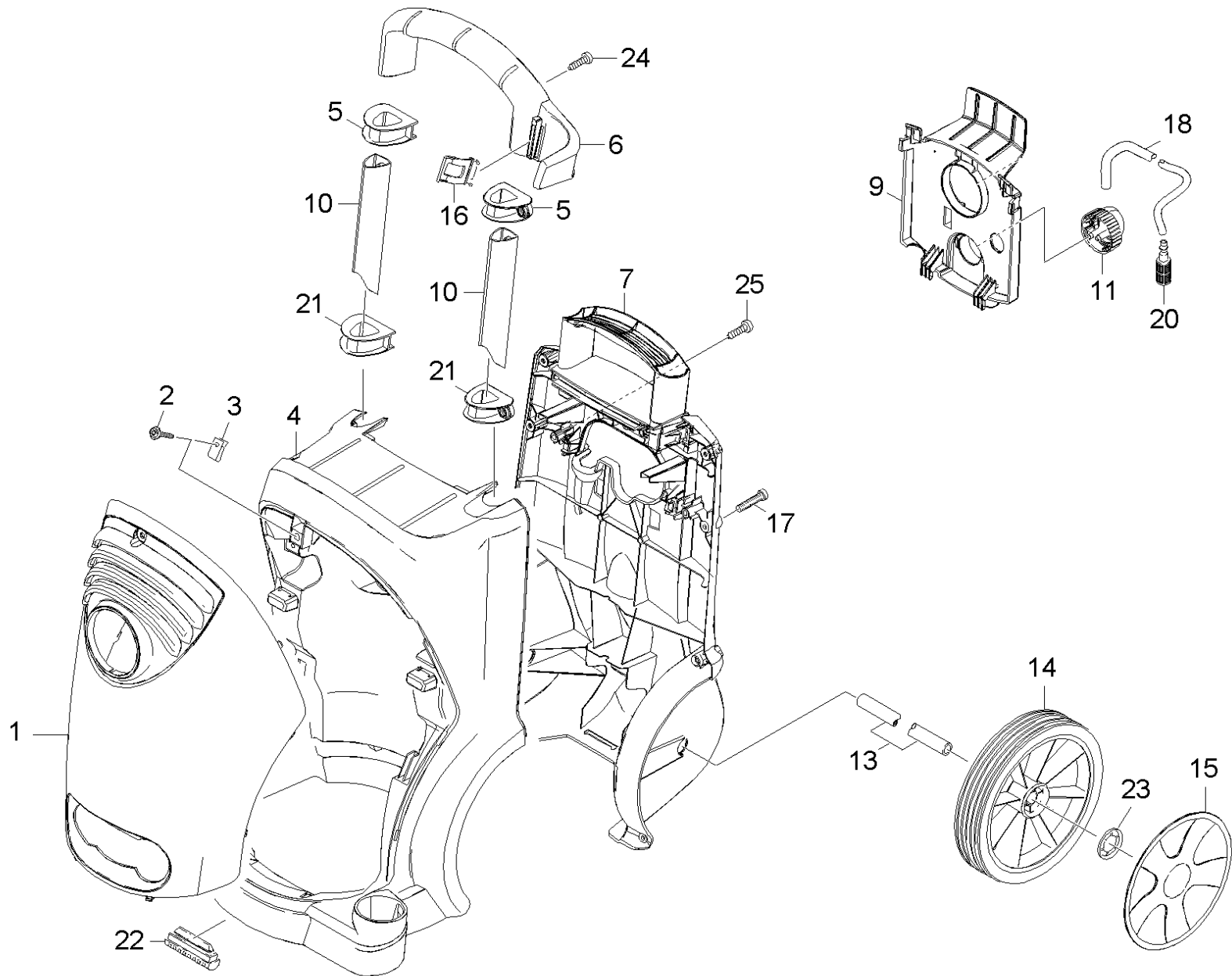
---

<b>POS</b>	<b>Description</b>	<b>Quantity</b>	<b>Unit</b>
40	Accessories	1.000	ST
50	Electric box	1.000	ST
10	Housing	1.000	ST
30	Motor	1.000	ST
20	Pump set	1.000	ST

## 10 Housing

---

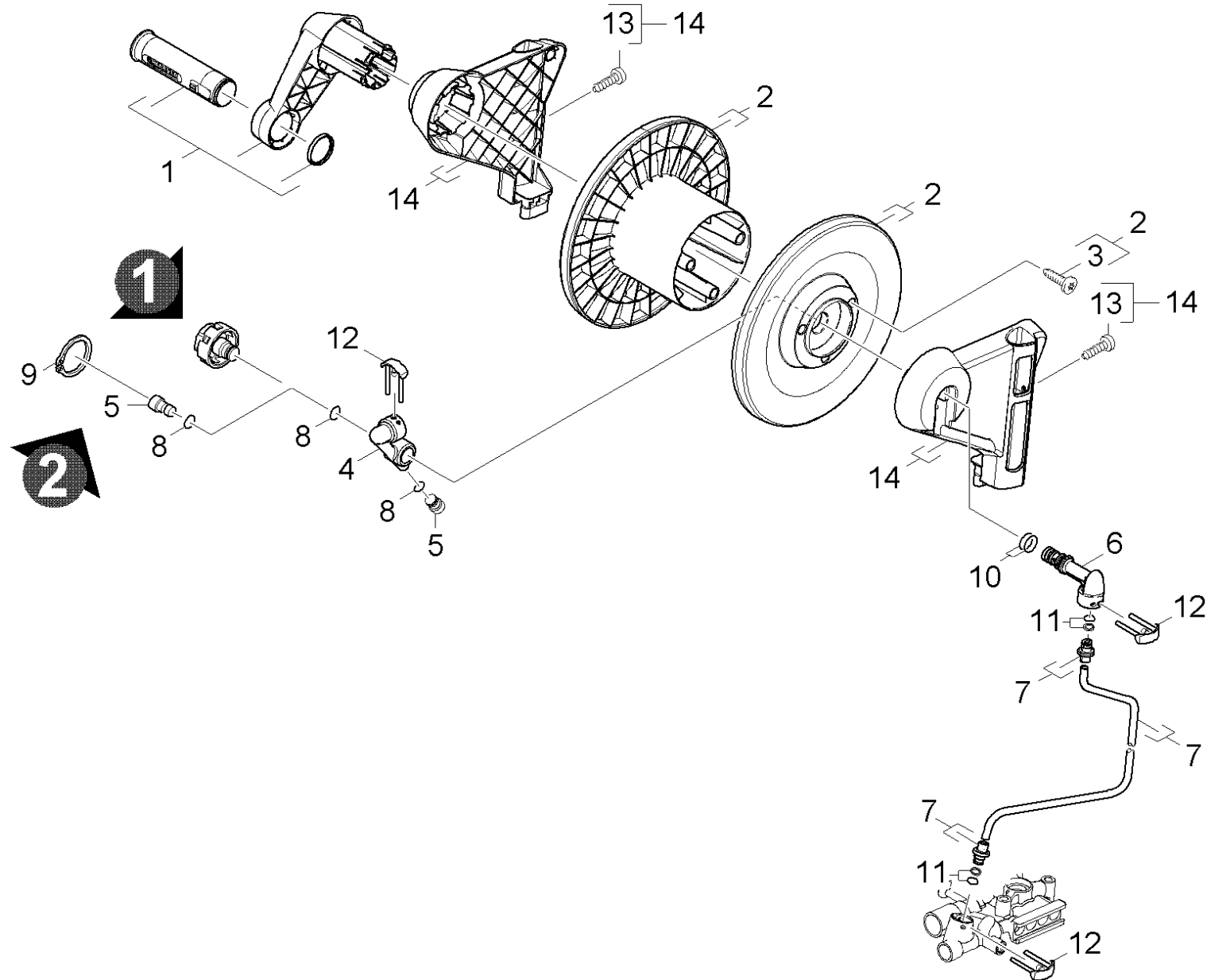
<b>POS</b>	<b>Description</b>	<b>Quantity</b>	<b>Unit</b>
12	Hose reel	1.000	ST
11	Housing	1.000	ST



## 11 Housing

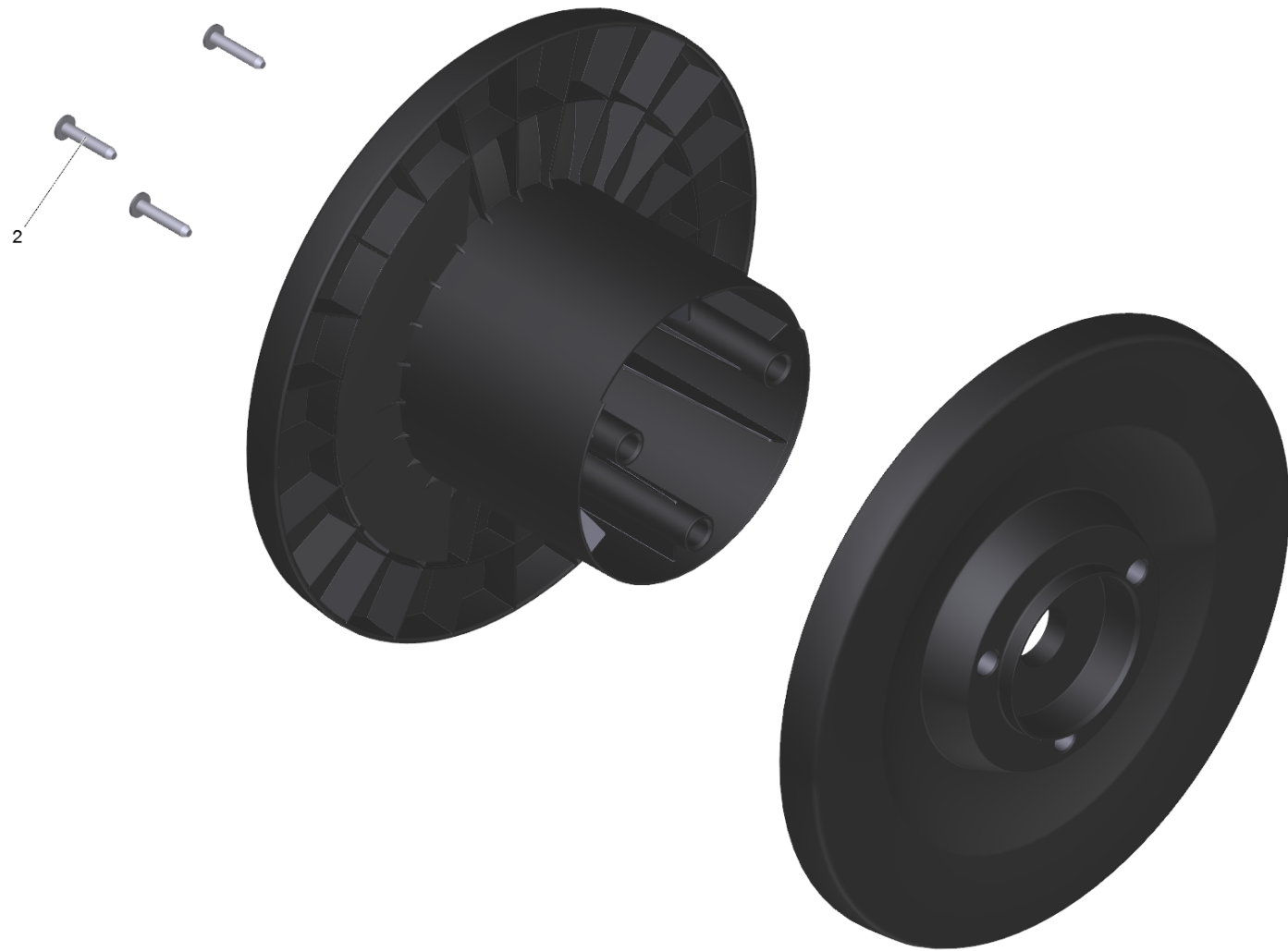
POS	Article no.	Description	Quantity	Unit	Foot note text
13	5.105-399.0	Axle	1.000	ST	
10	5.107-248.0	Bar shearing shackle	2.000	ST	
9	5.032-648.0	Covering cap	1.000	ST	
1	5.069-089.0	Device cover	1.000	ST	
20	5.731-652.0	Filter with weight	1.000	ST	
4	5.050-206.3	Frame front part	1.000	ST	
7	5.050-207.0	Frame rear panel	1.000	ST	
5	5.032-554.0	Guide	2.000	ST	
21	5.032-555.0	Guide	2.000	ST	
6	5.321-721.0	Hand grip	1.000	ST	
16	5.044-216.0	Holder	1.000	ST	
18	6.388-216.0	Hose DN 5	1.000	M	TO ORDER AS CUT GOODS
23	6.343-168.0	Lock washer	2.000	ST	
11	4.063-778.0	Proportioning valve chemistry	1.000	ST	
3	6.310-053.0	Putting nut	1.000	ST	
2	6.304-099.0	Saucer-head screw M 6x 18-4.8-R2R	1.000	ST	
17	7.303-108.0	Screw 5x20 -10.9-R2R (In6Rd)	10.000	ST	
24	7.303-046.0	Screw M6x12 -St-R3R (In6Rd)	2.000	ST	
25	7.303-156.0	Screw M6x40 -St-P3R (In6Rd)	2.000	ST	
15	4.515-103.0	Spare parts set wheel cap	1.000	ST	SET OF 2 PIECES
22	5.057-062.0	Support	2.000	ST	
14	6.435-662.0	Wheel D200	2.000	ST	





## 12 Hose reel

POS	Article no.	Description	Quantity	Unit
5	5.411-161.0	CLOSING SCREW M10X1	2.000	ST
1	4.481-213.0	Crank complete	1.000	ST
12	4.037-013.0	Hook	3.000	ST
9	7.343-018.0	Locking ring 18x1,2-Rf-St DIN 471	1.000	ST
6	5.427-328.0	Manifold	1.000	ST
4	5.427-326.0	Manifold	1.000	ST
8	6.362-703.0	O-Ring seal 6,0x1,5-NBR 70	2.000	ST
10	4.363-693.0	O-Ring seal kpl. -nur fuer Ersatz-	2.000	ST
11	4.363-691.0	O-Ring seal kpl. -nur fuer Ersatz-	2.000	ST
7	4.421-838.0	Pipelines complete	1.000	ST
3	6.303-200.0	Screw 5x25-IN6RD	3.000	ST
13	7.303-046.0	Screw M6x12 -St-R3R (In6Rd)	2.000	ST
14	4.515-105.0	Set	1.000	ST
2	4.515-104.0	Set	1.000	ST



2 Set (4.515-104.0)

---

POS	Article no.	Description	Quantity	Unit
2	6.303-200.0	Screw 5x25-IN6RD	3.000	ST



14 Set (4.515-105.0)

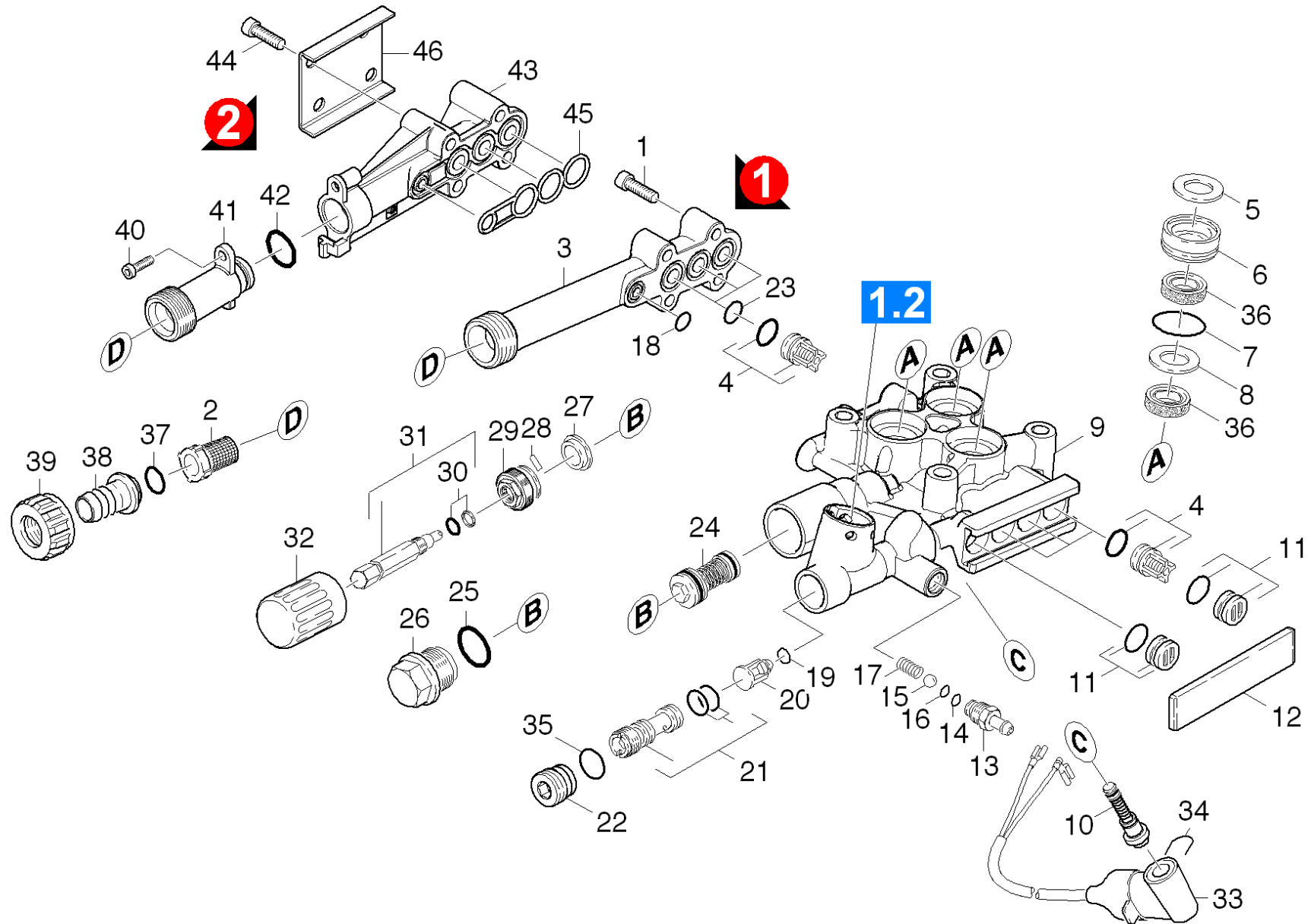
---

POS	Article no.	Description	Quantity	Unit
4	7.303-046.0	Screw M6x12 -St-R3R (In6Rd)	3.000	ST

20 Pump set

---

<b>POS</b>	<b>Description</b>	<b>Quantity</b>	<b>Unit</b>
21	Cylinder head	1.000	ST
22	Thrust guidance	1.000	ST



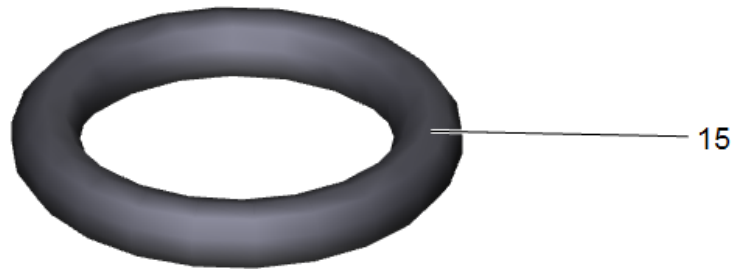
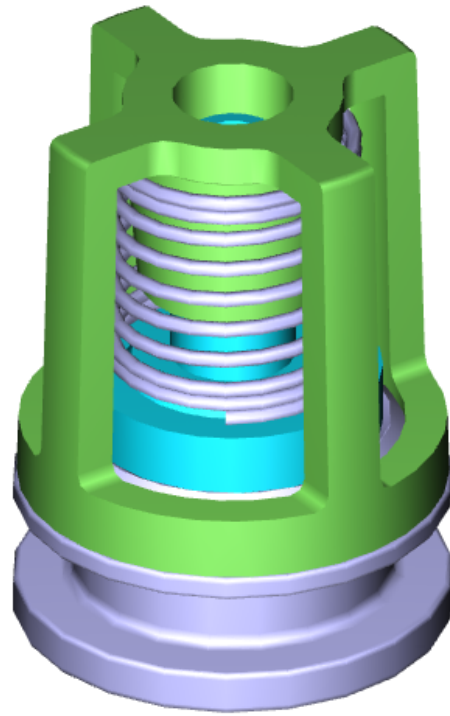


## 21 Cylinder head

POS	Article no.	Description	Quantity	Unit	Remark	Foot note text
6	5.112-726.0	Bush	3.000	ST		
9	5.550-306.3	Cylinder head	1.000	ST		
11	4.132-007.0	Drain plug only for replacement	4.000	ST		
28	7.314-629.0	Grooved pin 2x10 -A1 ISO 8742	1.000	ST	HD 5/14 CX ;HD 5/15 CX ;HD 6/13 CX	
36	6.365-477.0	Grooved ring 12x20x5,3/2,8	6.000	ST		
32	5.321-307.0	Handhold	1.000	ST	HD 5/14 CX ;HD 5/15 CX ;HD 6/13 CX	
17	5.332-258.0	Helical spring	1.000	ST		
38	5.443-229.0	Hose stem	1.000	ST		
13	5.443-624.0	Nipple	1.000	ST		
21	4.769-035.0	Nozzle insert	1.000	ST		
	<b>Item text1:</b> 1.514-114.0 /-502.0 /-601.0 /-651.0					
	<b>Item text2:</b> / -652.0					
21	4.769-034.0	Nozzle insert only for replacement	1.000	ST		
	<b>Item text1:</b> 1.514-125.0 /-128.0 /-501.0 /-551.0 /-552.0 /-553.0 /-554.0 /					
39	5.310-065.0	Nut	1.000	ST		
19	6.363-613.0	O-Ring seal 4 x 2 -NBR90	1.000	ST		
16	6.363-597.0	O-Ring seal 5,28 x 1,78	1.000	ST		
14	6.362-113.0	O-Ring seal 6,0 x 2,0 NBR 70	1.000	ST		
18	6.362-384.0	O-Ring seal 9x1,5 - NBR 70	1.000	ST		
35	6.362-480.0	O-Ring seal 12,42x 1,78	1.000	ST		
37	6.362-078.0	O-Ring seal 13,3x2,4	1.000	ST		
23	6.362-533.0	O-Ring seal 14,0 X 1,5-NBR 70	3.000	ST		
42	6.362-481.0	O-Ring seal 14,0 x 2,0 NBR 80	1.000	ST		
25	6.362-989.0	O-Ring seal 18x2 - NBR 80	1.000	ST	HD 5/12 CX	
7	6.362-376.0	O-Ring seal 24,0 X 1,5	3.000	ST		
30	6.362-468.0	O-Ring seal complete 1ST.-R.	1.000	ST	HD 5/14 CX ;HD 5/15 CX ;HD 6/13 CX	
24	4.591-038.0	Overflow valve	1.000	ST		
12	5.003-062.0	Plate	1.000	ST		
46	5.005-314.0	Plate suction cover	1.000	ST		
45	5.365-284.0	Profile gasket	1.000	ST		
100	2.883-997.0	PUMP SET HD 5/12 C	1.000	ST		
34	5.034-494.0	Retaining bracket	1.000	ST		
40	7.303-108.0	Screw 5x20 -10.9-R2R (In6Rd)	1.000	ST		

## 21 Cylinder head

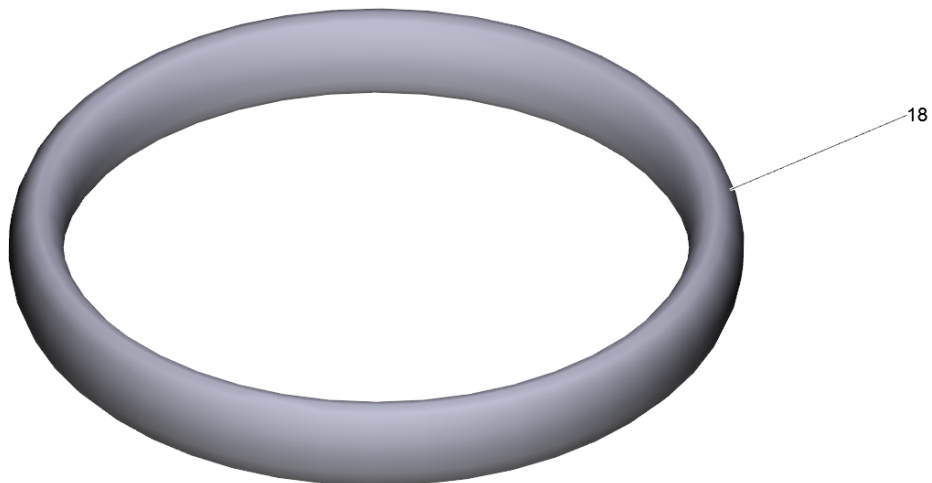
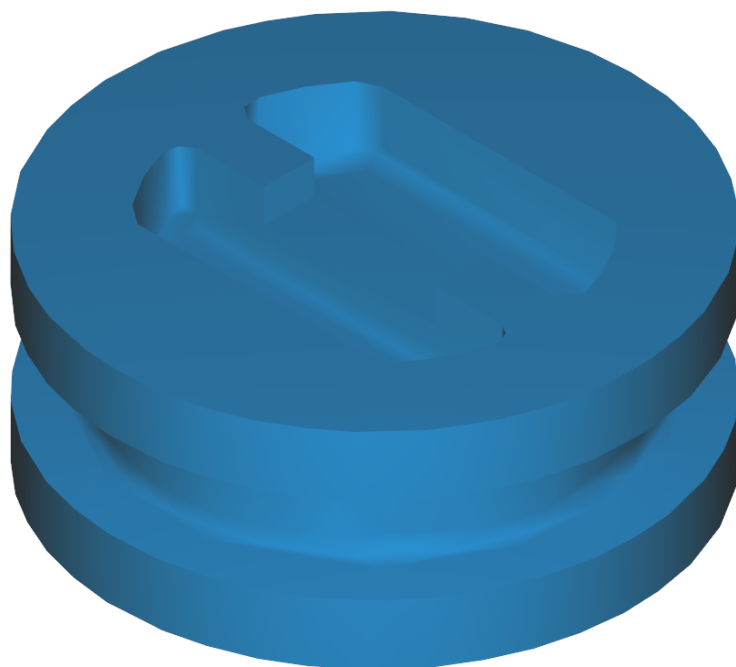
POS	Article no.	Description	Quantity	Unit	Remark	Foot note text
1	7.306-105.0	Screw M6x30 -8.8-R3R (In6Rd)	4.000	ST		
44	7.306-129.0	Screw M6x40 -8.8-R3R (In6Rd)	4.000	ST		
22	5.411-171.0	Screw plug	1.000	ST		
26	5.411-172.0	Screw plug	1.000	ST	HD 5/12 CX	
27	5.110-630.0	Sleeve	1.000	ST	HD 5/14 CX ;HD 5/15 CX ;HD 6/13 CX	
10	2.884-501.0	Spare part set control piston	1.000	ST		
15	7.401-908.0	Sphere 7 G300 -1.4301 DIN 5401	1.000	ST		
31	4.291-014.0	Spindle complete	1.000	ST	HD 5/14 CX ;HD 5/15 CX ;HD 6/13 CX	
2	6.414-252.0	Strainer	1.000	ST		
43	5.064-230.0	Suction cover	1.000	ST		
3	5.064-150.0	Suction cover	1.000	ST		
41	5.402-727.0	Suction nipple	1.000	ST		
33	4.744-168.0	Switch complete	1.000	ST		
4	2.884-916.0	Valve (3 Stück)	2.000	ST		SET CONSITSTS OF 3X VALVE
20	4.584-022.0	Valve pin complete	1.000	ST		
29	5.583-147.0	Valve screw	1.000	ST	HD 5/14 CX ;HD 5/15 CX ;HD 6/13 CX	
8	5.115-721.0	Washer	3.000	ST		
5	5.116-093.0	Washer	3.000	ST		



4 Valve (3 Stück) (2.884-916.0)

---

POS	Article no.	Description	Quantity	Unit
15	6.362-077.0	O-Ring seal 10 x 2,2 NBR 70	1.000	ST

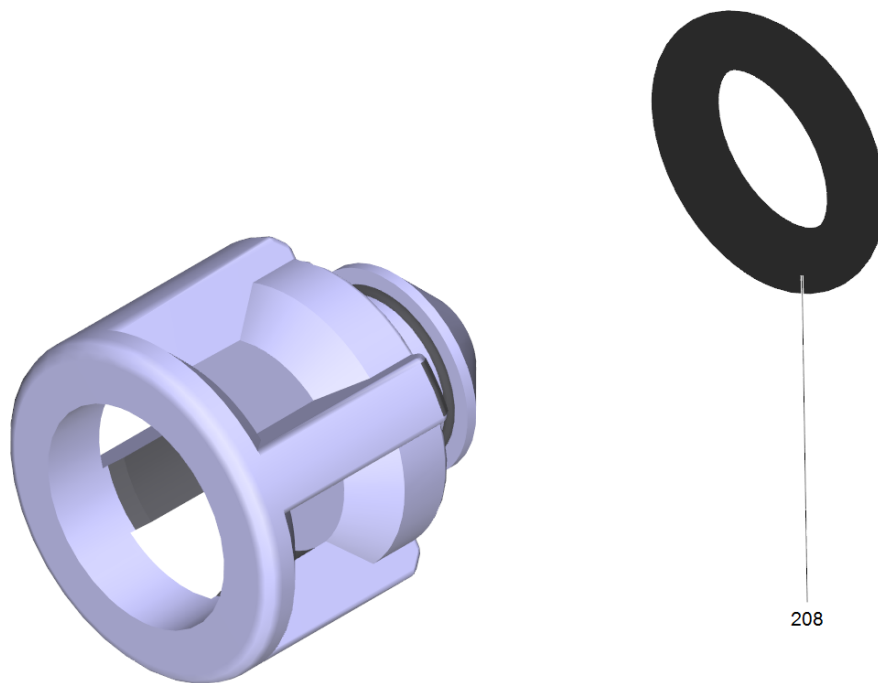


11 Drain plug only for replacement (4.132-007.0)

---

<b>POS</b>	<b>Article no.</b>	<b>Description</b>	<b>Quantity</b>	<b>Unit</b>
18	6.362-458.0	O-Ring seal 11,0x2,0-NBR 70	1.000	ST

---

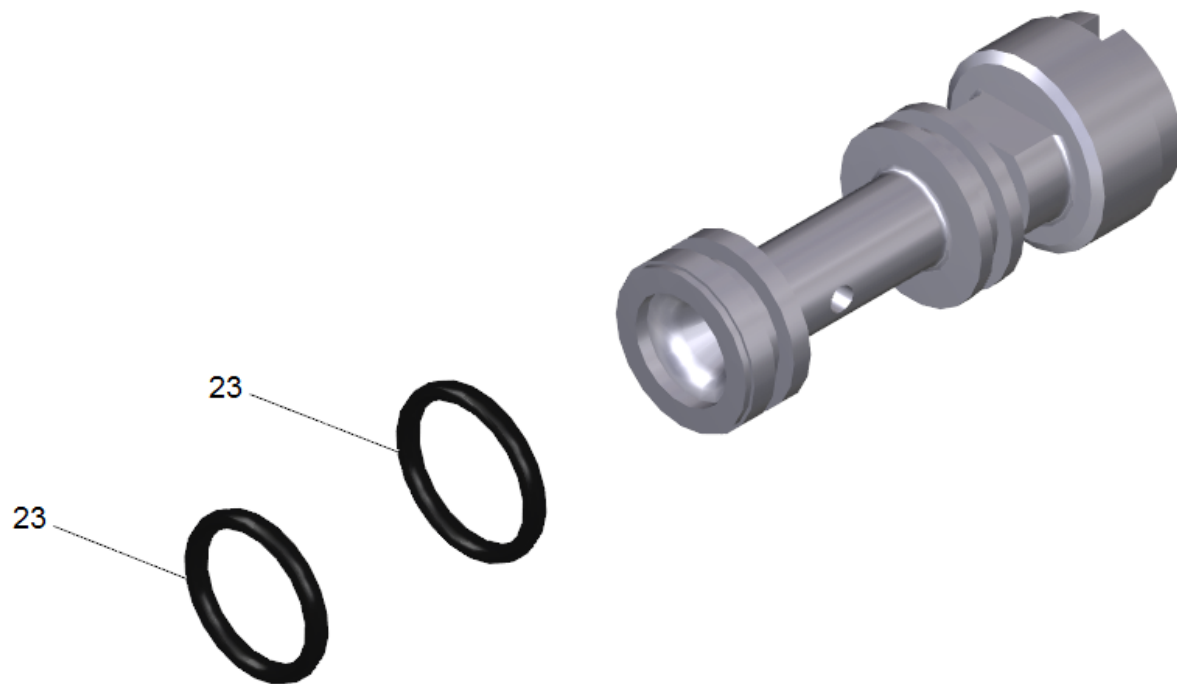


20 Valve pin complete (4.584-022.0)

---

<b>POS</b>	<b>Article no.</b>	<b>Description</b>	<b>Quantity</b>	<b>Unit</b>
208	6.363-613.0	O-Ring seal 4 x 2 -NBR90	1.000	ST

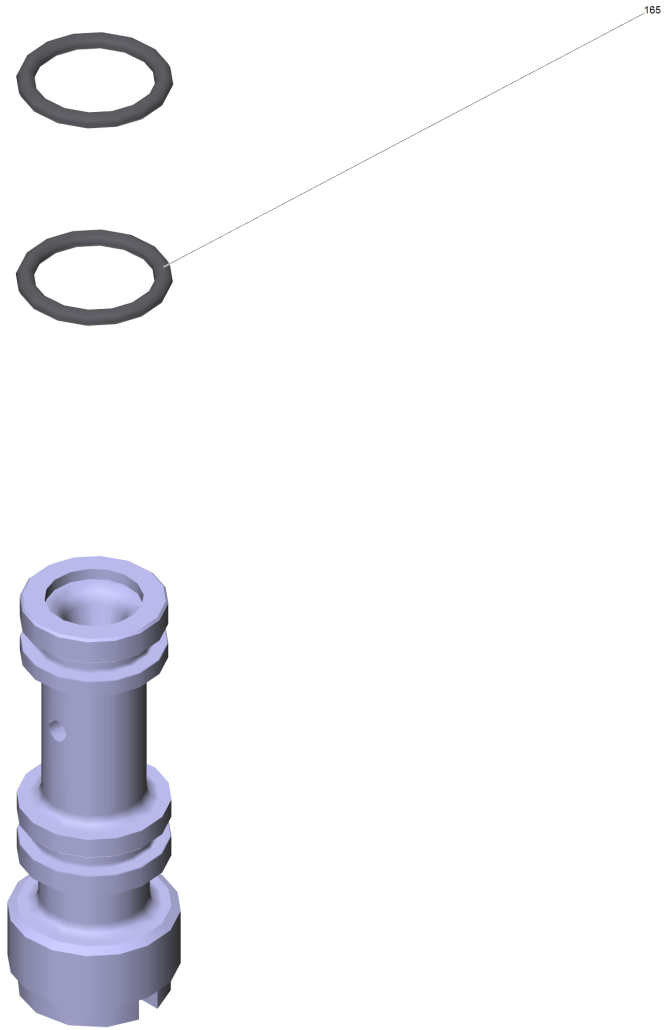




21 Nozzle insert only for replacement (4.769-034.0)

---

<b>POS</b>	<b>Article no.</b>	<b>Description</b>	<b>Quantity</b>	<b>Unit</b>
23	6.362-384.0	O-Ring seal 9x1,5 - NBR 70	2.000	ST



21 Nozzle insert (4.769-035.0)

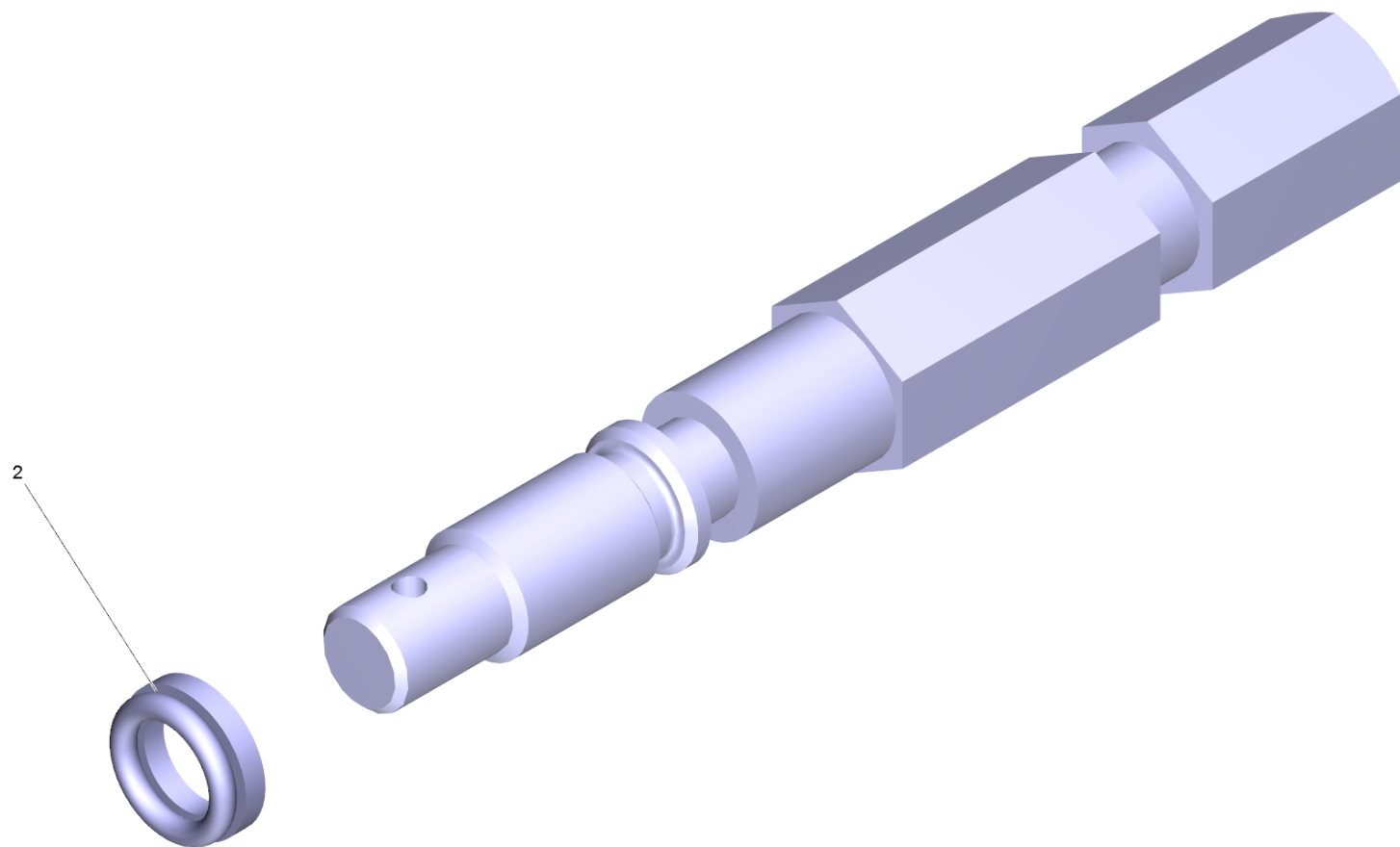
---

<b>POS</b>	<b>Article no.</b>	<b>Description</b>	<b>Quantity</b>	<b>Unit</b>
165	6.362-384.0	O-Ring seal 9x1,5 - NBR 70	2.000	ST

## 24 Overflow valve (4.591-038.0)

---

<b>POS</b>	<b>Article no.</b>	<b>Description</b>	<b>Quantity</b>	<b>Unit</b>
42		Grease PFAE	1.000	KG
20	5.332-425.0	Helical spring	1.000	ST
44	6.362-169.0	O-Ring seal 12,0 X 2,0	1.000	ST
47	6.362-454.0	O-Ring seal complete 2ST.-R.	1.000	ST
26	5.553-390.0	Piston	1.000	ST
14	5.305-264.0	Shaped screw	1.000	ST
28	5.581-230.0	Valve seat	1.000	ST

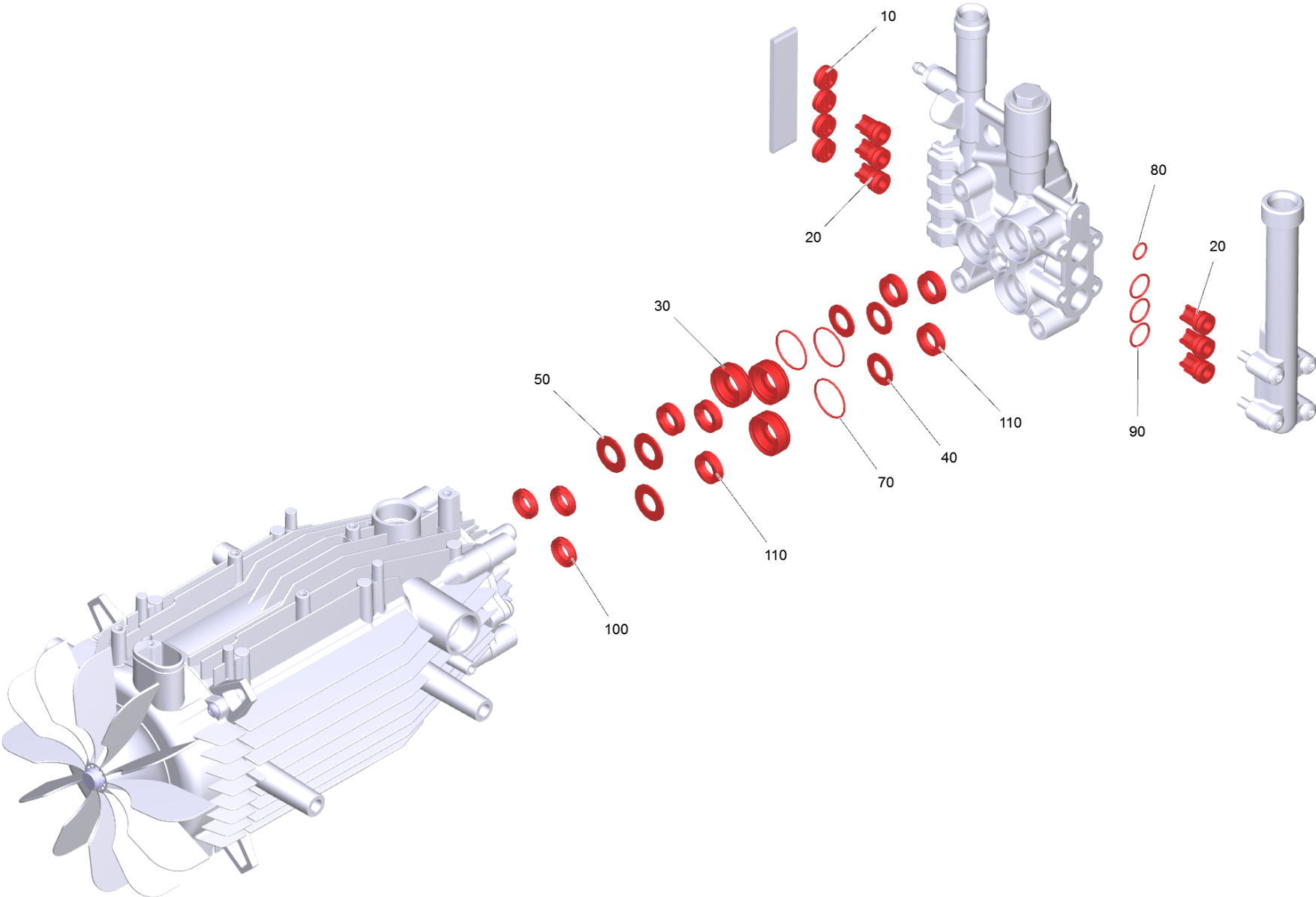


31 Spindle complete (4.291-014.0)

---

<b>POS</b>	<b>Article no.</b>	<b>Description</b>	<b>Quantity</b>	<b>Unit</b>
2	6.362-468.0	O-Ring seal complete 1ST.-R.	1.000	ST

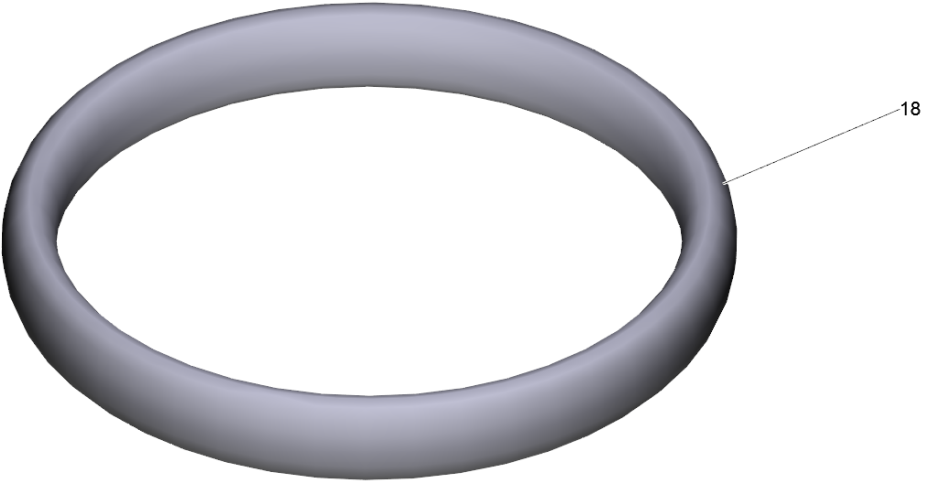
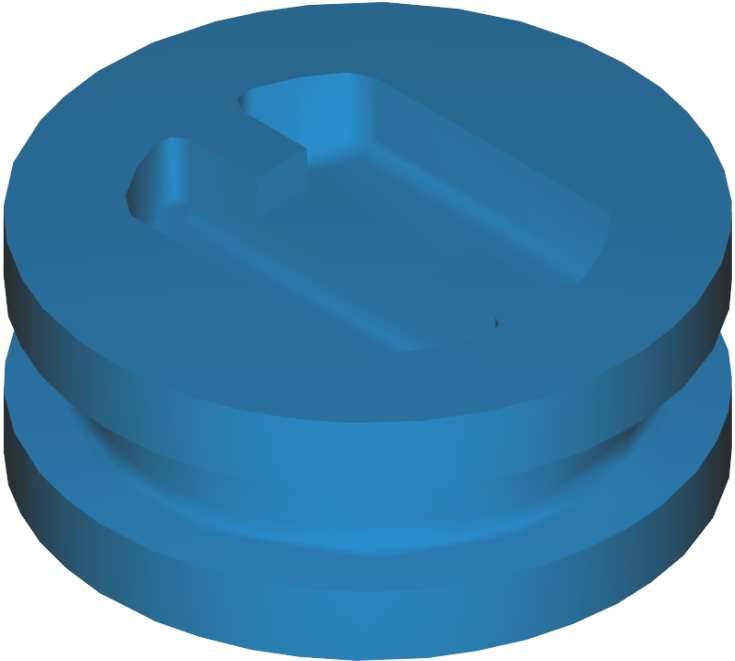
---





100 PUMP SET HD 5/12 C (2.883-997.0)

POS	Article no.	Description	Quantity	Unit
30	5.112-726.0	Bush	3.000	ST
10	4.132-007.0	Drain plug only for replacement	4.000	ST
100	6.365-001.0	Grooved ring 12x20x4/6	3.000	ST
110	6.365-477.0	Grooved ring 12x20x5,3/2,8	6.000	ST
80	6.362-384.0	O-Ring seal 9x1,5 - NBR 70	1.000	ST
90	6.362-533.0	O-Ring seal 14,0 X 1,5-NBR 70	3.000	ST
70	6.362-376.0	O-Ring seal 24,0 X 1,5	3.000	ST
60	6.288-072.0	Silicon grease	1.000	ST
20	2.884-916.0	Valve (3 Stück)	2.000	ST
40	5.115-721.0	Washer	3.000	ST
50	5.116-093.0	Washer	3.000	ST

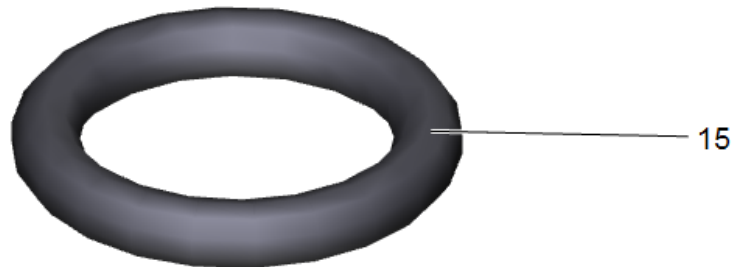
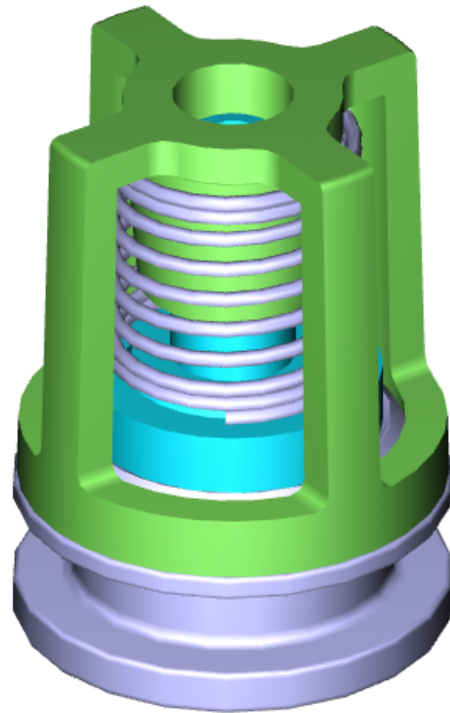


10 Drain plug only for replacement (4.132-007.0)

---

<b>POS</b>	<b>Article no.</b>	<b>Description</b>	<b>Quantity</b>	<b>Unit</b>
18	6.362-458.0	O-Ring seal 11,0x2,0-NBR 70	1.000	ST

---

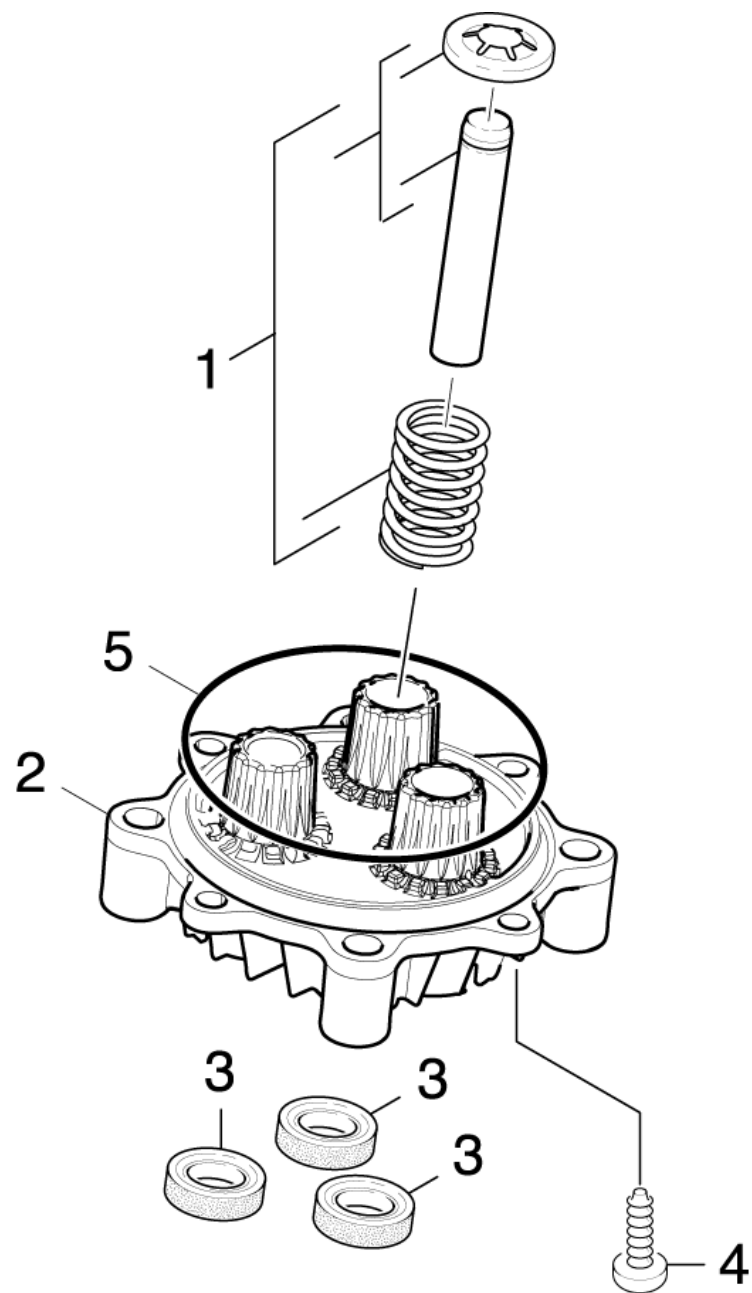


15

20 Valve (3 Stück) (2.884-916.0)

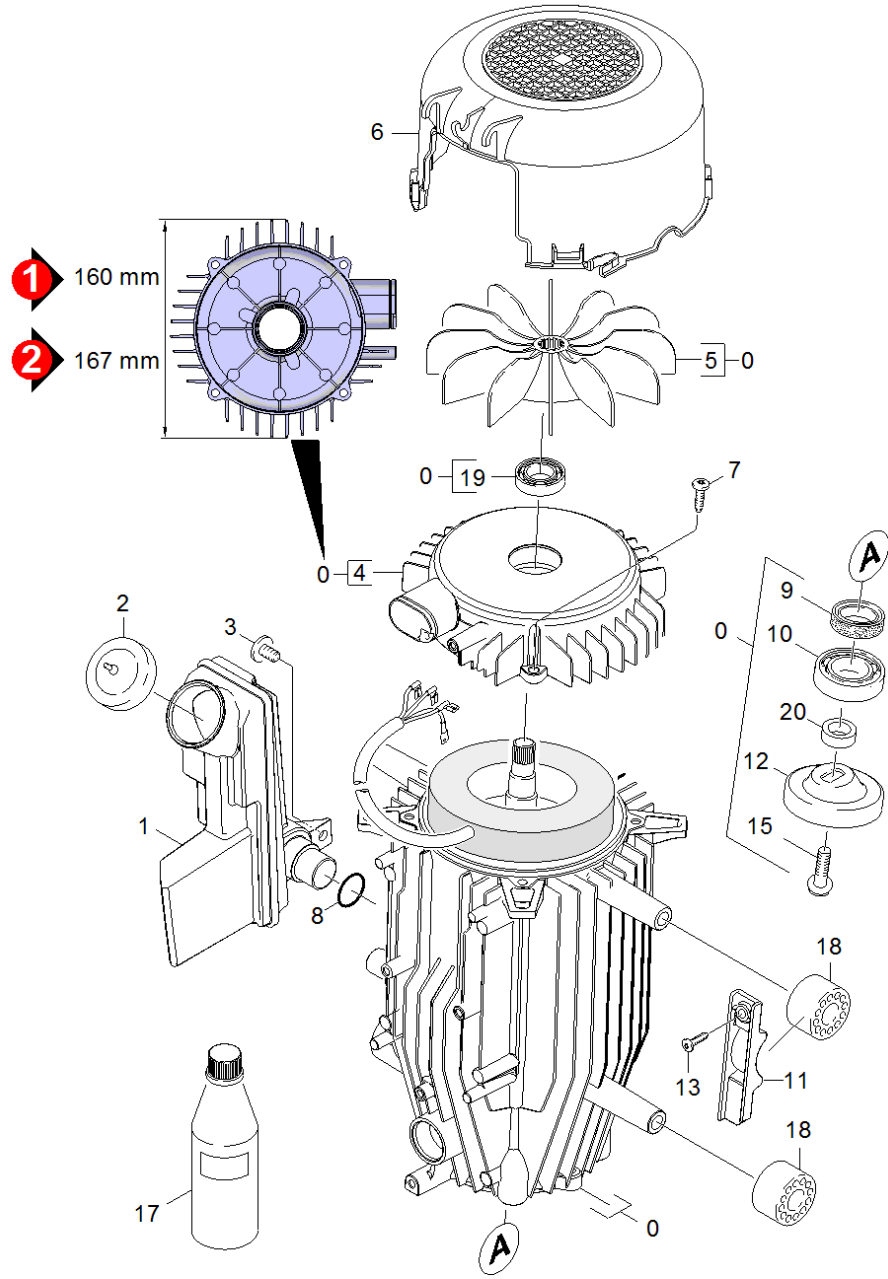
---

<b>POS</b>	<b>Article no.</b>	<b>Description</b>	<b>Quantity</b>	<b>Unit</b>
15	6.362-077.0	O-Ring seal 10 x 2,2 NBR 70	1.000	ST



## 22 Thrust guidance

POS	Article no.	Description	Quantity	Unit
3	6.365-001.0	Grooved ring 12x20x4/6	3.000	ST
5	6.363-077.0	O-Ring seal 75x3	1.000	ST
1	4.553-230.0	Piston complete	3.000	ST
	<b>Item text1:</b> 1.514-114.0 /-125.0 /-128.0 /-501.0 /-502.0 /-551.0 /-552.0 /-553.0 /-554.0			
1	4.553-231.0	Piston complete only for replacement	3.000	ST
	<b>Item text1:</b> 1.514-601.0 /-651.0 /-652.0 /			
4	7.303-047.0	Screw M6x16 -St-R3R (In6Rd)	2.000	ST
2	5.061-018.3	Thrust guidance	1.000	ST



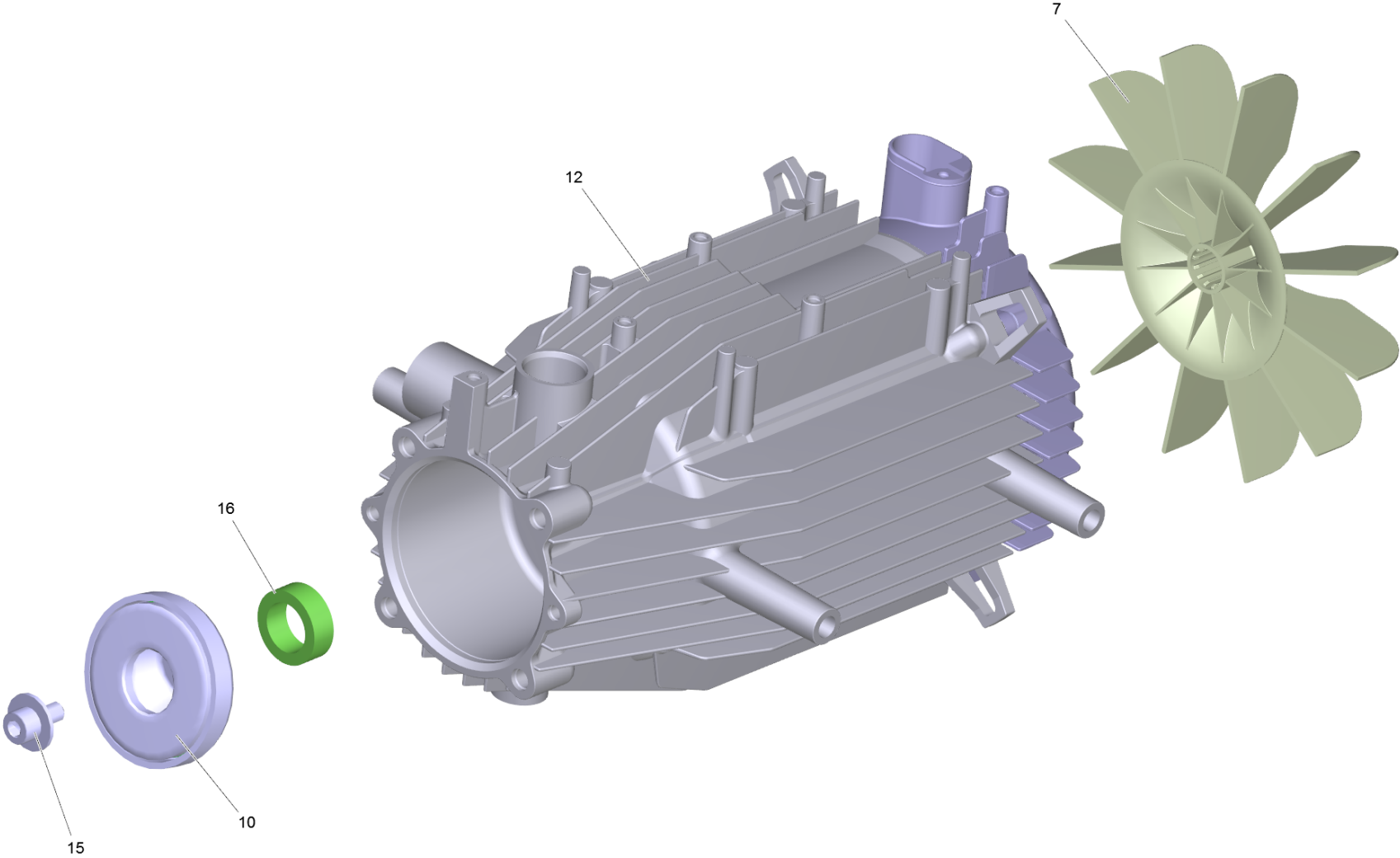


## 30 Motor

POS	Article no.	Description	Quantity	Unit	Foot note text
6	5.692-081.0	Air circulation	1.000	ST	
10	6.401-427.0	Angular contact ball bearing	1.000	ST	
	<b>Item text1:</b> 1.514-125.0 /-128.0				
10	6.401-437.0	Ball bearing	1.000	ST	
	<b>Item text1:</b> 1.514-114.0 /-501.0 /-502.0 /-551.0				
	<b>Item text2:</b> /-552.0 /-553.0 /-601.0 /-651.0				
19	7.401-128.0	Ball bearing 6202-2RS -Wälzl.St DIN 625	1.000	ST	
4	5.094-127.0	Bearing cover B	1.000	ST	VERSION 1
4	5.094-148.0	Bearing cover B	1.000	ST	VERSION 2
5	5.600-060.0	Blower wheel	1.000	ST	
2	5.063-389.0	Cover	1.000	ST	
17	6.288-050.0	Engine oil 1L	1.000	ST	
0	4.623-618.0	Motor complete	1.000	ST	VERSION 1
	<b>Item text1:</b> / 1.514-601.0 / -651.0 /-652.0 /				
0	4.623-815.0	Motor complete	1.000	ST	
	<b>Item text1:</b> 1.514-114.0 /-502.0				
0	4.623-615.0	Motor complete	1.000	ST	VERSION 1
	<b>Item text1:</b> / 1.514-501.0 / -551.0 / -552.0				
	<b>Item text2:</b> / -553.0 /-554.0				
0	4.624-012.0	Motor complete only for replacement	1.000	ST	VERSION 1
	<b>Item text1:</b> 1.514-125.0				
0	4.624-093.0	Motor complete only for replacement	1.000	ST	VERSION 2
	<b>Item text1:</b> 1.514-651.0 /-652.0				
0	4.624-091.0	Motor complete only for replacement	1.000	ST	VERSION 2
	<b>Item text1:</b> 1.514-551.0 /-552.0 /-553.0 /-554.0				
0	4.624-095.0	Motor complete only for replacement	1.000	ST	VERSION 2
	<b>Item text1:</b> 1.514-125.0 /-128.0				
11	5.802-288.0	Mounting part	2.000	ST	
8	6.362-161.0	O-Ring seal 19,3 X 2,4	1.000	ST	
9	7.367-001.0	Radial shaft seal ring A24x37x7 -NBR DI	1.000	ST	
18	5.767-005.0	Rubber buffer	4.000	ST	
13	7.303-108.0	Screw 5x20 -10.9-R2R (In6RD)	2.000	ST	
3	6.303-153.0	Screw M5x15-ST-R2R (IN6RD)	1.000	ST	

### 30 Motor

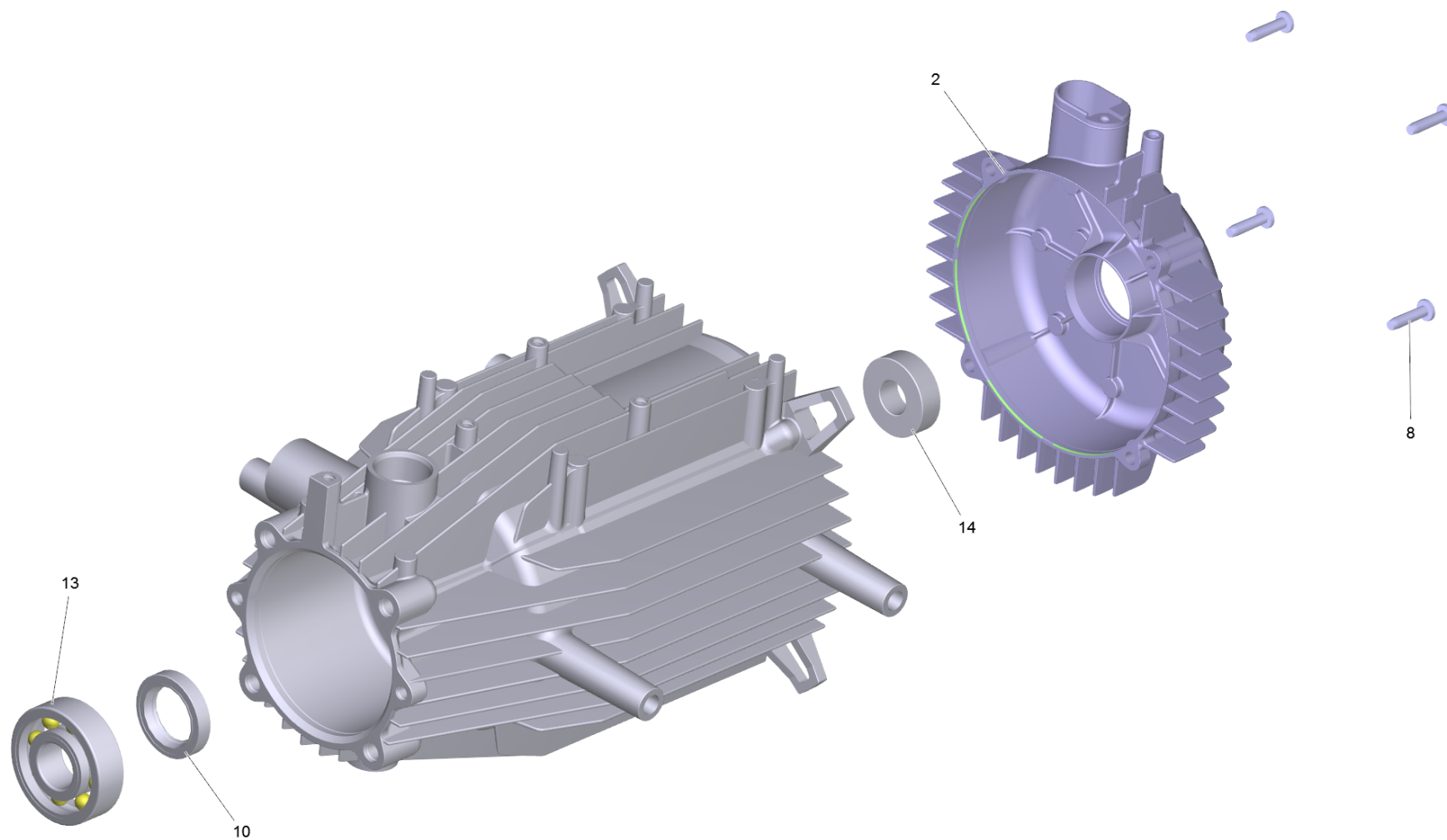
POS	Article no.	Description	Quantity	Unit	Foot note text
7	6.303-320.0	Screw M 5x 20-St-R2R	4.000	ST	
1	5.070-639.0	Tank oil	1.000	ST	
20	5.116-144.0	Washer	1.000	ST	VERSION 2
	<b>Item text1:</b> 1.514-125.0 /-128.0 /-551.0 /-552.0 /-553.0 / -554.0 /-651.0 /-652.0				
12	6.401-289.0	Wobble plate	1.000	ST	
	<b>Item text1:</b> / 1.514-114.0 /-125.0 /-128.0 /-501.0 /-502.0 /-551.0 / -552.0 /-553.0 /-554.0				
12	6.401-395.0	Wobble plate	1.000	ST	
	<b>Item text1:</b> / 1.514-601.0 / -651.0 /-652.0 /				
15	9.086-169.0	Wobble plate screw M8x16	1.000	ST	



Motor complete only for replacement (4.624-095.0)

---

POS	Article no.	Description	Quantity	Unit
7	5.600-060.0	Blower wheel	1.000	ST
12		Motor complete	1.000	ST
16	5.116-144.0	Washer	1.000	ST
10	6.401-289.0	Wobble plate	1.000	ST
15	9.086-169.0	Wobble plate screw M8x16	1.000	ST



## 12 Motor complete

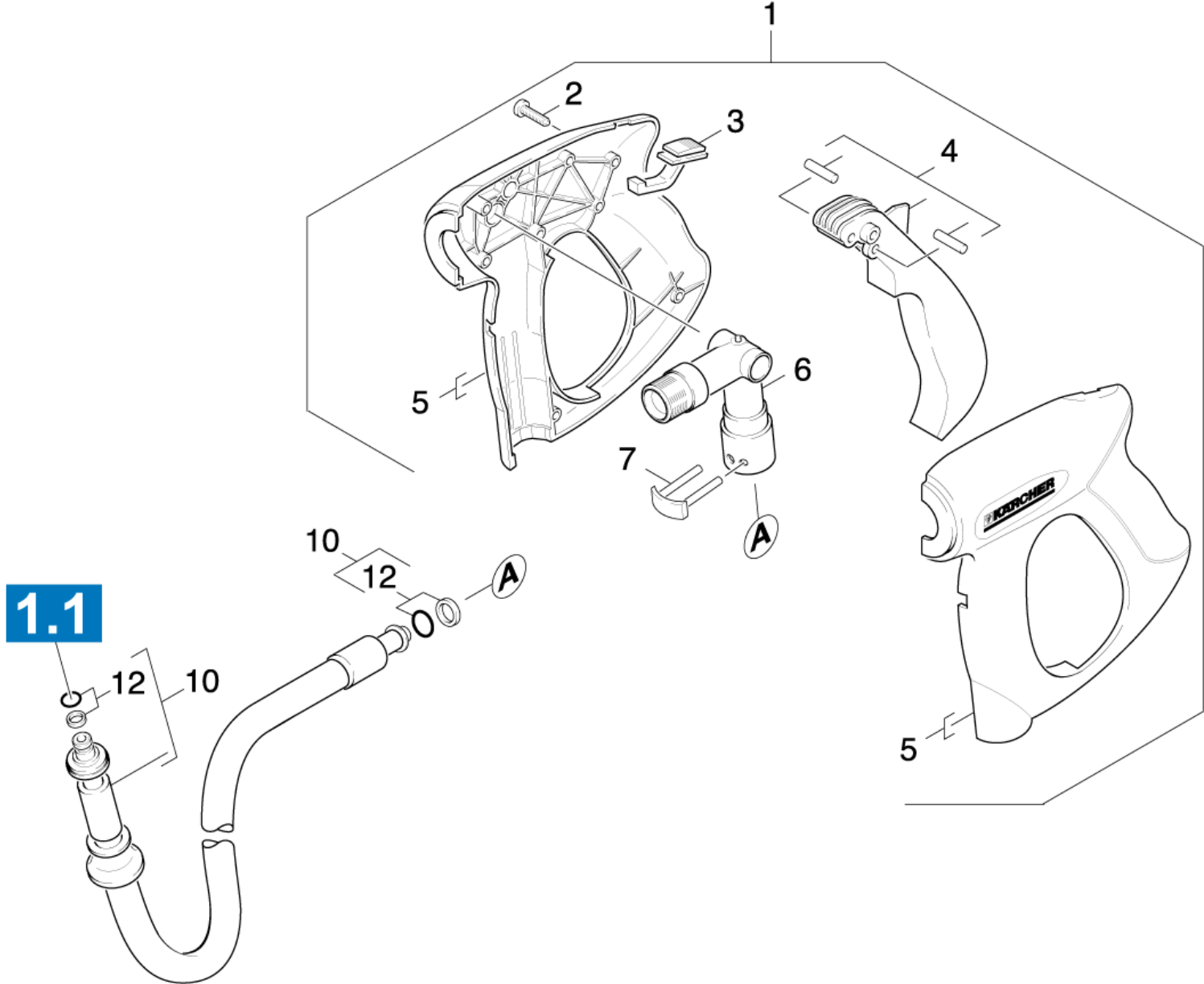
---

<b>POS</b>	<b>Article no.</b>	<b>Description</b>	<b>Quantity</b>	<b>Unit</b>
13	6.401-427.0	Angular contact ball bearing	1.000	ST
14	7.401-128.0	Ball bearing 6202-2RS -Wälzl.St DIN 625	1.000	ST
2	5.094-148.0	Bearing cover B	1.000	ST
10	7.367-001.0	Radial shaft seal ring A24x37x7 -NBR DI	1.000	ST
8	6.303-320.0	Screw M 5x 20-St-R2R	4.000	ST

## 40 Accessories

---

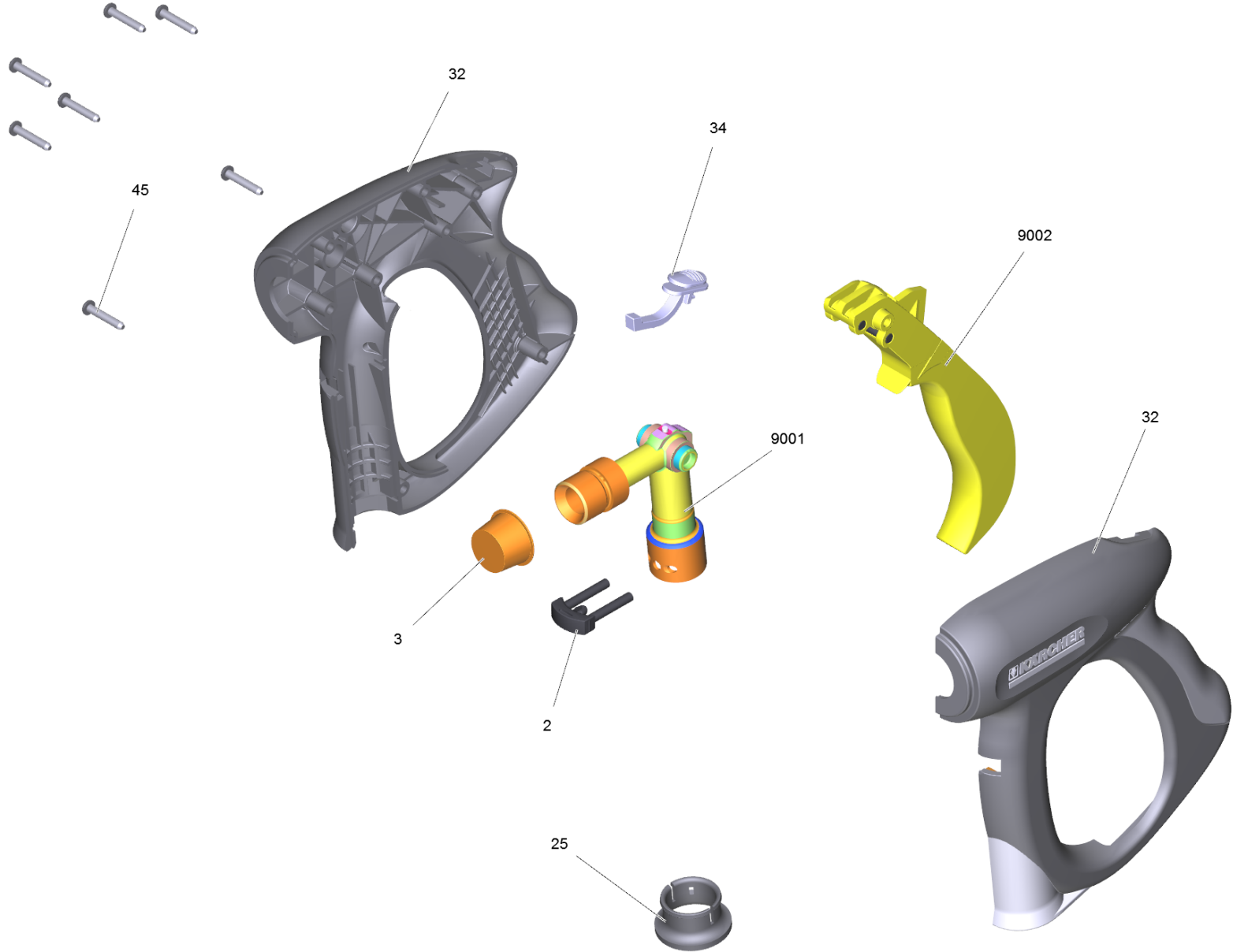
<b>POS</b>	<b>Description</b>	<b>Quantity</b>	<b>Unit</b>	<b>Remark</b>
41	Hand trigger gun	1.000	ST	VERSION 1
43	Hand trigger gun	1.000	ST	VERSION 3
42	Hand trigger gun	1.000	ST	VERSION 2
45	Jet pipe	1.000	ST	
44	Jet pipe	1.000	ST	
46	Nozzle	1.000	ST	VERSION 1
47	Nozzle	1.000	ST	VERSION 2
48	Surface cleaner	1.000	ST	





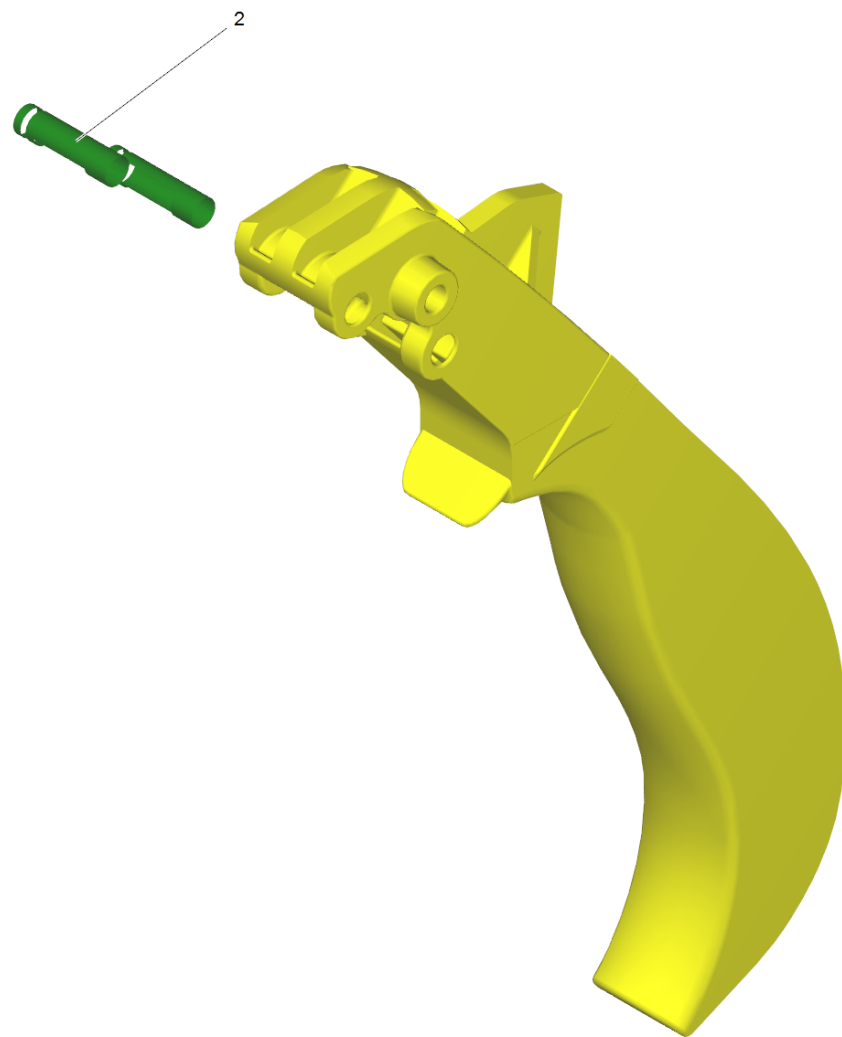
## 41 Hand trigger gun

POS	Article no.	Description	Quantity	Unit
5	5.321-669.3	Handhold few	1.000	ST
1	4.775-463.0	HAND TRIGGER GUN EASY PRESS	1.000	ST
7	4.037-013.0	Hook	1.000	ST
10	6.391-417.0	Hose assembly standard DN6 25MPa 15m	1.000	ST
4	4.481-209.0	Lever complete	1.000	ST
6	4.427-215.0	Manifold complete only for replacement	1.000	ST
12	4.363-691.0	O-Ring seal kpl. -nur fuer Ersatz-	1.000	ST
2	7.303-096.0	Screw 4x22 -ST-10.9-R2R (IN6RD)	7.000	ST
3	5.481-331.0	Slider	1.000	ST



1 HAND TRIGGER GUN EASY PRESS (4.775-463.0)

POS	Article no.	Description	Quantity	Unit
32	5.321-669.3	Handhold few	1.000	ST
2	4.037-013.0	Hook	1.000	ST
9002	4.481-209.0	Lever complete	1.000	ST
9001	4.427-215.0	Manifold complete only for replacement	1.000	ST
4	6.869-075.0	Metal bonding agent 1 ml	1.000	ST
3	6.368-012.0	Protecting cap 22X1,5	1.000	ST
45	7.303-096.0	Screw 4x22 -ST-10.9-R2R (IN6RD)	7.000	ST
1041	6.288-044.0	Silicon grease 100 G	1.000	ST
25	5.110-596.0	Sleeve	1.000	ST
34	5.481-331.0	Slider	1.000	ST

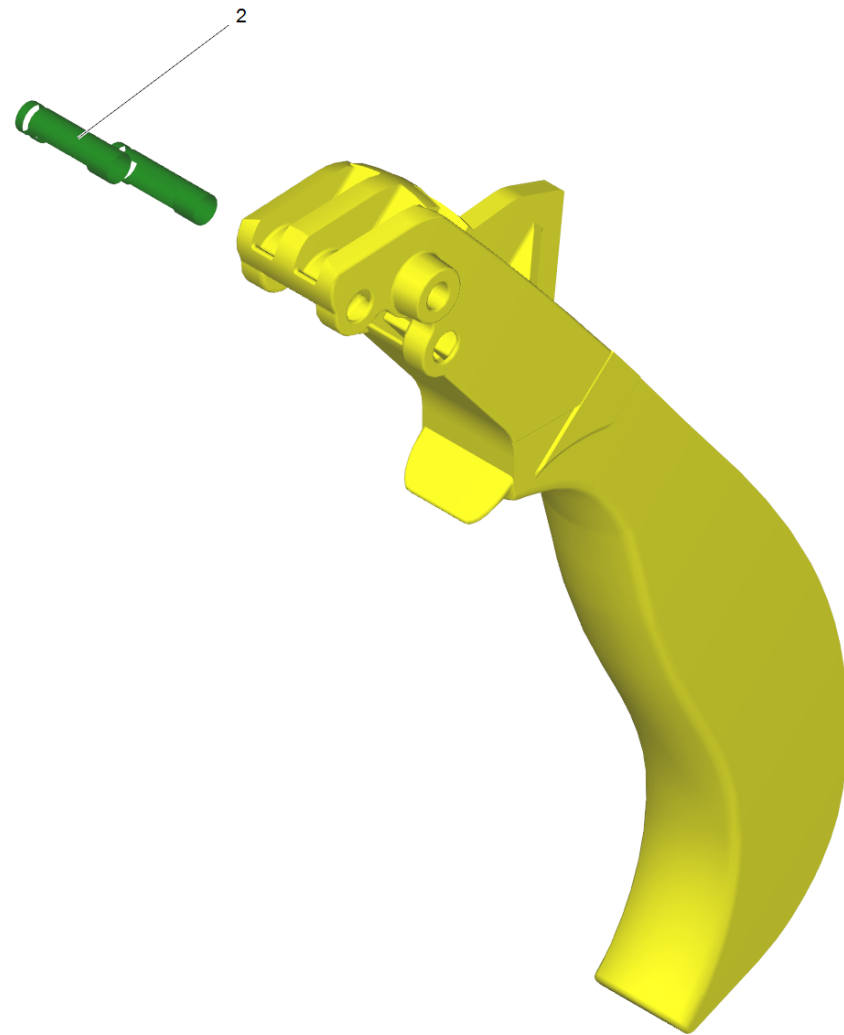


9002 Lever complete (4.481-209.0)

---

<b>POS</b>	<b>Article no.</b>	<b>Description</b>	<b>Quantity</b>	<b>Unit</b>
2	5.314-119.0	Pin	2.000	ST

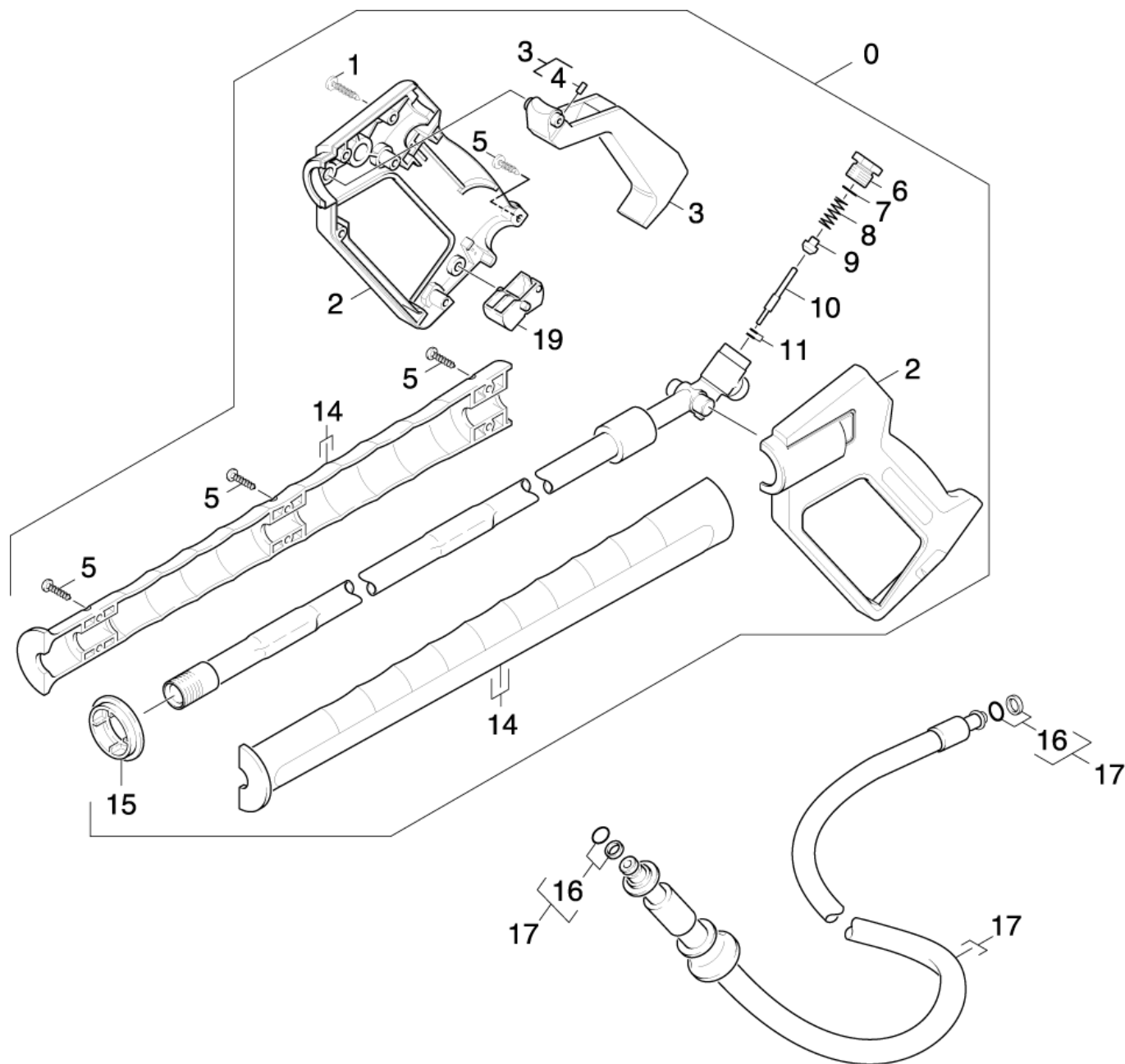
---



4 Lever complete (4.481-209.0)

---

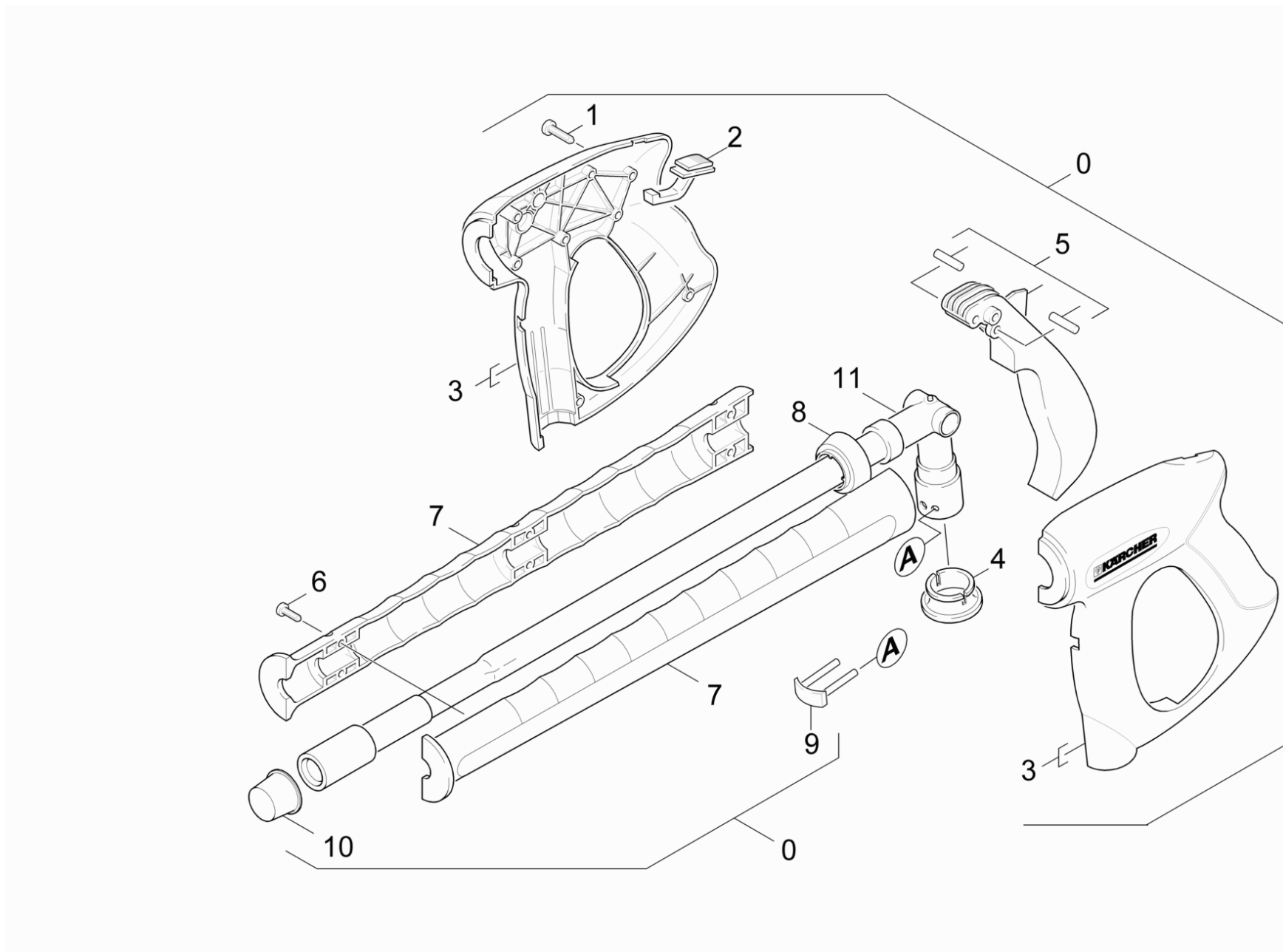
POS	Article no.	Description	Quantity	Unit
2	5.314-119.0	Pin	2.000	ST





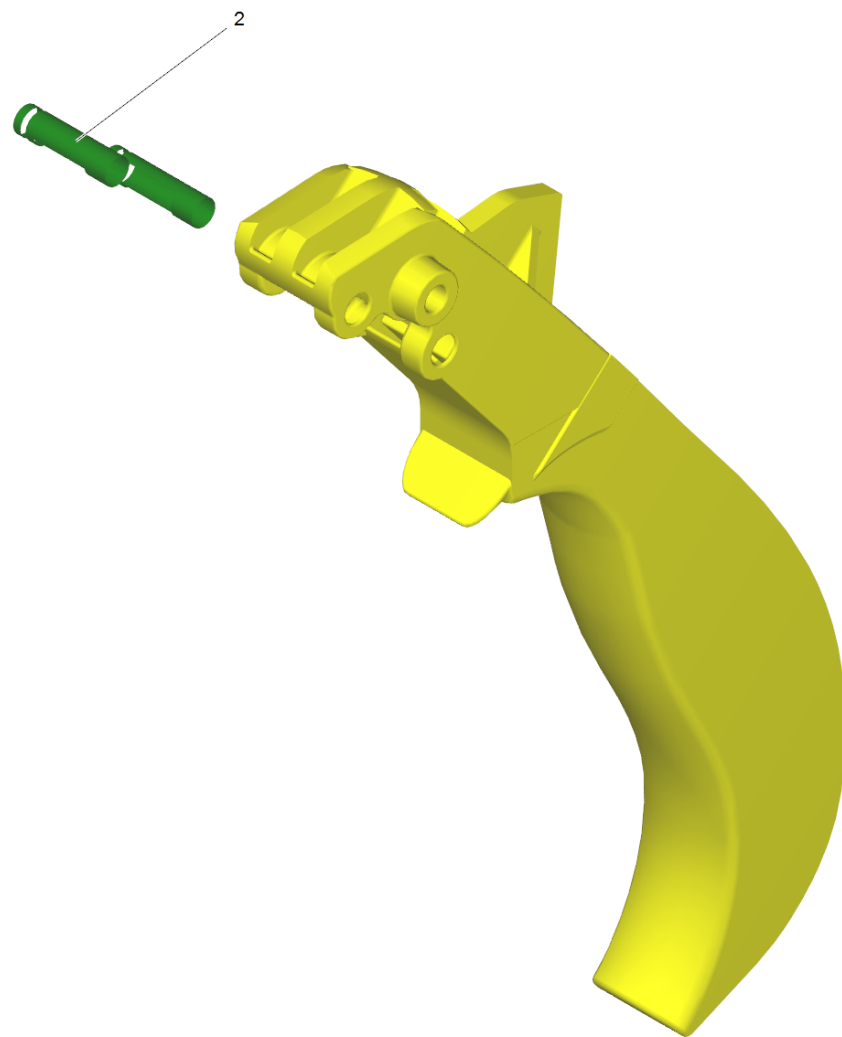
## 42 Hand trigger gun

POS	Article no.	Description	Quantity	Unit
10	5.107-259.0	Bar	1.000	ST
2	5.321-206.0	Handhold few	1.000	ST
14	5.322-083.0	Handhold few extended Low End	1.000	ST
0	4.775-492.0	Hand trigger gun	1.000	ST
8	5.332-157.0	Helical spring	1.000	ST
17	6.391-417.0	Hose assembly standard DN6 25MPa 15m	1.000	ST
19	5.481-052.0	Lever	1.000	ST
3	4.481-050.0	Lever	1.000	ST
15	5.031-259.0	Moulded part	1.000	ST
7	6.362-584.0	O-Ring seal 12,42X 1,78	1.000	ST
11	6.362-571.0	O-Ring seal complete /1ST.-R	1.000	ST
16	4.363-691.0	O-Ring seal kpl. -nur fuer Ersatz-	1.000	ST
5	7.303-129.0	Screw 4x16 -10.9-R2R (K-In6Rd)	7.000	ST
1	7.303-096.0	Screw 4x22 -ST-10.9-R2R (IN6RD)	6.000	ST
6	5.411-067.0	Screw plug	1.000	ST
4	7.307-417.0	Threaded pin M8x16 -45H-A2E ISO 4026	1.000	ST
9	5.582-058.0	Valve disc	1.000	ST



Hand trigger gun (4.775-492.0)

POS	Article no.	Description	Quantity	Unit
7	5.322-083.0	Handhold few extended Low End	1.000	ST
3	5.322-082.0	Handhold few hand trigger gun Low End	1.000	ST
9	4.037-013.0	Hook	1.000	ST
5	4.481-209.0	Lever complete	1.000	ST
11	4.427-363.0	Manifold complete only for replacement L	1.000	ST
8	5.032-801.0	Moulded part	1.000	ST
10	6.368-012.0	Protecting cap 22X1,5	1.000	ST
6	7.303-129.0	Screw 4x16 -10.9-R2R (K-In6Rd)	6.000	ST
1	7.303-096.0	Screw 4x22 -ST-10.9-R2R (IN6RD)	7.000	ST
4	5.110-596.0	Sleeve	1.000	ST
2	5.481-331.0	Slider	1.000	ST
0	4.775-529.0	Trigger gun	1.000	ST

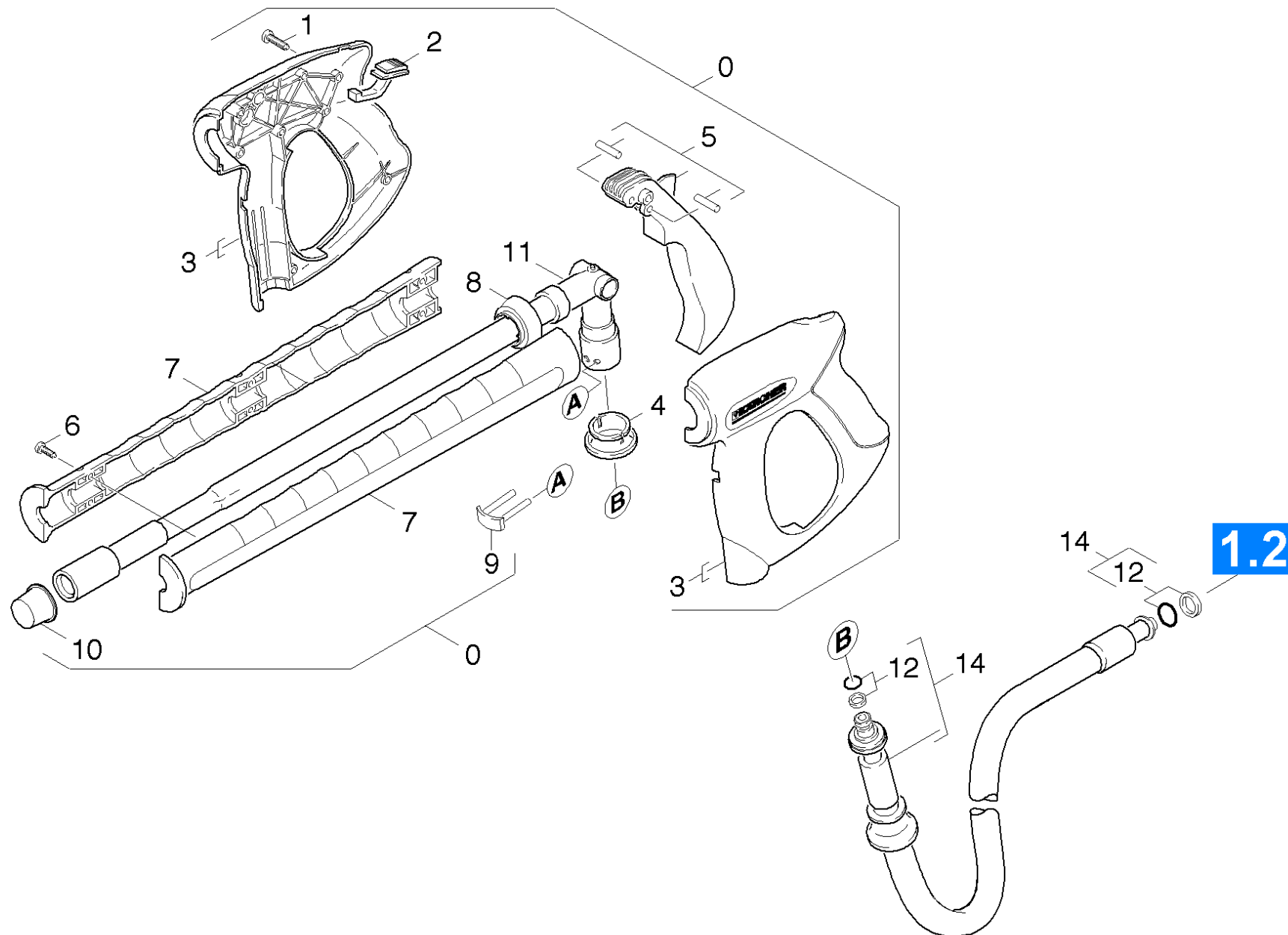


5 Lever complete (4.481-209.0)

---

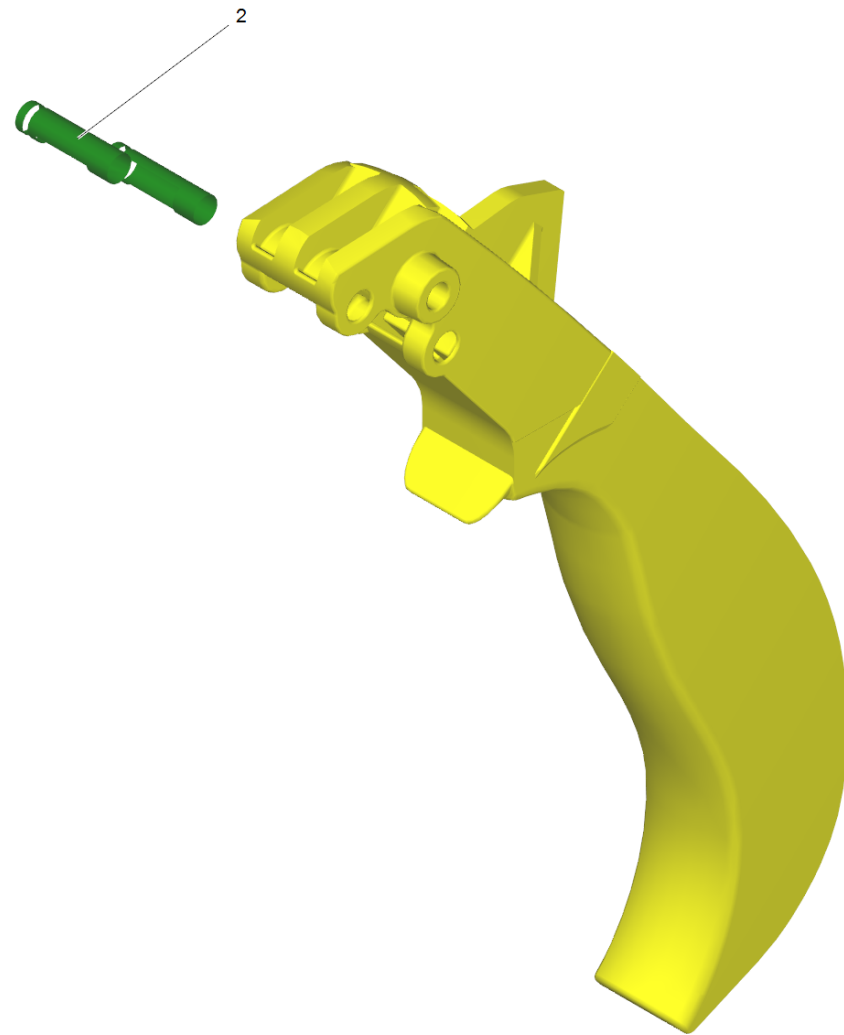
<b>POS</b>	<b>Article no.</b>	<b>Description</b>	<b>Quantity</b>	<b>Unit</b>
2	5.314-119.0	Pin	2.000	ST

---



## 43 Hand trigger gun

POS	Article no.	Description	Quantity	Unit
7	5.322-083.0	Handhold few extended Low End	1.000	ST
3	5.322-082.0	Handhold few hand trigger gun Low End	1.000	ST
9	4.037-013.0	Hook	1.000	ST
14	6.391-417.0	Hose assembly standard DN6 25MPa 15m	1.000	ST
5	4.481-209.0	Lever complete	1.000	ST
11	4.427-363.0	Manifold complete only for replacement L	1.000	ST
8	5.032-801.0	Moulded part	1.000	ST
12	4.363-691.0	O-Ring seal kpl. -nur fuer Ersatz-	2.000	ST
10	6.368-012.0	Protecting cap 22X1,5	1.000	ST
6	7.303-129.0	Screw 4x16 -10.9-R2R (K-In6Rd)	7.000	ST
1	7.303-096.0	Screw 4x22 -ST-10.9-R2R (IN6RD)	7.000	ST
4	5.110-596.0	Sleeve	1.000	ST
2	5.481-331.0	Slider	1.000	ST
0	4.775-529.0	Trigger gun	1.000	ST

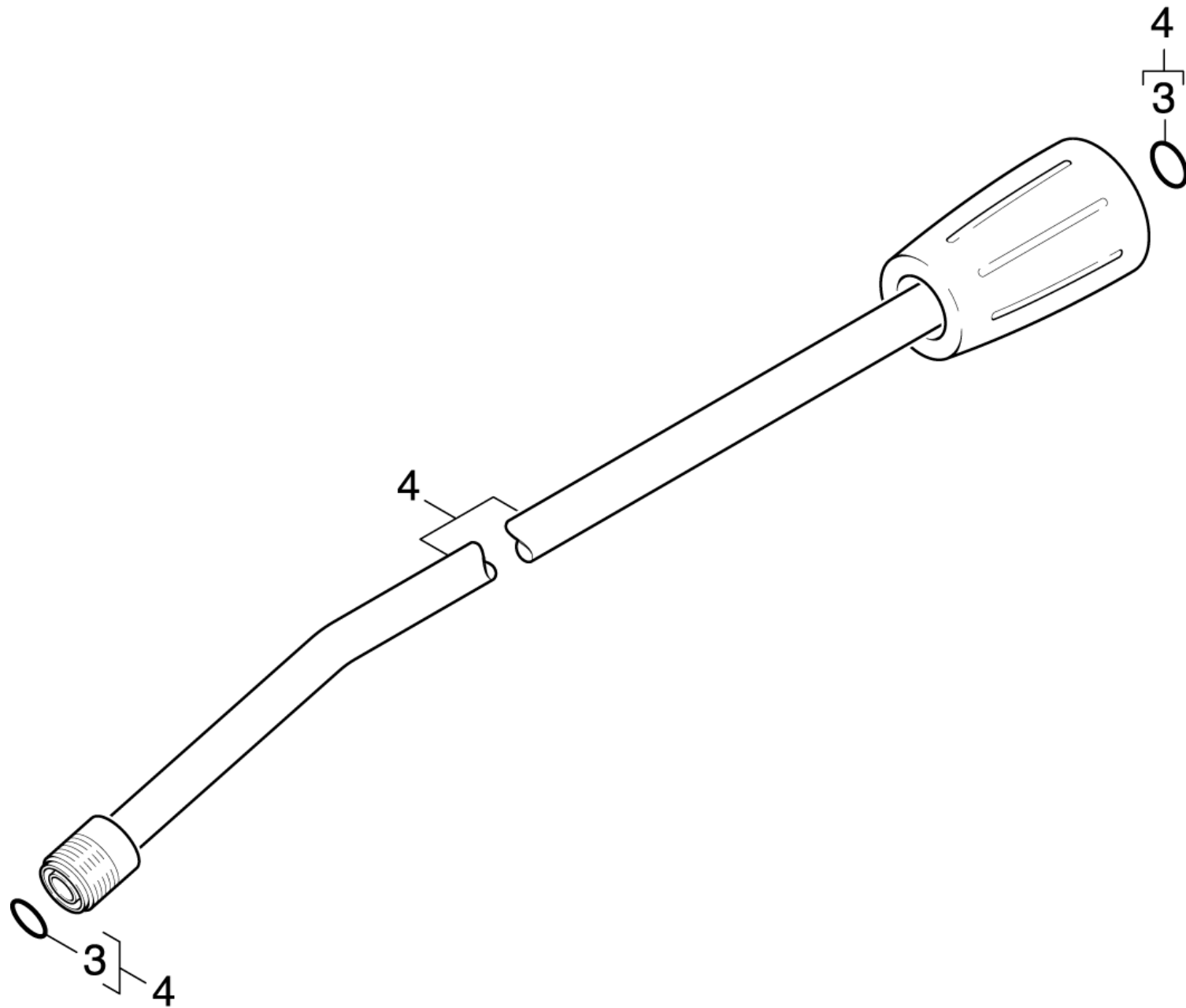




5 Lever complete (4.481-209.0)

---

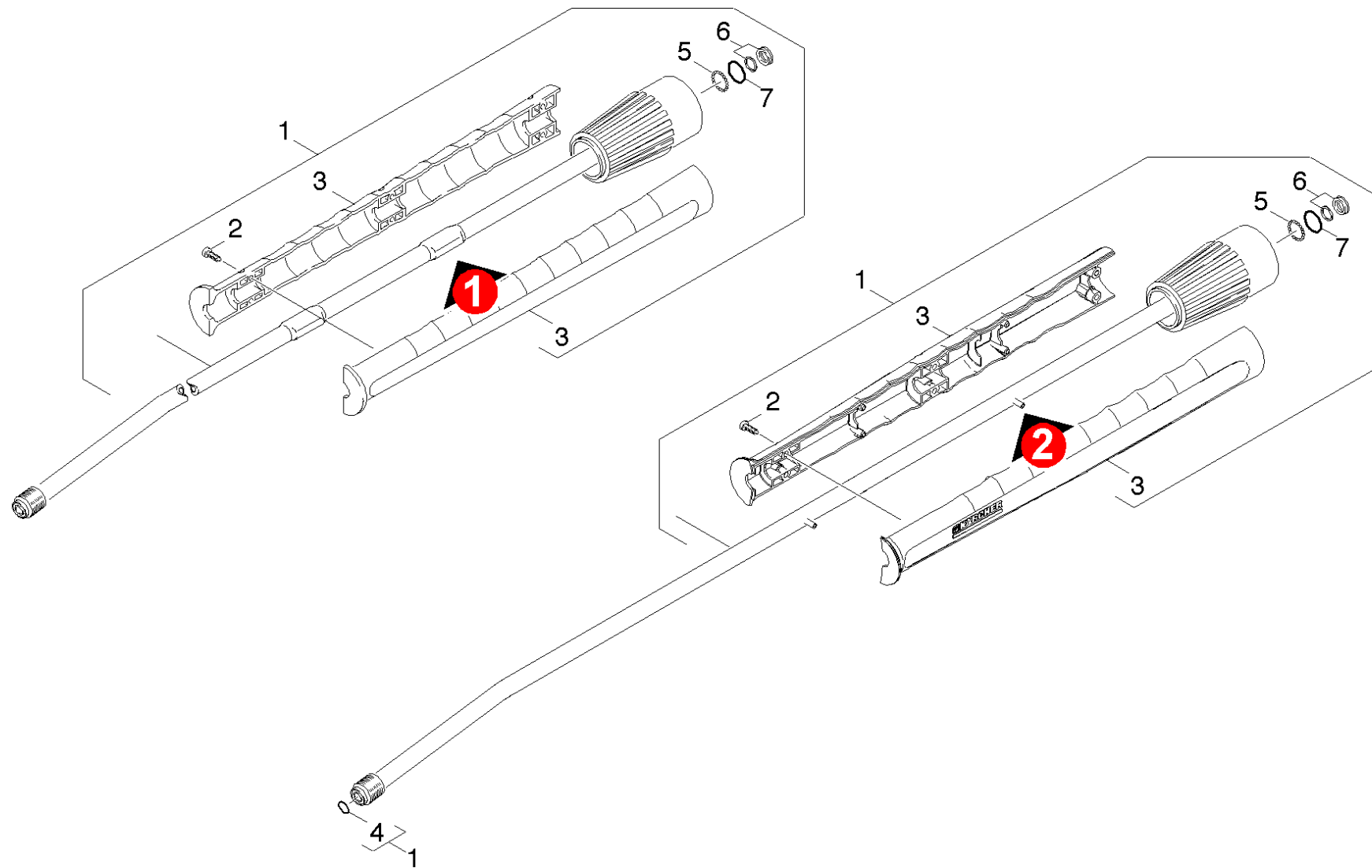
POS	Article no.	Description	Quantity	Unit
2	5.314-119.0	Pin	2.000	ST



## 44 Jet pipe

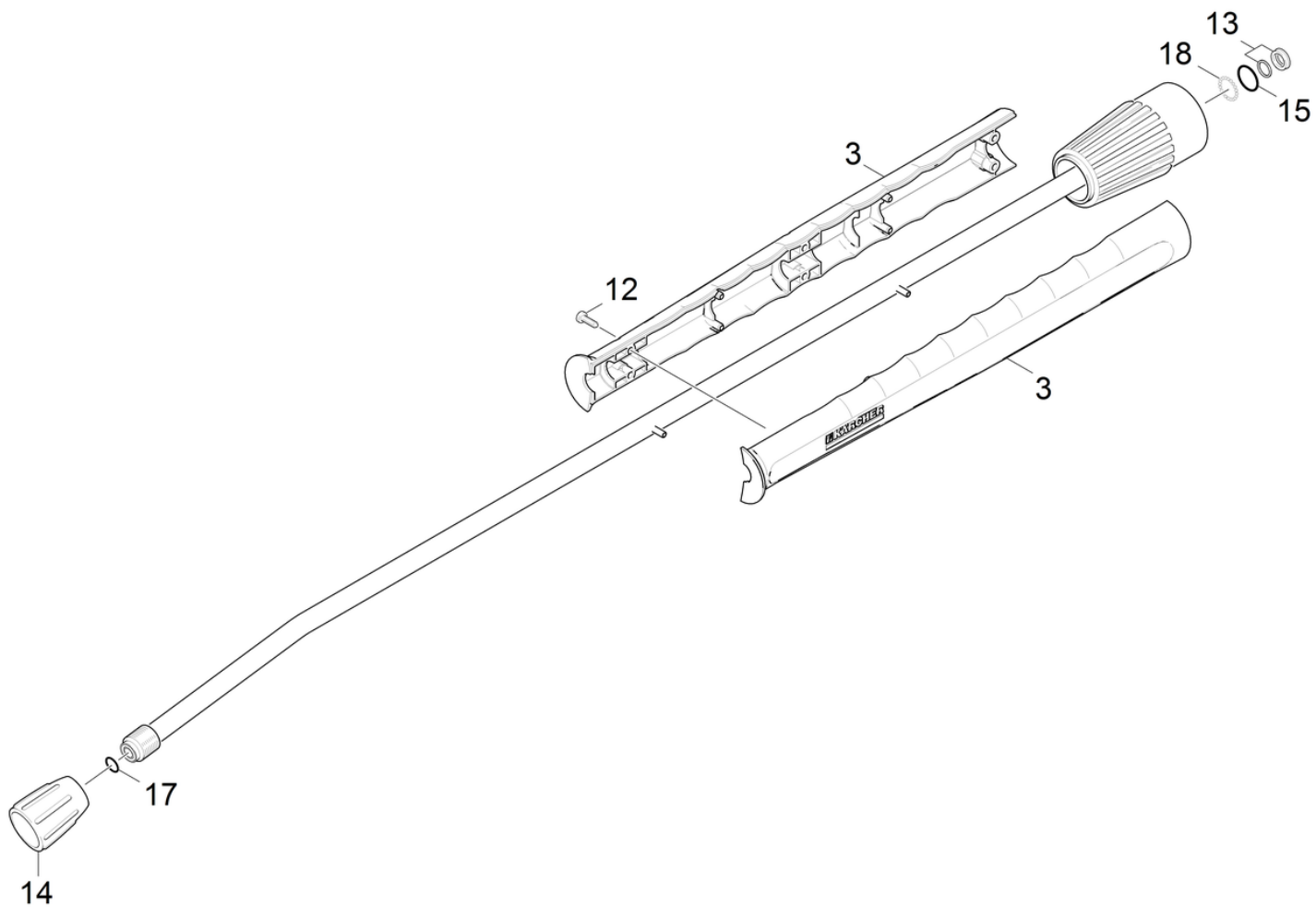
---

<b>POS</b>	<b>Article no.</b>	<b>Description</b>	<b>Quantity</b>	<b>Unit</b>
4	4.760-665.0	Jet pipe packaged only for replacement	1.000	ST
3	2.880-990.0	Spare part set O-Ring 5x -Kaercher	1.000	ST



## 45 Jet pipe

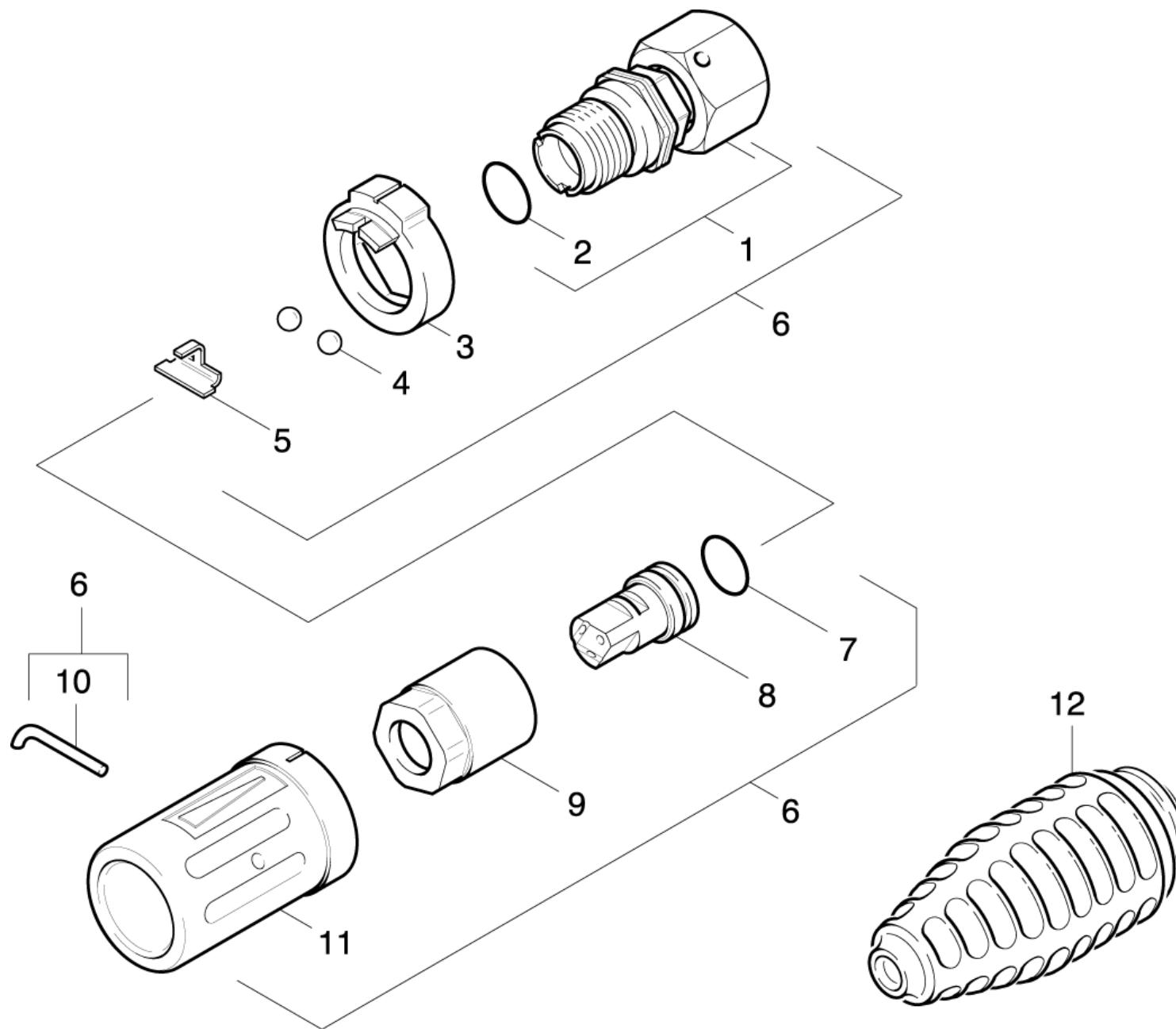
POS	Article no.	Description	Quantity	Unit	Remark
6	4.363-692.0	Grooved ring kpl. -nur fuer Ersatz-	1.000	ST	
3	5.321-691.0	Handhold few jet pipe	1.000	ST	VERSION 1
3	5.321-855.0	Handhold few jet pipe with welding bolt	1.000	ST	VERSION 2
1	4.760-663.0	Jet pipe packaged only for replacement	1.000	ST	
7	6.362-524.0	O-Ring seal 17,0 X 1,5	1.000	ST	
2	7.303-129.0	Screw 4x16 -10.9-R2R (K-In6Rd)	6.000	ST	
4	2.880-990.0	Spare part set O-Ring 5x -Kaercher	1.000	ST	
5	7.401-915.0	Sphere 2,5 G20 -1.4034 DIN 5401	20.000	ST	



1 Jet pipe packaged only for replacement (4.760-663.0)

---

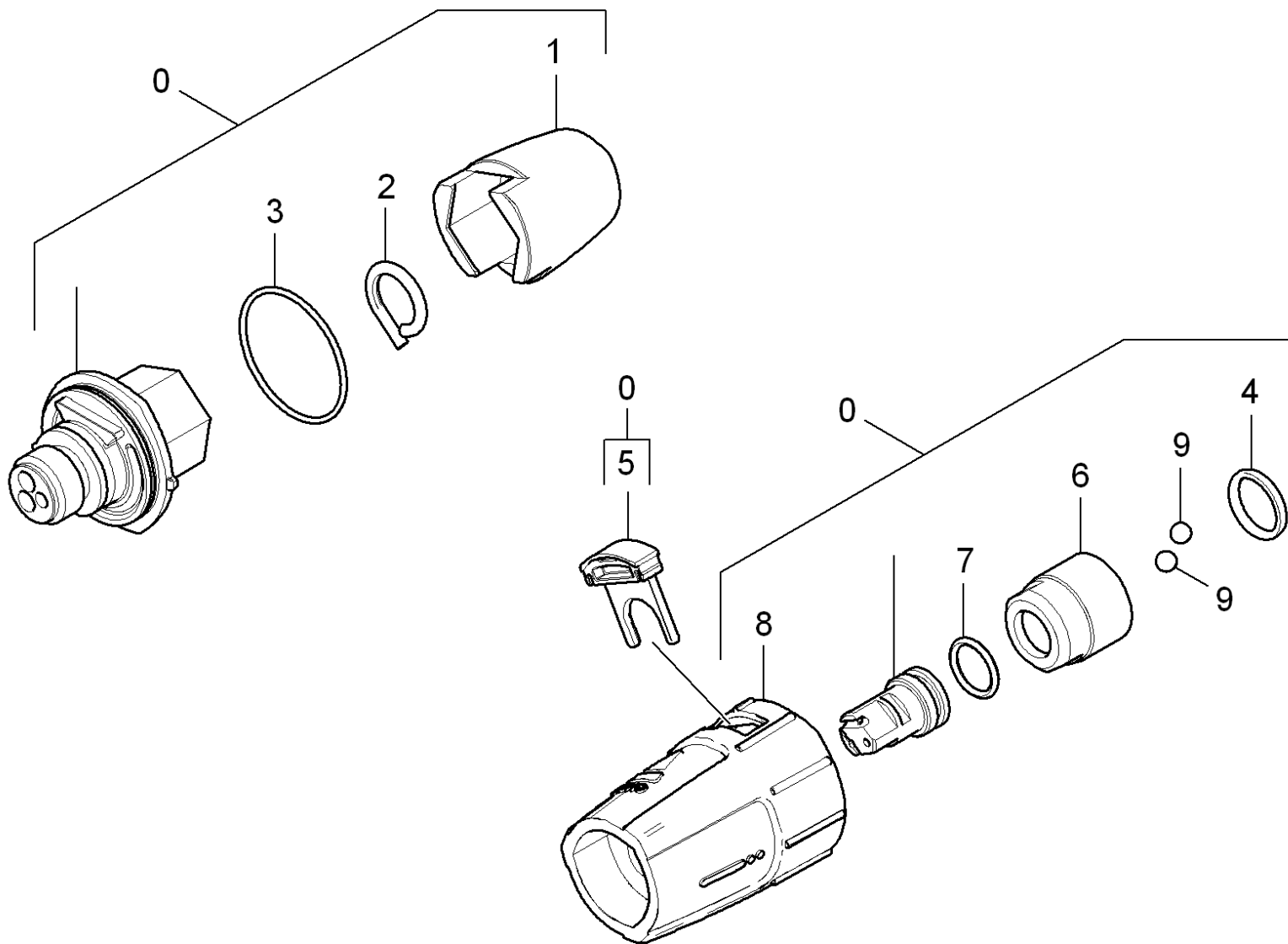
<b>POS</b>	<b>Article no.</b>	<b>Description</b>	<b>Quantity</b>	<b>Unit</b>
13	4.363-692.0	Grooved ring kpl. -nur fuer Ersatz-	1.000	ST
3	5.321-855.0	Handhold few jet pipe with welding bolt	1.000	ST
17	7.362-501.0	O-Ring seal 10x2 EPDM 70 DIN 3770	1.000	ST
15	6.362-524.0	O-Ring seal 17,0 X 1,5	1.000	ST
12	7.303-129.0	Screw 4x16 -10.9-R2R (K-In6Rd)	6.000	ST
14	5.401-210.0	Screw connector part	1.000	ST
18	7.401-915.0	Sphere 2,5 G20 -1.4034 DIN 5401	20.000	ST





## 46 Nozzle

POS	Article no.	Description	Quantity	Unit
12	4.767-022.0	Dirt blaster 035	1.000	ST
	<b>Item text1:</b> / 1.514-114.0 /-125.0			
12	4.767-023.0	Dirt blaster 040	1.000	ST
	<b>Item text1:</b> / 1.514-551.0 / -552.0 / -553.0 / -554.0			
	<b>Item text2:</b> / -651.0 /-652.0			
9	5.311-117.0	Hexagon nut	1.000	ST
5	5.042-405.0	Holder	1.000	ST
10	5.037-059.0	Hook	1.000	ST
3	5.030-528.0	Moulded part	1.000	ST
7	6.362-480.0	O-Ring seal 12,42x 1,78	1.000	ST
2	6.362-460.0	O-Ring seal 14,0 X 2,5-NBR 70	1.000	ST
11	5.394-269.0	Protection part	1.000	ST
1	4.402-042.0	Screw union	1.000	ST
4	7.401-902.0	Sphere 5 G20 -1.4034 DIN 5401	2.000	ST
6	7.777-999.0	Stockpiling discontinued	1.000	ST
8	7.777-999.0	Stockpiling discontinued	1.000	ST
	<b>Item text1:</b> 1.514-551.0 /-554.0			
8	7.777-999.0	Stockpiling discontinued	1.000	ST
	<b>Item text1:</b> / 1.514-114.0 /-502.0 /-552.0 / -553.0 / -601.0 / -651.0 / -651.0			
8	5.415-620.0	Triple jet nozzle 032	1.000	ST
	<b>Item text1:</b> 1.514-125.0 /-128.0			
8	5.415-600.0	Triple jet nozzle 034	1.000	ST
	<b>Item text1:</b> / 1.514-501.0			
8	5.415-602.0	Triple jet nozzle 038	1.000	ST
	<b>Item text1:</b> 1.514-553.0			



## 47 Nozzle

POS	Article no.	Description	Quantity	Unit	Remark
5	5.321-884.0	Clamp	1.000	ST	
6	5.311-225.0	Nut	1.000	ST	
7	6.362-480.0	O-Ring seal 12,42x 1,78	1.000	ST	
4	6.362-460.0	O-Ring seal 14,0 X 2,5-NBR 70	1.000	ST	
3	6.362-409.0	O-Ring seal 32,0 X 1,5	1.000	ST	
2	6.343-150.0	Pin 03	1.000	ST	
8	5.394-859.0	Protection part	1.000	ST	
1	5.394-530.0	Protection part complete	1.000	ST	
9	7.401-902.0	Sphere 5 G20 -1.4034 DIN 5401	2.000	ST	
0	4.767-195.0	Triple jet nozzle only for replacement 0	1.000	ST	
	<b>Item text1:</b> 1.514-125.0 /-128.0				
0	4.767-146.0	Triple jet nozzle replacement 033	1.000	ST	033
	<b>Item text1:</b> 1.514-114.0 /-502.0 /				
0	4.767-147.0	Triple jet nozzle replacement 034	1.000	ST	034
	<b>Item text1:</b> 1.514-501.0				
0	4.767-148.0	Triple jet nozzle replacement 036	1.000	ST	036
	<b>Item text1:</b> 1.514-551.0 /-554.0 /-601.0				
0	4.767-149.0	Triple jet nozzle replacement 038	1.000	ST	038
	<b>Item text1:</b> 1.514-552.0 /-553.0 /-651.0 /-652.0				

Triple jet nozzle replacement 033 (4.767-146.0)

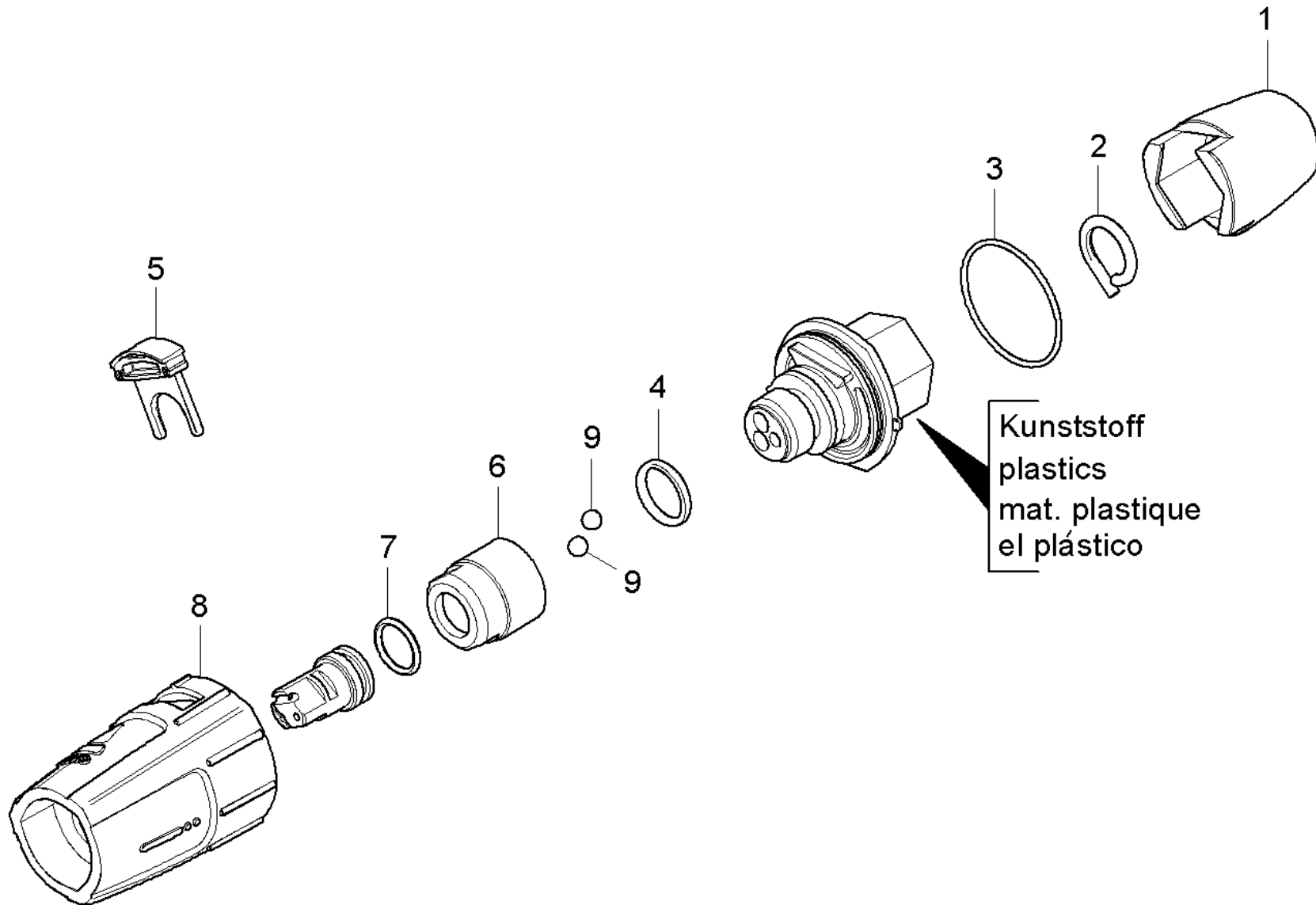
---

POS	Article no.	Description	Quantity	Unit
2	5.970-837.0	Spare parts list triple jet nozzle	1.000	ST

2 Spare parts list triple jet nozzle (5.970-837.0)

---

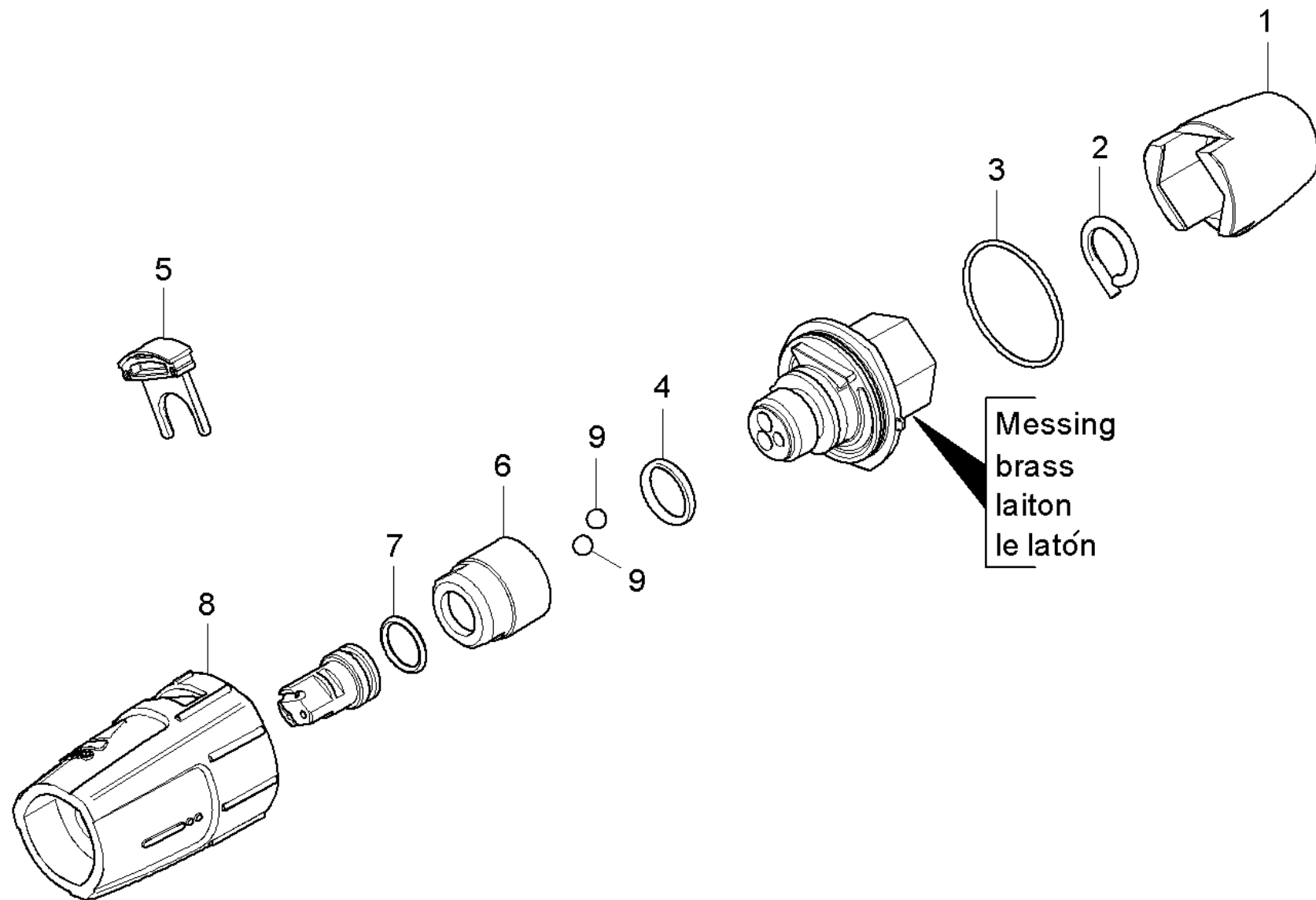
<b>POS</b>	<b>Description</b>	<b>Quantity</b>	<b>Unit</b>
20	Triple jet nozzle brass	1.000	ST
10	Triple jet nozzle plastics	1.000	ST



## 10 Triple jet nozzle plastics

---

<b>POS</b>	<b>Article no.</b>	<b>Description</b>	<b>Quantity</b>	<b>Unit</b>
5	5.321-884.0	Clamp	1.000	ST
6	5.311-236.0	Nut	1.000	ST
7	6.362-480.0	O-Ring seal 12,42x 1,78	1.000	ST
4	7.362-039.0	O-Ring seal 15,5x1,5 -NBR70 DIN 3771	1.000	ST
3	6.362-409.0	O-Ring seal 32,0 X 1,5	1.000	ST
2	6.343-150.0	Pin 03	1.000	ST
8	5.394-874.0	Protection part	1.000	ST
1	5.394-530.0	Protection part complete	1.000	ST
9	7.401-902.0	Sphere 5 G20 -1.4034 DIN 5401	2.000	ST





## 20 Triple jet nozzle brass

---

<b>POS</b>	<b>Article no.</b>	<b>Description</b>	<b>Quantity</b>	<b>Unit</b>
5	5.321-884.0	Clamp	1.000	ST
6	5.311-225.0	Nut	1.000	ST
7	6.362-480.0	O-Ring seal 12,42x 1,78	1.000	ST
4	6.362-460.0	O-Ring seal 14,0 X 2,5-NBR 70	1.000	ST
3	6.362-409.0	O-Ring seal 32,0 X 1,5	1.000	ST
2	6.343-150.0	Pin 03	1.000	ST
8	5.394-859.0	Protection part	1.000	ST
1	5.394-530.0	Protection part complete	1.000	ST
9	7.401-902.0	Sphere 5 G20 -1.4034 DIN 5401	2.000	ST

Triple jet nozzle replacement 034 (4.767-147.0)

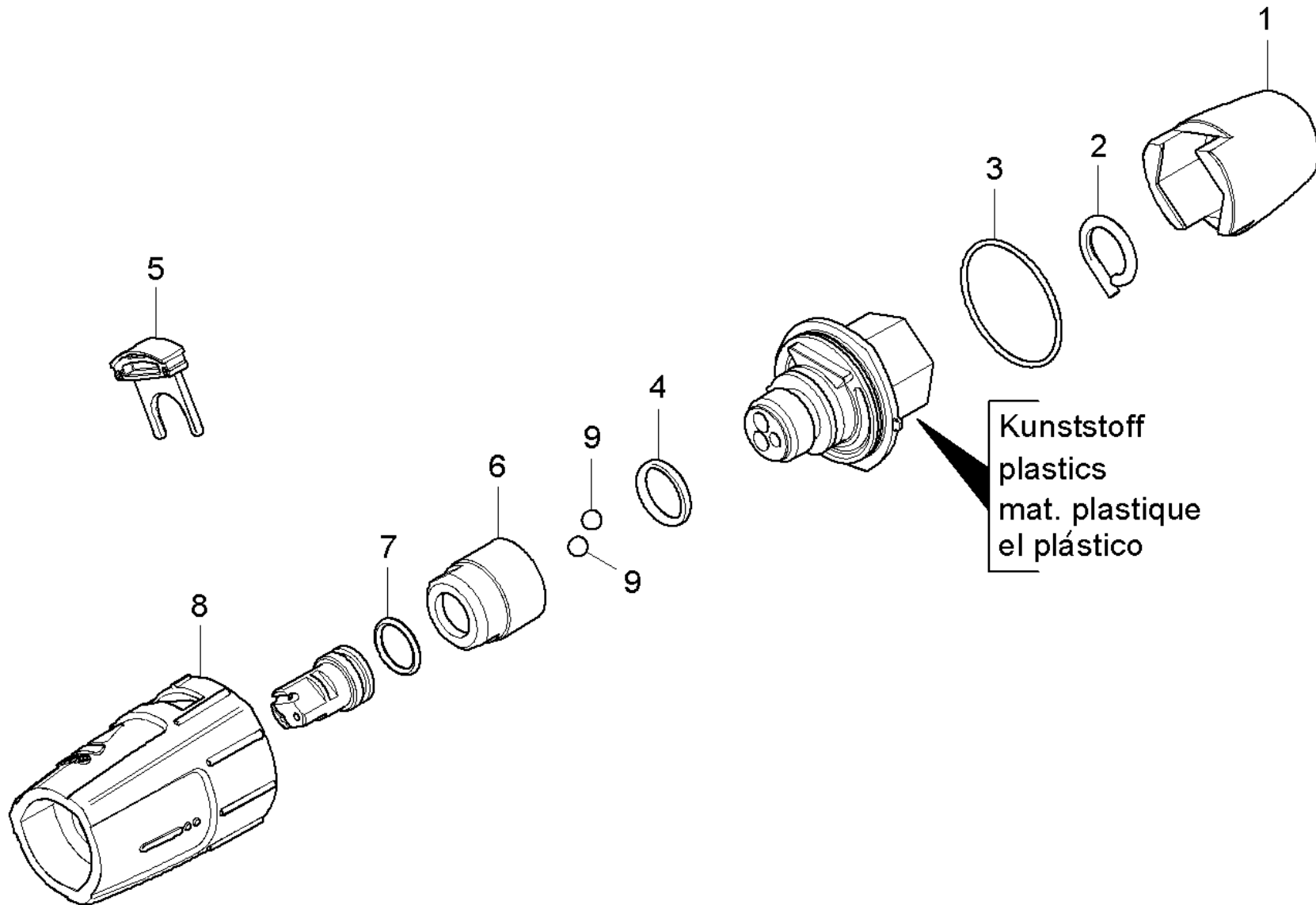
---

POS	Article no.	Description	Quantity	Unit
2	5.970-837.0	Spare parts list triple jet nozzle	1.000	ST

2 Spare parts list triple jet nozzle (5.970-837.0)

---

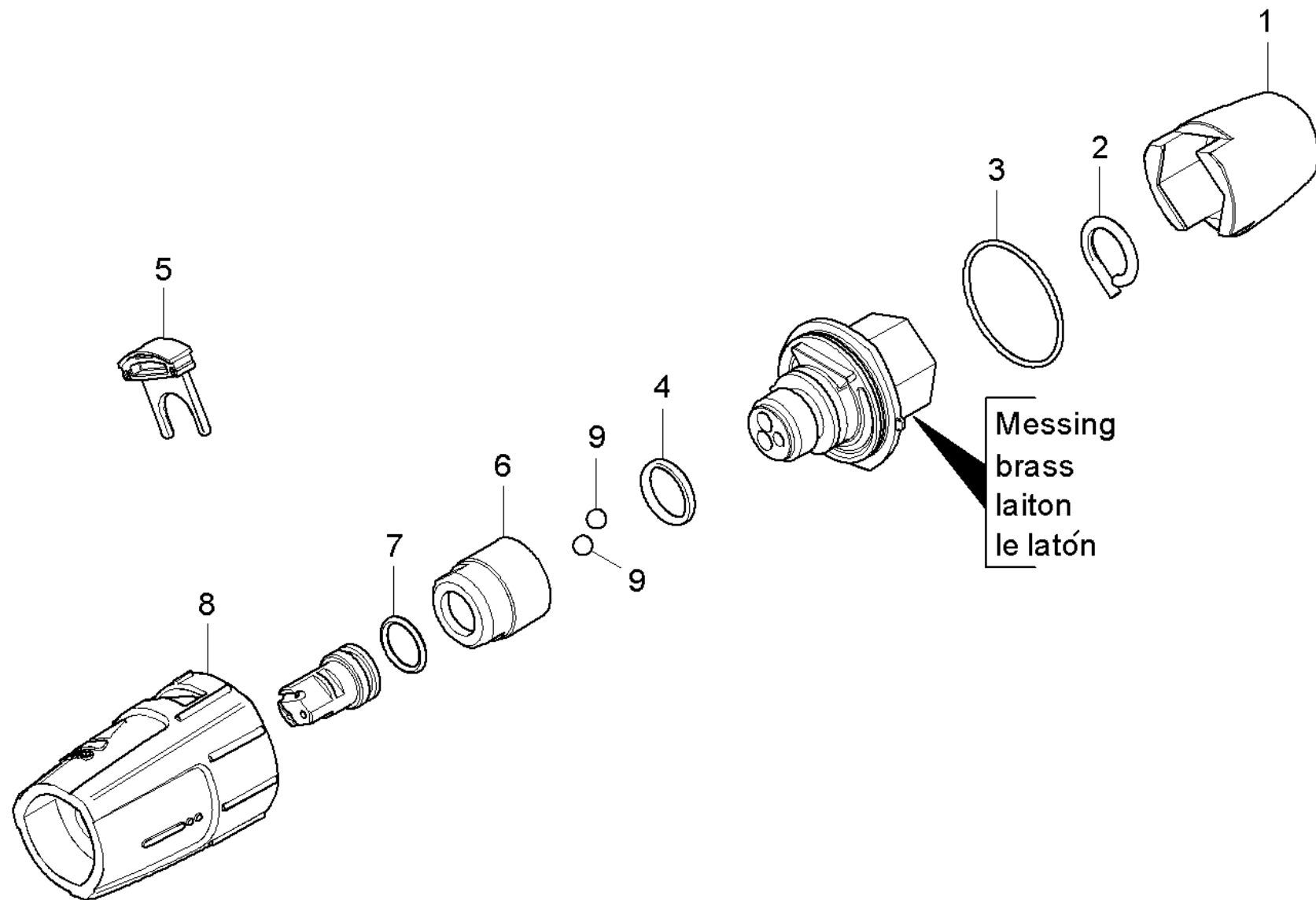
<b>POS</b>	<b>Description</b>	<b>Quantity</b>	<b>Unit</b>
20	Triple jet nozzle brass	1.000	ST
10	Triple jet nozzle plastics	1.000	ST



## 10 Triple jet nozzle plastics

---

<b>POS</b>	<b>Article no.</b>	<b>Description</b>	<b>Quantity</b>	<b>Unit</b>
5	5.321-884.0	Clamp	1.000	ST
6	5.311-236.0	Nut	1.000	ST
7	6.362-480.0	O-Ring seal 12,42x 1,78	1.000	ST
4	7.362-039.0	O-Ring seal 15,5x1,5 -NBR70 DIN 3771	1.000	ST
3	6.362-409.0	O-Ring seal 32,0 X 1,5	1.000	ST
2	6.343-150.0	Pin 03	1.000	ST
8	5.394-874.0	Protection part	1.000	ST
1	5.394-530.0	Protection part complete	1.000	ST
9	7.401-902.0	Sphere 5 G20 -1.4034 DIN 5401	2.000	ST



## 20 Triple jet nozzle brass

---

<b>POS</b>	<b>Article no.</b>	<b>Description</b>	<b>Quantity</b>	<b>Unit</b>
5	5.321-884.0	Clamp	1.000	ST
6	5.311-225.0	Nut	1.000	ST
7	6.362-480.0	O-Ring seal 12,42x 1,78	1.000	ST
4	6.362-460.0	O-Ring seal 14,0 X 2,5-NBR 70	1.000	ST
3	6.362-409.0	O-Ring seal 32,0 X 1,5	1.000	ST
2	6.343-150.0	Pin 03	1.000	ST
8	5.394-859.0	Protection part	1.000	ST
1	5.394-530.0	Protection part complete	1.000	ST
9	7.401-902.0	Sphere 5 G20 -1.4034 DIN 5401	2.000	ST

Triple jet nozzle replacement 036 (4.767-148.0)

---

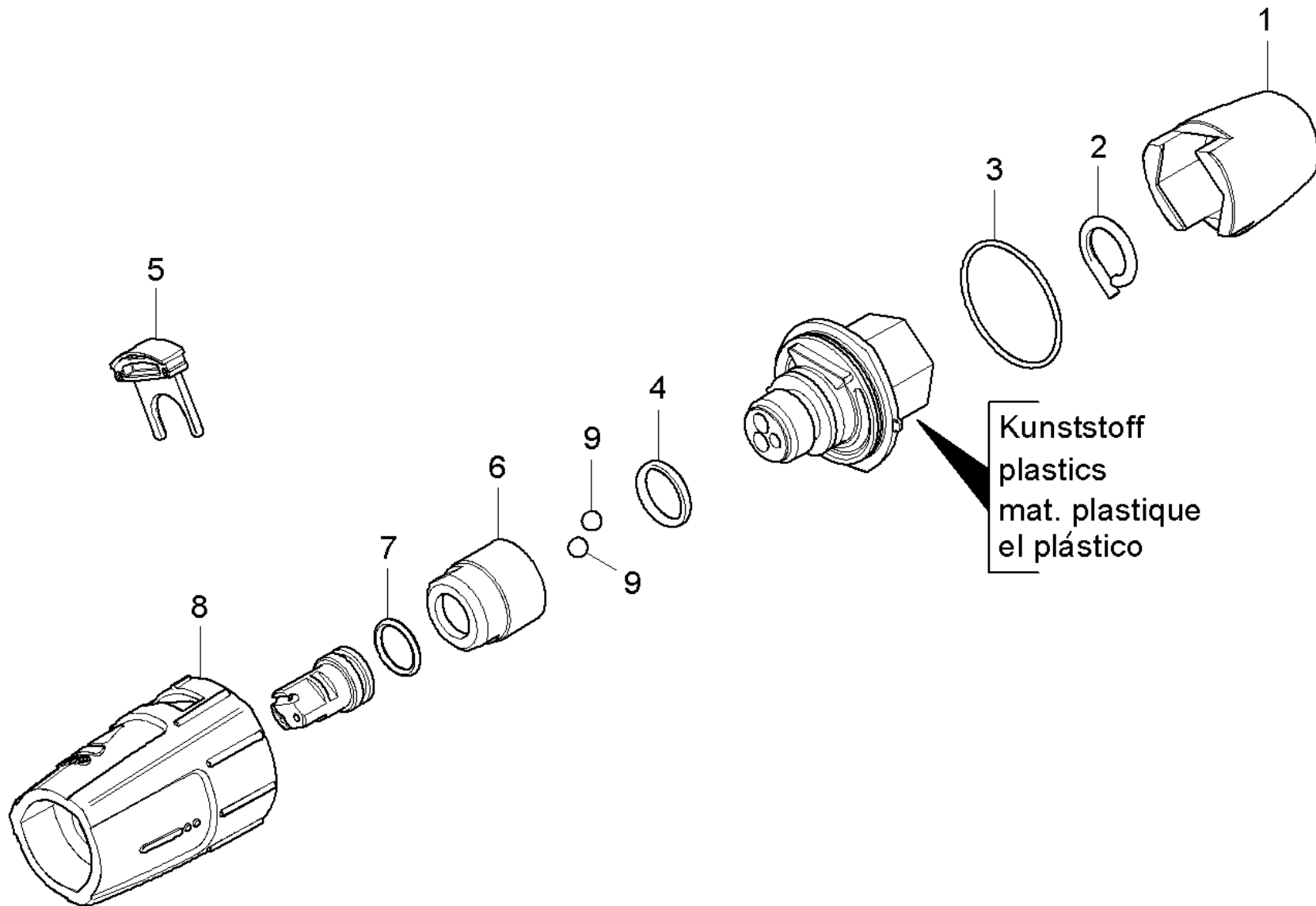
POS	Article no.	Description	Quantity	Unit
2	5.970-837.0	Spare parts list triple jet nozzle	1.000	ST



2 Spare parts list triple jet nozzle (5.970-837.0)

---

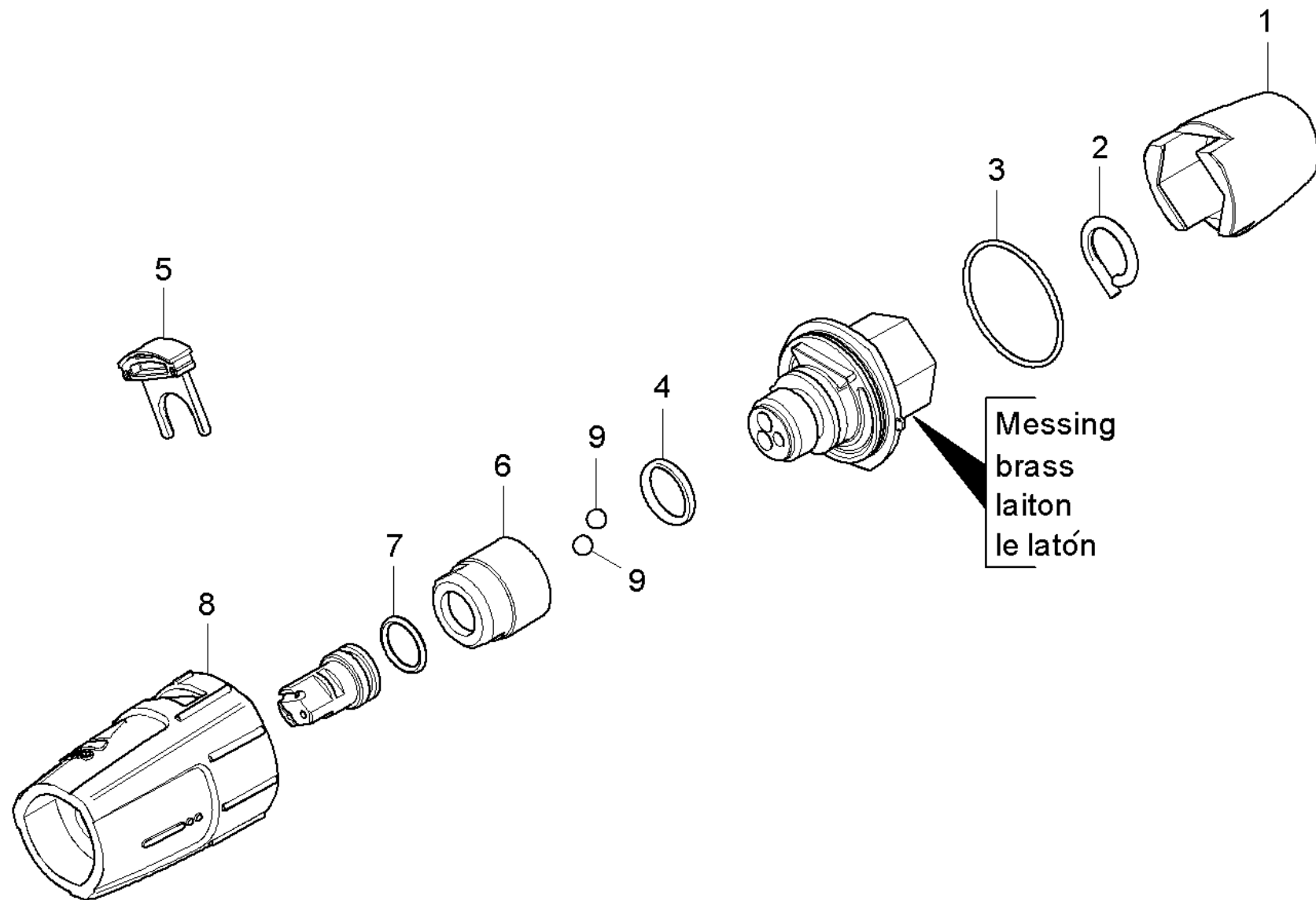
<b>POS</b>	<b>Description</b>	<b>Quantity</b>	<b>Unit</b>
20	Triple jet nozzle brass	1.000	ST
10	Triple jet nozzle plastics	1.000	ST



## 10 Triple jet nozzle plastics

---

<b>POS</b>	<b>Article no.</b>	<b>Description</b>	<b>Quantity</b>	<b>Unit</b>
5	5.321-884.0	Clamp	1.000	ST
6	5.311-236.0	Nut	1.000	ST
7	6.362-480.0	O-Ring seal 12,42x 1,78	1.000	ST
4	7.362-039.0	O-Ring seal 15,5x1,5 -NBR70 DIN 3771	1.000	ST
3	6.362-409.0	O-Ring seal 32,0 X 1,5	1.000	ST
2	6.343-150.0	Pin 03	1.000	ST
8	5.394-874.0	Protection part	1.000	ST
1	5.394-530.0	Protection part complete	1.000	ST
9	7.401-902.0	Sphere 5 G20 -1.4034 DIN 5401	2.000	ST



## 20 Triple jet nozzle brass

---

<b>POS</b>	<b>Article no.</b>	<b>Description</b>	<b>Quantity</b>	<b>Unit</b>
5	5.321-884.0	Clamp	1.000	ST
6	5.311-225.0	Nut	1.000	ST
7	6.362-480.0	O-Ring seal 12,42x 1,78	1.000	ST
4	6.362-460.0	O-Ring seal 14,0 X 2,5-NBR 70	1.000	ST
3	6.362-409.0	O-Ring seal 32,0 X 1,5	1.000	ST
2	6.343-150.0	Pin 03	1.000	ST
8	5.394-859.0	Protection part	1.000	ST
1	5.394-530.0	Protection part complete	1.000	ST
9	7.401-902.0	Sphere 5 G20 -1.4034 DIN 5401	2.000	ST

Triple jet nozzle replacement 038 (4.767-149.0)

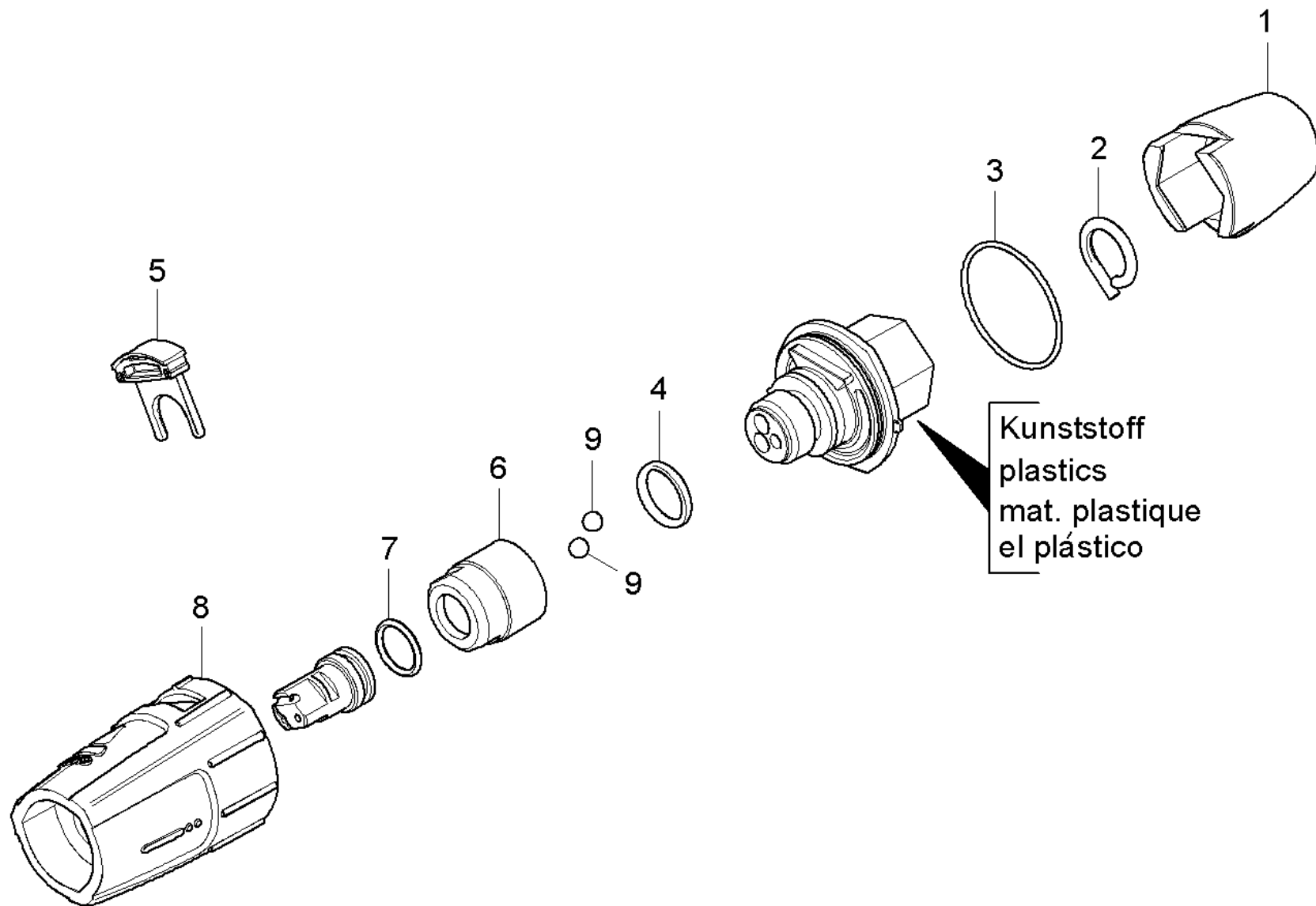
---

<b>POS</b>	<b>Article no.</b>	<b>Description</b>	<b>Quantity</b>	<b>Unit</b>
2	5.970-837.0	Spare parts list triple jet nozzle	1.000	ST

2 Spare parts list triple jet nozzle (5.970-837.0)

---

<b>POS</b>	<b>Description</b>	<b>Quantity</b>	<b>Unit</b>
20	Triple jet nozzle brass	1.000	ST
10	Triple jet nozzle plastics	1.000	ST

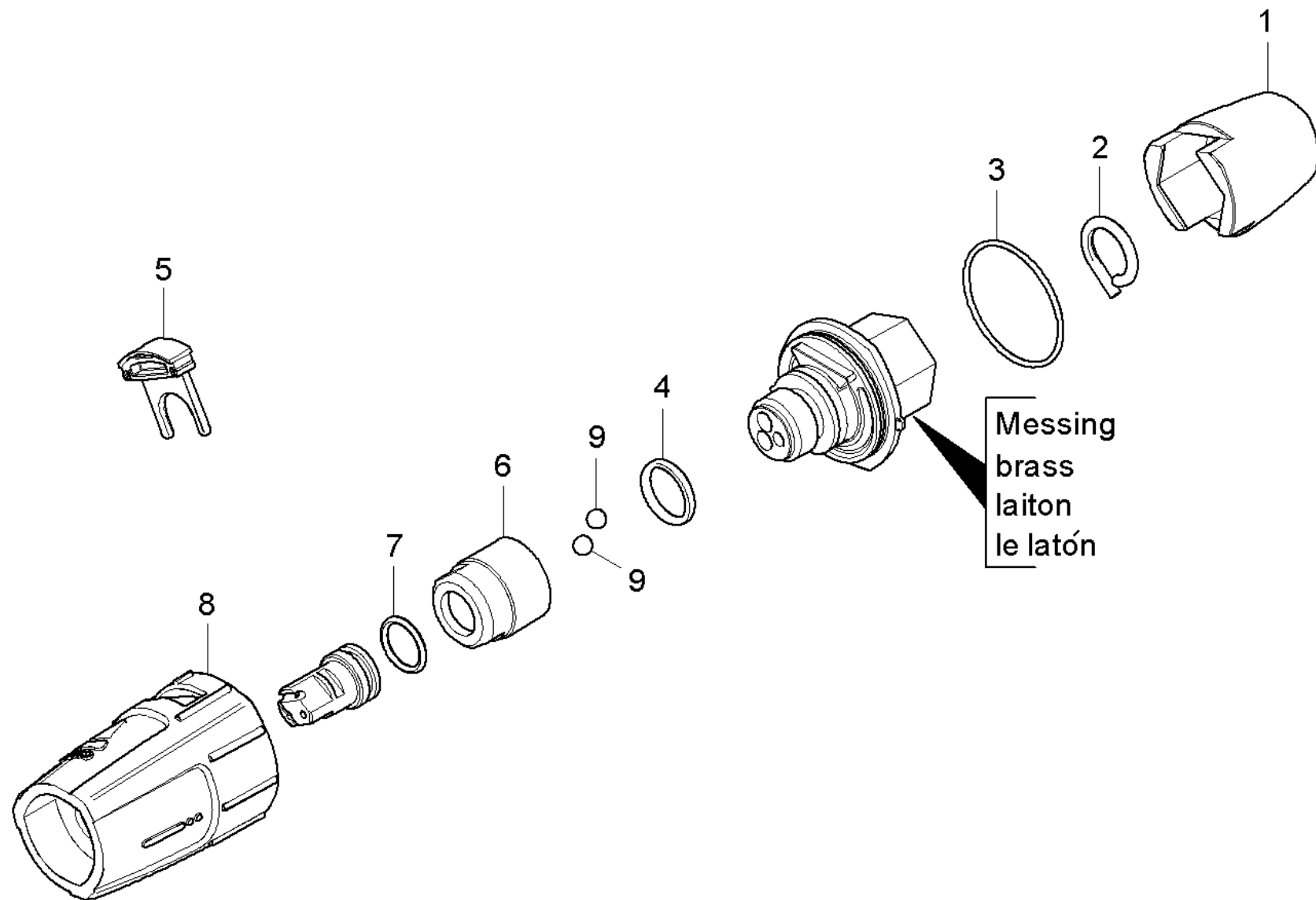




## 10 Triple jet nozzle plastics

---

<b>POS</b>	<b>Article no.</b>	<b>Description</b>	<b>Quantity</b>	<b>Unit</b>
5	5.321-884.0	Clamp	1.000	ST
6	5.311-236.0	Nut	1.000	ST
7	6.362-480.0	O-Ring seal 12,42x 1,78	1.000	ST
4	7.362-039.0	O-Ring seal 15,5x1,5 -NBR70 DIN 3771	1.000	ST
3	6.362-409.0	O-Ring seal 32,0 X 1,5	1.000	ST
2	6.343-150.0	Pin 03	1.000	ST
8	5.394-874.0	Protection part	1.000	ST
1	5.394-530.0	Protection part complete	1.000	ST
9	7.401-902.0	Sphere 5 G20 -1.4034 DIN 5401	2.000	ST



## 20 Triple jet nozzle brass

---

<b>POS</b>	<b>Article no.</b>	<b>Description</b>	<b>Quantity</b>	<b>Unit</b>
5	5.321-884.0	Clamp	1.000	ST
6	5.311-225.0	Nut	1.000	ST
7	6.362-480.0	O-Ring seal 12,42x 1,78	1.000	ST
4	6.362-460.0	O-Ring seal 14,0 X 2,5-NBR 70	1.000	ST
3	6.362-409.0	O-Ring seal 32,0 X 1,5	1.000	ST
2	6.343-150.0	Pin 03	1.000	ST
8	5.394-859.0	Protection part	1.000	ST
1	5.394-530.0	Protection part complete	1.000	ST
9	7.401-902.0	Sphere 5 G20 -1.4034 DIN 5401	2.000	ST

Triple jet nozzle only for replacement 0 (4.767-195.0)

---

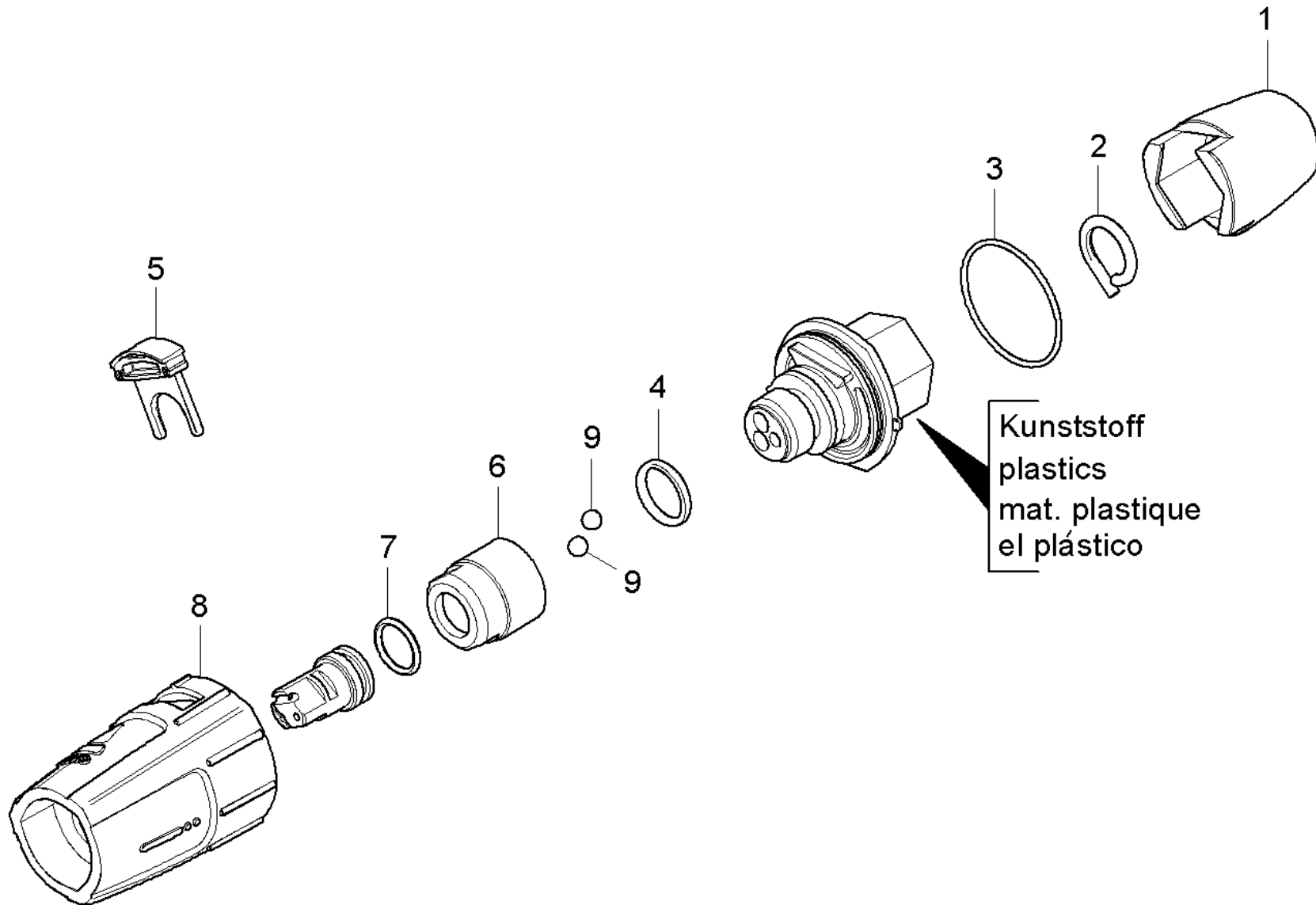
<b>POS</b>	<b>Article no.</b>	<b>Description</b>	<b>Quantity</b>	<b>Unit</b>
2	5.970-837.0	Spare parts list triple jet nozzle	1.000	ST

---

2 Spare parts list triple jet nozzle (5.970-837.0)

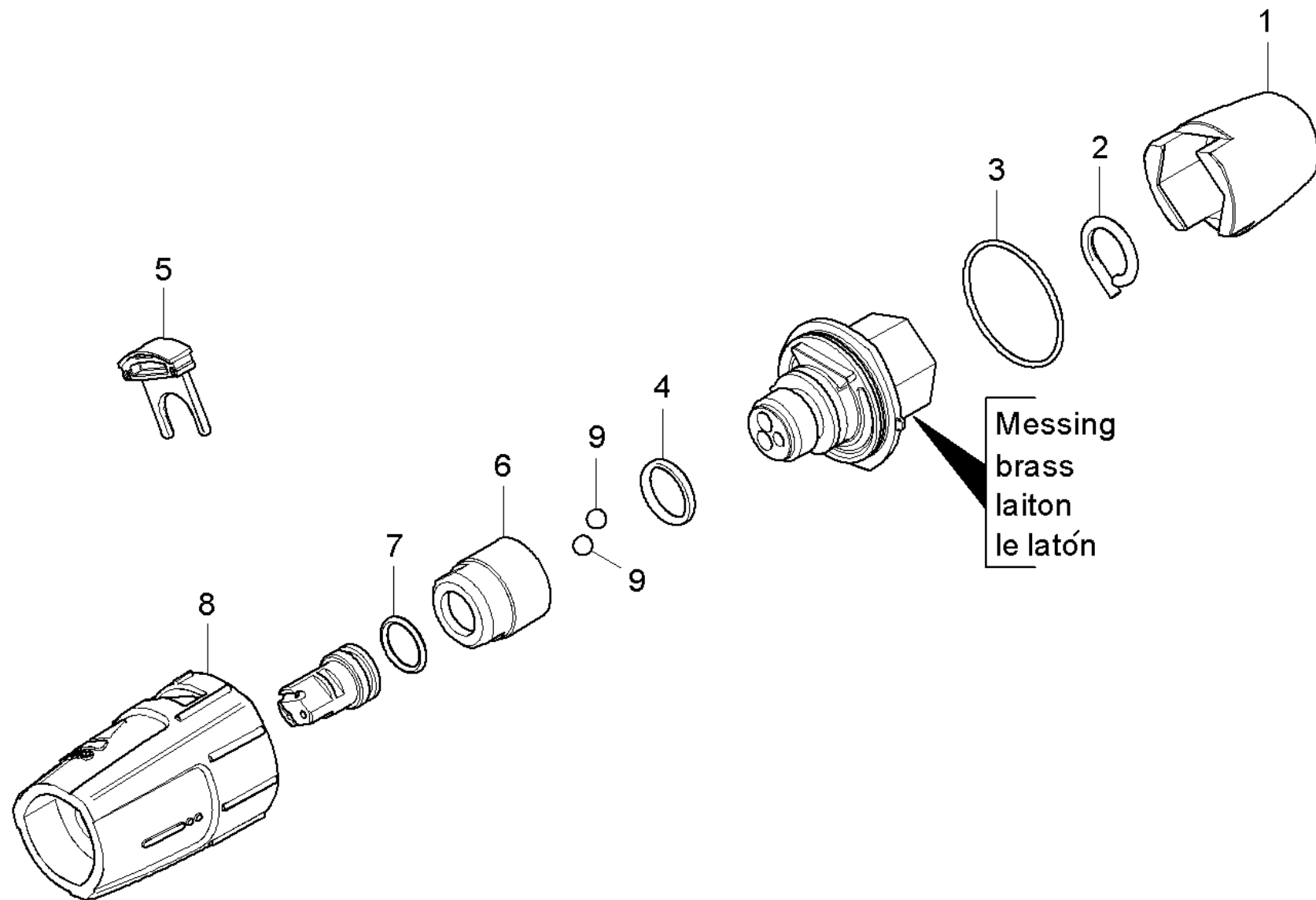
---

<b>POS</b>	<b>Description</b>	<b>Quantity</b>	<b>Unit</b>
20	Triple jet nozzle brass	1.000	ST
10	Triple jet nozzle plastics	1.000	ST



## 10 Triple jet nozzle plastics

POS	Article no.	Description	Quantity	Unit
5	5.321-884.0	Clamp	1.000	ST
6	5.311-236.0	Nut	1.000	ST
7	6.362-480.0	O-Ring seal 12,42x 1,78	1.000	ST
4	7.362-039.0	O-Ring seal 15,5x1,5 -NBR70 DIN 3771	1.000	ST
3	6.362-409.0	O-Ring seal 32,0 X 1,5	1.000	ST
2	6.343-150.0	Pin 03	1.000	ST
8	5.394-874.0	Protection part	1.000	ST
1	5.394-530.0	Protection part complete	1.000	ST
9	7.401-902.0	Sphere 5 G20 -1.4034 DIN 5401	2.000	ST

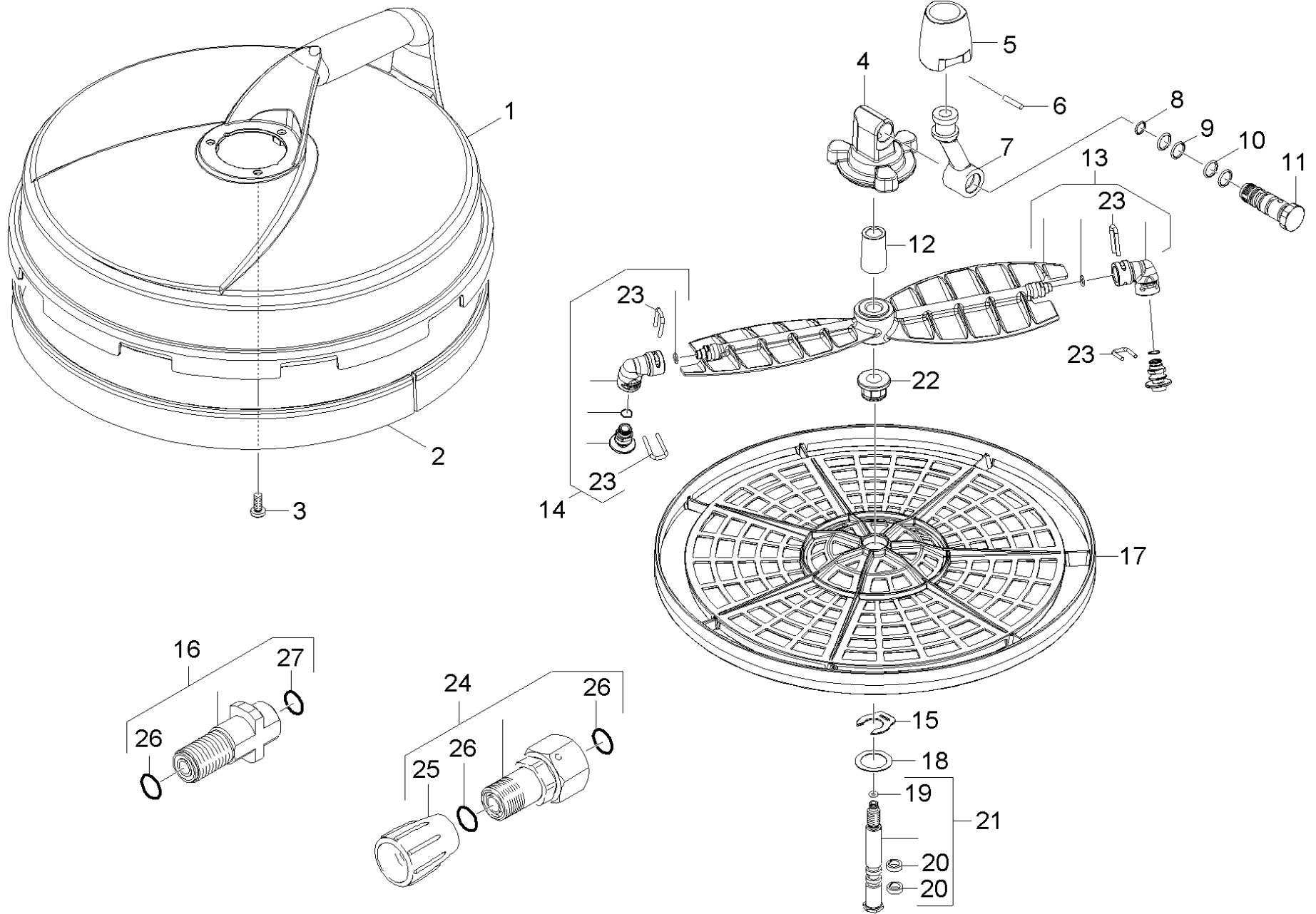




## 20 Triple jet nozzle brass

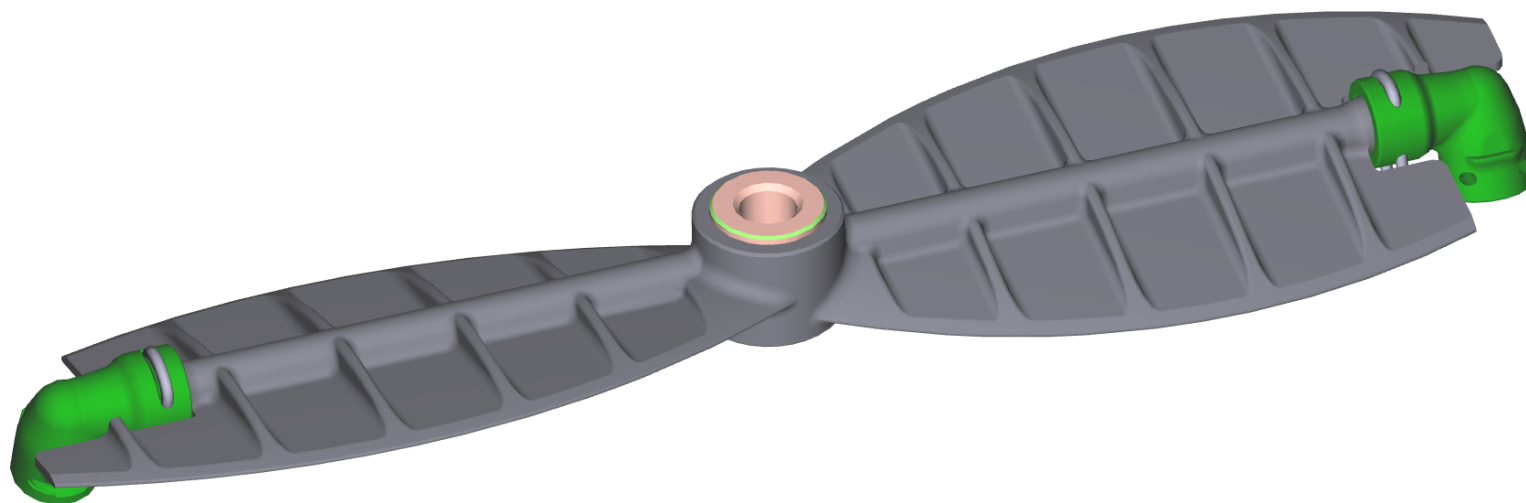
---

<b>POS</b>	<b>Article no.</b>	<b>Description</b>	<b>Quantity</b>	<b>Unit</b>
5	5.321-884.0	Clamp	1.000	ST
6	5.311-225.0	Nut	1.000	ST
7	6.362-480.0	O-Ring seal 12,42x 1,78	1.000	ST
4	6.362-460.0	O-Ring seal 14,0 X 2,5-NBR 70	1.000	ST
3	6.362-409.0	O-Ring seal 32,0 X 1,5	1.000	ST
2	6.343-150.0	Pin 03	1.000	ST
8	5.394-859.0	Protection part	1.000	ST
1	5.394-530.0	Protection part complete	1.000	ST
9	7.401-902.0	Sphere 5 G20 -1.4034 DIN 5401	2.000	ST



## 48 Surface cleaner

POS	Article no.	Description	Quantity	Unit	Remark	Foot note text
16	4.762-402.0	Adapter	1.000	ST		
11	5.100-569.0	Axle	1.000	ST		
4	5.481-451.0	Base body	1.000	ST		
2	6.371-051.0	Brush-corona FR 28	1.000	ST		
23	5.037-151.0	Clamp	4.000	ST		
1	4.066-376.0	Cover complete	1.000	ST		
17	5.394-873.0	Grate T 400 Plus	1.000	ST		
7	5.481-402.0	Hinge part	1.000	ST		
15	7.343-206.0	Lock washer 12-2.1030 DIN 6799	1.000	ST		
19	6.362-984.0	O-Ring d. 3 x 1,5 NBR 80	1.000	ST		
27	6.362-642.0	O-Ring d. 7,65x1,78 -NBR 80	1.000	ST		
8	6.363-111.0	O-Ring seal 7,0 X 1 -NBR 70	1.000	ST		
10	6.363-614.0	O-Ring seal 9 x 2 -NBR90	2.000	ST		
9	6.362-384.0	O-Ring seal 9x1,5 - NBR 70	2.000	ST		
6	6.343-150.0	Pin 03	1.000	ST		
5	5.394-530.0	Protection part complete	1.000	ST		
25	5.401-210.0	Screw connector part	1.000	ST		
3	7.306-181.0	Screw M 5x 12-A2-70 (In6Rd)	3.000	ST		
24	4.402-022.0	Screw union	1.000	ST		
20	5.363-412.0	Seal	2.000	ST		
18	7.343-079.0	Shim ring 17x24x0,5 -A2 DIN 988	1.000	ST		
22	5.035-439.0	Sleeve	1.000	ST		
12	5.901-225.0	Sleeve	1.000	ST		
21	2.885-298.0	Spare part set Lagerzapfen	1.000	ST		
14	2.885-312.0	Spare part set nozzles 020	1.000	ST	020	SET OF 2 PIECES
26	2.880-990.0	Spare part set O-Ring 5x -Kaercher	1.000	ST		
13	2.885-297.0	Spare part set Rotor FR Classic	1.000	ST		
14	2.885-313.0	Spare parts set power nozzle 15017	1.000	ST	017	SET OF 2 PIECES

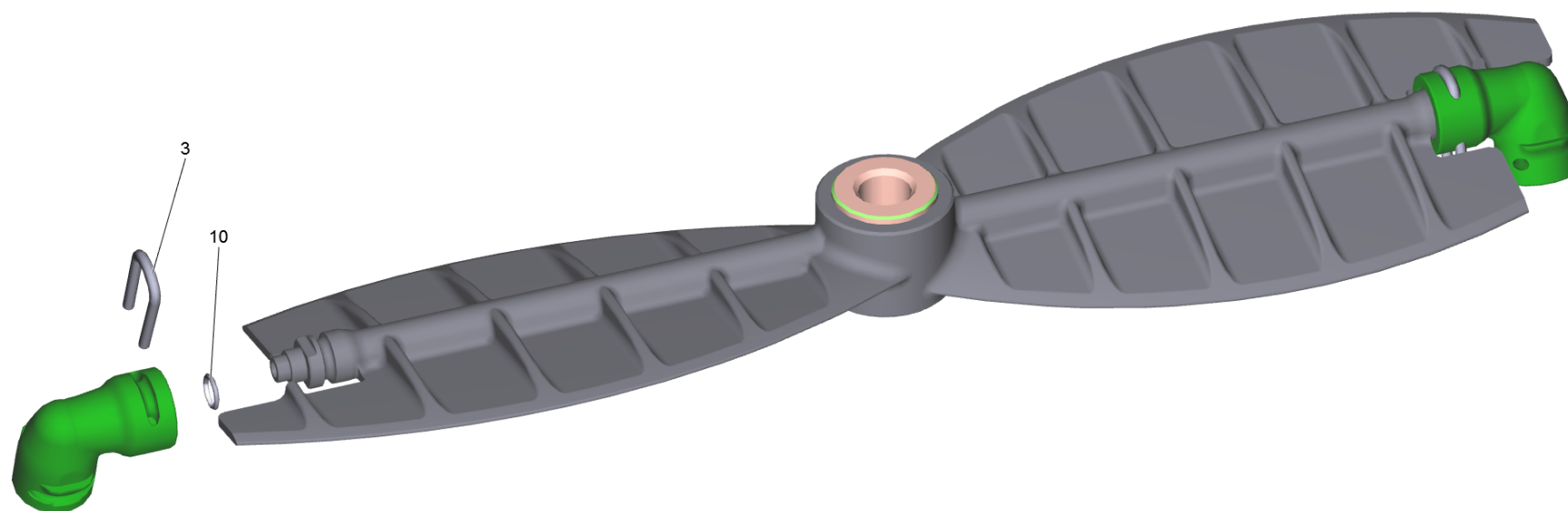


13 Spare part set Rotor FR Classic (2.885-297.0)

---

POS	Description	Quantity	Unit
10	Rotor complete T 400	1.000	ST

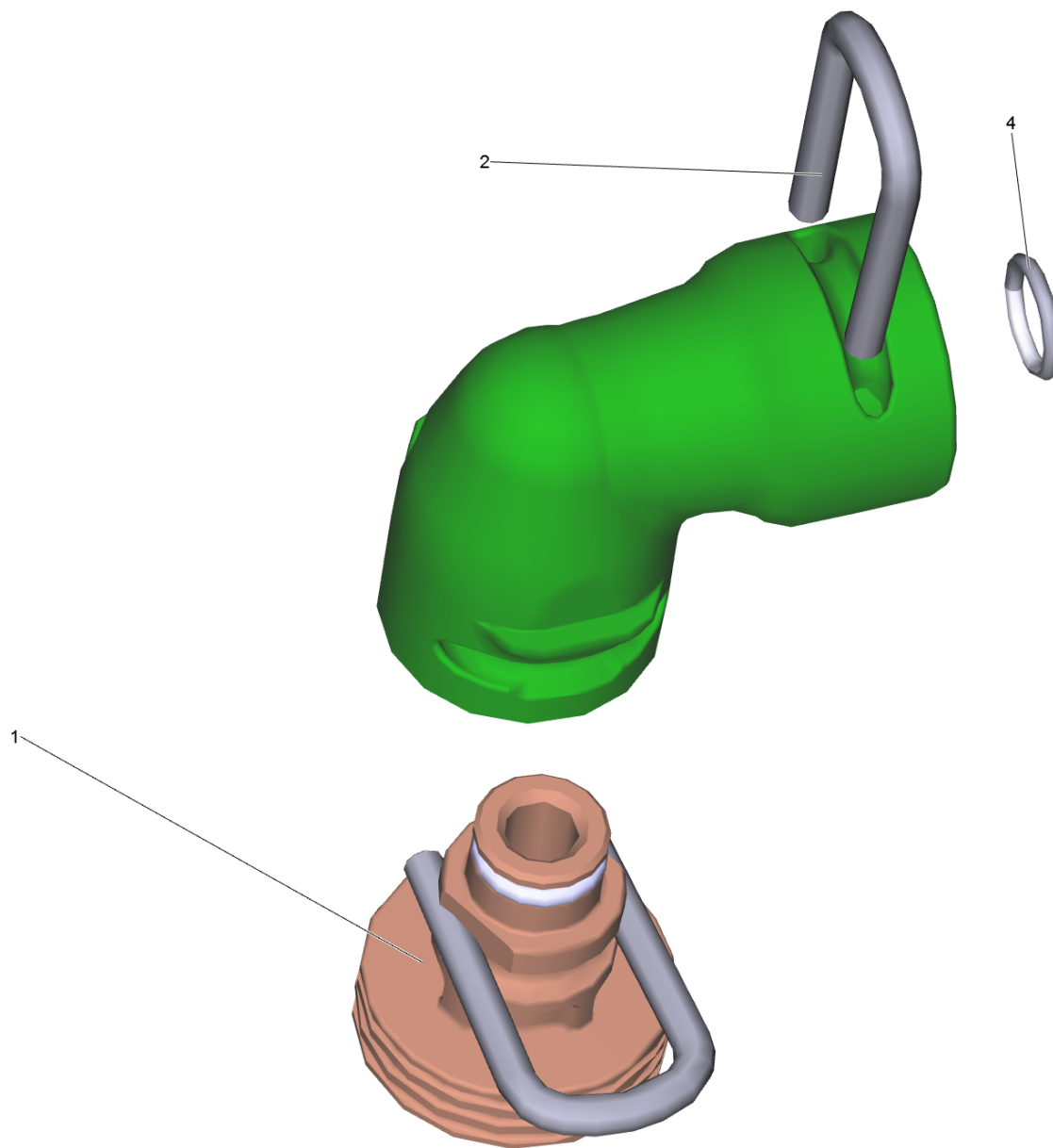
---



10 Rotor complete T 400

---

<b>POS</b>	<b>Article no.</b>	<b>Description</b>	<b>Quantity</b>	<b>Unit</b>
3	5.037-151.0	Clamp	1.000	ST
10	6.362-661.0	O-Ring seal 5,0 X 1,0-NBR 80	2.000	ST

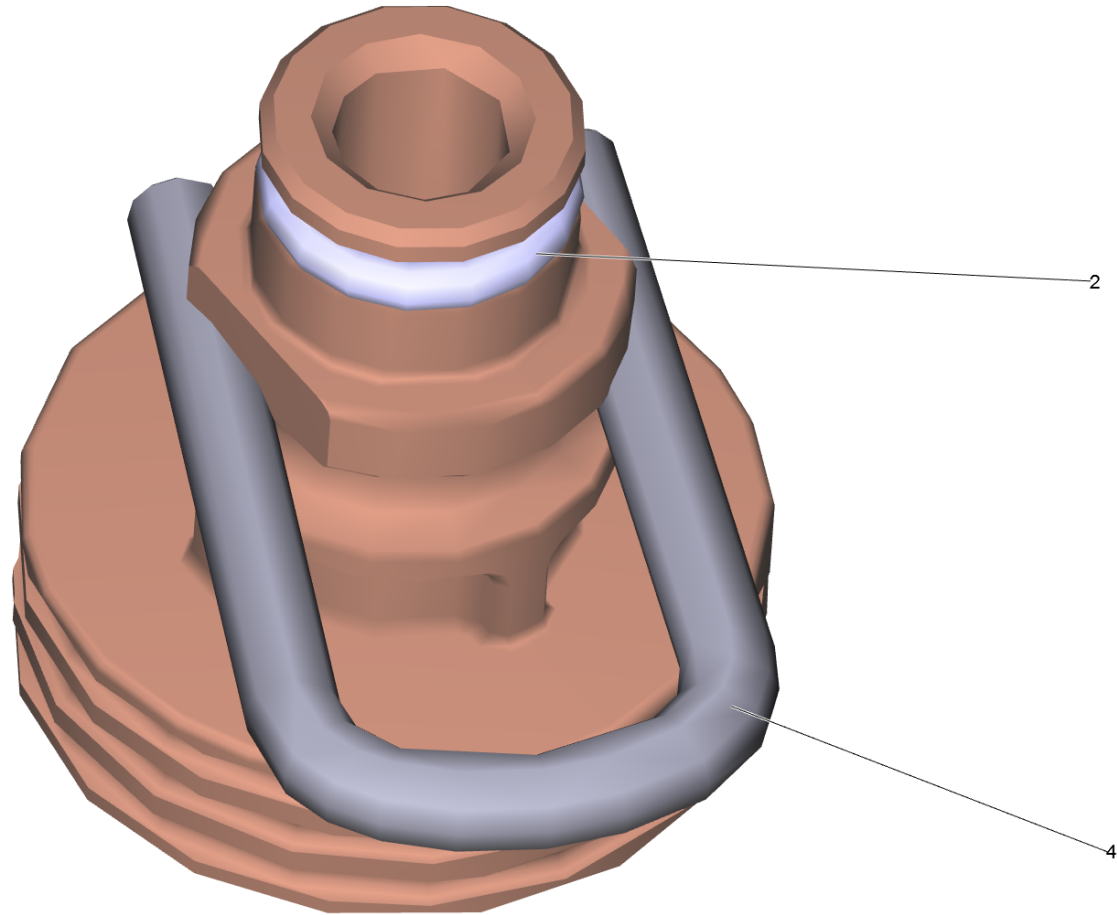




14 Spare part set nozzles 020 (2.885-312.0)

---

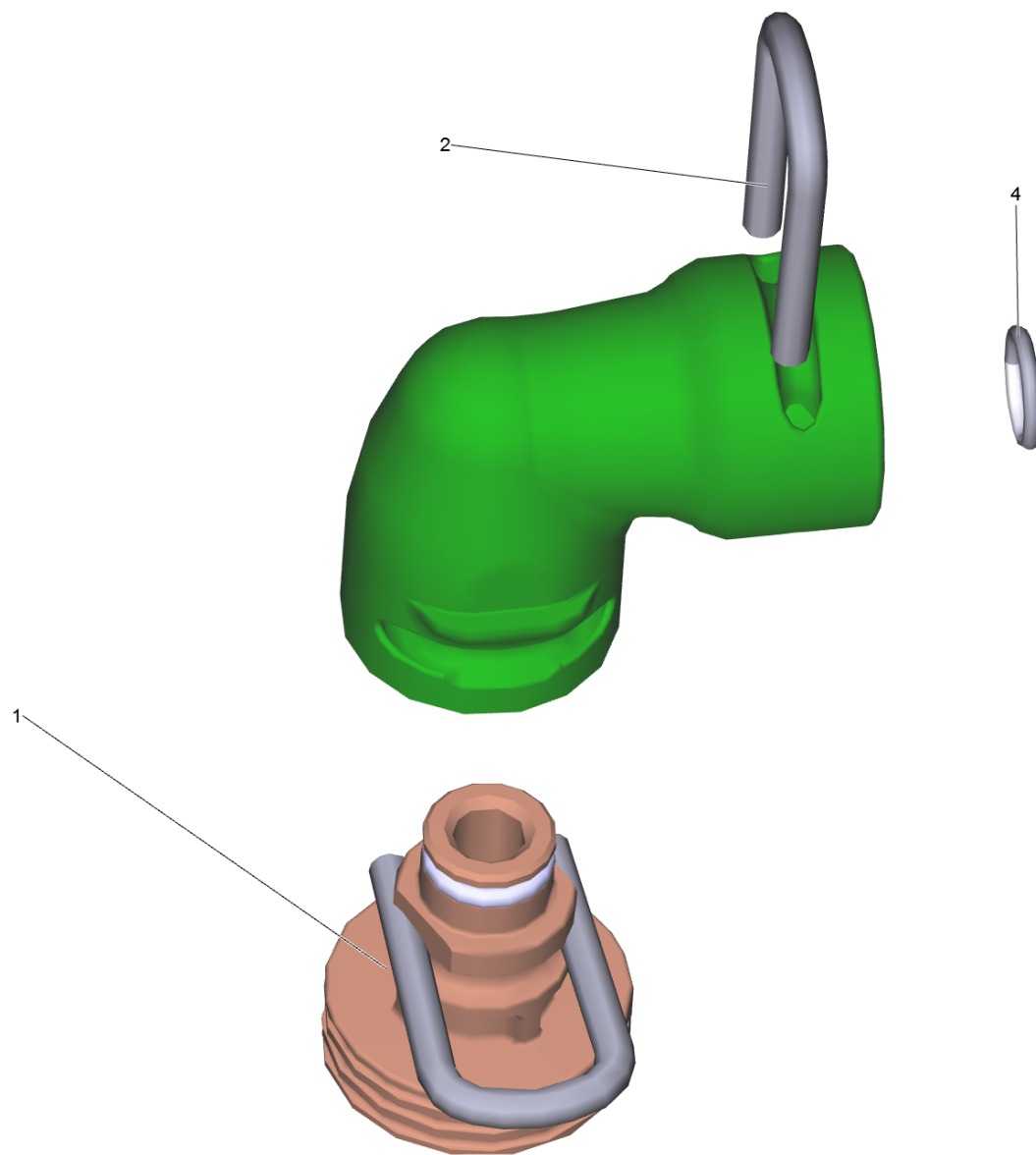
<b>POS</b>	<b>Article no.</b>	<b>Description</b>	<b>Quantity</b>	<b>Unit</b>
2	5.037-151.0	Clamp	2.000	ST
1		Nozzle complete 15020	1.000	ST
4	6.362-661.0	O-Ring seal 5,0 X 1,0-NBR 80	2.000	ST



1 Nozzle complete 15020

---

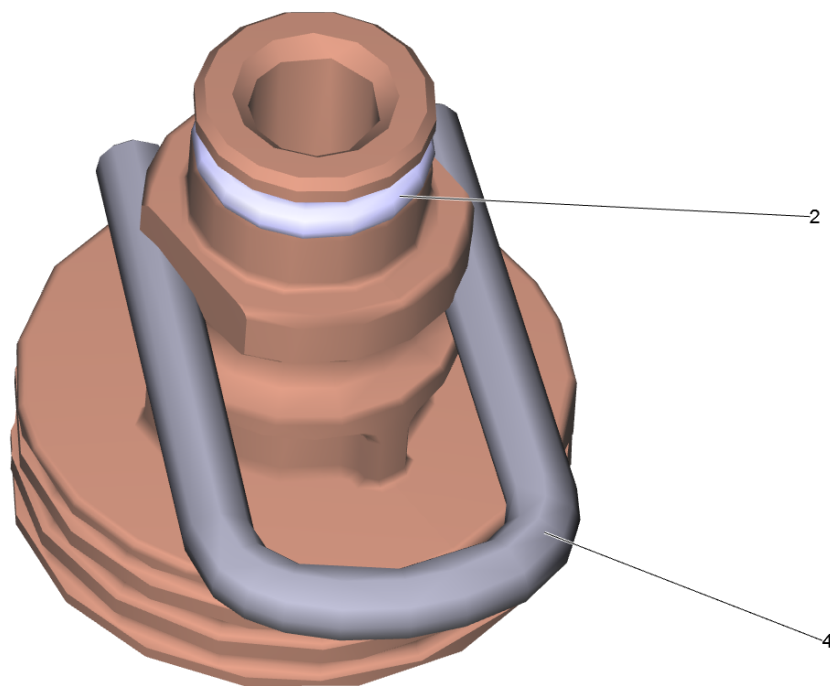
<b>POS</b>	<b>Article no.</b>	<b>Description</b>	<b>Quantity</b>	<b>Unit</b>
4	5.037-151.0	Clamp	2.000	ST
2	6.363-609.0	O-Ring seal 5 x 1,2 -EPDM	2.000	ST



14 Spare parts set power nozzle 15017 (2.885-313.0)

---

<b>POS</b>	<b>Article no.</b>	<b>Description</b>	<b>Quantity</b>	<b>Unit</b>
2	5.037-151.0	Clamp	2.000	ST
1		Power nozzle kpl 15017	1.000	ST

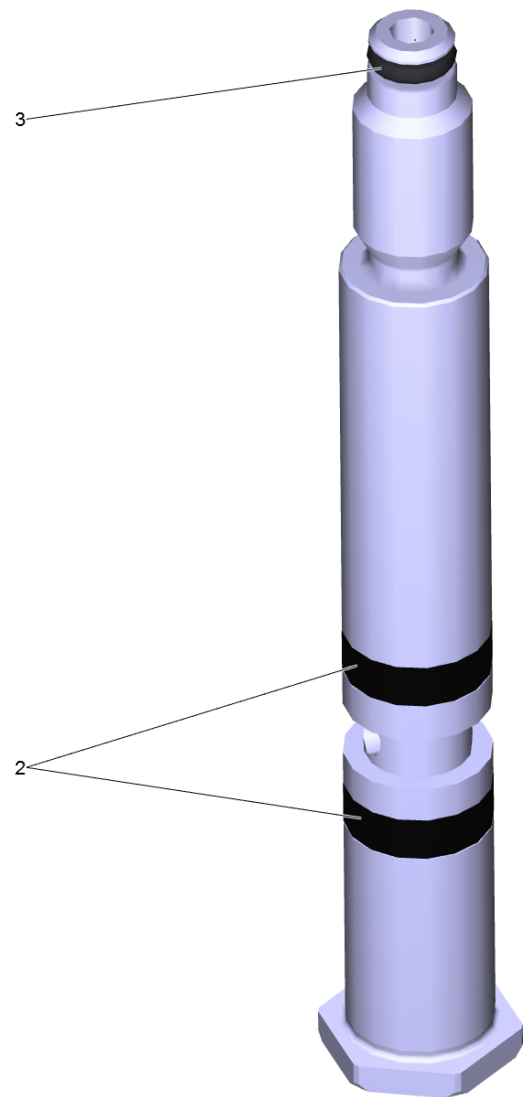


1 Power nozzle kpl 15017

---

<b>POS</b>	<b>Article no.</b>	<b>Description</b>	<b>Quantity</b>	<b>Unit</b>
4	5.037-151.0	Clamp	2.000	ST

---





21 Spare part set Lagerzapfen (2.885-298.0)

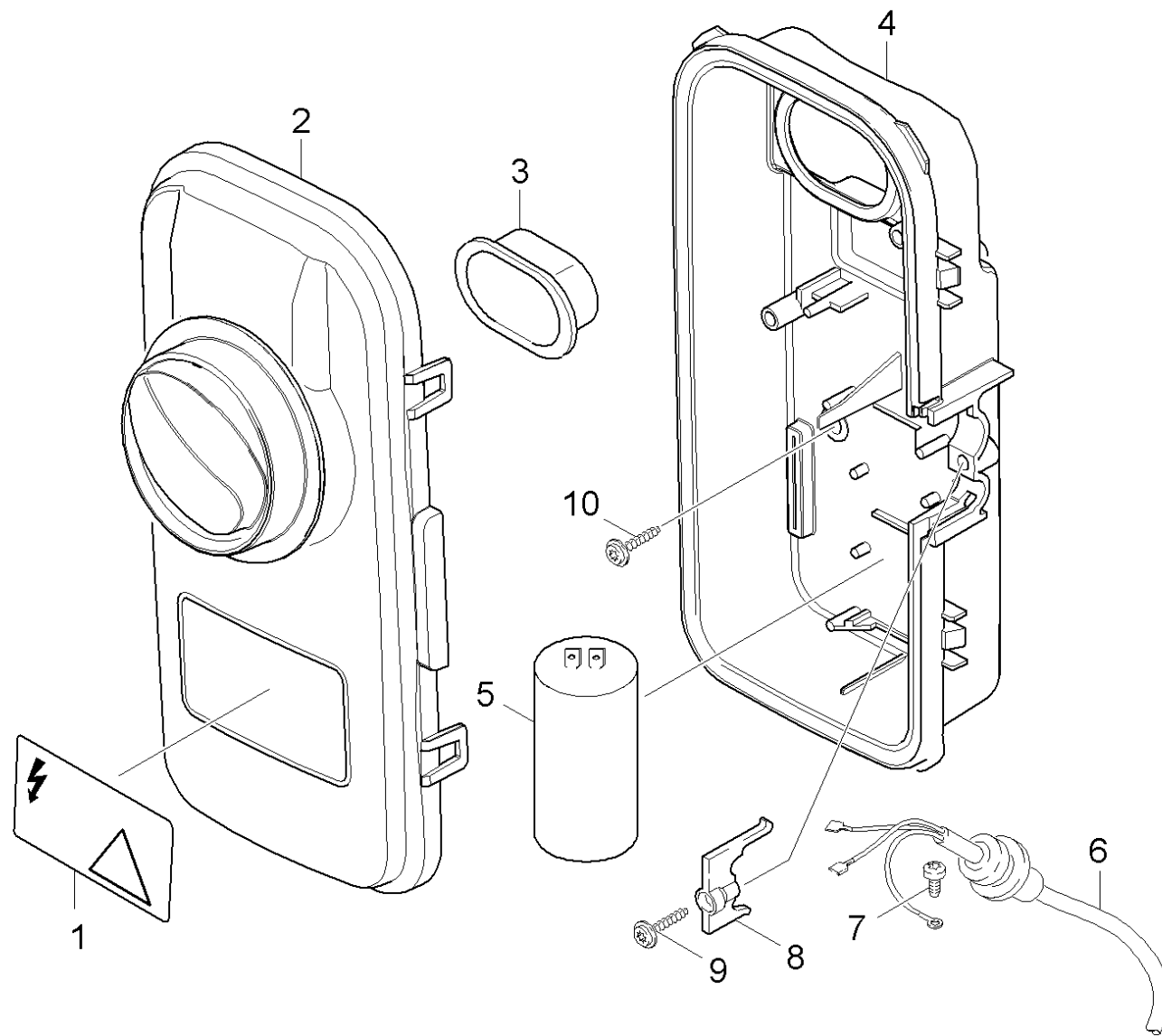
---

<b>POS</b>	<b>Article no.</b>	<b>Description</b>	<b>Quantity</b>	<b>Unit</b>
3	6.362-984.0	O-Ring d. 3 x 1,5 NBR 80	1.000	ST
2	5.363-412.0	Seal	2.000	ST

24 Screw union (4.402-022.0)

---

<b>POS</b>	<b>Article no.</b>	<b>Description</b>	<b>Quantity</b>	<b>Unit</b>
9000	7.362-501.0	O-Ring seal 10x2 EPDM 70 DIN 3770	2.000	ST



## 50 Electric box

POS	Article no.	Description	Quantity	Unit	Remark
6	6.648-906.3	Cable with plug	1.000	ST	
	<b>Item text1:</b> / 1.514-114.0 /-125.0 /-128.0 /-501.0 /-502 /-551.0 /-601.0 /-651.0				
6	6.648-979.0	Cable with plug *AUS	1.000	ST	
	<b>Item text1:</b> / 1.514-553.0				
6	6.648-977.0	Cable with plug *GB	1.000	ST	
	<b>Item text1:</b> 1.514-554.0				
6	6.648-977.0	Cable with plug *GB	1.000	ST	
	<b>Item text1:</b> 1.514-652.0				
6	6.649-943.0	Cable with plug CH	1.000	ST	
	<b>Item text1:</b> / 1.514-552.0				
5	6.661-129.0	Capacitor 25MF	1.000	ST	25 mF
5	6.661-132.0	Capacitor 35MF	1.000	ST	35 mF
5	6.661-298.0	Capacitor 40µf	1.000	ST	40 mF
4	5.061-000.0	Housing	1.000	ST	
1	5.388-512.0	Label	1.000	ST	
3	5.365-181.0	Profile gasket	1.000	ST	
9	6.303-200.0	Screw 5x25-IN6RD	1.000	ST	
7	7.303-031.0	Screw M4x10 -St-P2R (In6Rd)	1.000	ST	
10	6.303-153.0	Screw M5x15-ST-R2R (IN6RD)	3.000	ST	
2	4.744-266.0	Switch complete	1.000	ST	
	<b>Item text1:</b> 1.514-114.0 /-125.0 /-128.0 /-502.0 /-601.0 /-651.0 / -652.0				
2	4.744-166.0	Switch complete	1.000	ST	
	<b>Item text1:</b> 1.514-501.0 / -551.0 / -552.0 / -553.0				
	<b>Item text2:</b> /-554.0				
8	5.263-051.0	Tensioning part	1.000	ST	