

Spare parts list

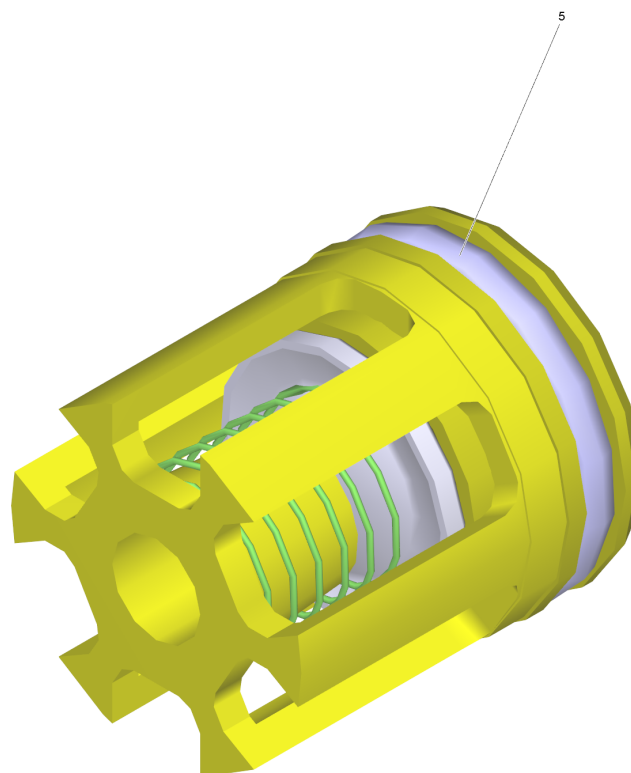
(2.885-035.0) Spare part set pump

Table of contents

100 Spare part set pump (2.885-035.0)	3
1 Valve (3 Stueck) (2.884-512.0)	4
3 Valve complete (4.580-594.0)	6

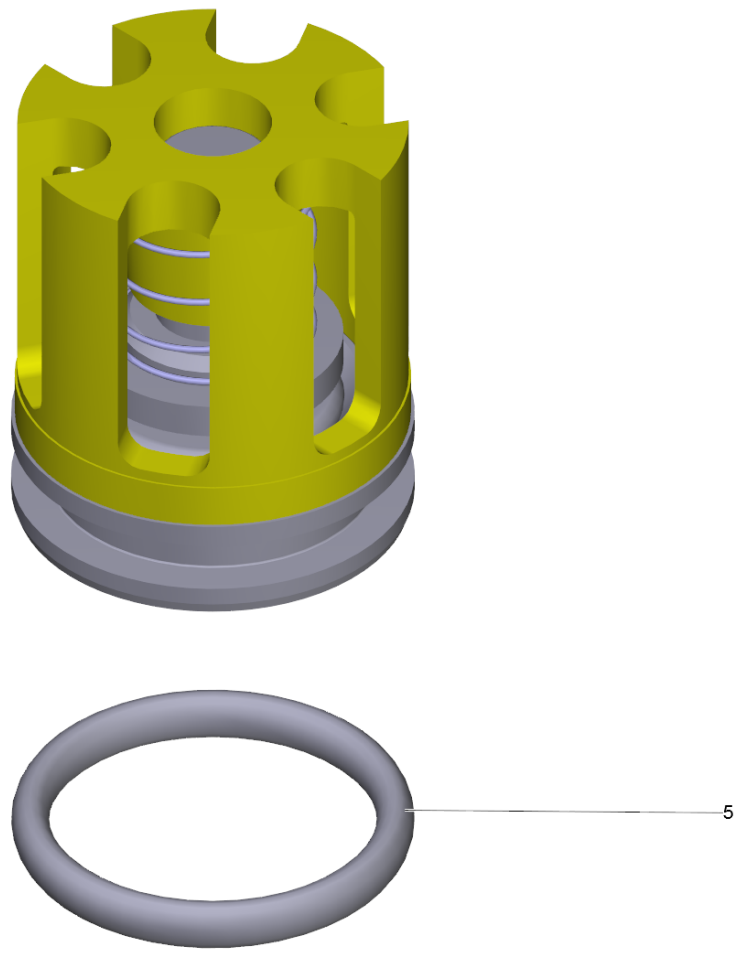
100 Spare part set pump (2.885-035.0)

POS	Article no.	Description	Quantity	Unit
1	2.884-512.0	Valve (3 Stueck)	2	PC
2	4.580-581.3	Valve complete	1	PC
3	4.580-594.0	Valve complete	1	PC
4	5.034-494.0	Retaining bracket	2	PC
5	5.115-255.0	Washer	3	PC
6	5.115-538.0	Washer	3	PC
7	5.115-796.0	Washer	2	PC
8	6.362-406.0	O-Ring seal 33,05X 1,78-NBR 70	3	PC
9	6.362-468.0	O-Ring seal complete 1ST.-R.	1	PC
10	6.362-481.0	O-Ring seal 14,0 x 2,0 NBR 80	3	PC
11	6.362-547.0	O-Ring seal 20,0x1,5-NBR 70	4	PC
12	6.365-053.0	Compact seal 20X30X6	3	PC
13	6.365-377.0	Grooved ring 20x30x6	3	PC
14	6.365-378.0	Supportring 20x30x4,2	3	PC



1 Valve (3 Stueck) (2.884-512.0)

POS	Article no.	Description	Quantity	Unit
5	6.363-003.0	O-Ring seal 13,0 X 2,0-NBR 90	1	PC



3 Valve complete (4.580-594.0)

POS	Article no.	Description	Quantity	Unit
5	6.362-381.0	O-Ring seal 13x2 - NBR 70	1	PC