

Spare parts list

(1.049-684.0) KSM 750 BAT

Table of contents

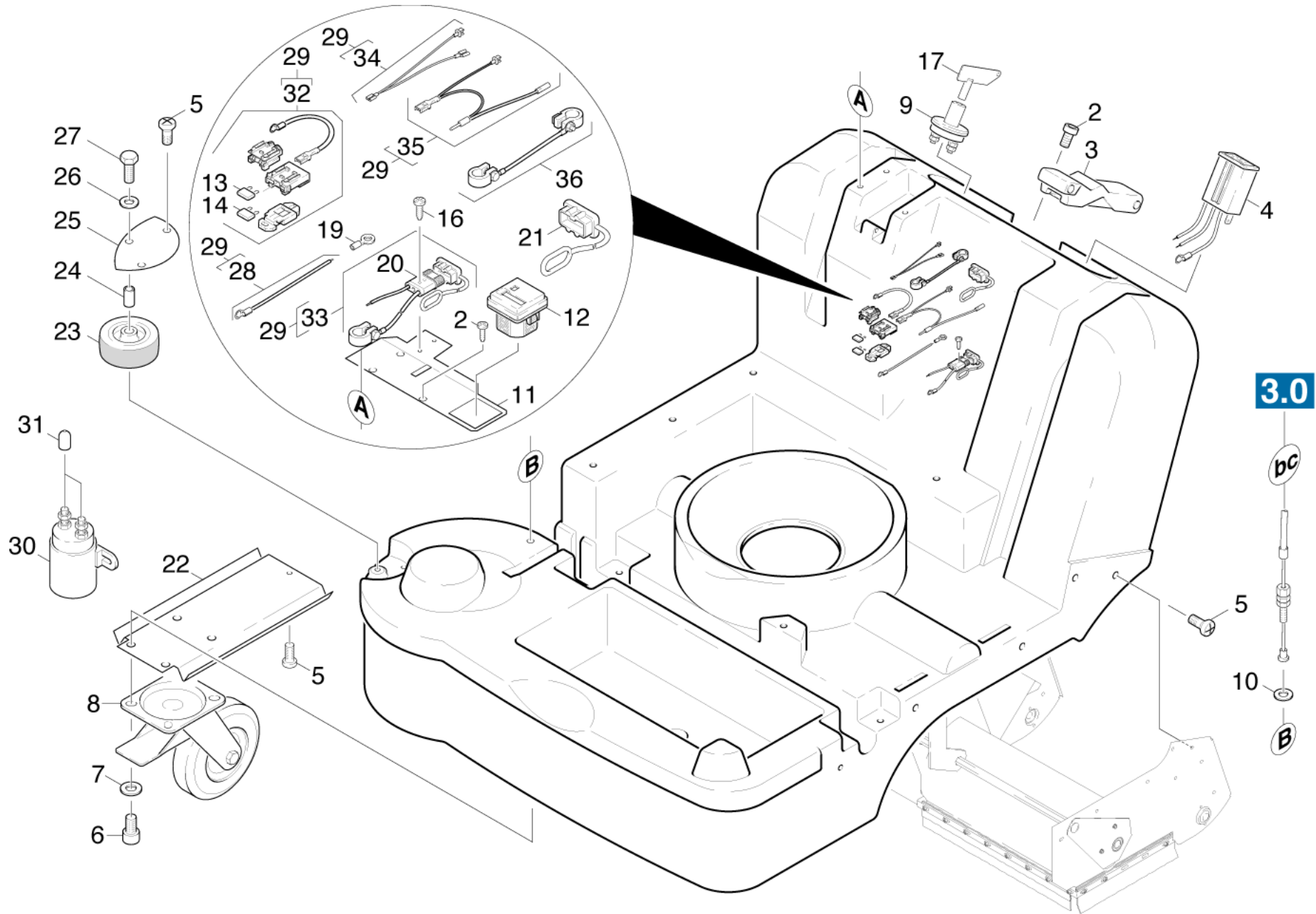
KSM 750 BAT (1.049-684.0)	3
Spare parts list KSM 750 BAT (5.958-086.0)	4
10 Base frame	5
20 Cover	8
30 Shearing shackle	10
40 Transmission	12
50 Transmission side broom	14
60 Motor	17
61 Motor	18
62 Motor	21
70 Sweep roller chest	23
71 Sweep roller chest	24
72 Sweep roller chest	26
80 Reversing rolling mill	29
90 Sweep tank	31
100 Vibrator	33

KSM 750 BAT (1.049-684.0)

POS	Article no.	Description	Quantity	Unit
0	5.958-086.0	Spare parts list KSM 750 BAT	1	PC
Item text2: 10496840				

Spare parts list KSM 750 BAT (5.958-086.0)

POS	Description	Quantity	Unit
10	Base frame	1	PC
20	Cover	1	PC
60	Motor	1	PC
80	Reversing rolling mill	1	PC
30	Shearing shackle	1	PC
70	Sweep roller chest	1	PC
90	Sweep tank	1	PC
40	Transmission	1	PC
50	Transmission side broom	1	PC
100	Vibrator	1	PC

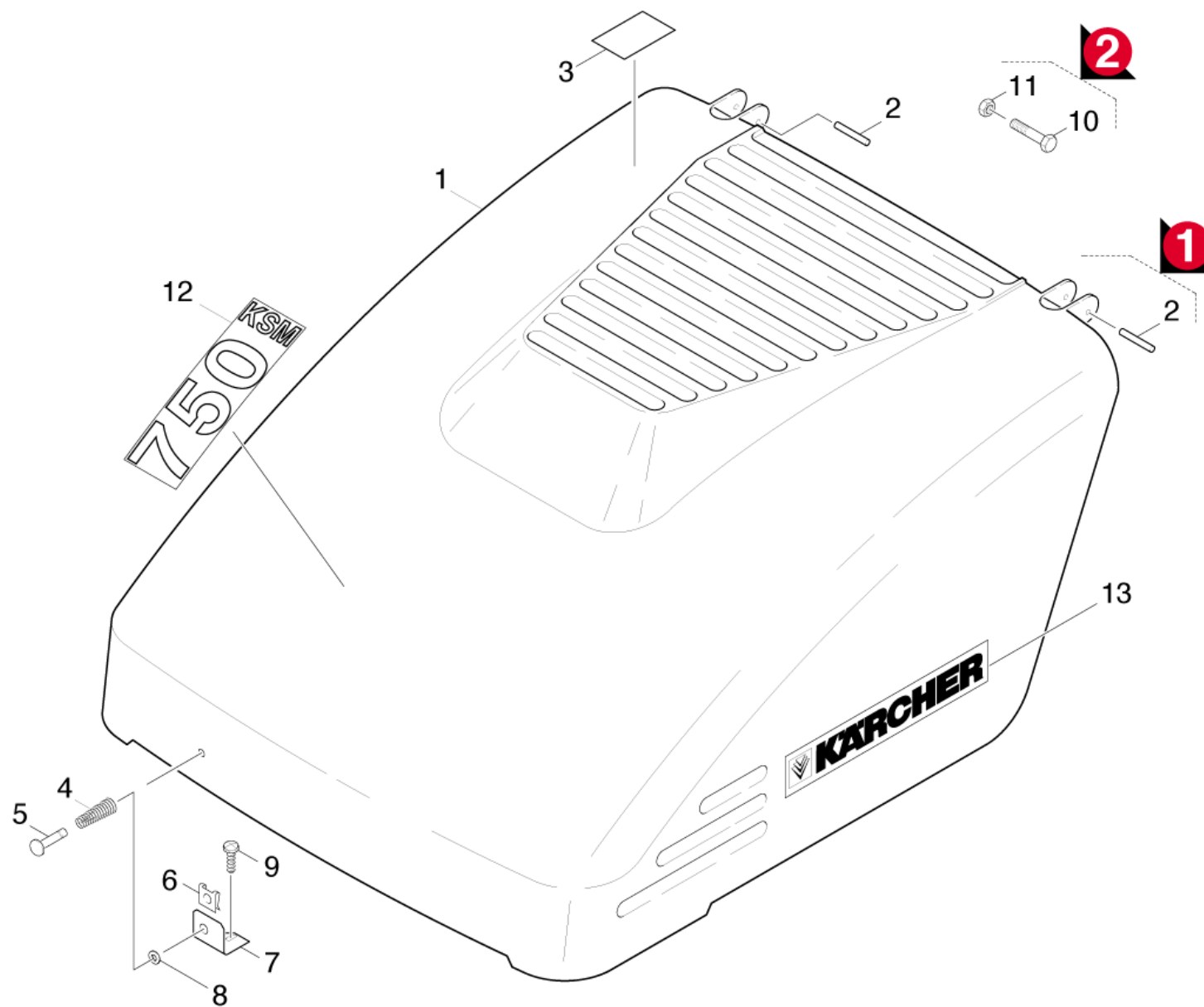


10 Base frame

POS	Article no.	Description	Quantity	Unit	valid from
36	6.647-874.0	Cable complete	1	PC	
	Item text1: / 1.049-121.0				
19	6.641-259.0	Cable lug M8 x 6, gelb	2	PC	
8	6.435-322.0	Castor	1	PC	
13	6.644-272.0	Flat fuse MEGA 50A	1	PC	
	Item text1: / 1.049-684.0				
13	6.644-246.0	Fuse 40A-SAE J 1888	1	PC	
	Item text1: / 1.049-121.0				
14	7.644-006.0	Fuse insert C 3 DIN 72581-3	1	PC	
27	7.304-386.0	Hexagonal head screw M 6x25-8.8-A2E ISO	1	PC	16670
6	7.304-395.0	Hexagonal head screw M8x16-8.8-A2E ISO	4	PC	
12	6.681-081.0	Hour counter	1	PC	
17	6.634-201.0	Key	1	PC	
9	6.634-196.0	Key switch	1	PC	
20	6.646-140.0	Plug two-pole 50A-	1	PC	
	Item text1: / 1.049-121.0				
20	6.646-345.0	Plug two-pole grey 50A--SB50	1	PC	
	Item text1: / 1.049-684.0				
21	6.368-278.0	Protecting cap	1	PC	
31	6.368-294.0	Protecting cap black 1/4" PVC	2	PC	
	Item text1: / 1.049-684.0				
18	6.641-238.0	Receptacles for tabs	1	PC	
30	6.633-411.0	Relay 12VDC / 100A	1	PC	
	Item text1: / 1.049-684.0				
30	6.633-235.0	Relay 24 V	1	PC	
	Item text1: / 1.049-121.0				
2	6.303-155.0	Screw 5x16	9	PC	
5	6.303-174.0	Screw 6,0X20-ST-A2R	11	PC	
16	7.303-501.0	Self-tapping screw M3x20-ST-A2E DIN 7500	2	PC	
3	6.375-338.0	Snap fastener	1	PC	
4	7.777-999.0	Stockpiling discontinued	1	PC	
	Item text1: / 1.049-684.0				
4	7.777-999.0	Stockpiling discontinued	1	PC	

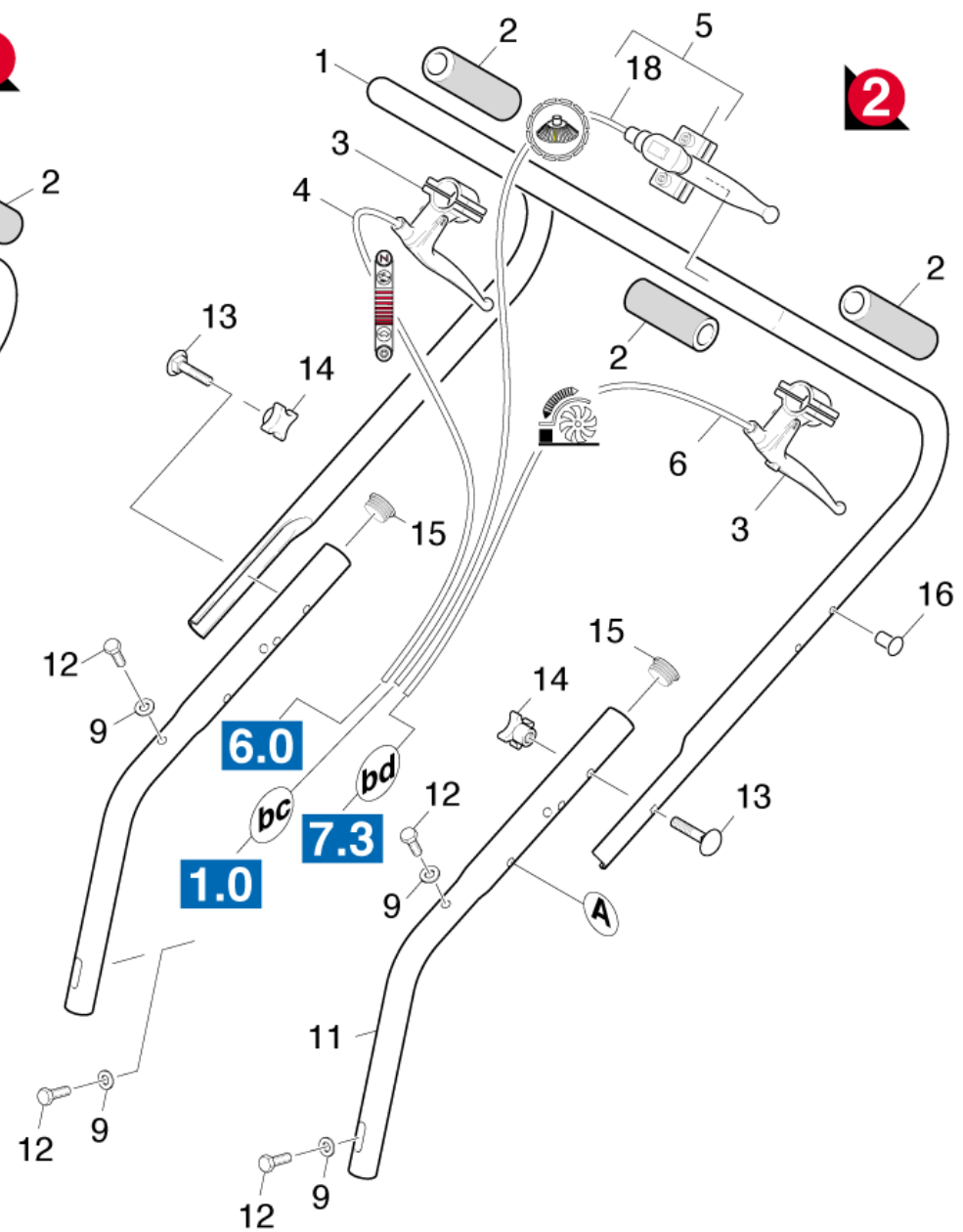
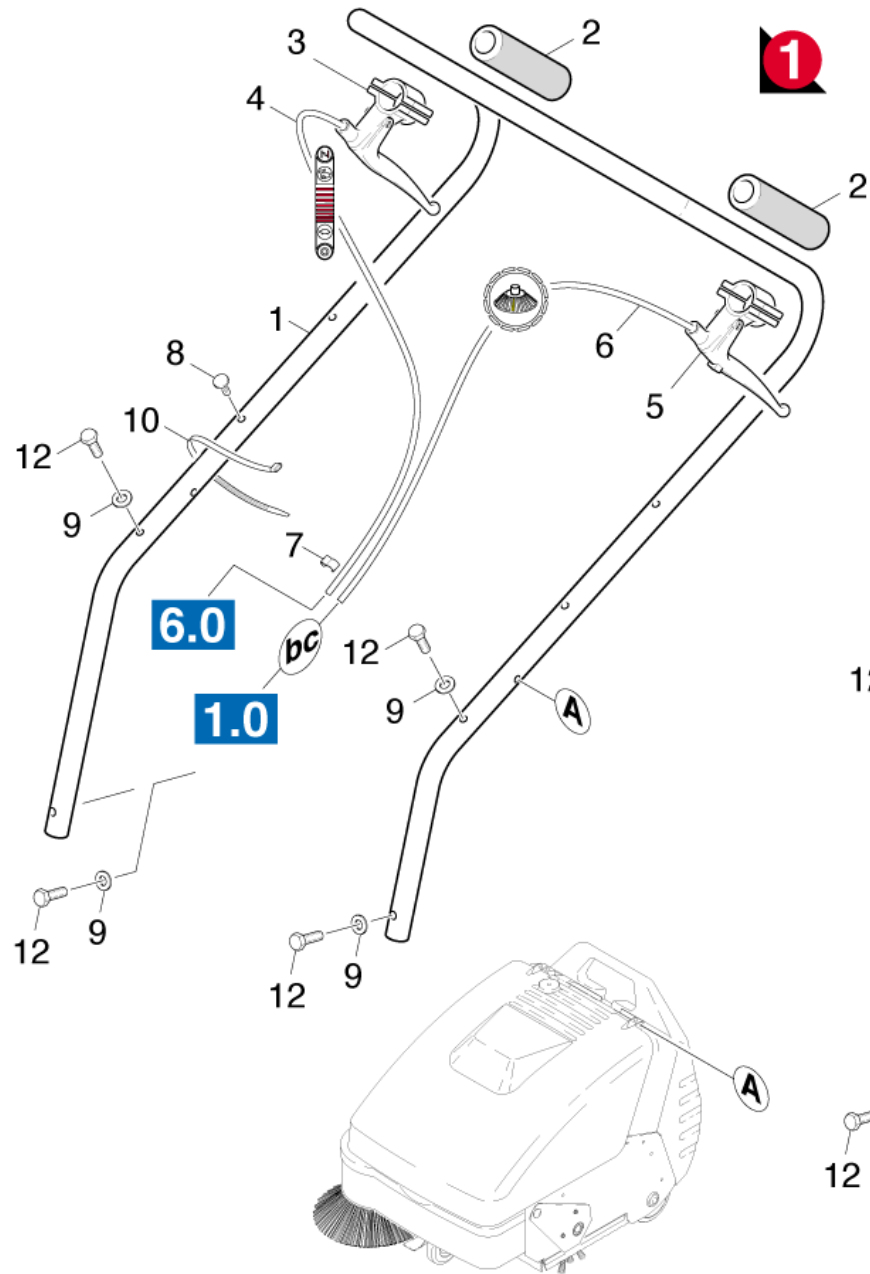
10 Base frame

POS	Article no.	Description	Quantity	Unit	valid from
	Item text1: / 1.049-121.0				
11	7.777-999.0	Stockpiling discontinued	1	PC	
22	7.777-999.0	Stockpiling discontinued	1	PC	
24	7.777-999.0	Stockpiling discontinued	1	PC	16670
25	7.777-999.0	Stockpiling discontinued	1	PC	16670
28	7.777-999.0	Stockpiling discontinued	1	PC	
	Item text1: / 1.049-121.0				
29	7.777-999.0	Stockpiling discontinued	1	PC	
	Item text1: / 1.049-684.0 bis up to jusq. 16669				
29	7.777-999.0	Stockpiling discontinued	1	PC	
	Item text1: / 1.049-684.0 ab from a 16670				
32	7.777-999.0	Stockpiling discontinued	1	PC	
	Item text1: / 1.049-121.0				
33	7.777-999.0	Stockpiling discontinued	1	PC	
	Item text1: / 1.049-121.0				
34	7.777-999.0	Stockpiling discontinued	1	PC	
	Item text1: / 1.049-121.0				
35	7.777-999.0	Stockpiling discontinued	1	PC	
	Item text1: / 1.049-121.0				
26	7.312-003.0	Washer 6 -200HV-A3E ISO 7089	1	PC	16670
10	7.312-276.0	Washer 6-200HV-A2E ISO 7093-1	1	PC	
7	7.312-004.0	Washer 8 -200HV-A3E ISO 7089	4	PC	
23	6.435-373.0	Wheel traceless grey D50	1	PC	16670



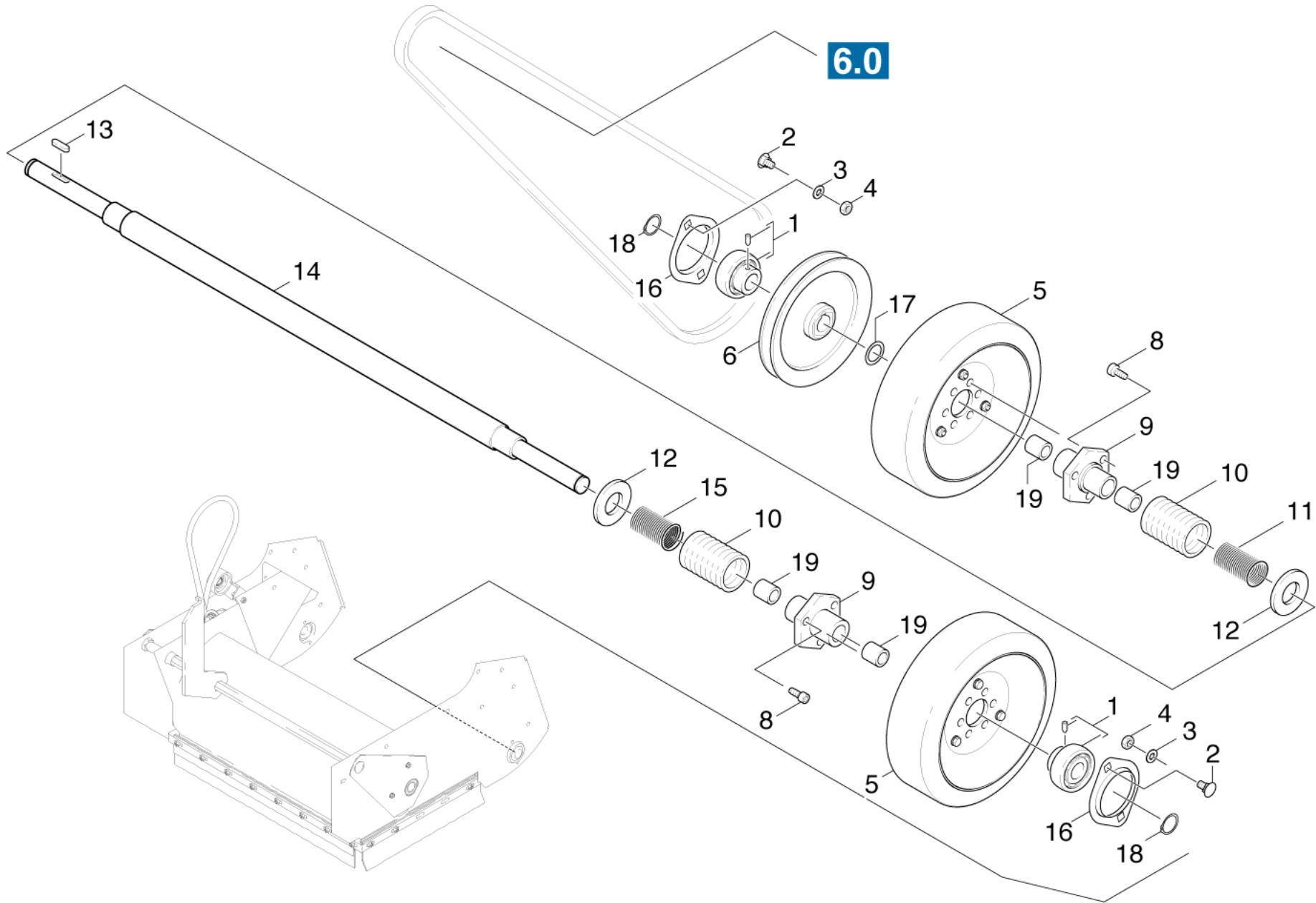
20 Cover

POS	Article no.	Description	Quantity	Unit	Remark
13	5.390-708.0	Character	2	PC	
10	7.306-167.0	Cylinder head screw M 4x40-8.8-A2E DIN	2	PC	
11	7.311-516.0	Hexagon nut M4-A2-70 DIN 985	2	PC	NEU
3	5.382-041.0	Label Batteriestecker	1	PC	
12	5.380-486.0	Label character KSM 750	1	PC	
5	6.316-090.0	Pin closure cover KSM750	1	PC	
9	6.303-155.0	Screw 5x16	1	PC	
1	7.777-999.0	Stockpiling discontinued	1	PC	
2	7.777-999.0	Stockpiling discontinued	2	PC	ALT
4	7.777-999.0	Stockpiling discontinued	1	PC	
6	7.777-999.0	Stockpiling discontinued	1	PC	
7	7.777-999.0	Stockpiling discontinued	1	PC	
8	7.777-999.0	Stockpiling discontinued	1	PC	



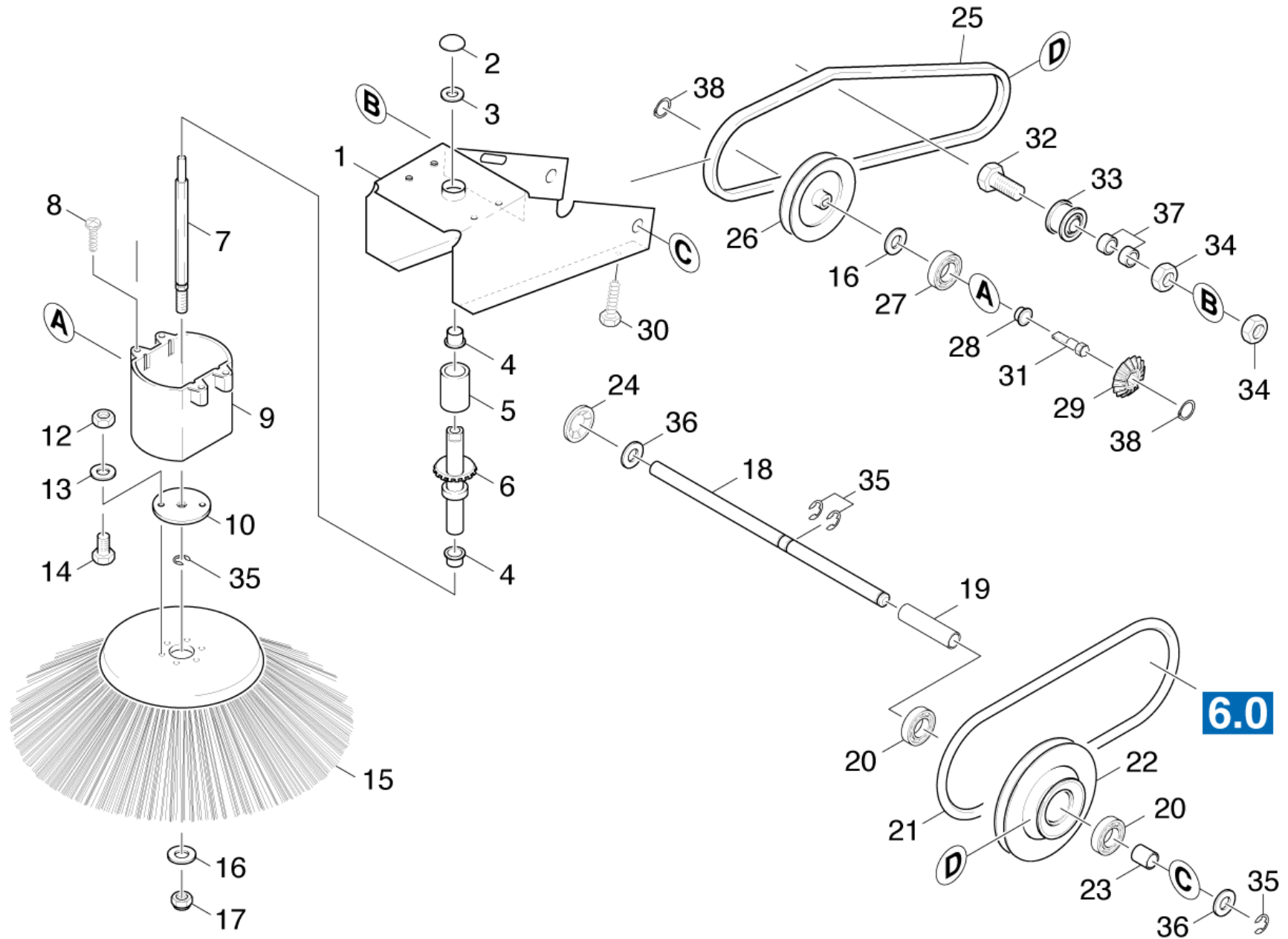
30 Shearing shackle

POS	Article no.	Description	Quantity	Unit	Remark	Foot note text
4	6.431-124.0	Bowden wire complete	1	PC		GREASE SPRAY FOR BOWDEN WIRE 400 ML TIN 6.288-107
6	6.431-198.0	Bowden wire complete bulk waste flap	1	PC		GREASE SPRAY FOR BOWDEN WIRE 400 ML TIN 6.288-107
18	6.431-123.0	Bowden wire complete side broom	1	PC		GREASE SPRAY FOR BOWDEN WIRE 400 ML TIN 6.288-107
10	6.641-465.0	Cable tape	1	PC	VERSION 1	
15	6.368-173.0	Drain plug	2	PC	VERSION 2	
3	6.437-467.0	Operating lever	2	PC		QUANTITY ACCORDING TO DEMAND
5	6.437-468.0	Operating lever	1	PC		
16	6.315-068.0	Rivet	4	PC	VERSION 2	
13	7.303-190.0	Saucer-head screw M6x35 -St-A0P DIN 603	2	PC	VERSION 2	
12	7.306-105.0	Screw M6x30 -8.8-R3R (In6Rd)	4	PC		
14	6.310-023.0	Star handle M 6	2	PC	VERSION 2	
1	7.777-999.0	Stockpiling discontinued	1	PC		
2	7.777-999.0	Stockpiling discontinued	3	PC		QUANTITY ACCORDING TO DEMAND
7	7.777-999.0	Stockpiling discontinued	2	PC		
8	7.777-999.0	Stockpiling discontinued	1	PC	VERSION 1	
11	5.029-341.0	Tube shearing shackle	2	PC	VERSION 2	
9	7.312-003.0	Washer 6 -200HV-A3E ISO 7089	4	PC		



40 Transmission

POS	Article no.	Description	Quantity	Unit
19	6.437-480.0	Bearing bush	4	PC
6	5.625-277.0	Belt pulley	1	PC
15	5.332-377.0	Helical spring left	1	PC
11	5.332-378.0	Helical spring right	1	PC
4	7.311-003.0	Hexagon nut M6 -8-A2E ISO 4032	4	PC
16	6.401-271.0	Housing flanged bearing	2	PC
18	7.343-306.0	Lock washer 12-St-A2E DIN 6799	2	PC
13	7.318-003.0	Parallel key A 5x5x18-C45K DIN 6885-1	1	PC
10	5.442-880.0	Piece of tube	2	PC
1	6.401-270.0	Radial ball insert bearing	2	PC
2	7.303-046.0	Screw M6x12 -St-R3R (In6Rd)	4	PC
8	6.303-158.0	Self-tapping screw cylinder head M6x12	6	PC
17	7.343-217.0	Shim ring 15x21x0,5-ST2K50 DIN 988	1	PC
5	7.777-999.0	Stockpiling discontinued	2	PC
9	7.777-999.0	Stockpiling discontinued	2	PC
14	7.777-999.0	Stockpiling discontinued	1	PC
3	7.312-003.0	Washer 6 -200HV-A3E ISO 7089	4	PC
12	7.312-013.0	Washer 20-A2 ISO 7089	2	PC



50 Transmission side broom

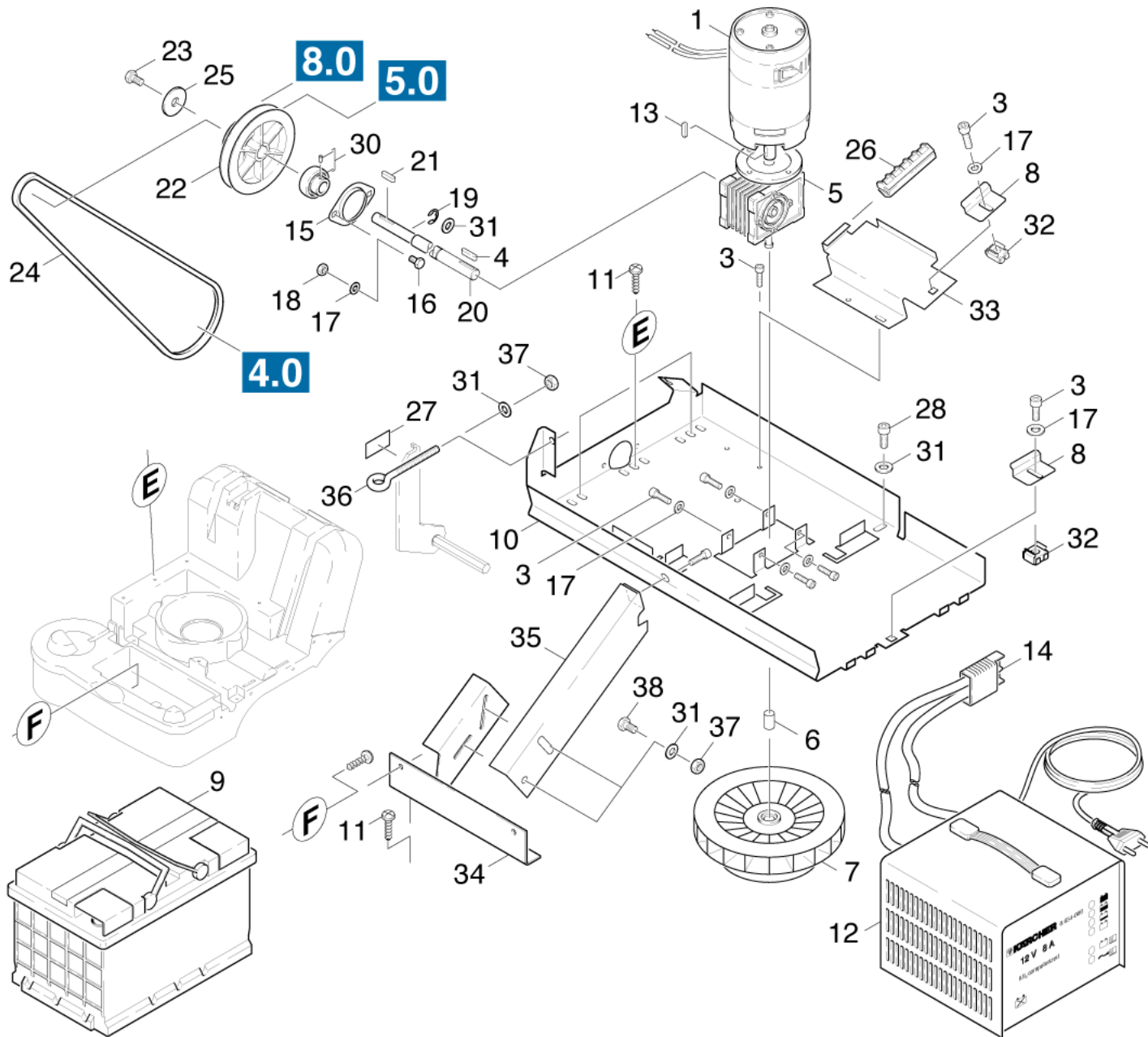
POS	Article no.	Description	Quantity	Unit	valid from	valid until
7	5.105-179.0	Axle side broom	1	PC		
20	6.401-363.0	Ball bearing	2	PC		
27	7.401-174.0	Ball bearing 688-2Z -Wälzl.St DIN 625	1	PC		
4	6.437-484.0	Bearing bush	2	PC		
28	6.437-485.0	Bearing bush	1	PC		
26	5.625-332.0	Belt pulley	1	PC		
22	5.625-274.0	Belt pulley side broom	1	PC		
32	7.306-049.0	Cylinder head screw M 8x45-8.8-A2E ISO	1	PC		
33	6.435-274.0	Deflection pulley	1	PC		
12	7.311-003.0	Hexagon nut M6 -8-A2E ISO 4032	2	PC		
34	7.311-004.0	Hexagon nut M8 -8-A3E ISO 4032	2	PC		
17	7.311-427.0	Hexagon nut M8-04-A2E DIN 985	1	PC		
6	5.100-109.0	Hollow shaft	1	PC		
9	5.060-553.0	Housing	1	PC		
38	7.343-014.0	Locking ring 8x0,8-FST-PHR DIN 471	2	PC		
2	6.343-129.0	Lock washer	1	PC		
35	7.343-205.0	Lock washer 9-St-A2E DIN 6799	4	PC		
29	5.352-060.0	Pinion	1	PC		
24	6.343-180.0	Quick-fastener Starlock	1	PC		
21	6.348-346.0	Round belt -SL=830	1	PC		
8	6.303-155.0	Screw 5x16	4	PC		
14	7.306-090.0	Screw M6x16 -8.8-P2R (In6Rd)	2	PC		
31	5.100-186.0	Shaft	1	PC		
30	7.303-326.0	Sheet metal screw ST3,5x9,5 -St-flZn/nc4	1	PC		
15	6.951-073.0	Side broom	1	PC		
5	5.110-591.0	Sleeve	1	PC		
23	5.110-580.0	Sleeve	1	PC		
37	6.347-094.0	Spacer sleeve	2	PC		
1	7.777-999.0	Stockpiling discontinued	1	PC		16900
1	7.777-999.0	Stockpiling discontinued	1	PC	16901	
18	7.777-999.0	Stockpiling discontinued	1	PC		
19	7.777-999.0	Stockpiling discontinued	1	PC		
25	6.348-324.0	V-Belt 10 X 540 LI	1	PC	16901	

50 Transmission side broom

POS	Article no.	Description	Quantity	Unit	valid from	valid until
25	6.348-285.0	V-Belt X10	1	PC		16900
10	5.115-509.0	Washer	1	PC		
13	7.312-003.0	Washer 6 -200HV-A3E ISO 7089	2	PC		
3	7.312-292.0	Washer 6 -A2 ISO 7093-1	1	PC		
16	7.312-004.0	Washer 8 -200HV-A3E ISO 7089	2	PC		
36	7.312-008.0	Washer 12-200HV-A2K ISO 7089	1	PC		

60 Motor

POS	Description	Quantity	Unit	Remark
61	Motor	1	PC	(1.049-121.0)
	Item text1: / 1.049-121.0			
62	Motor	1	PC	(1.049-684.0)
	Item text1: / 1.049-684.0			

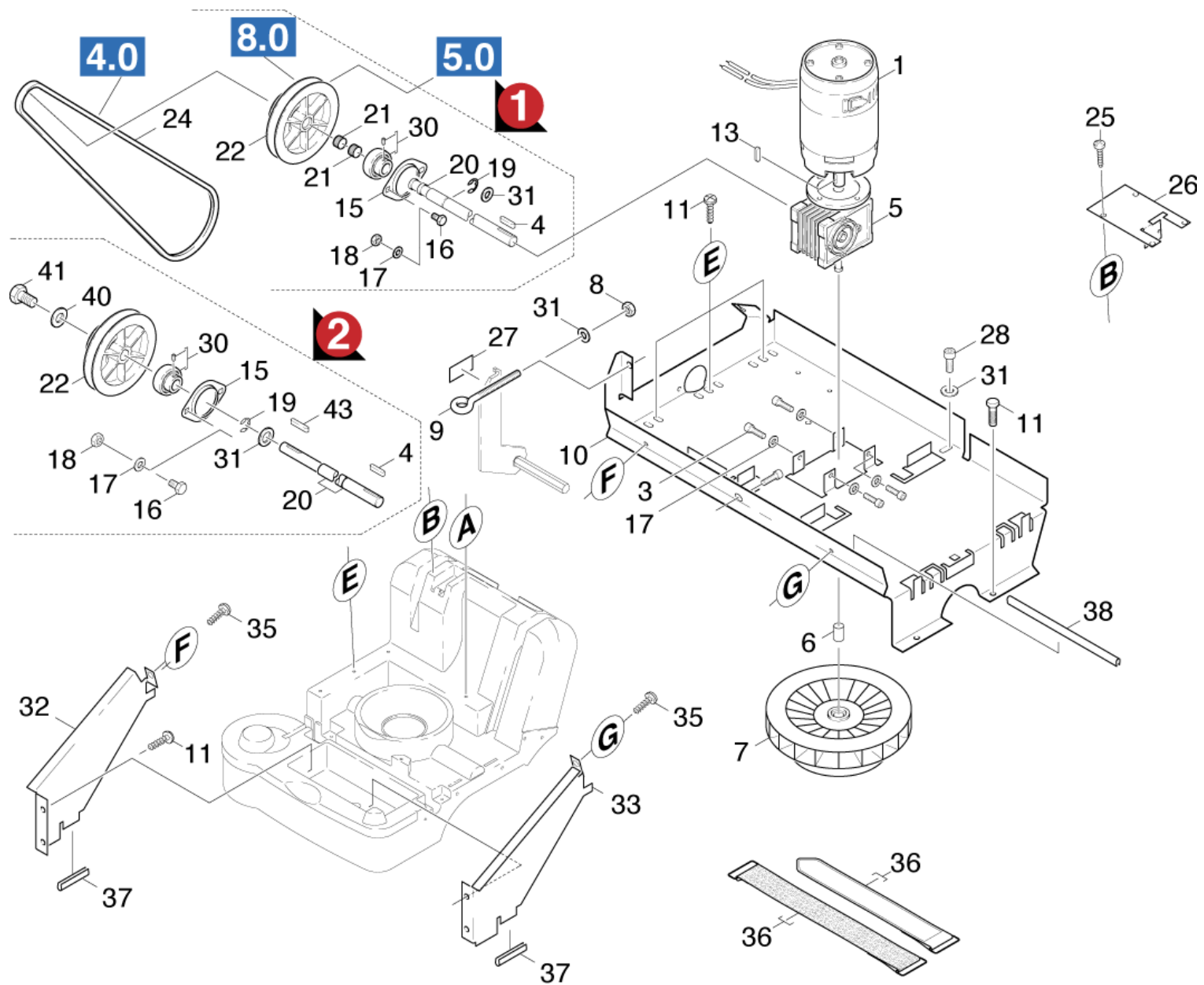


61 Motor

POS	Article no.	Description	Quantity	Unit	valid from	valid until
12	6.654-068.0	Battery charger maintenance free 24V	1	PC		
22	5.625-455.0	Belt pulley	1	PC		
32	6.310-020.0	Cage nut M 6	2	PC		
28	7.306-041.0	Cylinder head screw M8x20 -8.8-A2E ISO	1	PC		
1	6.613-047.0	Direct current motor	1	PC		
9	6.654-021.0	Drive battery WF	2	PC		
38	7.304-395.0	Hexagonal head screw M8x16-8.8-A2E ISO	2	PC		16669
18	7.311-003.0	Hexagon nut M6 -8-A2E ISO 4032	2	PC		
37	7.311-427.0	Hexagon nut M8-04-A2E DIN 985	1	PC		
8	5.046-367.0	Holder	2	PC		
15	6.401-271.0	Housing flanged bearing	2	PC		
27	5.382-465.0	Label	1	PC		
19	7.343-306.0	Lock washer 12-St-A2E DIN 6799	1	PC		
13	7.318-058.0	Parallel key 4x4x20-1.4301 DIN 6885	1	PC		
4	7.318-003.0	Parallel key A 5x5x18-C45K DIN 6885-1	1	PC		
21	7.318-079.0	Parallel key A 5x5x25-C45K DIN 6885	1	PC		
14	6.646-345.0	Plug two-pole grey 50A--SB50	1	PC		
30	6.401-270.0	Radial ball insert bearing	1	PC		
11	6.303-174.0	Screw 6,0X20-ST-A2R	5	PC		
23	7.306-077.0	Screw M5x16 -8.8-R2R (In6Rd)	1	PC		
16	7.306-090.0	Screw M6x16 -8.8-P2R (In6Rd)	2	PC		
3	6.303-158.0	Self-tapping screw cylinder head M6x12	6	PC		
20	5.100-234.0	Shaft	1	PC		
5	7.777-999.0	Stockpiling discontinued	1	PC		
6	7.777-999.0	Stockpiling discontinued	1	PC		
7	7.777-999.0	Stockpiling discontinued	1	PC		
10	7.777-999.0	Stockpiling discontinued	1	PC		16669
10	7.777-999.0	Stockpiling discontinued	1	PC	16670	
26	7.777-999.0	Stockpiling discontinued	1	PC		
33	7.777-999.0	Stockpiling discontinued	1	PC		
34	7.777-999.0	Stockpiling discontinued	1	PC		16669
35	7.777-999.0	Stockpiling discontinued	1	PC		16669
36	7.777-999.0	Stockpiling discontinued	1	PC		

61 Motor

POS	Article no.	Description	Quantity	Unit	valid from	valid until
24	6.348-313.0	V-Belt Z/10-LP=1142 VERST.	1	PC		
25	5.115-233.0	Washer	1	PC		
17	7.312-003.0	Washer 6 -200HV-A3E ISO 7089	9	PC		
31	7.312-004.0	Washer 8 -200HV-A3E ISO 7089	2	PC		

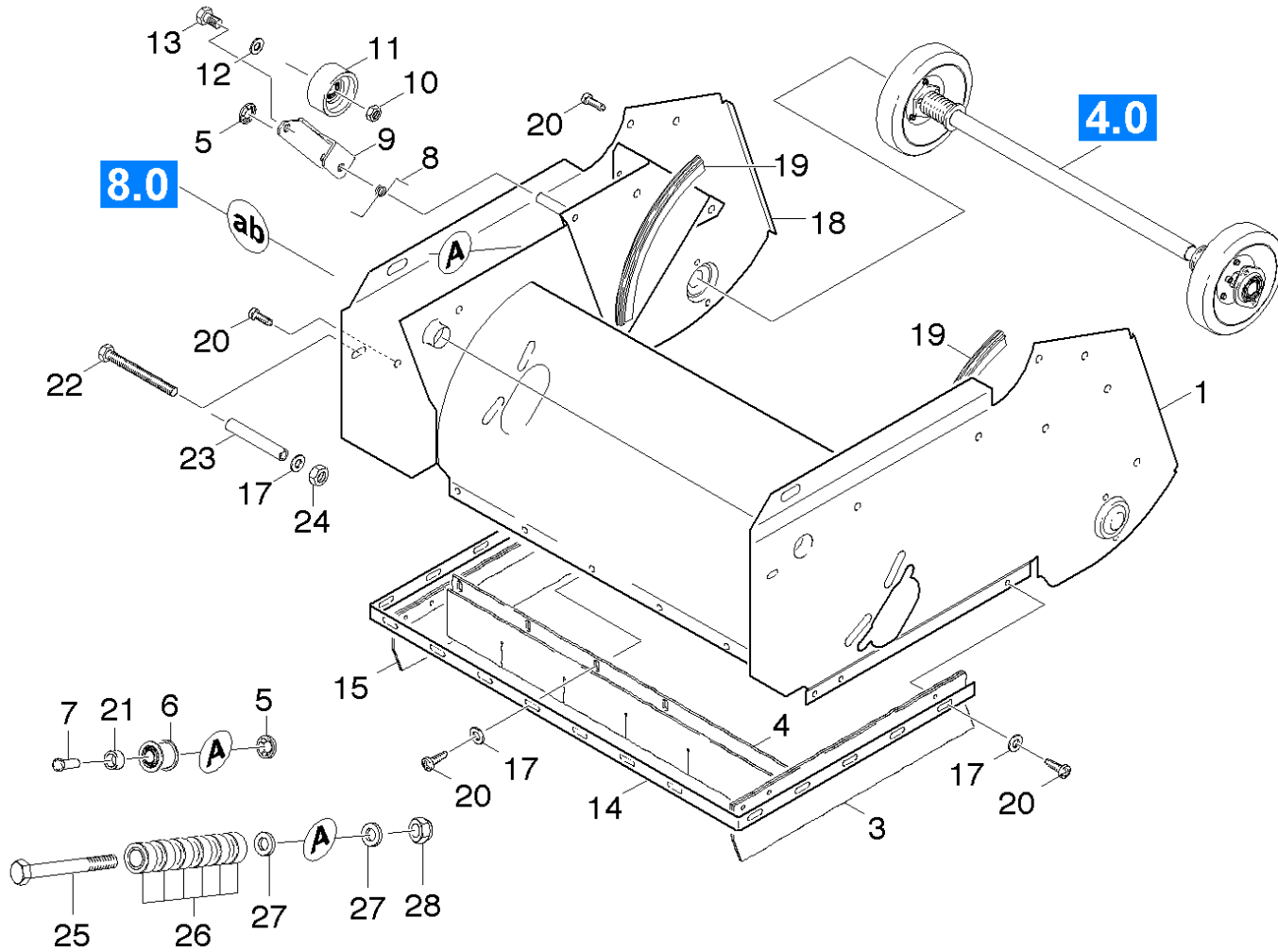


62 Motor

POS	Article no.	Description	Quantity	Unit
22	5.625-276.0	Belt pulley motor	1	PC
28	7.306-041.0	Cylinder head screw M8x20 -8.8-A2E ISO	1	PC
37	5.364-212.0	Edge protection	2	PC
18	7.311-003.0	Hexagon nut M6 -8-A2E ISO 4032	2	PC
8	7.311-427.0	Hexagon nut M8-04-A2E DIN 985	3	PC
15	6.401-271.0	Housing flanged bearing	2	PC
27	5.382-465.0	Label	1	PC
19	7.343-306.0	Lock washer 12-St-A2E DIN 6799	1	PC
13	7.318-058.0	Parallel key 4x4x20-1.4301 DIN 6885	1	PC
4	7.318-003.0	Parallel key A 5x5x18-C45K DIN 6885-1	1	PC
38	5.394-164.0	Protection part	1	PC
30	6.401-270.0	Radial ball insert bearing	1	PC
25	6.303-155.0	Screw 5x16	4	PC
11	6.303-174.0	Screw 6,0X20-ST-A2R	9	PC
35	7.303-046.0	Screw M6x12 -St-R3R (In6Rd)	2	PC
16	7.306-090.0	Screw M6x16 -8.8-P2R (In6Rd)	2	PC
3	6.303-158.0	Self-tapping screw cylinder head M6x12	4	PC
20	5.100-181.0	Shaft -KSM 750 BAT	1	PC
32	5.047-330.0	Sheet metal component 750 BAT USA/CDN	1	PC
33	5.047-898.0	Sheet metal component 750 BAT USA/CDN	1	PC
1	7.777-999.0	Stockpiling discontinued	1	PC
5	7.777-999.0	Stockpiling discontinued	1	PC
6	7.777-999.0	Stockpiling discontinued	1	PC
7	7.777-999.0	Stockpiling discontinued	1	PC
9	7.777-999.0	Stockpiling discontinued	1	PC
10	7.777-999.0	Stockpiling discontinued	1	PC
26	7.777-999.0	Stockpiling discontinued	1	PC
21	6.343-195.0	Tolerance ring BN15	2	PC
24	6.348-313.0	V-Belt Z/10-LP=1142 VERST.	1	PC
36	6.369-268.0	Velcro strip KSM 750 USA	1	PC
17	7.312-003.0	Washer 6 -200HV-A3E ISO 7089	6	PC
31	7.312-004.0	Washer 8 -200HV-A3E ISO 7089	2	PC

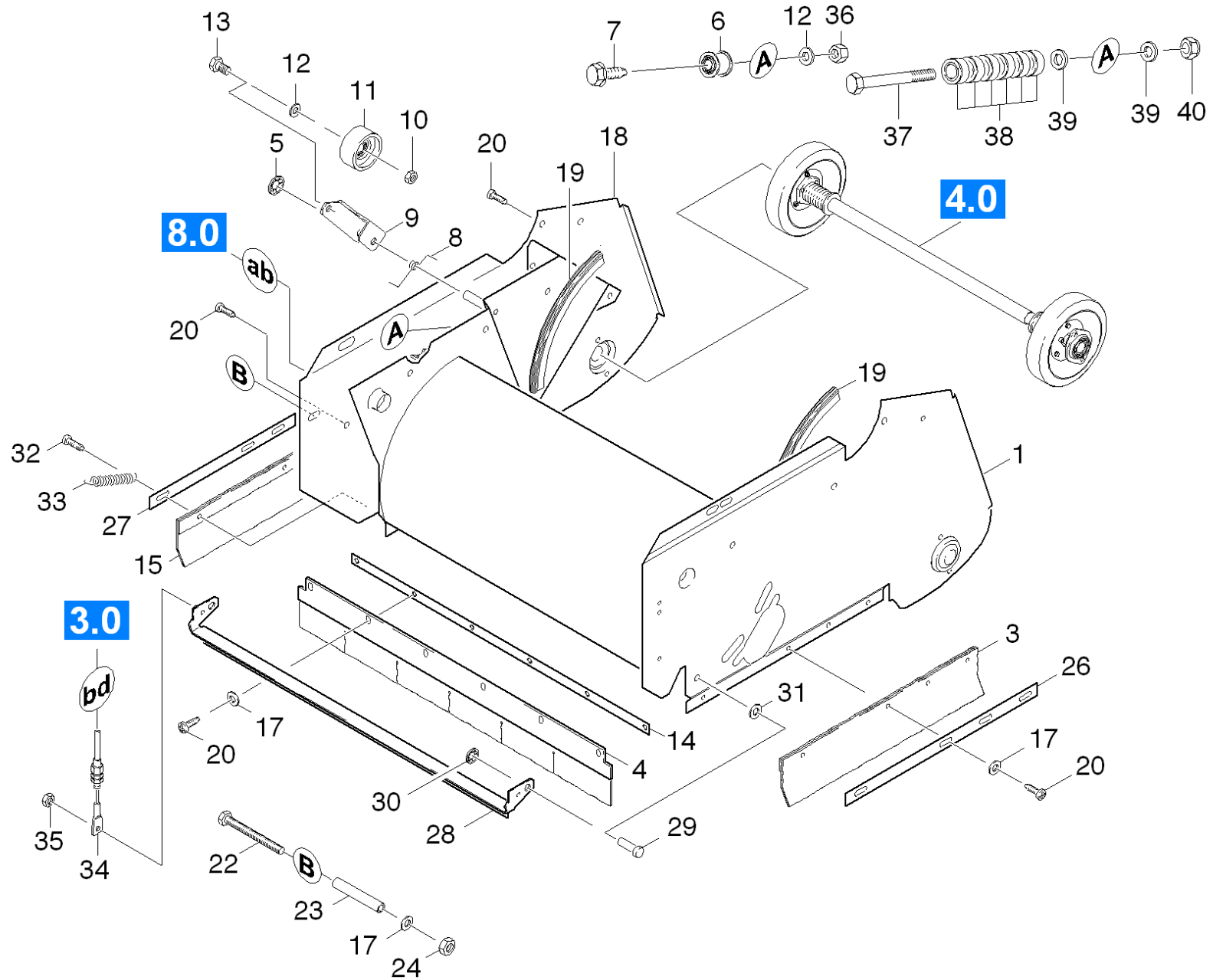
70 Sweep roller chest

POS	Description	Quantity	Unit	Remark
71	Sweep roller chest	1	PC	VERSION 1
72	Sweep roller chest	1	PC	VERSION 2



71 Sweep roller chest

POS	Article no.	Description	Quantity	Unit	valid from
26	7.401-043.0	Ball bearing 619/8-2RS -Wae.St. DIN 62	6	PC	10000
7	5.316-294.0	Bolt	1	PC	
6	6.435-274.0	Deflection pulley	1	PC	
13	7.304-399.0	Hexagonal head screw M 8x25-8.8-A2E ISO	1	PC	
25	7.304-262.0	Hexagonal head screw M8x60-A4-70 ISO 40	1	PC	10000
24	7.311-003.0	Hexagon nut M6 -8-A2E ISO 4032	1	PC	
10	7.311-004.0	Hexagon nut M8 -8-A3E ISO 4032	1	PC	
28	7.311-027.0	Hexagon nut M 8-A4-70 ISO 7042	1	PC	10000
5	6.343-147.0	Quick-fastener	2	PC	
11	5.515-092.0	Roller	1	PC	
20	7.303-046.0	Screw M6x12 -St-R3R (In6Rd)	13	PC	
22	7.306-138.0	Screw M6x60 -8.8-R3R (In6Rd)	1	PC	
19	5.364-192.0	Seal	2	PC	
4	6.365-454.0	Sealing lip center	1	PC	
3	6.365-411.0	Sealing lip left	1	PC	
15	6.365-412.0	Sealing lip right	1	PC	
21	6.347-094.0	Spacer sleeve	1	PC	
8	5.332-400.0	Spiral spring belt stretcher	1	PC	
1	7.777-999.0	Stockpiling discontinued	1	PC	
9	7.777-999.0	Stockpiling discontinued	1	PC	
14	7.777-999.0	Stockpiling discontinued	1	PC	
18	7.777-999.0	Stockpiling discontinued	1	PC	
23	7.777-999.0	Stockpiling discontinued	1	PC	
17	7.312-003.0	Washer 6 -200HV-A3E ISO 7089	14	PC	
12	7.312-004.0	Washer 8 -200HV-A3E ISO 7089	1	PC	
27	7.312-017.0	Washer 8-A2 ISO 7089	1	PC	10000

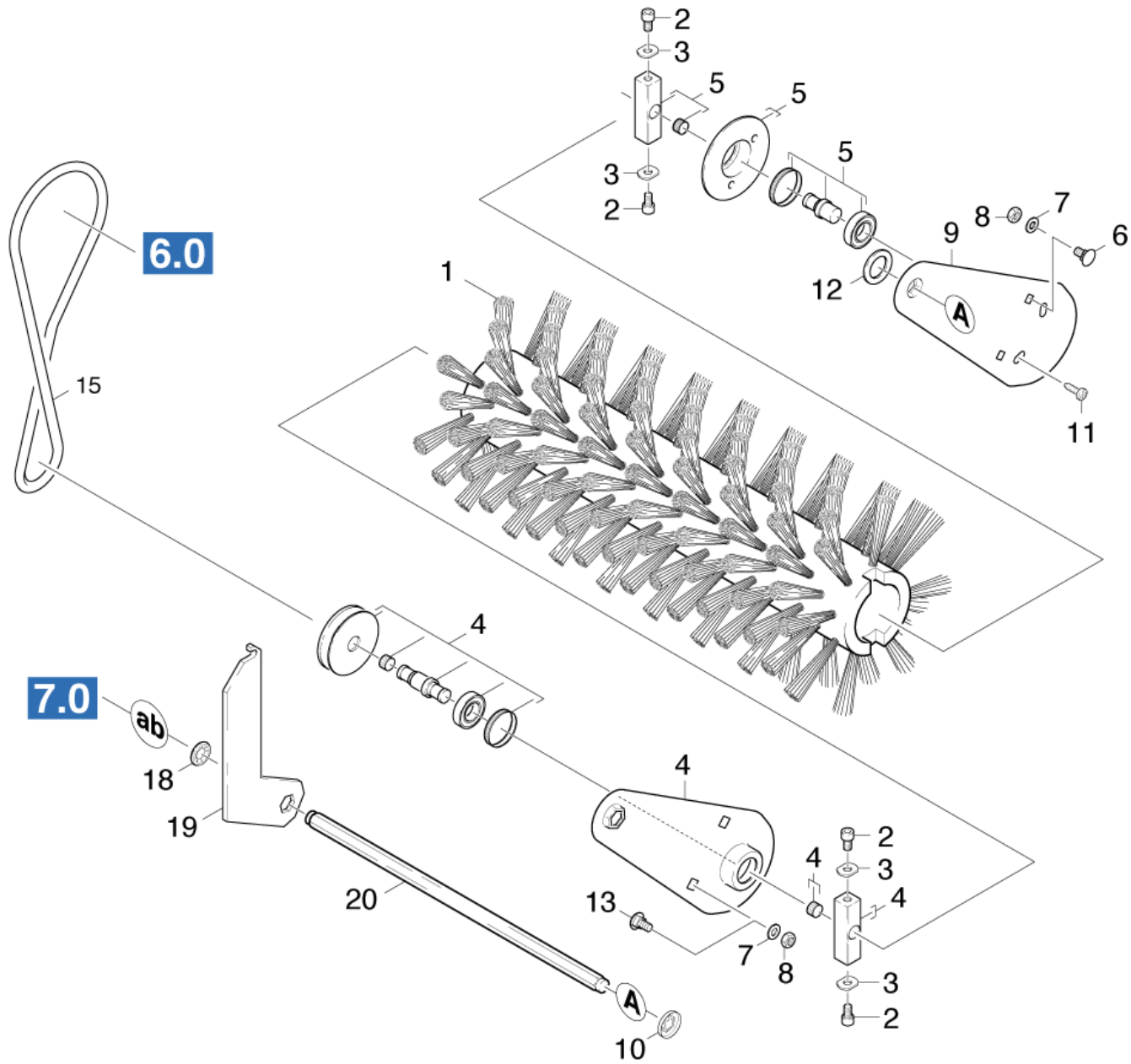


72 Sweep roller chest

POS	Article no.	Description	Quantity	Unit	valid from
38	7.401-043.0	Ball bearing 619/8-2RS -Wae.St. DIN 62	6	PC	10000
29	7.316-214.0	Bolt B 10x14 St-A2E ISO 2341	1	PC	
34	6.431-198.0	Bowden wire complete bulk waste flap	1	PC	
7	7.306-221.0	Cylinder head screw M 8x25 A2-70 DIN 7984	1	PC	
6	6.435-274.0	Deflection pulley	1	PC	
33	6.330-056.0	Extension spring	1	PC	
13	7.304-399.0	Hexagonal head screw M 8x25-8.8-A2E ISO	1	PC	
37	7.304-262.0	Hexagonal head screw M8x60-A4-70 ISO 40	1	PC	10000
35	7.311-431.0	Hexagon nut M5-1.4305 DIN 985	1	PC	
24	7.311-003.0	Hexagon nut M6 -8-A2E ISO 4032	1	PC	
10	7.311-004.0	Hexagon nut M8 -8-A3E ISO 4032	1	PC	
36	7.311-427.0	Hexagon nut M8-04-A2E DIN 985	1	PC	
40	7.311-027.0	Hexagon nut M 8-A4-70 ISO 7042	1	PC	10000
5	6.343-147.0	Quick-fastener	1	PC	
30	6.343-149.0	Quick-fastener	1	PC	
11	5.515-092.0	Roller	1	PC	
20	7.303-046.0	Screw M6x12 -St-R3R (In6Rd)	13	PC	
22	7.306-138.0	Screw M6x60 -8.8-R3R (In6Rd)	1	PC	
19	5.364-192.0	Seal	2	PC	
4	6.365-454.0	Sealing lip center	1	PC	
3	6.365-411.0	Sealing lip left	1	PC	
15	6.365-412.0	Sealing lip right	1	PC	
32	6.303-515.0	Self-tapping screw M6x25	1	PC	
8	5.332-400.0	Spiral spring belt stretcher	1	PC	
1	7.777-999.0	Stockpiling discontinued	1	PC	
9	7.777-999.0	Stockpiling discontinued	1	PC	
18	7.777-999.0	Stockpiling discontinued	1	PC	
23	7.777-999.0	Stockpiling discontinued	1	PC	
28	7.777-999.0	Stockpiling discontinued	1	PC	
14	5.190-136.0	Strip front	1	PC	
26	5.190-134.0	Strip left	1	PC	
27	5.190-135.0	Strip right	1	PC	
17	7.312-003.0	Washer 6 -200HV-A3E ISO 7089	14	PC	

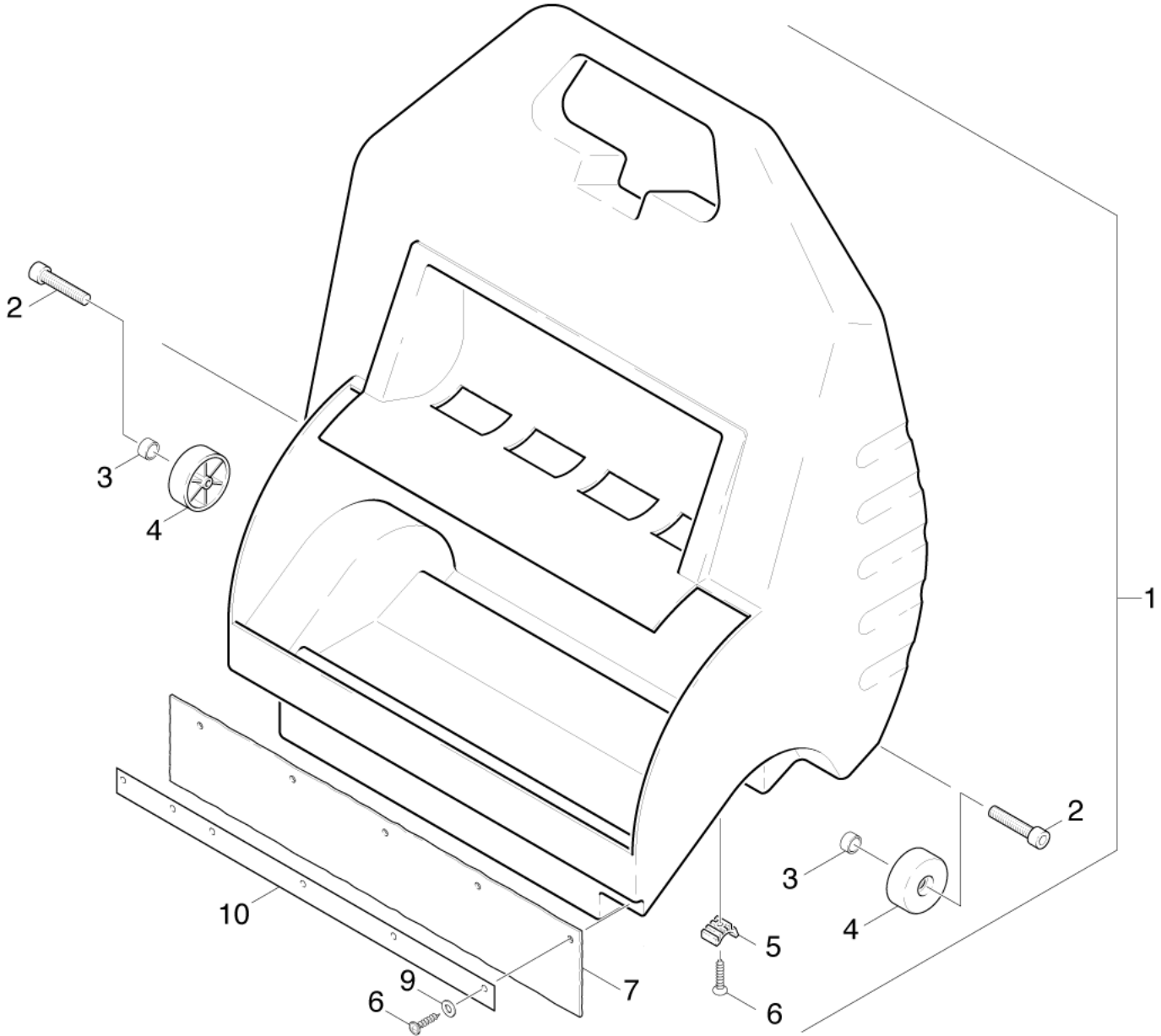
72 Sweep roller chest

POS	Article no.	Description	Quantity	Unit	valid from
12	7.312-004.0	Washer 8 -200HV-A3E ISO 7089	2	PC	
39	7.312-017.0	Washer 8-A2 ISO 7089	8	PC	10000
31	7.312-074.0	Washer 10 -CuZn ISO 7092	1	PC	



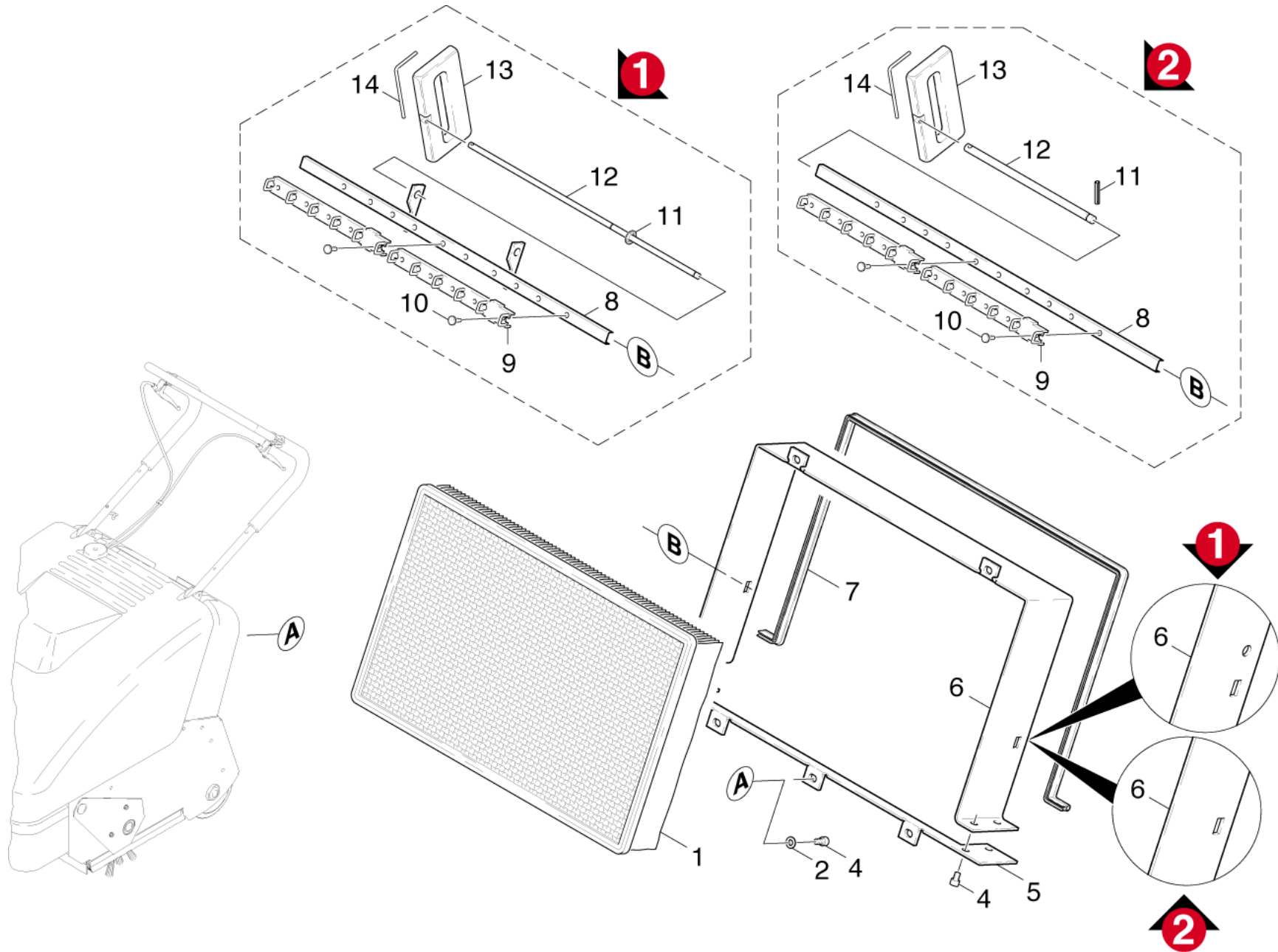
80 Reversing rolling mill

POS	Article no.	Description	Quantity	Unit
2	7.306-041.0	Cylinder head screw M8x20 -8.8-A2E ISO	4	PC
8	7.311-427.0	Hexagon nut M8-04-A2E DIN 985	4	PC
10	6.343-175.0	Quick-fastener	1	PC
18	6.343-202.0	Quick-fastener	1	PC
1	6.905-868.0	Reversing rolling mill hard -550 BREIT	1	PC
1	6.905-587.0	Reversing rolling mill middle	1	PC
1	6.905-870.0	Reversing rolling mill soft nature 550mm	1	PC
15	6.348-283.0	Round belt D10	1	PC
13	7.303-193.0	Saucer-head screw M8x16 -4.6-A0P DIN 603	2	PC
6	7.303-204.0	Saucer-head screw M8x20 -4.8-ZNBHL DIN 603	2	PC
11	7.303-068.0	Screw M8x20 -St-R3R (In6Rd)	2	PC
3	5.047-121.0	Sheet metal component retainer reversing	4	PC
4	7.777-999.0	Stockpiling discontinued	1	PC
5	7.777-999.0	Stockpiling discontinued	1	PC
9	7.777-999.0	Stockpiling discontinued	1	PC
19	7.777-999.0	Stockpiling discontinued	1	PC
20	7.777-999.0	Stockpiling discontinued	1	PC
12	6.312-069.0	Washer	1	PC
7	7.312-277.0	Washer 8-200HV-A2E ISO 7093-1	4	PC



90 Sweep tank

POS	Article no.	Description	Quantity	Unit
6	6.303-057.0	Countersunk screw 5,0X 16-ST-A2R	9	PC
2	7.306-268.0	Screw M6x70 -8.8-R3R (In6Rd)	2	PC
7	6.365-395.0	Sealing lip rear	1	PC
5	5.031-157.0	Slide part sweep tank	3	PC
1	7.777-999.0	Stockpiling discontinued	1	PC
3	7.777-999.0	Stockpiling discontinued	2	PC
10	7.777-999.0	Stockpiling discontinued	1	PC
9	7.312-291.0	Washer 6-200HV-P2R ISO 7093-1	6	PC
4	5.515-068.0	Wheel	2	PC



100 Vibrator

POS	Article no.	Description	Quantity	Unit	Remark
12	5.107-199.0	Bar	1	PC	VERSION 2
12	5.107-162.0	Bar vibrator	1	PC	VERSION 1
11	7.316-342.0	Cotter 3,2x20 -St-A2E ISO 1234	1	PC	VERSION 2
1	5.731-585.0	FILTER (WASHABLE)	1	PC	
13	5.322-022.0	Handhold filter remove	1	PC	
14	5.037-061.0	Hook	1	PC	
11	7.343-302.0	Lock washer 8 -St-ph DIN 6799	2	PC	VERSION 1
10	6.315-068.0	Rivet	10	PC	
7	5.364-170.0	Seal	1	PC	
4	6.303-158.0	Self-tapping screw cylinder head M6x12	9	PC	
5	7.777-999.0	Stockpiling discontinued	1	PC	
6	7.777-999.0	Stockpiling discontinued	1	PC	VERSION 1
6	7.777-999.0	Stockpiling discontinued	1	PC	VERSION 2
8	7.777-999.0	Stockpiling discontinued	1	PC	VERSION 2
8	7.777-999.0	Stockpiling discontinued	1	PC	VERSION 1
9	5.030-900.0	Stripper	2	PC	
2	7.312-003.0	Washer 6 -200HV-A3E ISO 7089	5	PC	