

Spare parts list

(1.394-214.0) BV 5/1 *AU

Table of contents

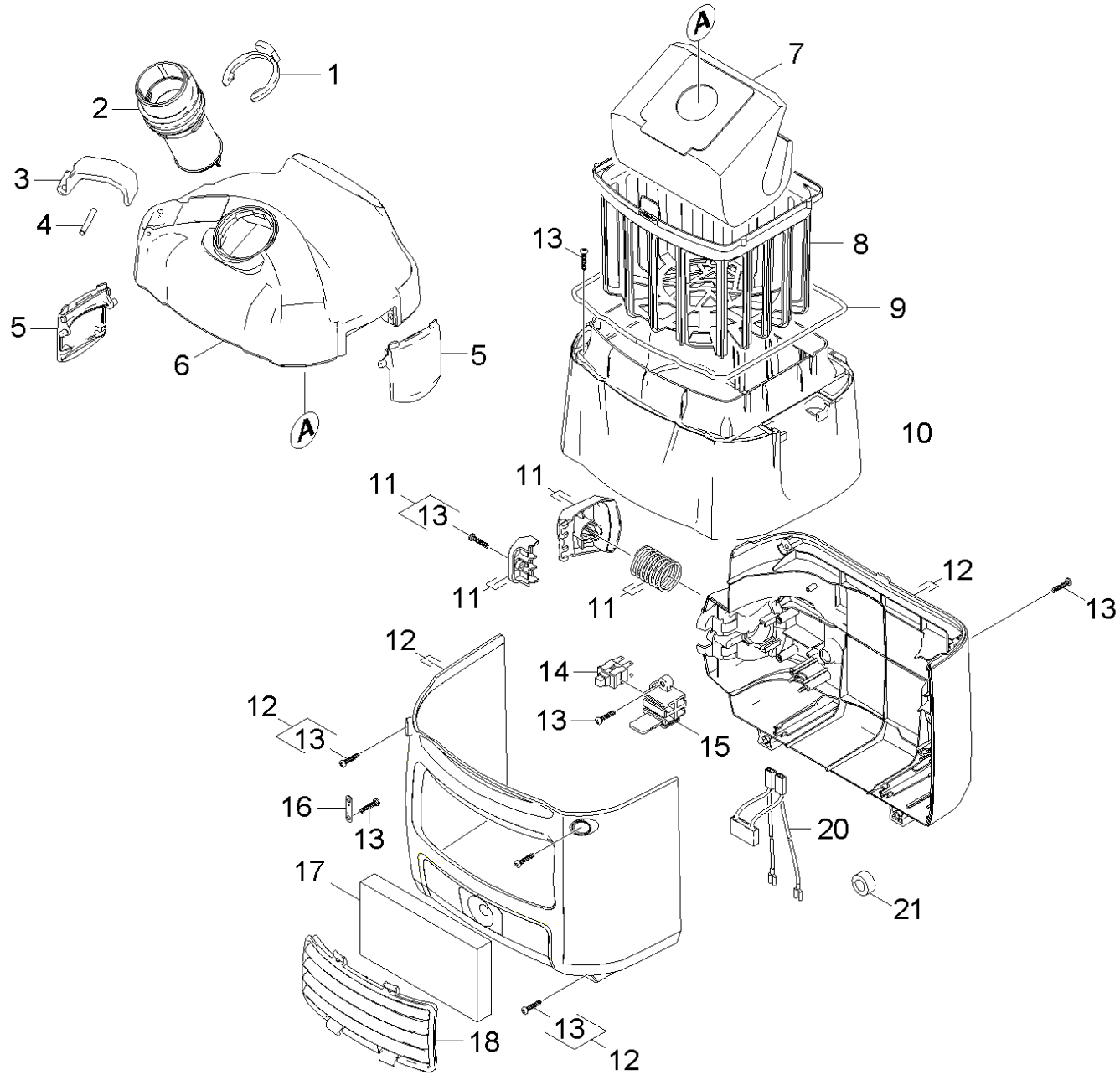
BV 5/1 *AU (1.394-214.0)	3
5 Spare parts list BV 5/1 *AU (5.972-385.0)	4
10 Tank	5
20 Vacuum motor	7
30 Belt	9
40 Accessories	11

BV 5/1 *AU (1.394-214.0)

POS	Article no.	Description	Quantity	Unit
5	5.972-385.0	Spare parts list BV 5/1 *AU	1.000	ST

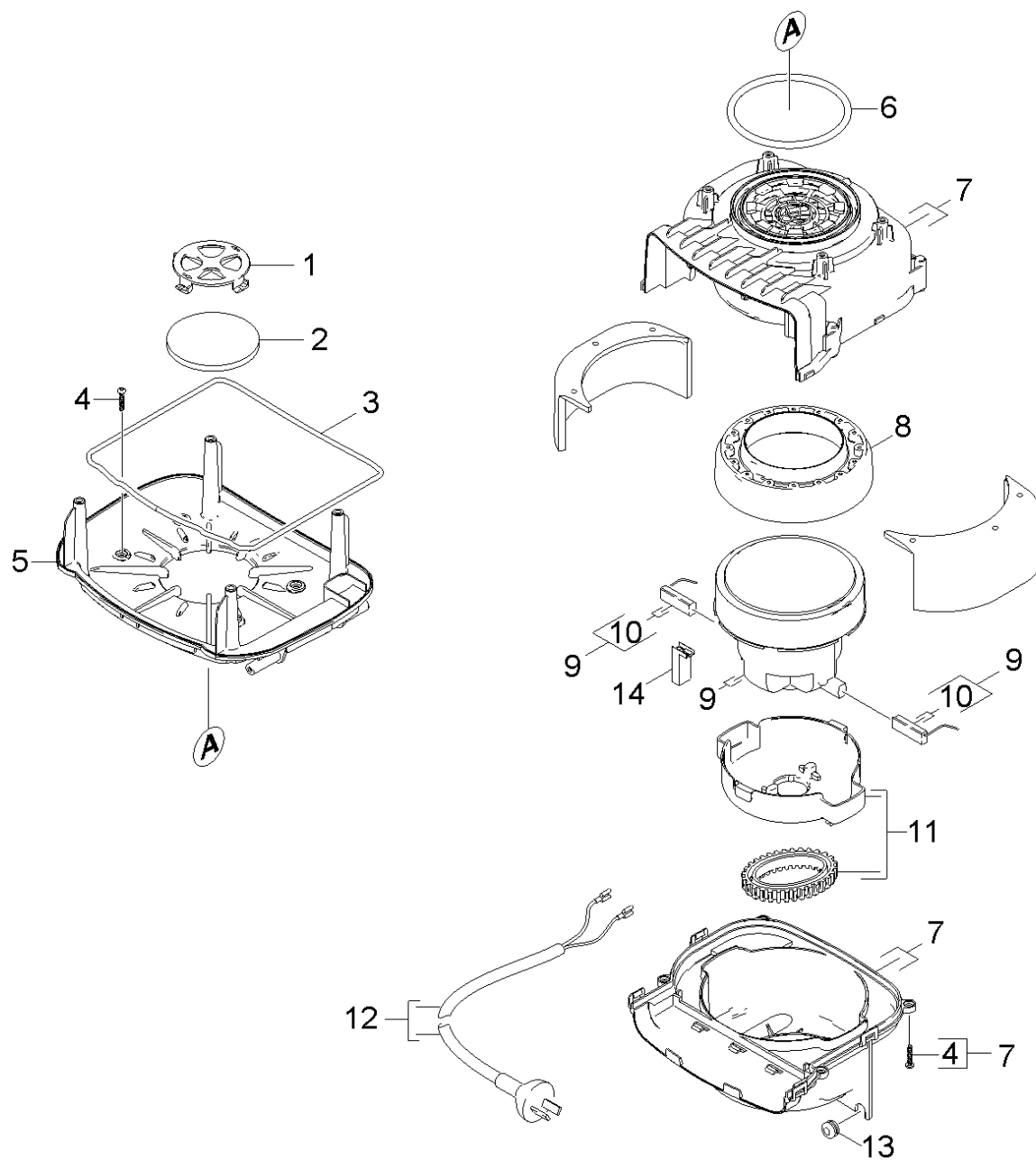
5 Spare parts list BV 5/1 *AU (5.972-385.0)

POS	Description	Quantity	Unit
40	Accessories	1.000	ST
30	Belt	1.000	ST
10	Tank	1.000	ST
20	Vacuum motor	1.000	ST



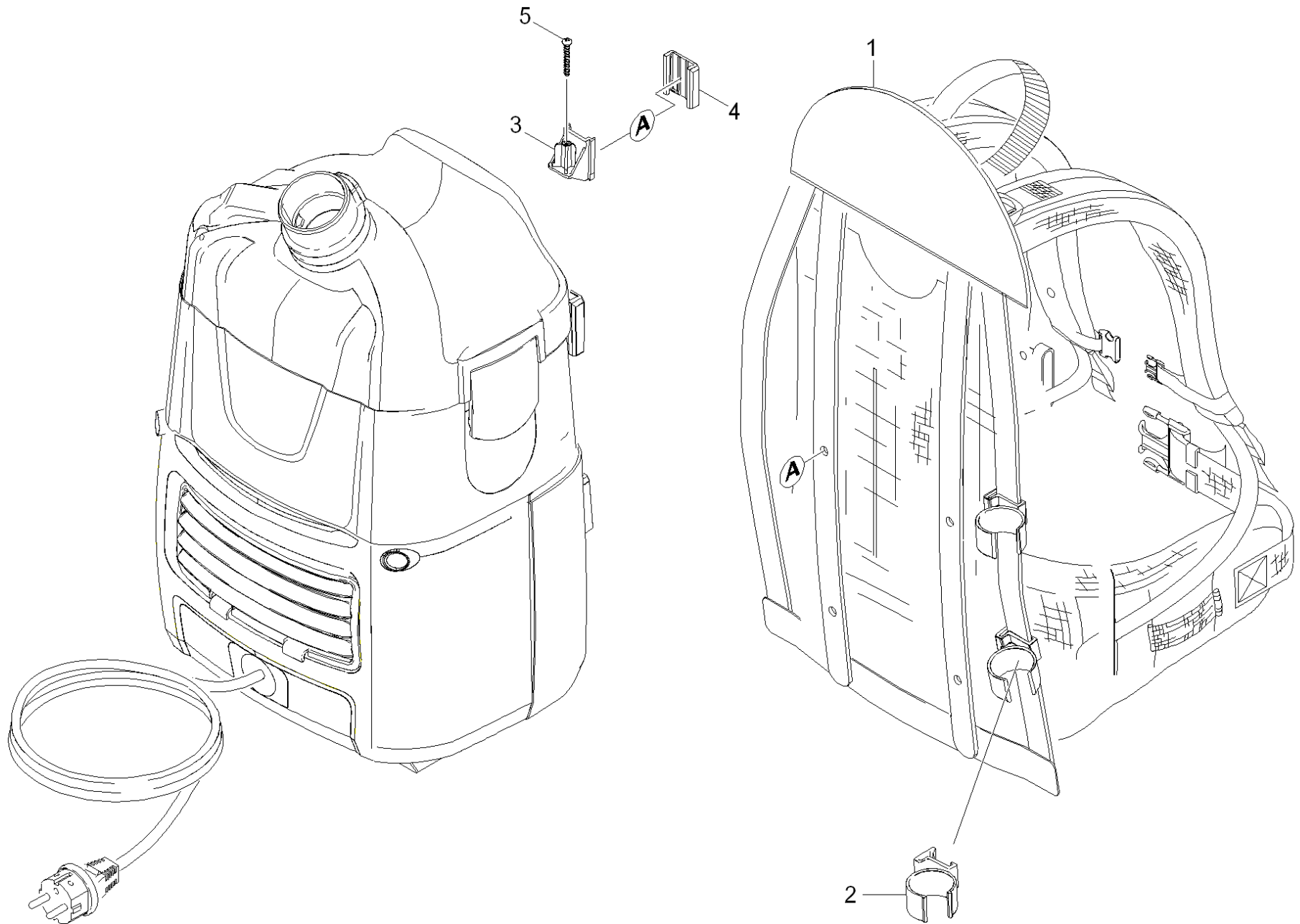
10 Tank

POS	Article no.	Description	Quantity	Unit	Serial number from	Serial number to
17	6.414-906.0	Blowing filter only for replacement	1.000	ST		
4	5.317-231.0	Bolt hook	1.000	ST		
16	6.903-241.0	Clamp clip	1.000	ST		
6	5.069-206.0	Cover RAL 9005	1.000	ST		
20	4.839-439.0	Electrical small parts BV 5/1	1.000	ST		
21	6.346-043.0	Ferrite ring	1.000	ST		
7	6.904-335.0	Filter bags fleece 10 Stck Kärcher	1.000	ST		
8	5.731-632.0	Filtering basket packaged	1.000	ST		
18	5.033-650.0	Grate exhaust opening qusty grey RAL 703	1.000	ST		
15	5.033-141.0	Holder switch	1.000	ST		
3	5.037-180.0	Hook yellow	1.000	ST		
12	4.605-147.0	Housing complete RAL 7012	1.000	ST		
5	5.032-568.0	Locking clip	2.000	ST		
1	5.343-022.0	Locking ring	1.000	ST		
11	4.324-055.0	Pushbutton complete BV 5/1	1.000	ST		
13	7.303-084.0	Screw 4x25 -10.9-R2R (K-In6Rd)	15.000	ST		
9	6.273-266.0	Seal string cellular rubber D4	1.000	ST		
2	5.033-140.0	Suction connection	1.000	ST		549999
2	5.034-162.0	Suction connection BV 5/1	1.000	ST	550000	
14	6.630-437.0	Switch on/off	1.000	ST		
10	4.070-988.0	Tank for replacement BV 5/1 +Bp	1.000	ST		



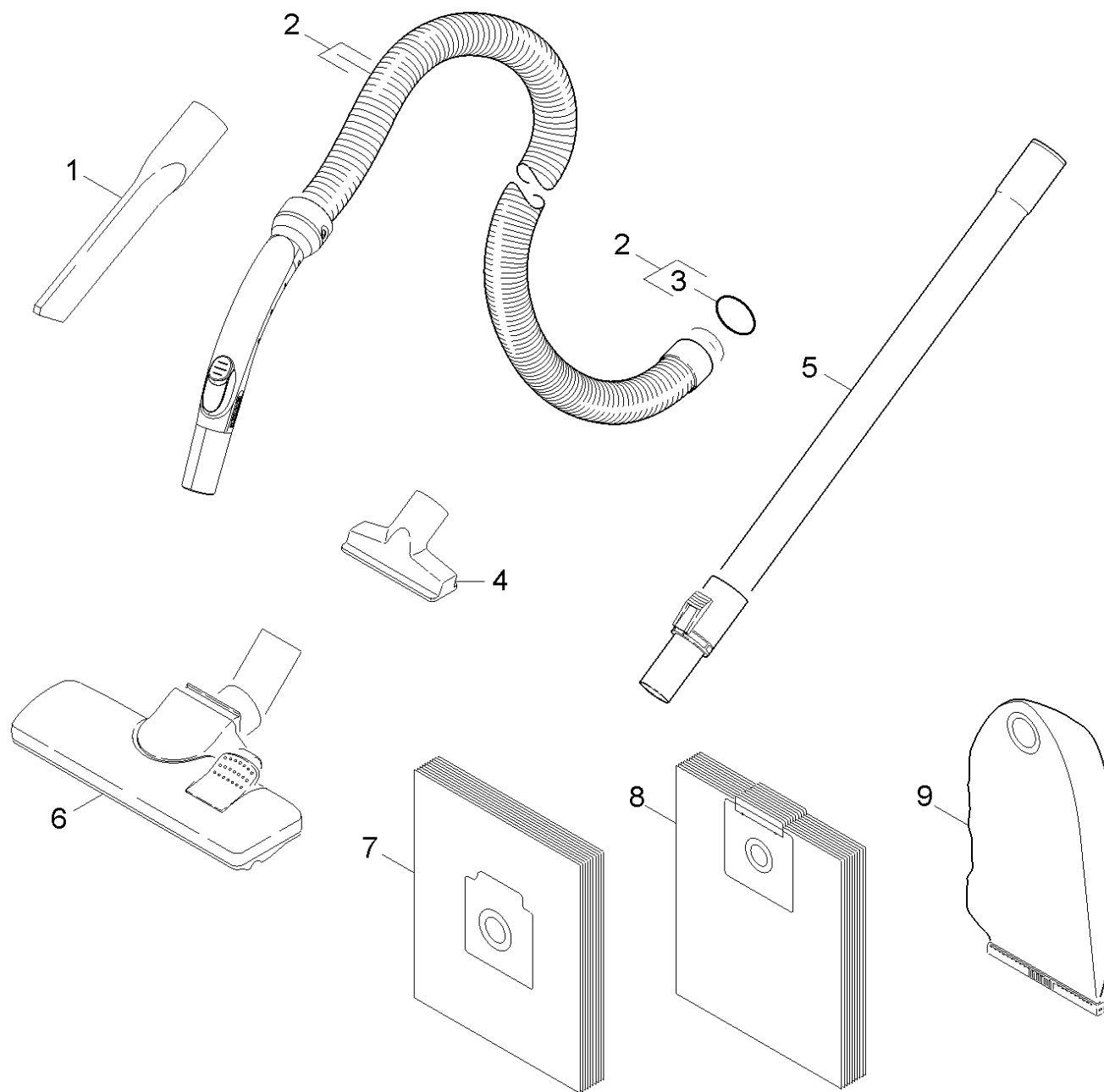
20 Vacuum motor

POS	Article no.	Description	Quantity	Unit	Remark
8	5.363-618.0	Bearing motor bottom T12/1	1.000	ST	
13	6.647-365.0	Cable gland	2.000	ST	
10	6.610-258.0	Carbon brush set	2.000	ST	
2	6.414-611.0	Filter 5 St.	1.000	ZSA	
1	5.032-674.0	Grate filter motor protecting	1.000	ST	
7	4.605-094.0	Housing motor complete	1.000	ST	
11	4.605-071.0	Housing turbine complete	1.000	ST	
12	6.649-501.0	Power cable 15m PVC *AU	1.000	ST	*EU
4	7.303-084.0	Screw 4x25 -10.9-R2R (K-In6Rd)	8.000	ST	
3	6.273-272.0	Seal string cellular rubber D2,5	1.000	ST	
6	6.273-267.0	Seal string cellular rubber D6	1.000	ST	
5	5.071-361.0	Tank bottom RAL 7012	1.000	ST	
14	6.490-268.0	Thermal switch 130°C	1.000	ST	
9	4.610-066.0	Vacuum motor complete	1.000	ST	



30 Belt

POS	Article no.	Description	Quantity	Unit
2	5.033-940.0	Clip yellow	2.000	ST
4	5.033-330.0	Covering cap	4.000	ST
1	9.411-061.0	Frame	1.000	ST
3	5.044-881.0	Holder frame	4.000	ST
5	7.303-129.0	Screw 4x16 -10.9-R2R (K-In6Rd)	2.000	ST



40 Accessories

POS	Article no.	Description	Quantity	Unit
6	6.906-211.0	Combination nozzle DN32	1.000	ST
1	6.903-403.0	Crevice nozzle DN32	1.000	ST
9	6.904-425.0	Filter bag cloth	1.000	ST
8	6.904-335.0	Filter bags fleece 10 Stck Kärcher	1.000	ST
3	6.363-182.0	O-Ring seal 30,2 x 3,0	1.000	ST
7	6.904-403.0	Paper filtering bag Basic 10 Stck.	1.000	ST
2	9.418-507.0	Suction hose complete	1.000	ST
5	6.903-524.0	Telescopic suction tube	1.000	ST
4	6.903-402.0	Upholstery nozzle DN32	1.000	ST