

## **Spare parts list**

(1.545-108.0) EB 30/1 Professional\*EU

## Table of contents

---

EB 30/1 Professional*EU (1.545-108.0)	3
1 Spare parts list EB 30/1 (5.970-497.0)	4
10 Individual parts	5
20 Locking part completely	8

EB 30/1 Professional\*EU (1.545-108.0)

---

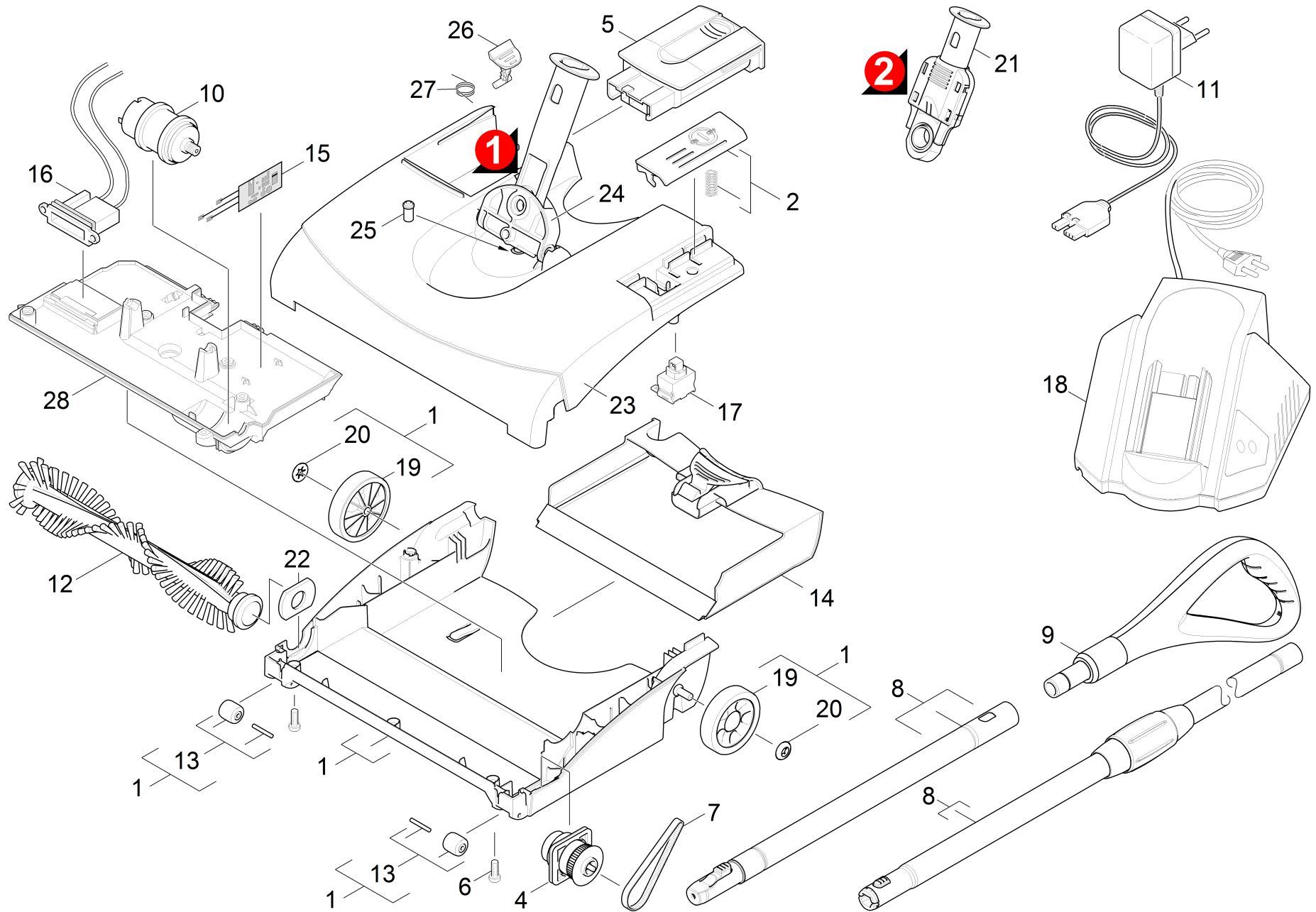
<b>POS</b>	<b>Article no.</b>	<b>Description</b>	<b>Quantity</b>	<b>Unit</b>
1	5.970-497.0	Spare parts list EB 30/1	1.000	ST

## 1 Spare parts list EB 30/1 (5.970-497.0)

---

<b>POS</b>	<b>Description</b>	<b>Quantity</b>	<b>Unit</b>
10	Individual parts	1.000	ST
20	Locking part completely	1.000	ST

10 Individual parts

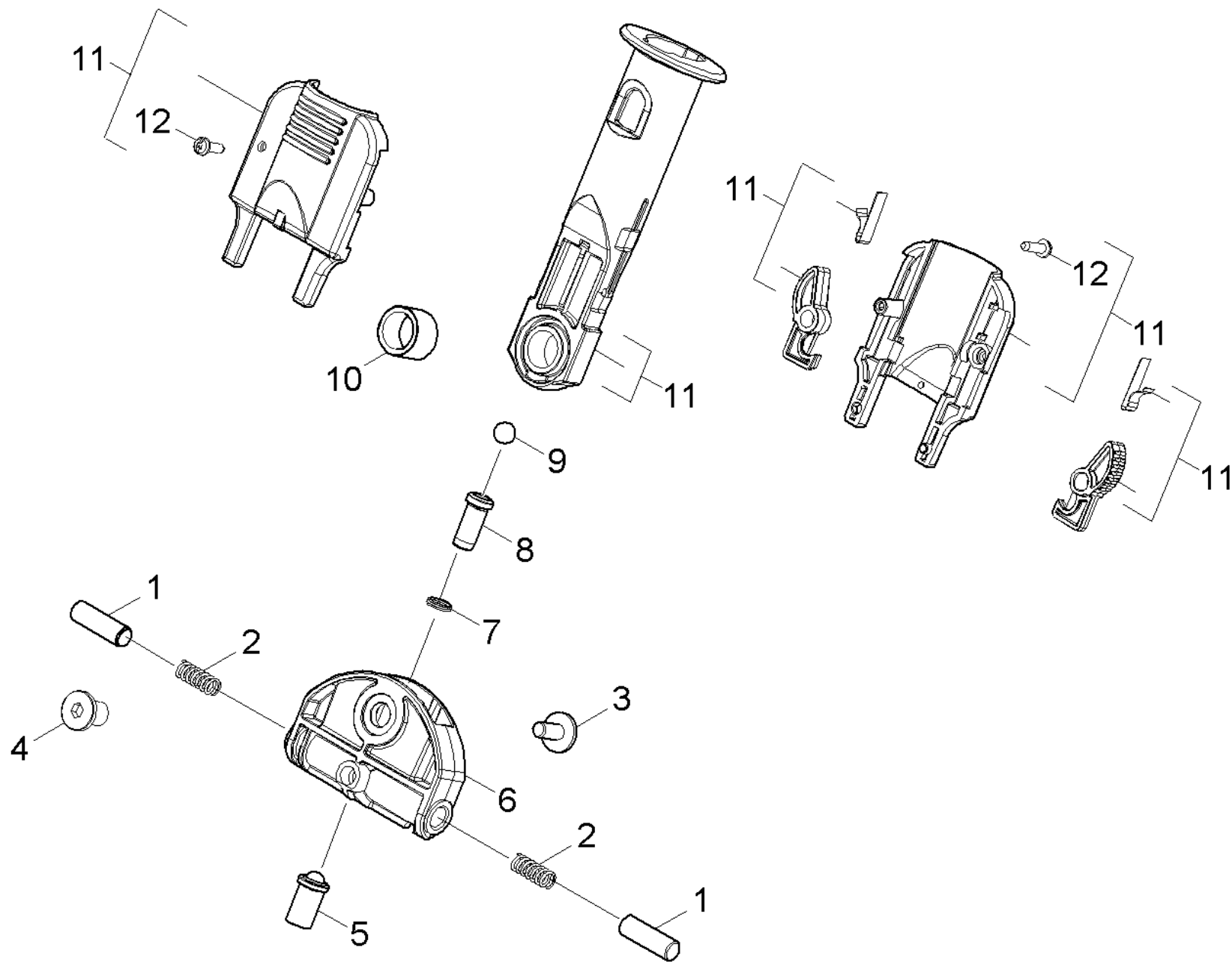


## 10 Individual parts

POS	Article no.	Description	Quantity	Unit	Remark	Foot note text
5	4.654-259.0	Accumulator packaged	1.000	ST		
	<b>Item text1:</b> 1.545-100/-102/-103/-107/-108/-109/-111					
5	4.654-273.0	Accumulator packaged Li-Ion	1.000	ST	1,3Ah	
	<b>Item text1:</b> 1.545-114.0 / -115.0 / -116.0 / -117.0					
	<b>Item text2:</b> / -118.0					
5	4.654-283.0	Accumulator packaged Li-Ion Professional	1.000	ST	2,6Ah	
	<b>Item text1:</b> 1.545-117					
22	5.008-775.0	Bearing plate left	1.000	ST		
1	4.081-005.0	Bottom part complete	1.000	ST	1.545-117/-118/-119/-120	
28	5.033-102.0	Covering cap inside	1.000	ST		
16	4.822-434.0	Electrical small parts complete	1.000	ST		
15	4.682-092.0	Electronics complete	1.000	ST		
	<b>Item text1:</b> 1.545-104.0					
9	4.070-606.0	Hand grip complete	1.000	ST		
24	5.605-314.0	Joint	1.000	ST		
27	6.330-254.0	Leg spring	1.000	ST		
21	4.672-201.0	Locking part complete	2.000	ST		YELLOW
21	4.672-181.0	Locking part complete	2.000	ST		BLACK
20	6.343-187.0	Lock washer	2.000	ST		
11	6.646-668.0	Mains-adapter *AU	1.000	ST		
	<b>Item text1:</b> 1.545-111					
11	6.646-649.0	Mains-adapter *EUR	1.000	ST		
	<b>Item text1:</b> 1.545-100					
11	6.646-667.0	Mains-adapter *GB	1.000	ST		
	<b>Item text1:</b> 1.545-102					
11	6.646-670.0	Mains-adapter 120V	1.000	ST		
	<b>Item text1:</b> 1.545-104.0					
11	6.646-861.0	Mains-adapter Li-Ion *EU	1.000	ST		
	<b>Item text1:</b> 1.545-115.0 Li-Ion					
10	4.623-750.0	Motor complete	1.000	ST		
26	5.324-088.0	Pushbutton locking part accumulator	1.000	ST		
2	4.324-047.0	Pushbutton with spring	1.000	ST		YELLOW

## 10 Individual parts

POS	Article no.	Description	Quantity	Unit	Remark	Foot note text
2	4.324-024.0	Pushbutton with spring	1.000	ST		BLACK
18	6.654-190.0	Rechargeable battery changer *EU BC 1/1.	1.000	ST	/*EUR	
	<b>Item text1:</b> 1.545-108/-114/-115/-117 Li-Ion					
18	6.654-197.0	Rechargeable battery changer 120 V BC 1/	1.000	ST		
	<b>Item text1:</b> 1.545-104.0					
18	6.654-196.0	Rechargeable battery changer carton four	1.000	ST		
	<b>Item text1:</b> 1.545-109/-116/-118 Li-Ion					
18	6.654-199.0	Rechargeable battery changer carton four	1.000	ST		
	<b>Item text1:</b> 1.545 -112.0 / -120.0					
18	6.654-201.0	Rechargeable battery changer carton four	1.000	ST		
	<b>Item text1:</b> 1.545 -111.0 / -119.0					
12	4.762-400.0	Roller brush packaged	1.000	ST		BLACK
12	4.762-401.0	Roller brush red packaged	1.000	ST		RED
13	4.880-058.0	Roller set	1.000	ST		
6	7.303-129.0	Screw 4x16 -10.9-R2R (K-In6Rd)	11.000	ST		
11	7.777-999.0	Stockpiling discontinued	1.000	ST		
	<b>Item text1:</b> 1.545-107					
14	4.070-588.0	Sweep tank complete	1.000	ST		BLACK
14	4.070-804.0	Sweep tank complete	1.000	ST	1.545-117/-118/-119/-120	BLACK/YELLOW
17	6.630-413.0	Switch	1.000	ST		
25	4.110-013.0	Thrust piece springy	1.000	ST		
7	6.348-427.0	Toothed belt	1.000	ST		
23	5.080-028.0	Top part	1.000	ST	1.545-117/-118/-119/-120	GREY
23	5.080-022.0	Top part	1.000	ST		YELLOW
4	4.454-000.3	Transmission	1.000	ST		
8	4.070-598.0	Tube complete	1.000	ST		BLACK
8	4.070-813.0	Tube completely	1.000	ST	1.545-117/-118/-119/-120	YELLOW
19	5.515-276.0	Wheel	2.000	ST		YELLOW
19	5.515-000.0	Wheel grey	2.000	ST	1.545-117/-118/-119/-120	GREY





## 20 Locking part completely

POS	Article no.	Description	Quantity	Unit	Remark	Foot note text
8	5.112-774.0	Ball bushing	1.000	ST		
1	5.100-497.0	Bolt bearing	2.000	ST		
6	5.605-314.0	Joint	1.000	ST		
11	4.672-181.0	Locking part complete	1.000	ST	schwarz	VERSION 1
11	4.672-201.0	Locking part complete	1.000	ST	gelb	VERSION 2
4	6.311-016.0	Nut M 6-St-gal Ni	1.000	ST		
7	5.332-551.0	Pressure spring	1.000	ST		
2	5.332-543.0	Pressure spring	2.000	ST		
12	6.303-318.0	Screw 3,5x12-10.9-R2R (IN6RD)	2.000	ST		
3	6.303-492.0	Screw M6x12-St-gal Zn	1.000	ST		
10	5.112-773.0	Spacer sleeve	1.000	ST		
9	7.401-916.0	Sphere 8,0 G10 -1.4034 DIN 5401	1.000	ST		
5	4.110-013.0	Thrust piece springy	1.000	ST		