

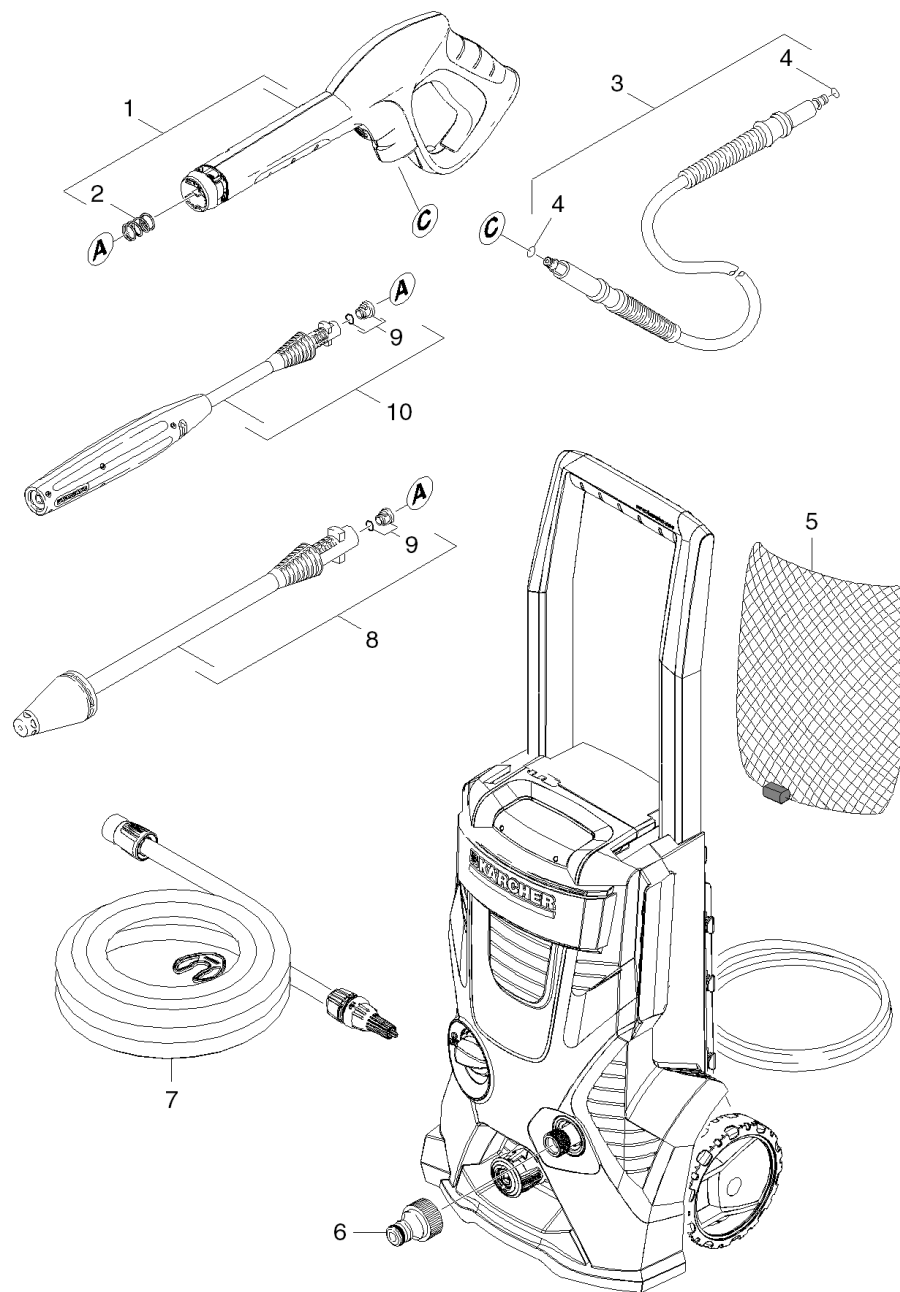
Spare parts list

Short spare parts list

Table of contents

Short spare parts list

3



Short spare parts list

POS	Preces Nr.	Apraksts	Quantity	Unit
5	6.276-045.0	accessories mains	1.000	ST
6	6.465-031.0	connection	1.000	ST
8	4.764-281.0	Dirt blaster 031 St - CEM 14,5MPa	1.000	ST
1	2.642-889.0	G 180 Q Trigger gun Quick Connect	1.000	ST
4	6.363-410.0	Gredzenblīve 5,7x1,78 NBR 90Shore	2.000	ST
3	6.392-321.0	High pressure hose 14.5MPa/7.5 40°C QC E	1.000	ST
9	2.640-729.0	O-Ring seal set	2.000	ST
2	5.332-464.0	Pressure spring	1.000	ST
7	2.643-100.0	SH 5 suction hose	1.000	ST
10	4.760-534.0	VPS spare part	1.000	ST