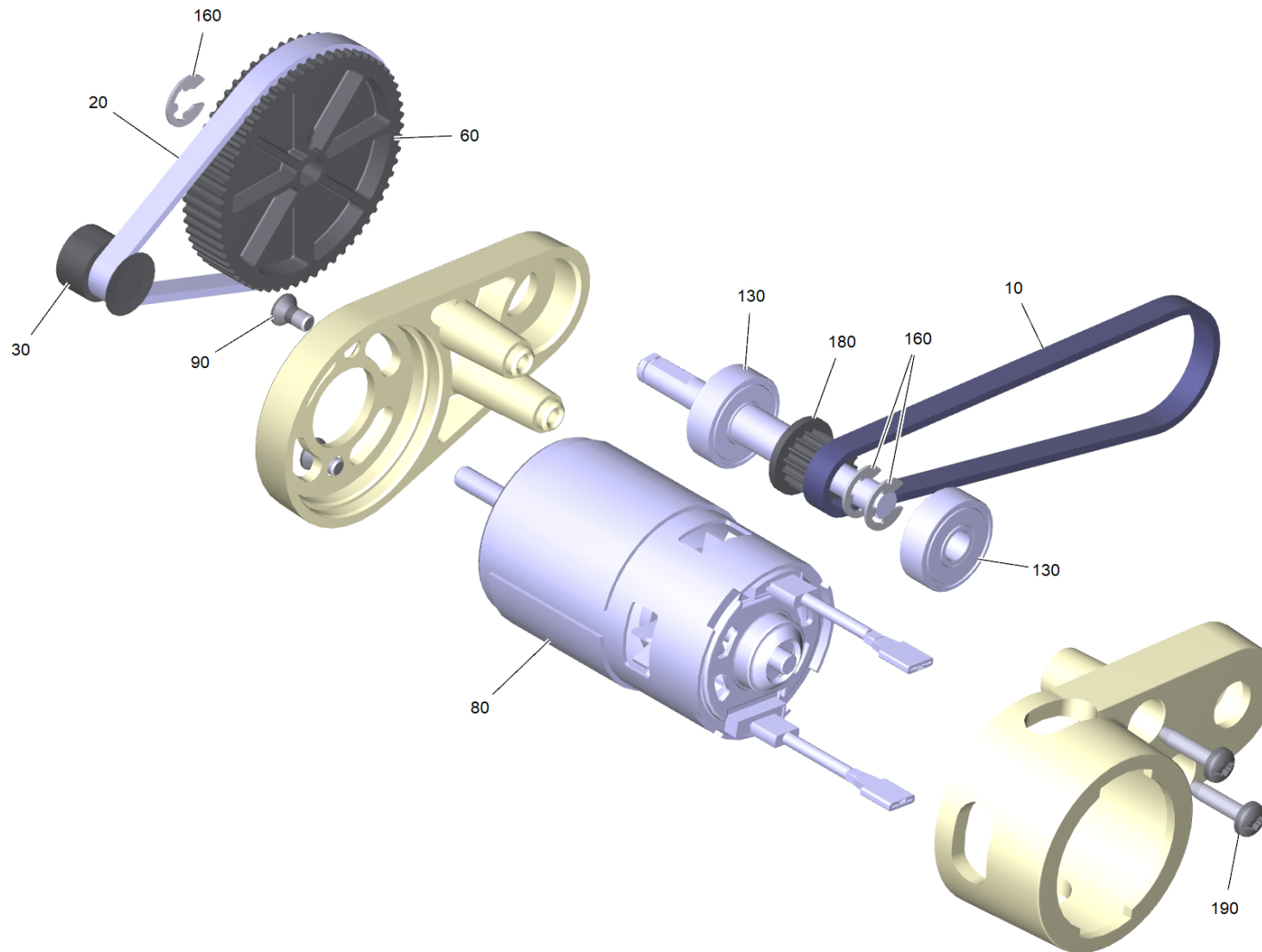


10 Gear for replacement (4.030-071.0)

Professional \ Floor cleaner \ Compact \ BR 30/1 C Bp Pack 18/30 *EU \ Brush-head \ Gear complete \ Gear for replacement



10 Gear for replacement (4.030-071.0)

Professional \ Floor cleaner \ Compact \ BR 30/1 C Bp Pack 18/30 *EU \ Brush-head \ Gear complete \ Gear for replacement

KÄRCHER

POS	Article no.	Description	Quantity	Unit
130	6.030-006.0	Ball bearing replacement 627-2RS	2	PC
30	6.030-001.3	Belt wheel replacement	1	PC
180	5.055-554.3	Belt wheel replacement z15	1	PC
90	7.305-016.0	Countersunk screw M4x8-ST-10.9-P2R (IN6RD)	2	PC
60	5.030-037.3	Gear wheel replacement	1	PC
160	7.343-201.0	Lock washer 6-FST-PHR DIN 6799	3	PC
80	6.030-002.3	Motor replacement 18V	1	PC
190	7.303-033.0	Screw M4x16-ST-P2R (KOMBI-IN6RD)	2	PC
10	6.348-450.0	Toothed belt HP-267-3M	1	PC
20	6.348-048.0	Toothed belt HTD	1	PC