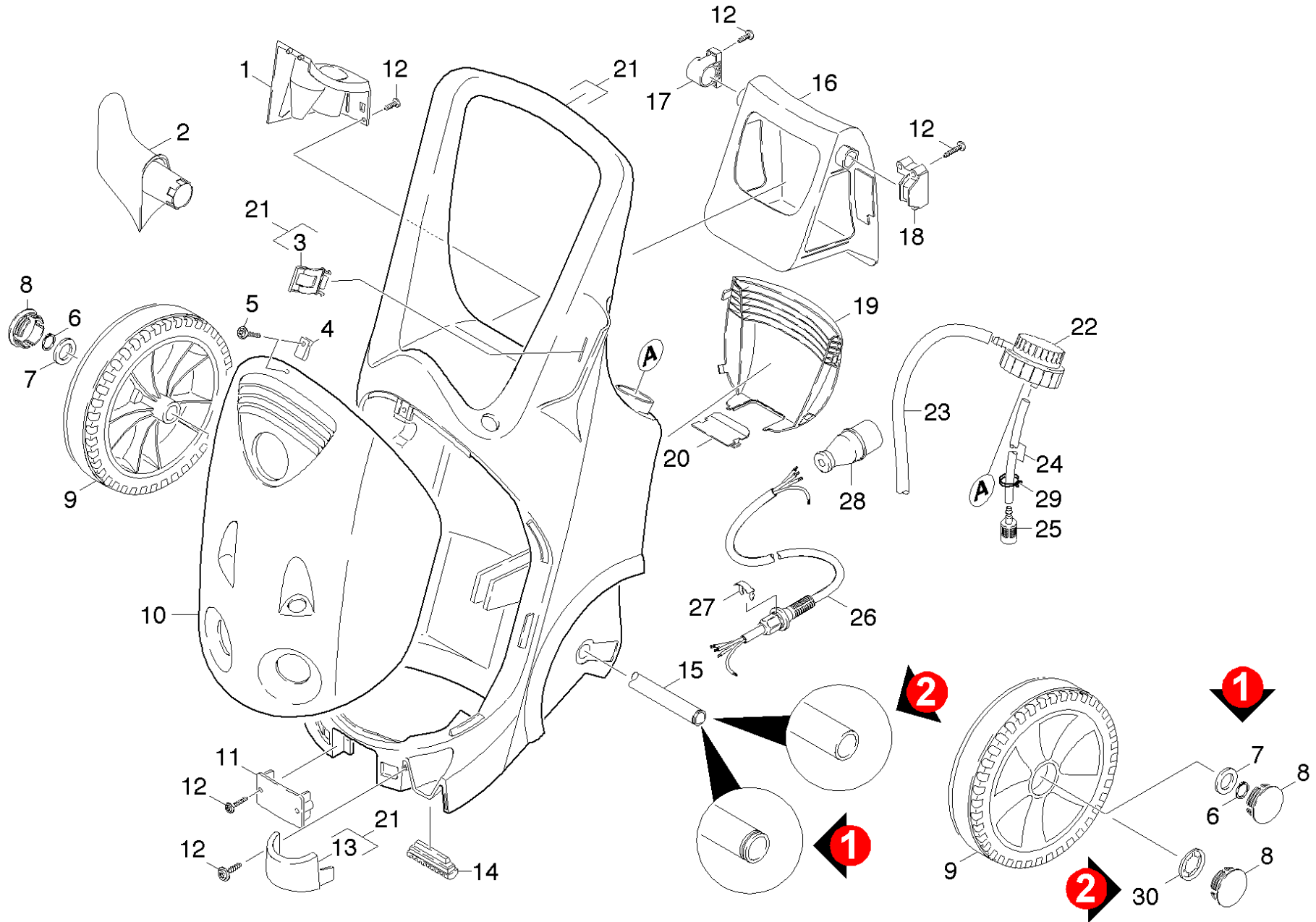


10 Individual parts

Professional \ High pressure cleaner cold water \ Electric motor \ HD 10/25 S *EUR-II \ Spare parts list HD 10/25 S \ Individual parts



10 Individual parts

Professional \ High pressure cleaner cold water \ Electric motor \ HD 10/25 S *EUR-II \ Spare parts list HD 10/25 S \ Individual parts

POS	Article no.	Description	Quantity	Unit	Remark	Foot note text
1	5.667-061.0	Nozzle holder	1.000	ST		
2	5.044-668.0	Holder	1.000	ST		
3	5.044-666.0	Holder jet pipe	1.000	ST		
4	6.310-053.0	Putting nut	1.000	ST		
5	6.304-099.0	Saucer-head screw M 6x 18-4.8-R2R	1.000	ST		
6	7.343-008.0	Locking ring 25x1,2-St-vz DIN 471	2.000	ST	VERSION 1	
7	7.312-060.0	Washer 24-100HV-A3E ISO 7091	2.000	ST	VERSION 1	
8	5.392-038.0	Wheel cap	1.000	ST		
9	4.515-092.0	Wheel complete	2.000	ST		
10	5.069-035.0	Cover HD-Basis/Superklasse	1.000	ST		
11	5.032-463.0	Covering cap hose guide	1.000	ST		
12	7.303-110.0	Screw 5x35 -10.9-R2R (In6Rd)	8.000	ST		
13	5.013-091.0	Funnel	1.000	ST		
14	5.057-062.0	Support	2.000	ST		
15	5.033-342.0	Axle	1.000	ST	VERSION 2	
15	5.029-000.0	Axle	1.000	ST	VERSION 1	
16	5.032-426.0	Covering cap	1.000	ST		
17	5.251-049.0	Bearing support right	1.000	ST		
18	5.251-048.0	Bearing support left	1.000	ST		
19	5.032-406.0	Covering cap	1.000	ST		
20	5.032-413.0	Covering cap drawer	1.000	ST		
21	4.050-601.0	Frame complete	1.000	ST		
22	4.580-608.0	Proportioning valve chemistry	1.000	ST		
23	6.388-194.0	Hose DN 7	1.000	M		TO ORDER AS CUT GOODS
24	6.388-216.0	Hose DN 5	1.000	M		TO ORDER AS CUT GOODS
25	5.731-652.0	Filter with weight	1.000	ST		
26	6.648-814.0	Cable complete	1.000	ST		
	Item text1: / 1.286-102.0 / -202.0					
26	6.648-773.0	Cable complete	1.000	ST		
	Item text1: / 1.286-101.0 / -104.0 / -201.0					
27	6.343-186.0	Locking ring	1.000	ST		
28	6.646-030.0	Plug CEE ,16A,400V,5p,IP44	1.000	ST		
	Item text1: / 1.286-101.0 / -201.0					

10 Individual parts

Professional \ High pressure cleaner cold water \ Electric motor \ HD 10/25 S *EUR-II \ Spare parts list HD 10/25 S \ Individual parts



POS	Article no.	Description	Quantity	Unit	Remark	Foot note text
28	6.646-044.0	Plug CEE-32 A	1.000	ST		
	Item text1: / 1.286-102.0 / -202.0					
29	6.389-567.0	Hose clip	1.000	ST		
30	6.343-162.0	Lock washer -25	2.000	ST	VERSION 2	