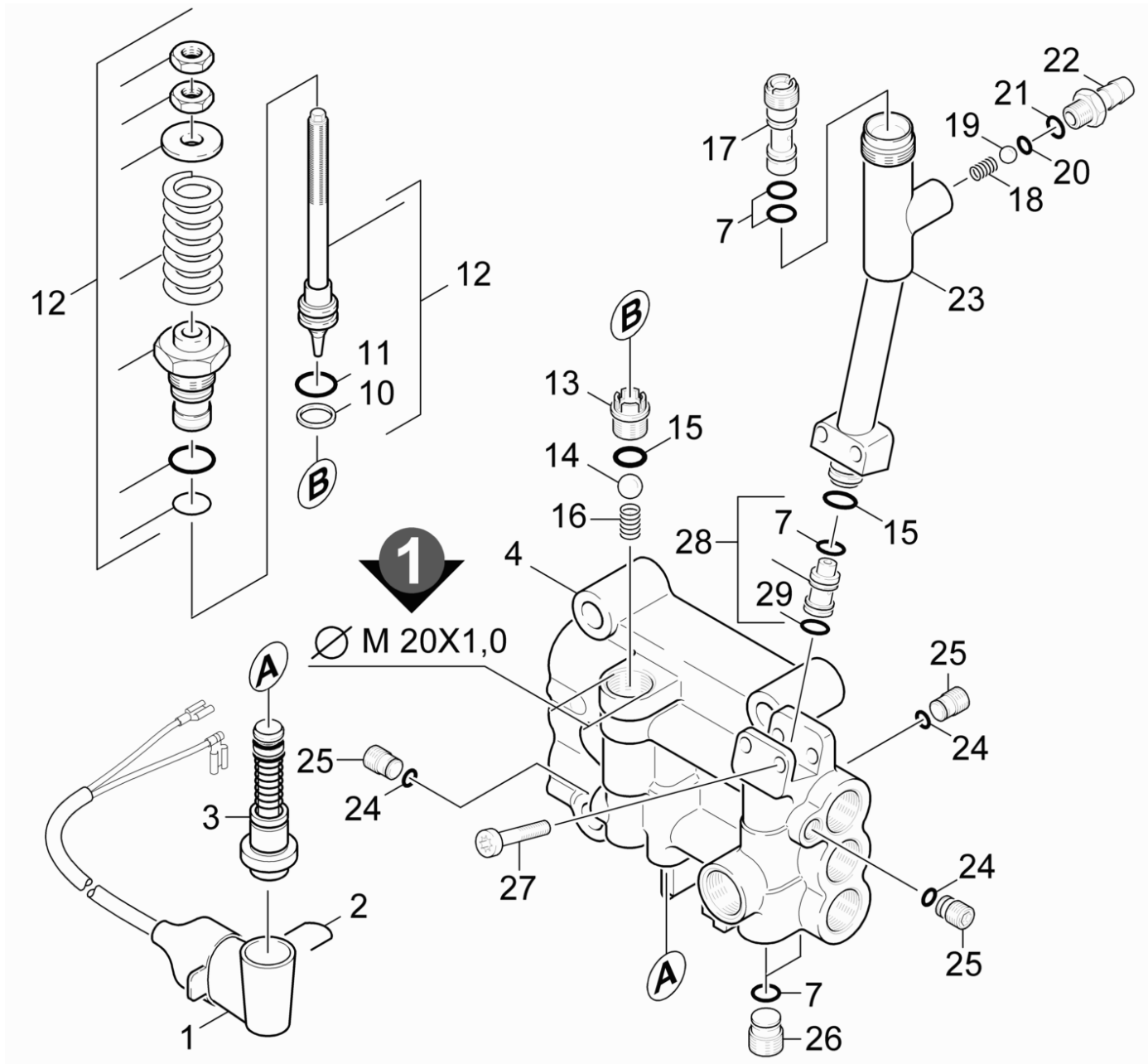


# 21 Cylinder head

Professional \ High pressure cleaner cold water \ Electric motor \ HD 10/25 -4S \ Spare parts list HD 10/25 S \ Pump set \ Cylinder head



## 21 Cylinder head

Professional \ High pressure cleaner cold water \ Electric motor \ HD 10/25 -4S \ Spare parts list HD 10/25 S \ Pump set \ Cylinder head



| POS | Article no.  | Description                                    | Quantity | Unit | Foot note text                                    |
|-----|--|--|----------|------|---|
| 1   | 4.744-193.0  | Switch complete                                | 1        | PC   | USE ONLY WITH BOARD (pos.19) VERSION 1 IN GR. 5.0 |
|     | <b>Item text1:</b> 1.286-112.0 / -113.0                |  |          |      |   |
| 1   | 4.744-239.0  | Switch complete replacement                    | 1        | PC   | USE ONLY WITH BOARD (pos.19) VERSION 2 IN GR. 5.0 |
|     | <b>Item text1:</b> 1.286-105.0 /-108.0 /-109.0 /-117.0 |  |          |      |   |
| 29  | 6.363-282.0  | O-Ring seal 6,3x2,4-NBR 70                     | 1        | PC   |   |
| 28  | 4.769-000.0  | Nozzle insert complete                         | 1        | PC   |   |
| 23  | 5.427-320.0  | Manifold                                       | 1        | PC   |   |
| 22  | 5.443-370.0  | Nipple   | 1        | PC   |   |
| 21  | 6.362-113.0  | O-Ring seal 6,0 x 2,0 NBR 70                   | 1        | PC   |   |
| 20  | 6.363-597.0  | O-Ring seal 5,28 x 1,78                        | 1        | PC   |   |
| 19  | 7.401-908.0  | Sphere 7 G300 -1.4301 DIN 5401                 | 1        | PC   |   |
| 18  | 5.332-258.0  | Helical spring                                 | 1        | PC   |   |
| 17  | 5.769-082.0  | Nozzle insert D2.0/ D2.7/ L38                  | 1        | PC   |   |
| 16  | 5.332-999.0  | Helical spring                                 | 1        | PC   |   |
| 14  |  | Part at pump set                               | 1        | PC   |   |
| 4   | 2.885-130.0  | Cylinder head -nur fuer Ersatz-                | 1        | PC   | VERSION 1   |
| 1   | 4.744-240.0  | Switch complete                                | 1        | PC   | USE ONLY WITH BOARD (pos.19) VERSION 2 IN GR. 5.0 |
|     | <b>Item text1:</b> 1.286-112.0 /-113.0                 |  |          |      |   |
| 1   | 4.744-242.0  | Switch kpl. -nur für Ersatz-                   | 1        | PC   | USE ONLY WITH BOARD (pos.19) VERSION 1 IN GR. 5.0 |
|     | <b>Item text1:</b> 1.286-105.0 / -108.0 / -109.0       |  |          |      |   |
| 2   | 5.034-494.0  | Retaining bracket                              | 1        | PC   |   |
| 3   | 2.883-988.3  | Spare parts set control piston for replacement | 1        | PC   |   |
| 10  |  | Part at pump set                               | 1        | PC   | VERSION 1   |
| 11  | 6.363-244.0  | O-Ring seal 12.42x1.78                         | 1        | PC   | VERSION 1   |
| 12  | 2.885-129.0  | Overflow valve -nur fuer Ersatz-               | 1        | PC   | VERSION 1   |
| 13  | 5.581-270.0  | Valve seat                                     | 1        | PC   |   |
| 100 | 2.883-902.0  | PUMP SET HD 1095                               | 1        | PC   |   |
| 15  | 6.362-151.0  | O-Ring d. 10 x 2 NBR 70                        | 2        | PC   |   |
| 26  | 5.411-152.0  | Screw plug                                     | 2        | PC   |   |
| 27  | 7.306-118.0  | Screw M 6x35 -8.8-P2R (In6Rd)                  | 2        | PC   |   |
| 24  | 6.362-703.0  | O-Ring seal 6,0x1,5-NBR 70                     | 3        | PC   |   |
| 25  | 5.411-161.0  | CLOSING SCREW M10X1                            | 3        | PC   |   |
| 7   | 6.362-384.0  | O-Ring seal 9x1,5 - NBR 70                     | 5        | PC   |   |