

**Ersatzteilliste
Spare Parts List
Liste des pièces de rechange**

HDS 891/1291ST

1.698-911.0	HDS 891 ST	* EUR
1.698-912.0	HDS 891 ST	* EUR
1.698-913.0	HDS 891 ST	* VEX
1.699-911.0	HDS 1291 ST	* EUR
1.699-912.0	HDS 1291 ST	* EUR
1.699-913.0	HDS 1291 ST	* VEX

GRUPPE: 1.0 EINZELTEILE
GROUP: 1.0 PIECE PARTS
GRUPPE: 1.0 PIECES CONSTITUANTES

A1

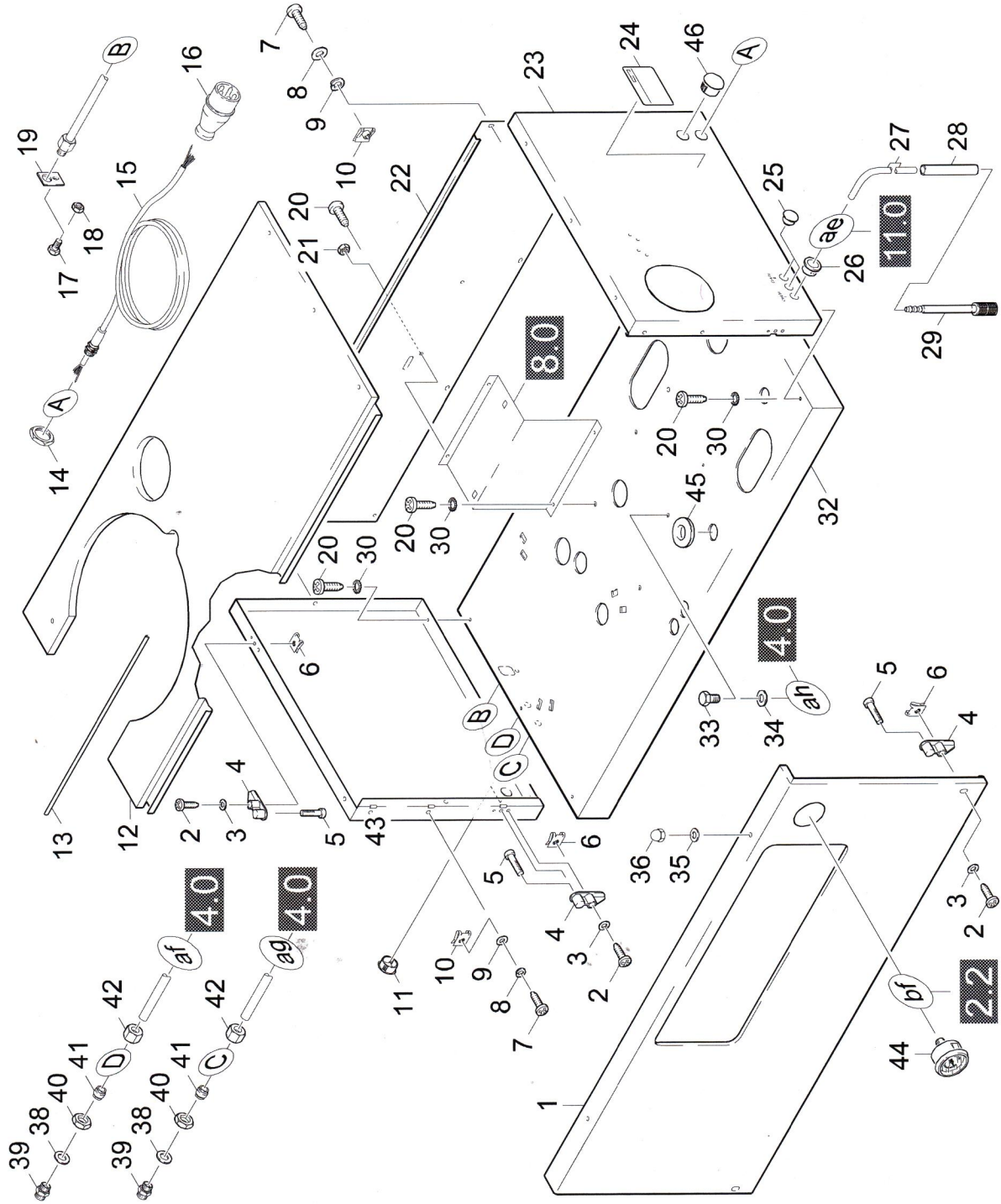
HDS 891/1291ST

GRUPPE: 1.0 EINZELTEILE
GROUP: 1.0 PIECE PARTS
GRUPPE: 1.0 PIECES CONSTITUANTES

GRUPPE: 1.0 EINZELTEILE
 GROUP: 1.0 PIECE PARTS
 GROUPE: 1.0 PIECES CONSTITUANTES

B1

HDS 891/1291ST



Symbolbeschreibung siehe M16 / symbol description see M16 / désignation de système voir M16 /

GRUPPE: 1.0 EINZELTEILE
 GROUP: 1.0 PIECE PARTS
 GROUPE: 1.0 PIECES CONSTITUANTES

C1

HDS 891/1291ST

POS. ITEM. POS.	BENENNUNG DESCRIPTION DESIGNATION	TEILE-NR. PART-NO. NO.PIECE	STCK QTY. NBR.	POS. ITEM. POS.	BENENNUNG DESCRIPTION DESIGNATION	TEILE-NR. PART-NO. NO.PIECE	STCK QTY. NBR.
1	WAND / PANEL / PAROI	5.065-653.0	1	39	DOPELSTUTZEN / DOUBLE NIPPLE / RACCORD DOUBLE	5.403-094.0	2
2	BL.SCHR. ST4,8X32 / SHEET METAL SCREW / VIS A TOLE	7.303-080.0	4	40	6KT-MUTTER M12X1,5 / HEXAGON NUT / ECROU HEXAGONAL	7.311-104.0	2
3	SCHEIBE 5 / WASHER / RONDELLE	7.312-278.0	4	41	SCHNEIDRING D 6-US / CUTTING RING / BAGUE COUPANTE	6.386-160.0	2
4	AUFLAGER / SUPPORT / SUPPORT	5.057-026.0	4	42	UE-MUTTER A 6-L / UNION NUT / ECROU RACOURD	6.386-346.0	2
5	LINSENSCHR. 4,2X 13 / OVAL HEAD SCREW / VIS A TETE BOMBEE	6.303-122.0	4	43	SEITENWAND / SIDE WALL / PAROI LATERALE	5.065-652.0	1
6	BLECHMUTTER / NUT / ECROU	6.310-034.0	4	44	MANOMETER 0-315 BAR / PRESSURE GAUGE / MANOMETRE	6.421-170.0	1
7	BL.SCHR. ST4,8X13 / SHEET METAL SCREW / VIS A TOLE	7.303-076.0	6	45	DURCHFUEHR.TUELLE / BUSH / DOUILLE DE TRAVERSEE	6.641-404.0	1
8	FEDERRING B 5 / SPRING WASHER / RONDELLE GROWER	7.313-016.0	6	46	SCHUTZKAPPE 26.5 / PROTECTING CAP / CAPOT PROTECTION	6.368-028.0	1
9	SCHEIBE 5 / WASHER / RONDELLE	7.312-052.0	6				
10	BLECHMUTTER / NUT / ECROU	6.310-121.0	6				
11	ABDECKKAPPE / CAP / CHAPE	6.368-079.0	2				
12	WAND / PANEL / PAROI	5.065-282.0	1				
13	SCHUTZTEIL / PROTECTION PART / PARTIE PROTECTEUR	5.394-164.0	3				
14	GEGENMUTTER PG16 / COUNTERNUT / CONTRE-ECROU	6.641-484.0	1				
15	KABEL / CABLE / CABLE	4.822-147.0	1				
16	CEE-STECKER 16A / CEE-PLUG / CEE-FICHE	6.646-030.0	1				
17	6KT-SCHR. M 6X 12 / HEXAGONAL HEAD SCREW / VIS HEXAGONAL	7.304-382.0	4				
18	6KT-MUTTER M 6 / HEXAGON NUT / ECROU HEXAGONAL	7.311-425.0	3				
19	HALTER / BRACKET / FIXATION	5.042-345.0	1				
20	SCHRAUBE M 5X 12 / SCREW / VIS	7.303-038.0	14				
21	6KT-MUTTER M 5 / HEXAGON NUT / ECROU HEXAGONAL	7.311-421.0	2				
22	RUECKWAND / REAR WALL / PANNEAU ARRIERE	5.065-651.0	1				
23	SEITENWAND / SIDE WALL / PAROI LATERALE	5.065-654.0	1				
24	TYPENSCHILD 100X60 / RATING PLATE / PLAQUE SIGNALETIQUE	5.382-394.0	1				
25	ABDECKKAPPE / CAP / CHAPE	6.368-099.0	2				
26	DURCHFUEHR.TUELLE / BUSH / DOUILLE DE TRAVERSEE	6.641-494.0	1				
27	SCHLAUCH DN 7 / HOSE / TUYAU FLEXIBLE	6.388-194.0	1				
28	ROHR / PIPE / TUYAU	5.025-747.0	1				
29	FILTER / FILTER / FILTRE	6.414-136.0	1				
30	ZAHNSCHEIBE A 5,3 / LOCK WASHER / ROUE PLATE	7.312-172.0	14				
32	GRUNDRAMMEN / BASE FRAME / CADRE	4.050-532.0	1				
33	SCHRAUBE M 8X 12 / SCREW / VIS	6.303-035.0	2				
34	ZAHNSCHEIBE A 8,4 / LOCK WASHER / ROUE PLATE	7.312-159.0	5				
35	SCHEIBE 6 / WASHER / RONDELLE	7.312-003.0	2				
36	HUTMUTTER M 6 / CAP NUT / ECROU BORGNE	7.311-380.0	2				
38	SCHEIBE / WASHER / RONDELLE	5.115-239.0	2				

"=> xxxxxx" = bis Werknummer / up to serial No. / jusqu' au No. de fabr. / "xxxxxx =>" = ab Werknummer / from serial No. / a partir du No. de fabr. /

GRUPPE: 2.0 PUMPENSATZ
GROUP: 2.0 PUMP SET
GRUPPE: 2.0 JEU (ENSEMBLE) DE POMPE

A2

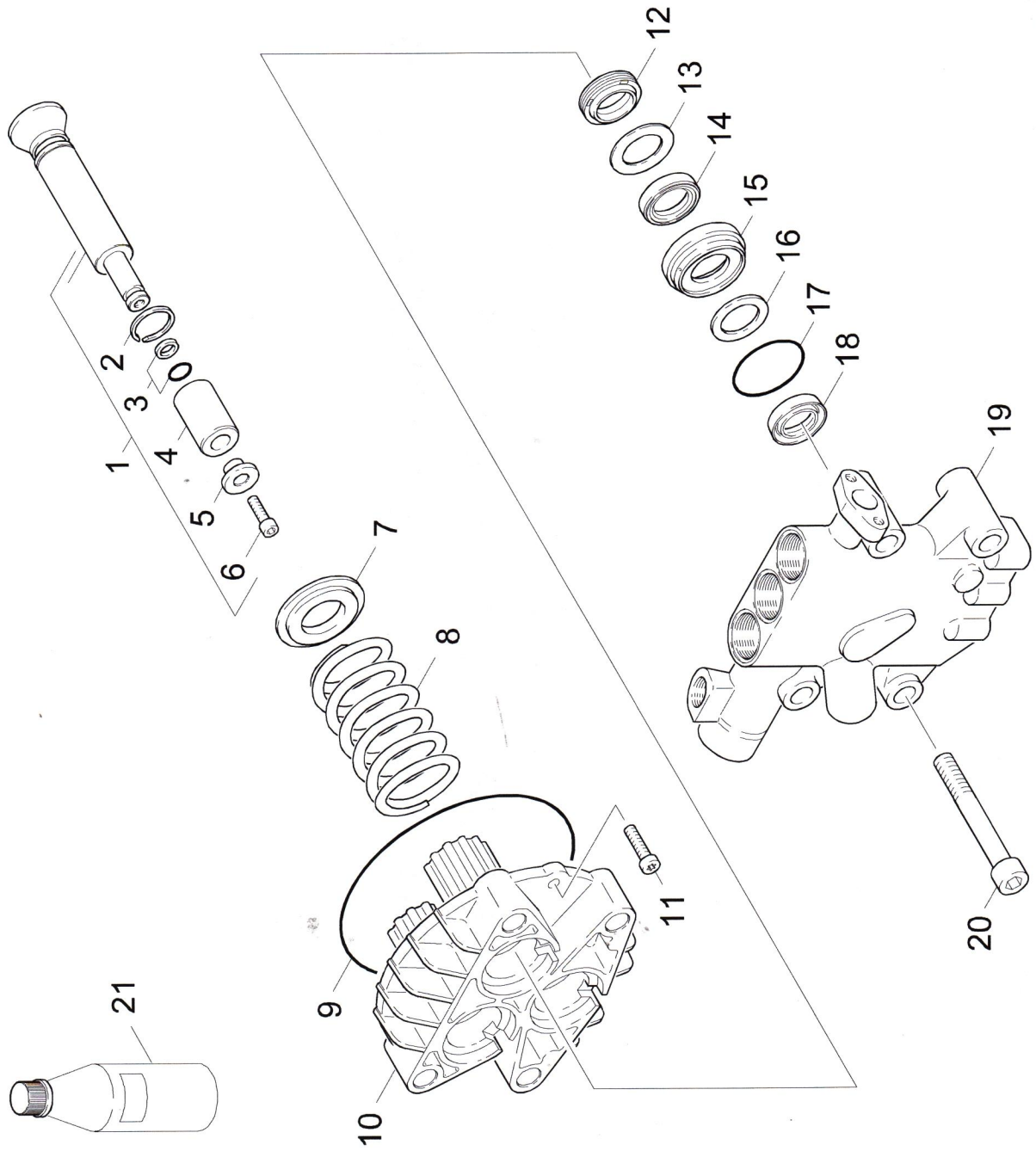
HDS 891/1291ST

**GRUPPE: 2.0 PUMPENSATZ
GROUP: 2.0 PUMP SET
GRUPPE: 2.0 JEU (ENSEMBLE) DE POMPE**

GRUPPE: 2.1 KOLBEN
GROUP: 2.1 PISTON
GRUPPE: 2.1 PISTON

B2

HDS 891/1291ST



Symbolbeschreibung siehe M16 / symbol description see M16 / désignation de système voir M16 /

GRUPPE: 2.1 KOLBEN
 GROUP: 2.1 PISTON
 GROUPE: 2.1 PISTON

C2

HDS 891/1291ST

POS. ITEM. POS.	BENENNUNG DESCRIPTION DESIGNATION	TEILE-NR. PART-NO. NO.PIECE	STCK QTY. NBR.
-----------------------	---	-----------------------------------	----------------------

1	KOLBEN KPL. / PISTON / PISTON	4.553-135.0	3
2	SPRENGRING WR 22 / SPRING RING / CIRCLIP	6.343-142.0	3
3	O-RING KPL./1ST.-R. / GASKET / BAQUE D'ETANCHEITE	6.362-365.0	3
4	KERAMIKHUELSE / CERAMIC POD / DOUILLE CERAMIQUE	5.110-282.0	3
5	HUELSE / SLEEVE / DOUILLE	5.110-484.0	3
6	ZYL.SCHR. M 5X 20 / CHEESE HEAD SCREW / VIS A TETE CYLINDR.	7.306-158.0	3
7	SCHEIBE / WASHER / RONDELLE	5.115-522.0	3
8	SCHRAUBENFEDER / HELICAL SPRING / RESSORT CYLINDRIQUE	5.332-281.0	3
9	O-RING 107,62X 2,62 / GASKET / BAQUE D'ETANCHEITE	6.362-796.0	1
10	GEHAEUSE / HOUSING / BOITIER	5.060-397.0	1
11	SCHRAUBE M 6X 30 / SCREW / VIS	7.306-105.0	2
12	NUTRING 22X30X8/8 / GROOVED RING / JOINT A LEVRES	6.365-059.0	3
13	SCHEIBE / WASHER / RONDELLE	5.115-520.0	3
14	KOMPAKTDI. 22X32X6 / SEAL / JOINT	6.365-056.0	3
15	BUCHSE / BUSH / DOUILLE	5.112-414.0	3
16	SCHEIBE / WASHER / RONDELLE	5.115-521.0	3
17	O-RING 36,0 X 2,0 / GASKET / BAQUE D'ETANCHEITE	6.362-092.0	3
18	NUTRING 22X30X5 / GROOVED RING / JOINT A LEVRES	6.365-055.0	3
19	ZYLINDERKOPF / CYLINDER HEAD / CULASSE	5.550-172.0	1
20	ZYL.SCHR. M12X100 / CHEESE HEAD SCREW / VIS A TETE CYLINDR.	7.306-155.0	4
21	GETRIEBEOEL 1L / GEAR LUBRICANT OIL / HUILE A ENGRENAGES	6.288-016.0	1
100	PUMPENSET / PUMP SET / GROUPE DE POMPES	2.883-302.0	1

"=> xxxxxx" = bis Werknummer / up to serial No. / jusqu' au No. de fabr. / "xxxxxx =>" = ab Werknummer / from serial No. / a partir du No. de fabr. /

102225

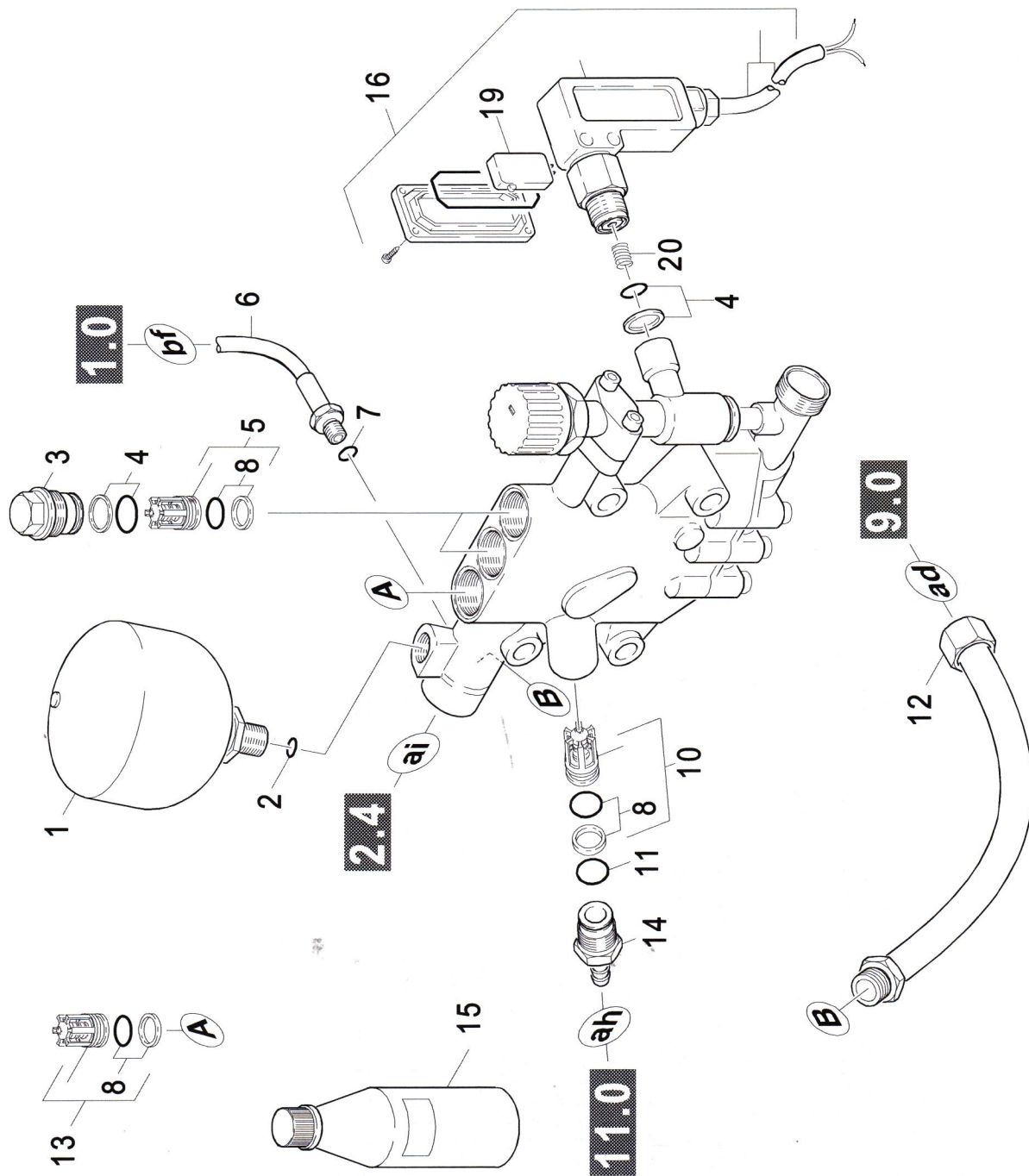
01079570

59586850

GRUPPE: 2.2 SAUGSEITE
 GROUP: 2.2 SUCTION SIDE
 GROUPE: 2.2 COTE ASPIRANT

D2

HDS 891/1291ST



Symbolbeschreibung siehe M16 / symbol description see M16 / désignation de système voir M16 /

GRUPPE: 2.2 SAUGSEITE
 GROUP: 2.2 SUCTION SIDE
 GROUPE: 2.2 COTE ASPIRANT

E2

HDS 891/1291ST

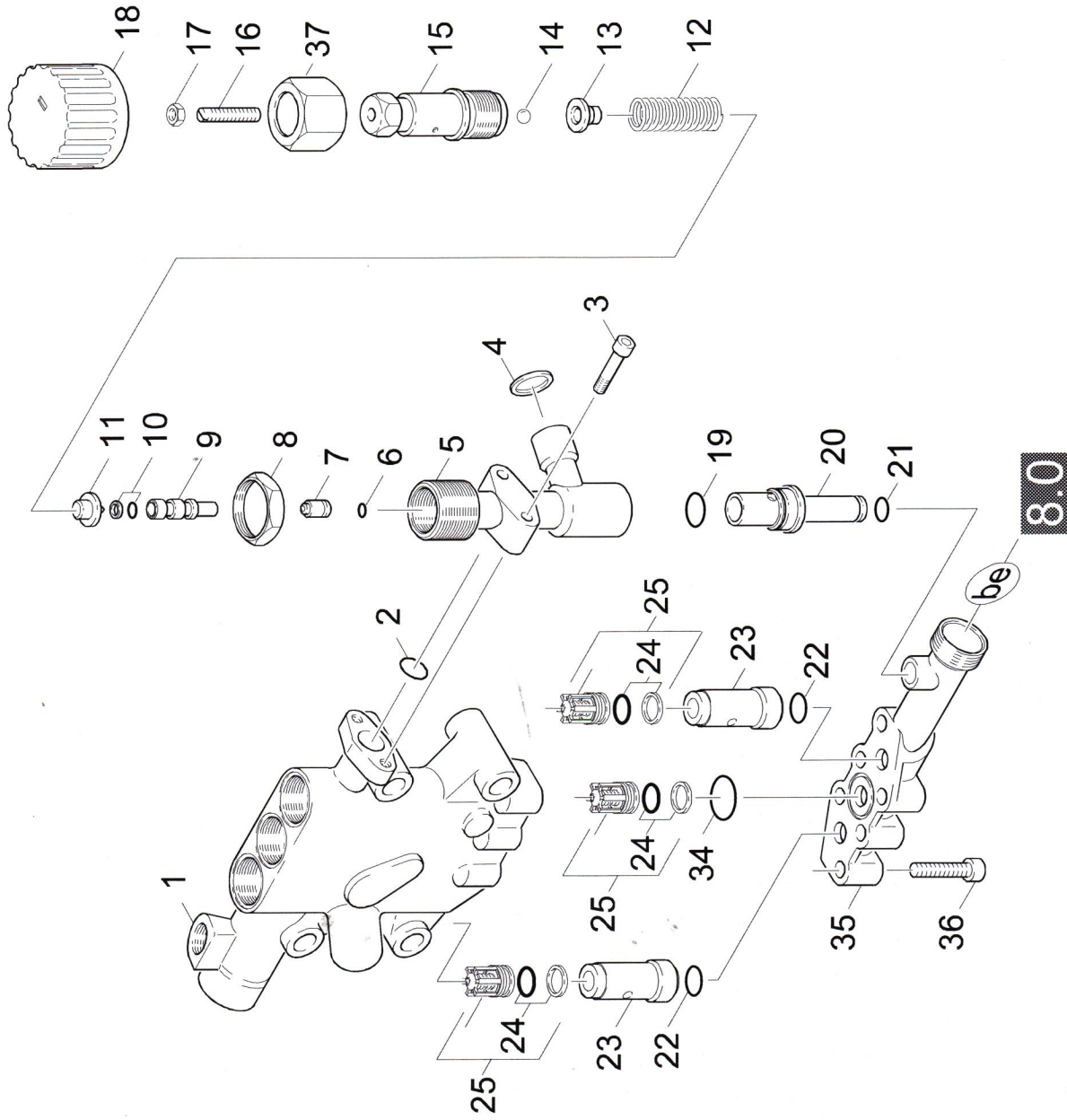
POS. ITM. POS.	BENENNUNG DESCRIPTION DESIGNATION	TEILE-NR. PART-NO. NO.PIECE	STCK QTY. NBR.
1	DRUCKSPEICHER / PULSATION DAMPER / ANTI-BELIER / 1.699-911.0 / -912.0 / -913.0	6.505-040.0	1
1	DRUCKSPEICHER / PULSATION DAMPER / ANTI-BELIER / 1.698-911.0 / -912.0 / -913.0	6.505-041.0	1
2	O-RING 6,07X 1,78 / GASKET / BAQUE D'ETANCHEITE	6.362-176.0	1
3	VENTILSCHRAUBE / VALVE SCREW / VIS POINTEAU (SOUP.)	5.583-125.0	3
4	O-RING KPL./1ST.-R. / GASKET / BAQUE D'ETANCHEITE	6.362-500.0	4
5	VENTIL KPL. / VALVE / SOUPAPE	4.580-229.0	5
6	HD-SCHLAUCH / HIGH PRESSURE HOSE / TUYAU FLEXIBLE HAUTE PRE.	6.389-635.0	1
7	DICHRING 10 X13,5 / JOINT RING / BAGUE D'ETANCHEITE	7.362-003.0	1
8	O-RING KPL./1ST.-R. / GASKET / BAQUE D'ETANCHEITE	6.362-466.0	3
10	VENTIL KPL. / VALVE / SOUPAPE	4.580-230.0	1
11	O-RING 14,0 X 2,0 / GASKET / BAQUE D'ETANCHEITE	6.362-481.0	1
12	HD-SCHLAUCH DN 8 / HIGH PRESSURE HOSE / TUYAU FLEXIBLE HAUTE PRE.	6.389-568.0	1
13	VENTIL KPL. / VALVE / SOUPAPE	4.580-237.0	1
14	SCHLAUCHNIPPEL / HOSE STEM / RACCORD DE FLEXIBLE	5.443-336.0	1
16	DRUCKSCHALTER / PRESSURE SWITCH / PRESSOTAT	6.630-050.0	1
19	SCHALTER / SWITCH / INTERRUPTEUR	6.631-792.0	1
20	DRUCKFEDER 8 BAR / PRESSURE SPRING / RESSORT A PRESSION	6.330-202.0	1

"=> xxxxxx" = bis Werknummer / up to serial No. / jusqu' au No. de fabr. / "xxxxxx =>" = ab Werknummer / from serial No. / a partir du No. de fabr. /

GRUPPE: 2.3 DRUCKSEITE
GROUP: 2.3 DELIVERY SIDE OF PUMP
GRUPPE: 2.3 COTE REFOULEMENT

F2

HDS 891/1291ST



Symbolbeschreibung siehe M16 / symbol description see M16 / désignation de système voir M16 /

GRUPPE: 2.3 DRUCKSEITE
 GROUP: 2.3 DELIVERY SIDE OF PUMP
 GROUPE: 2.3 COTE REFOULEMENT

G2

HDS 891/1291ST

POS. ITM. POS.	BENENNUNG DESCRIPTION DESIGNATION	TEILE-NR. PART-NO. NO.PIECE	STCK QTY. NBR.
1	ZYLINDERKOPF / CYLINDER HEAD / CULASSE	5.550-172.0	1
2	O-RING 10 X 1,5 / GASKET / BAQUE D'ETANCHEITE	6.362-482.0	1
3	SCHRAUBE M 6X 30 / SCREW / VIS	7.306-105.0	2
4	O-RING 10,0 X 2,0 / GASKET / BAQUE D'ETANCHEITE	7.362-501.0	1
5	GEHAEUSE / HOUSING / BOITIER	5.060-424.0	1
6	O-RING 6,0 X 1,5 / GASKET / BAQUE D'ETANCHEITE	6.362-703.0	1
7	VENTILSITZ / VALVE SEAT / SIEGE DE SOUPAPE	5.581-143.0	1
8	6KT-MUTTER / HEXAGON NUT / ECROU HEXAGONAL	5.311-165.0	1
9	KOLBEN / PISTON / PISTON	5.553-431.0	1
10	O-RING KPL./1ST.-R. / GASKET / BAQUE D'ETANCHEITE	6.363-115.0	1
11	VENTILBOLZEN / VALVE PIN / BOULON DE SOUPAPE	5.584-077.0	1
12	SCHRAUBENFEDER / HELICAL SPRING / RESSORT CYLINDRIQUE	5.332-285.0	1
13	VENTILTELLER / VALVE DISC / TETE DE SOUPAPE	5.582-103.0	1
14	KUGEL 6,0 G300 / BALL / BOULE	7.401-918.0	1
15	6KT-SCHRAUBE / HEXAGONAL HEAD SCREW / VIS HEXAGONAL	5.304-061.0	1
16	GEW.STIFT M 6X 35 / THREADED PIN / VIS SANS TETE	7.307-418.0	1
17	6KT-MUTTER M 6 / HEXAGON NUT / ECROU HEXAGONAL	7.311-003.0	1
18	GRIFF / HANDLE / POIGNEE	5.321-406.0	1
19	O-RING 18,0 X 2,0 / GASKET / BAQUE D'ETANCHEITE	6.362-534.0	1
20	STUTZEN / CONNECTION PIECE / TUBULURE / 1.698-911.0 / -912.0 / -913.0	5.402-529.0	1
20	STUTZEN / CONNECTION PIECE / TUBULURE / 1.699-911.0 / -912.0 / -913.0	5.402-535.0	1
21	O-RING 9,0 X 2,0 / GASKET / BAQUE D'ETANCHEITE	6.362-797.0	1
22	O-RING 15,3 X 2,4 / GASKET / BAQUE D'ETANCHEITE	6.362-153.0	2
23	HUELSE / SLEEVE / DOUILLE	5.110-518.0	2
24	O-RING KPL./1ST.-R. / GASKET / BAQUE D'ETANCHEITE	6.362-466.0	3
25	VENTIL KPL. / VALVE / SOUPAPE	4.580-229.0	3
34	O-RING 20,0 X 1,5 / GASKET / BAQUE D'ETANCHEITE	6.362-547.0	1
35	VENTILGEHAEUSE / VALVE HOUSING / CORPS DE SOUPAPE	5.587-141.0	1
36	ZYL.SCHR. M 8X 35 / CHEESE HEAD SCREW / VIS A TETE CYLINDR.	7.306-044.0	6
37	6KT-MUTTER / HEXAGON NUT / ECROU HEXAGONAL	5.311-164.0	1

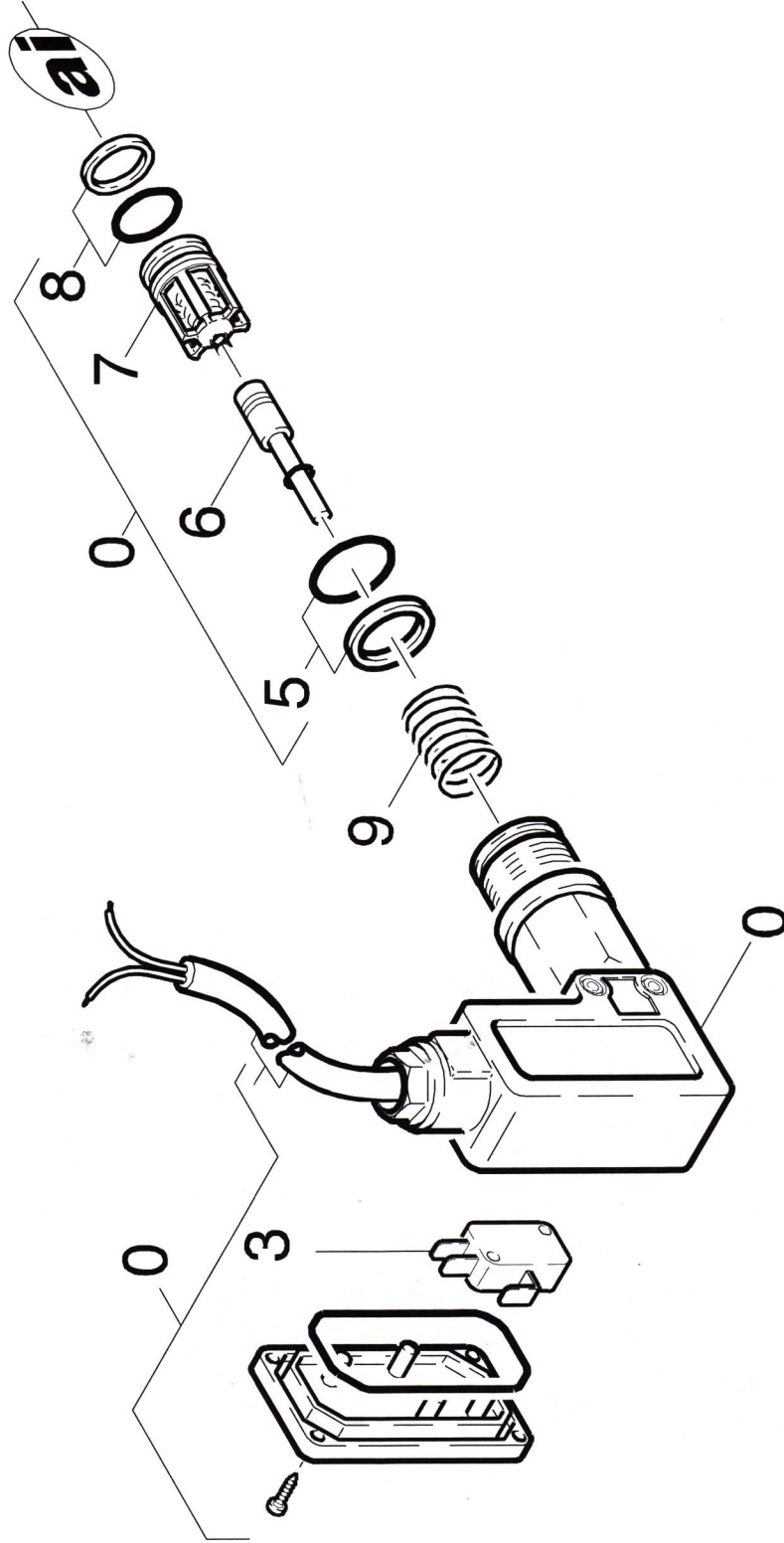
"=> xxxxxx" = bis Werknummer / up to serial No. / jusqu' au No. de fabr. / "xxxxxx =>" = ab Werknummer / from serial No. / a partir du No. de fabr. /

GRUPPE: 2.4 DRUCKSCHALTER
GROUP: 2.4 PRESSURE SWITCH
GRUPPE: 2.4 PRESSOTAT

H2

HDS 891/1291ST

2.2



Symbolbeschreibung siehe M16 / symbol description see M16 / désignation de système voir M16 /

GRUPPE: 2.4 DRUCKSCHALTER
GROUP: 2.4 PRESSURE SWITCH
GRUPPE: 2.4 PRESSOTAT

I2

HDS 891/1291ST

POS. ITM. POS.	BENENNUNG DESCRIPTION DESIGNATION	TEILE-NR. PART-NO. NO.PIECE	STCK QTY. NBR.
0	DRUCKSCHALTER / PRESSURE SWITCH / PRESSOTAT	6.630-111.0	1
3	SCHALTER / SWITCH / INTERRUPTEUR	6.631-792.0	1
5	O-RING KPL./1ST.-R. / GASKET / BAQUE D'ETANCHEITE	6.362-500.0	1
6	KOLBEN KPL. / PISTON / PISTON	6.630-038.0	1
7	FORMTEIL / MOULDED PART / PREFORME	5.030-835.0	1
8	O-RING KPL./1ST.-R. / GASKET / BAQUE D'ETANCHEITE	6.362-466.0	1
9	DRUCKFEDER 30 BAR / PRESSURE SPRING / RESSORT A PRESSION	6.330-204.0	1

"=> xxxxxx" = bis Werknummer / up to serial No. / jusqu' au No. de fabr. / "xxxxxx =>" = ab Werknummer / from serial No. / a partir du No. de fabr. /

102231

01079600

59586850

GRUPPE: 3.0 MOTOR
GROUP: 3.0 MOTOR
GRUPPE: 3.0 MOTEUR

A3

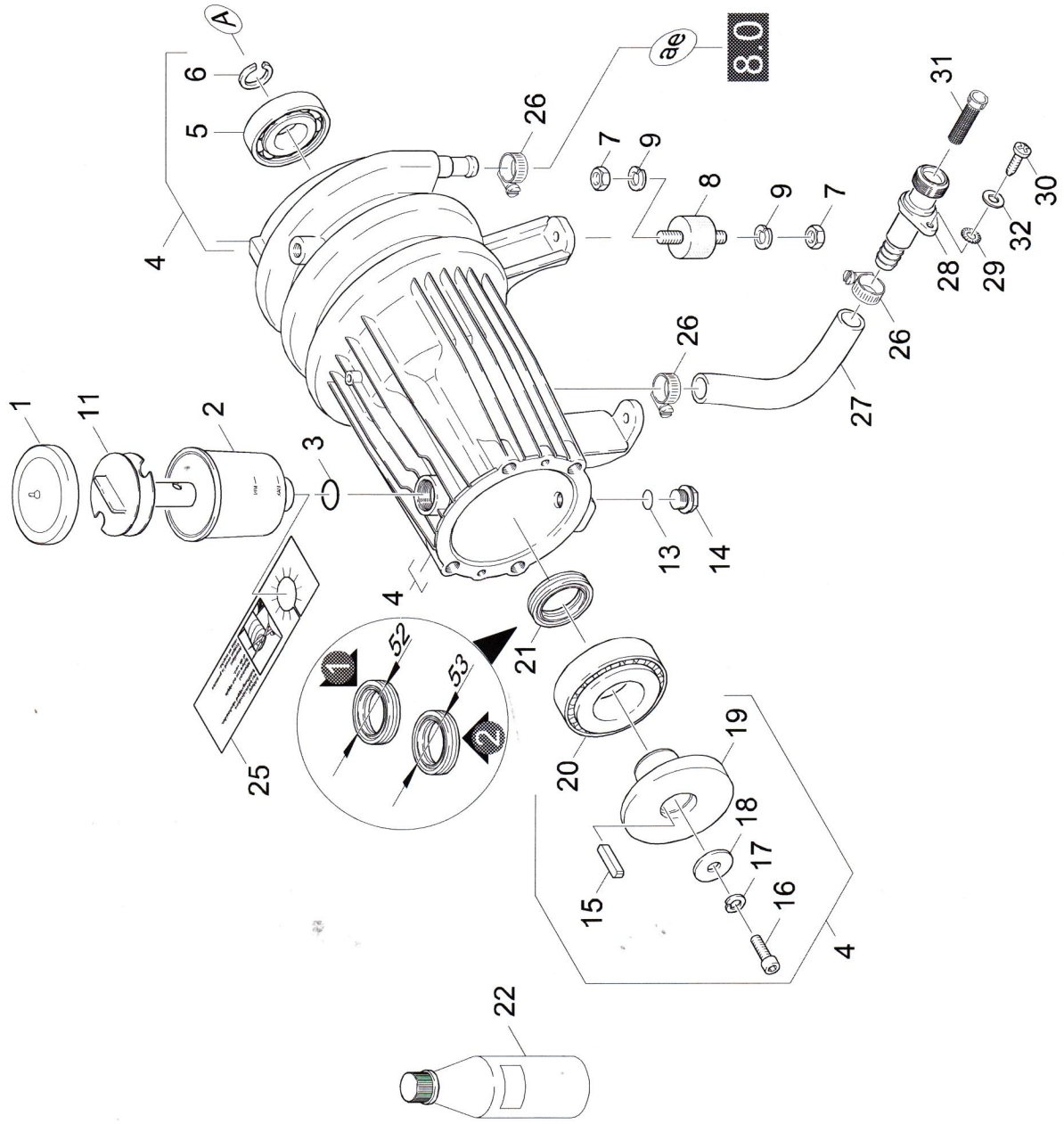
HDS 891/1291ST

GRUPPE: 3.0 MOTOR
GROUP: 3.0 MOTOR
GRUPPE: 3.0 MOTEUR

GRUPE: 3.0 MOTOR
GROUP: 3.0 MOTOR
GRUPPE: 3.0 MOTEUR

B3

HDS 891/1291ST



Symbolbeschreibung siehe M16 / symbol description see M16 / désignation de système voir M16 /

GRUPE: 3.0 MOTOR
 GROUP: 3.0 MOTOR
 GROUPE: 3.0 MOTEUR

C3

HDS 891/1291ST

POS. ITEM. POS.	BENENNUNG DESCRIPTION DESIGNATION	STCK QTY. NBR.	TEILE-NR. PART-NO. NO.PIECE	STCK QTY. NBR.	BENENNUNG DESCRIPTION DESIGNATION	POS. ITEM. POS.	TEILE-NR. PART-NO. NO.PIECE	STCK QTY. NBR.
1	DECKEL / COVER / COUVERCLE	1	5.063-189.0	1	RWDR A35 X 52 X 7 / ROTARY SHAFT SEAL / JOINT (ARBRE) VERSION 1	21	7.367-009.0	1
2	BEHAELTER / TANK / BAC	1	5.070-048.0	1				
3	O-RING 22,3 X 2,4 / GASKET / BAQUE D'ETANCHEITE	1	6.362-168.0	1	GETRIEBEOEL 1L / GEAR LUBRICANT OIL / HUILE A ENGRENAGES	22	6.288-016.0	1
4	MOTOR KPL. / MOTOR / MOTEUR	1	4.623-205.0	1	SCHILD / DECAL / PLAQUE	25	5.386-456.0	1
4	/ 1.698-911.0 / -912.0	1	4.623-211.0	1	SCHLAUCHSCHELLE / HOSE BAND CLIP / COLLIER DE SERRAGE	26	6.388-547.0	3
4	MOTOR KPL. / MOTOR / MOTEUR	1	4.623-255.0	1	SCHLAUCHSTUECK / HOSE / BOUT DE TUYAU / 1.698-911.0 / 1.699-911.0	27	5.442-594.0	1
4	/ 1.698-913.0	1	4.623-296.0	1	SCHLAUCHSTUECK / HOSE / BOUT DE TUYAU	27	5.442-831.0	1
4	MOTOR KPL. / MOTOR / MOTEUR	1	4.623-296.0	1	/ 1.698-912.0 / -913.0 / 1.699-912.0 / -913.0			
4	/ 1.699-913.0	1	4.623-356.0	1	KNOTENSTUECK / MANIFOLD / FERRURE NODALE / 1.698-911.0 / 1.699-911.0	28	5.427-123.0	1
4	MOTOR KPL. / MOTOR / MOTEUR	1	4.623-356.0	1	KNOTENSTUECK / MANIFOLD / FERRURE NODALE / 1.698-912.0 / -913.0 / 1.699-912.0 / -913.0	28	5.427-154.0	1
5	KUGELLAGER 6305-ZZ / BALL BEARING / ROULEMENT A BILLE	1	6.401-253.0	1	ZAHNSCHEIBE A 6,4 / LOCK WASHER / ROUE PLATE	29	7.312-167.0	1
6	S-RING 25X1,2 / SPRING CLIP / CIRCLIP	1	7.343-008.0	1	SCHRAUBE M 6X 20 / SCREW / VIS	30	7.303-048.0	1
7	6KT-MUTTER M 8 / HEXAGON NUT / ECROU HEXAGONAL	8	7.311-004.0	8	SIEB / STRAINER / CREPINE	31	6.414-282.0	1
8	GUMMPUFFER M8 / RUBBER BUFFER / BUTOIR CAOUTCHOUC	4	6.339-060.0	4	SCHEIBE 6 / WASHER / RONDELLE	32	7.312-003.0	1
9	FEDERRING B 8 / SPRING WASHER / RONDELLE GROWER	8	7.313-004.0	8				
11	FORMTEIL / MOULDED PART / PREFORME	1	5.030-389.0	1				
13	O-RING 11,0 X 2,0 / GASKET / BAQUE D'ETANCHEITE	1	6.362-458.0	1				
14	VERSCHLUSSSCHRAUBE / CLOSING SCREW / VIS DE FERMETURE	1	5.411-100.0	1				
15	PASSFEDER 8X 7X 25 / SPRING / RESSORT D'ADJUSTAGE	1	7.318-035.0	1				
16	ZYL.SCHR. M 8X 20 / CHEESE HEAD SCREW / VIS A TETE CYLINDR.	1	7.306-041.0	1				
17	ZAHNSCHEIBE A 8,4 / LOCK WASHER / ROUE PLATE	1	7.312-159.0	1				
18	SCHEIBE / WASHER / RONDELLE	1	5.115-565.0	1				
19	TAUMELSCHLEIBE / SWASH PLATE / DISQUE EN NUTATION / 1.698-911.0 / -912.0 / 1.699-913.0	1	5.120-234.0	1				
19	TAUMELSCHLEIBE / SWASH PLATE / DISQUE EN NUTATION / 1.699-911.0 / -912.0	1	5.120-235.0	1				
19	TAUMELSCHLEIBE / SWASH PLATE / DISQUE EN NUTATION / 1.698-913.0	1	5.120-262.0	1				
20	KEGELROLLENLAGER 41 / TAPER ROLLER BEARING / PALIER A ROULEAUX	1	6.401-225.0	1				
21	RWDR A35X53X7 / ROTARY SHAFT SEAL / JOINT (ARBRE) VERSION 2	1	7.367-005.0	1				

"=> xxxxxx" = bis Werknummer / up to serial No. / jusqu' au No. de fabr. / "xxxxxx =>" = ab Werknummer / from serial No. / a partir du No. de fabr. /

103151

01125980

59586850

GRUPPE: 4.0 GEBLAESE
GROUP: 4.0 BLOWER
GRUPPE: 4.0 VENTILATEUR

A4

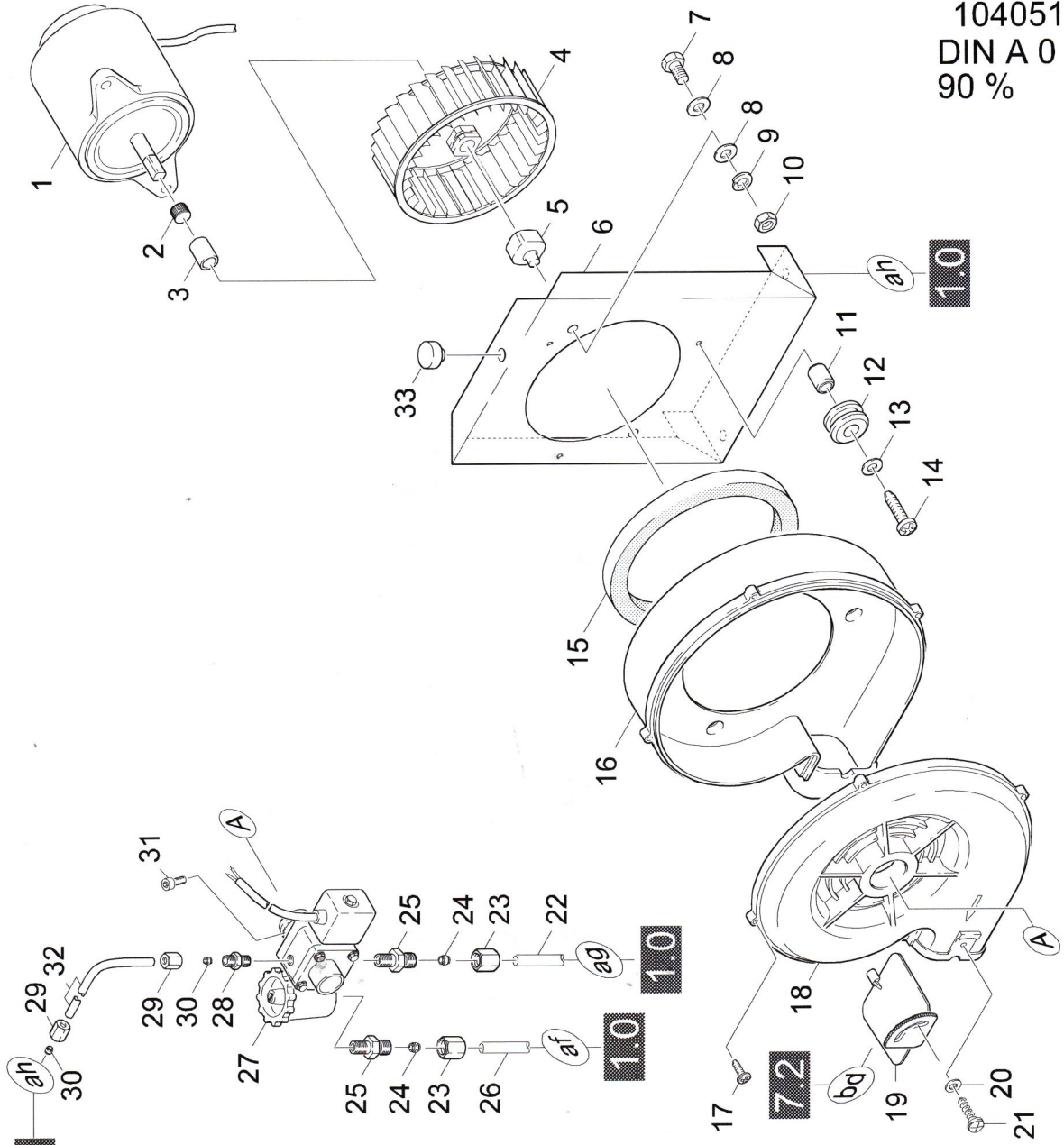
HDS 891/1291ST

GRUPPE: 4.0 GEBLAESE
GROUP: 4.0 BLOWER
GRUPPE: 4.0 VENTILATEUR

GRUPPE: 4.0 GEBLAESE
GROUP: 4.0 BLOWER
GRUPPE: 4.0 VENTILATEUR

B4

HDS 891/1291ST



104051
DIN A 0
90 %

Symbolbeschreibung siehe M16 / symbol description see M16 / désignation de système voir M16 /

104051

01160720

59586850

GRUPPE: 4.0 GEBLAESE
 GROUP: 4.0 BLOWER
 GROUPE: 4.0 VENTILATEUR

C4

HDS 891/1291ST

POS. ITEM. POS.	BENENNUNG DESCRIPTION DESIGNATION	TEILE-NR. PART-NO. NO.PIECE	STCK QTY. NBR.	POS. ITM. POS.	BENENNUNG DESCRIPTION DESIGNATION	TEILE-NR. PART-NO. NO.PIECE	STCK QTY. NBR.
1	E-MOTOR 2-TEILIG / ELECTRIC MOTOR / MOTEUR ELECTRIQUE / 1.698-911.0 / -912.0 / 1.699-911.0 / -912.0	6.612-087.0	1	32	LEITUNGSROHR / PIPE / TUBE CONDUCTEUR / 1.698-911.0 / -912.0 / -913.0	5.423-282.0	1
1	E-MOTOR 0,15KW / ELECTRIC MOTOR / MOTEUR ELECTRIQUE / 1.698-913.0 / 1.699-913.0	6.612-221.0	1	33	GUMMIPUFFER / RUBBER BUFFER / BUTOIR CAOUTCHOUC	6.339-022.0	1
2	TOLERANZRING D14X8 / TOLERANCE RING / BAGUE	6.343-166.0	1				
3	HUELSE / SLEEVE / DOUILLE	5.110-612.0	1				
4	LAUFRAD / FAN WHEEL / ROUE DE VENTILATEUR	5.600-021.0	1				
5	KUPPLUNGSTEIL / COUPLING ELEMENT / PIECE D'ACCOUPL.	5.471-060.0	1				
6	STAENDER / STAND / MONTANTS	5.052-046.0	1				
7	6KT-SCHR. M 8X 25 / HEXAGONAL HEAD SCREW / VIS HEXAGONAL	7.304-399.0	2				
8	SCHEIBE 8 / WASHER / RONDELLE	7.312-277.0	4				
9	FEDERRING B 8 / SPRING WASHER / RONDELLE GROWER	7.313-004.0	2				
10	6KT-MUTTER M 8 / HEXAGON NUT / ECROU HEXAGONAL	7.311-004.0	2				
11	HUELSE / SLEEVE / DOUILLE	5.110-306.0	3				
12	GUMMIRING / RUBBER RING / RONDELLE CAOUTCHOUC	5.379-011.0	3				
13	SCHEIBE 5 / WASHER / RONDELLE	7.312-264.0	3				
14	SCHRAUBE M 5X 20 / SCREW / VIS	7.303-041.0	3				
15	DAEMMRING / DAMPING RING / BAGUE ISOLANT	6.286-391.0	1				
16	GEHAEUSE / HOUSING / BOITIER	5.605-143.0	1				
17	SCHRAUBE 4 X 25 / SCREW / VIS	7.303-084.0	5				
18	DECKEL / COVER / COUVERCLE	5.063-274.0	1				
19	LUFTKLAPPE / AIR FLAP / VOILET D'ADMIS.D'AIR	5.606-002.0	1				
20	SCHEIBE 5 / WASHER / RONDELLE	7.312-278.0	1				
21	BL.SCHR. ST4,8X16 / SHEET METAL SCREW / VIS A TOLE	7.303-077.0	1				
22	LEITUNGSROHR / PIPE / TUBE CONDUCTEUR	5.423-278.0	1				
23	UE-MUTTER A 6-L / UNION NUT / ECROU RACOURD	6.386-346.0	2				
24	SCHNEIDRING D 6-L/S / CUTTING RING / BAGUE COUPANTE	6.386-160.0	2				
25	STUTZEN 6-L/8NPT / CONNECTION PIECE / TUBULURE	6.386-181.0	2				
26	LEITUNGSROHR / PIPE / TUBE CONDUCTEUR	5.423-277.0	1				
27	BRENNERFOERDERPUMPE / BURNER FEED PUMP / POMPE D'ALIMENT.(BRULEUR)	6.472-960.0	1				
28	SCHRAUBSTUTZEN / SCREW UNION / RACCORD FILETE	6.389-261.0	1				
29	UE-MUTTER A 4-LL / UNION NUT / ECROU RACOURD	6.389-262.0	2				
30	SCHNEIDRING D.4 / CUTTING RING / BAGUE COUPANTE	6.389-263.0	2				
31	SCHRAUBE M 6X 16 / SCREW / VIS	7.306-090.0	1				

"=> xxxxxx" = bis Werknummer / up to serial No. / jusqu'au No. de fabr. / "xxxxxx =>" = ab Werknummer / from serial No. / a partir du No. de fabr. /

GRUPPE: 5.0 BRENNSTOFFPUMPE
GROUP: 5.0 FUEL PUMP
GROUPE: 5.0 POMPE DE COMBUSTIBLE

A5

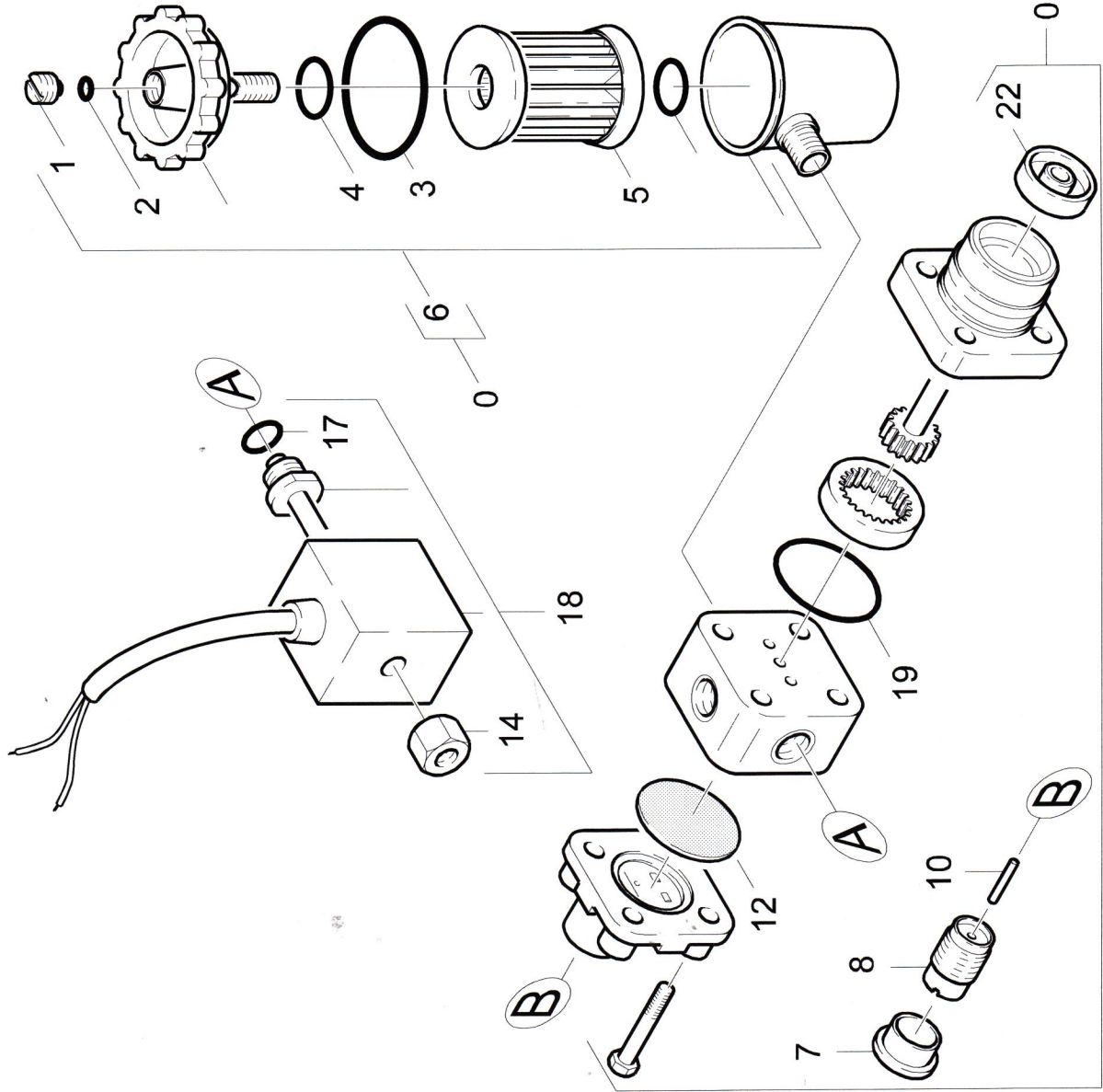
HDS 891/1291ST

GRUPPE: 5.0 BRENNSTOFFPUMPE
GROUP: 5.0 FUEL PUMP
GROUPE: 5.0 POMPE DE COMBUSTIBLE

GRUPPE: 5.0 BRENNSTOFFPUMPE
GROUP: 5.0 FUEL PUMP
GROUPE: 5.0 POMPE DE COMBUSTIBLE

B5

HDS 891/1291ST



Symbolbeschreibung siehe M16 / symbol description see M16 / désignation de système voir M16 /

GRUPPE: 5.0 BRENNSTOFFPUMPE
 GROUP: 5.0 FUEL PUMP
 GROUPE: 5.0 POMPE DE COMBUSTIBLE

C5

HDS 891/1291ST

POS. ITM. POS.	BENNENUNNG DESCRIPTION DESIGNATION	TEILE-NR. PART-NO. NO.PIECE	STCK QTY. NBR.
0	BRENNSTOFFPUMPE / FUEL PUMP / POMPE DE COMBUSTIBLE	6.472-925.0	1
1	ENTLUEFTUNGSSCHR. / VENT SCREW / VIS D'AIR	6.472-107.0	1
2	O-RING 5,0 X 1,8 / GASKET / BAQUE D'ETANCHEITE	6.472-106.0	1
3	O-RING 32,0 X 1,6 / GASKET / BAQUE D'ETANCHEITE	6.472-111.0	1
4	O-RING 10,0 X 2,4 / GASKET / BAQUE D'ETANCHEITE	6.472-112.0	1
5	FILTEREINSATZ / FILTER CARTRIDGE / CARTOUCHE FILTRANTE	6.472-113.0	1
6	FILTERGEHAEUSE KPL. / FILTER CASE / BATI DE FILTRE	6.472-123.0	1
7	SCHUTZKAPPE / PROTECTING CAP / CAPOT PROTECTION	6.472-122.0	1
8	FEDERGEHAEUSE / SPRING HOUSING / BARILLET	6.472-109.0	1
10	STIFT / PIN / CHEVILLE	6.472-108.0	1
12	MEMBRANE / DIAPHRAGM / MEMBRANE	6.472-128.0	1
14	RAENDELMUTTER / KNURLED NUT / ECROU MOLETE	6.472-340.0	1
17	O-RING 12,0 X 1,5 / GASKET / BAQUE D'ETANCHEITE	6.472-125.0	1
18	MAGNETVENTIL / SOLENOID VALVE / ELECTROVANNE	6.472-411.0	1
19	O-RING 28,5 X 1,6 / GASKET / BAQUE D'ETANCHEITE	6.472-120.0	1
22	ACHSENDICHTUNG / SHAFT SEAL / ETOUPAGE D'ESSIEU	6.472-105.0	1

"=> xxxxxx" = bis Werknummer / up to serial No. / jusqu' au No. de fabr. / "xxxxxx =>" = ab Werknummer / from serial No. / a partir du No. de fabr. /

105046

01212150

59586850

GRUPPE: 6.0 E-GERAETESCHRANK
GROUP: 6.0 ELECTRIC CONTROL BOX
GRUPPE: 6.0 COFFRET ELECTRIQUE

A6

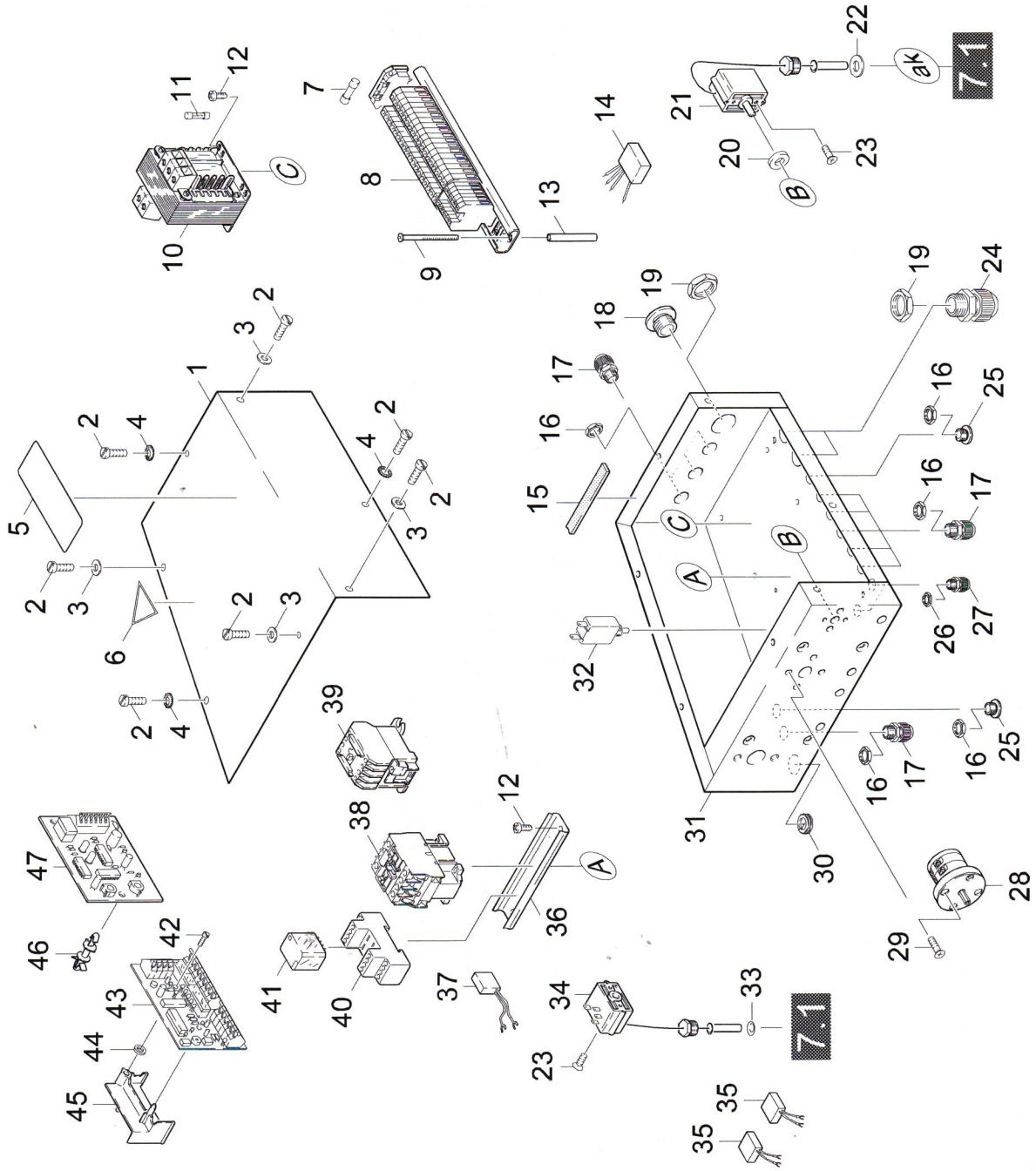
HDS 891/1291ST

GRUPPE: 6.0 E-GERAETESCHRANK
GROUP: 6.0 ELECTRIC CONTROL BOX
GRUPPE: 6.0 COFFRET ELECTRIQUE

GRUPPE: 6.0 E-GERAETESCHRANK
 GROUP: 6.0 ELECTRIC CONTROL BOX
 GROUPE: 6.0 COFFRET ELECTRIQUE

B6

HDS 891/1291ST



Symbolbeschreibung siehe M16 / symbol description see M16 / désignation de système voir M16 /

GRUPPE: 6.0 E-GERAETESCHRANK
 GROUP: 6.0 ELECTRIC CONTROL BOX
 GROUPE: 6.0 COFFRET ELECTRIQUE

C6

HDS 891/1291ST

POS. ITEM. POS.	BENENNUNG DESCRIPTION DESIGNATION	STCK QTY. NBR.	TEILE-NR. NO.PIECE	POS. ITEM. POS.	BENENNUNG DESCRIPTION DESIGNATION	TEILE-NR. NO.PIECE	STCK QTY. NBR.
1	DECKEL / COVER / COUVERCLE	1	5.063-968.0	30	PROFILDICHTUNG / SEAL / ETOUPE PROFILE	5.365-109.0	1
2	SCHRAUBE M 5X 12 / SCREW / VIS	6	7.303-038.0	31	BLECHTEIL / PLATE / TOLE	5.049-651.0	1
3	SCHIBE 5 / WASHER / RONDELLE	8	7.312-002.0	32	SCHUTZSCHALTER 1.5A / SAFETY SWITCH / DISJONCTEUR DE PROTECTION	6.635-166.0	1
4	ZAHNSCHIBE A 5,3 / LOCK WASHER / ROUE PLATE	3	7.312-172.0	33	DICHTRING 5.5X 8 / JOINT RING / BAGUE DIETANCHEITE	7.362-033.0	1
5	SCHILD / DECAL / PLAQUE	1	5.386-008.0	34	ABGAS-TEMP.WAECHTER / FLUE-GAS TEMPERAT.MONITOR / CONTR.TEMPER.DE GAZ	6.685-941.0	1
6	SCHILD / DECAL / PLAQUE	1	5.386-007.0	35	ENTSTOERGLIED 24V / INTERFERENCE UNIT / ELEMENT D'ANTI-PARASITE	6.641-802.0	2
7	E-SICHERUNG 10A / FUSE / FUSIBLE	1	6.644-074.0	36	HUTSCHIEBE 35X 7,5 / RAIL / RAIL	7.233-313.0	1
8	KLEMMLEISTE / STRIP TERMINAL / BORNE PLATE	1	6.643-802.0	37	VARIATOR / RESISTOR / RESISTANCE	6.632-275.0	1
9	SCHNEIDSCHR. M 6X 60 / SELF-TAPPING SCREW / VIS AUTOTARAUEUSE	2	7.303-505.0	38	SCHUETZ 24V 60HZ / CONTACTOR / CONTACTEUR / 1.698-911.0 / 1.699-911.0	6.632-124.0	1
10	STEUERTRAFU 40VA / TRANSFORMER / TRANSFORMATEUR	1	6.622-021.0	38	SCHUETZ 15KW 24VAC / CONTACTOR / CONTACTEUR / 1.698-912.0 / -913.0 / 1.699-912.0 / -913.0	6.632-283.0	1
11	G-SCHMELZEINSATZ / CARTRIDGE / BOUCHON FUSIBLE	1	6.644-052.0	39	MOTORSCHUTZRELAIS / PROTECTIVE MOTOR RELAY / RELAIS MOTEUR	6.633-353.0	1
12	SCHRAUBE M 4X 8 / SCREW / VIS	4	7.303-030.0	39	MOTORSCHUTZRELAIS / PROTECTIVE MOTOR RELAY / RELAIS MOTEUR	6.633-354.0	1
13	ROHR / PIPE / TUYAU	2	5.025-727.0	39	MOTORSCHUTZRELAIS / PROTECTIVE MOTOR RELAY / RELAIS MOTEUR	6.633-445.0	1
14	FUNKENTSTOERFILTER / INTERFERENCE SUPPRESSOR / FILTRE ANTI-PARASITE	1	6.661-091.0	40	SOCKEL / BASE / SOCLE / 1.699-912.0 / -913.0	6.633-260.0	1
15	ZELLGUMMIBAND 19X4 / CELL. RUBBER BAND / RUBAN CAOUT.	1	6.273-042.0	41	RELAIS 24V AC / RELAY / RELAIS	6.633-276.0	1
16	GEGENMUTTER / COUNTERNUT / CONTRE-ECROU	11	6.648-415.0	42	SENKCHR. M 4X 10 / FLAT HEADED SCREW / VIS A TETE CONIQUE	7.305-035.0	1
17	KABELVERSCHRAUBUNG / CABLE CONNECTOR / RACCORD DE CABLES	9	6.648-399.0	43	PLATINE BRENNER / CIRCUIT BOARD / PLATINE	6.682-306.0	1
18	BLINDSTOPFEN / BLIND PLUG / BOUCHON	1	6.648-425.0	44	SCHIBE 4 / WASHER / RONDELLE	7.312-100.0	1
19	GEGENMUTTER / COUNTERNUT / CONTRE-ECROU	3	6.648-206.0	45	AUFLAGER / SUPPORT / SUPPORT	5.057-043.0	1
20	SCHIBE 12X5X2.0 / WASHER / RONDELLE	1	6.362-254.0	46	VERSCHLUSSSHAKEN / LOCK (HOOK) / FERMETURE (CROCHET)	6.373-482.0	3
21	TEMPERATURREGLER / THERMOSTAT / THERMOSTAT	1	6.685-375.0	47	TIMERMODUL / TIMER MODULE / MODULE	6.631-538.0	1
22	SCHIBE / WASHER / RONDELLE	1	5.115-275.0				
23	SENKCHR. M 4X 8 / FLAT HEADED SCREW / VIS A TETE CONIQUE	4	7.305-016.0				
24	KABELVERSCHRAUBUNG / CABLE CONNECTOR / RACCORD DE CABLES	2	6.648-401.0				
25	BLINDSTOPFEN / BLIND PLUG / BOUCHON	1	6.648-423.0				
26	GEGENMUTTER / COUNTERNUT / CONTRE-ECROU	2	6.648-414.0				
27	KABELVERSCHRAUBUNG / CABLE CONNECTOR / RACCORD DE CABLES	2	6.648-398.0				
28	SCHALTER / SWITCH / INTERRUPTUEUR / 1.698-911.0 / 1.699-911.0	1	6.631-081.0				
28	SCHALTER / SWITCH / INTERRUPTUEUR / 1.698-912.0 / -913.0 / 1.699-912.0 / -913.0	1	6.631-877.0				
29	SENKCHR. M 4X 12 / FLAT HEADED SCREW / VIS A TETE CONIQUE	2	7.305-018.0				

"=> xxxxxx" = bis Werknummer / up to serial No. / jusqu' au No. de fabr. / "xxxxxx =>" = ab Werknummer / from serial No. / a partir du No. de fabr. /

GRUPPE: 7.0 DURCHLAUFERHITZER
GROUP: 7.0 FLOW HEATER
GRUPPE: 7.0 CHAUFFE-EAU RAPIDE

A7

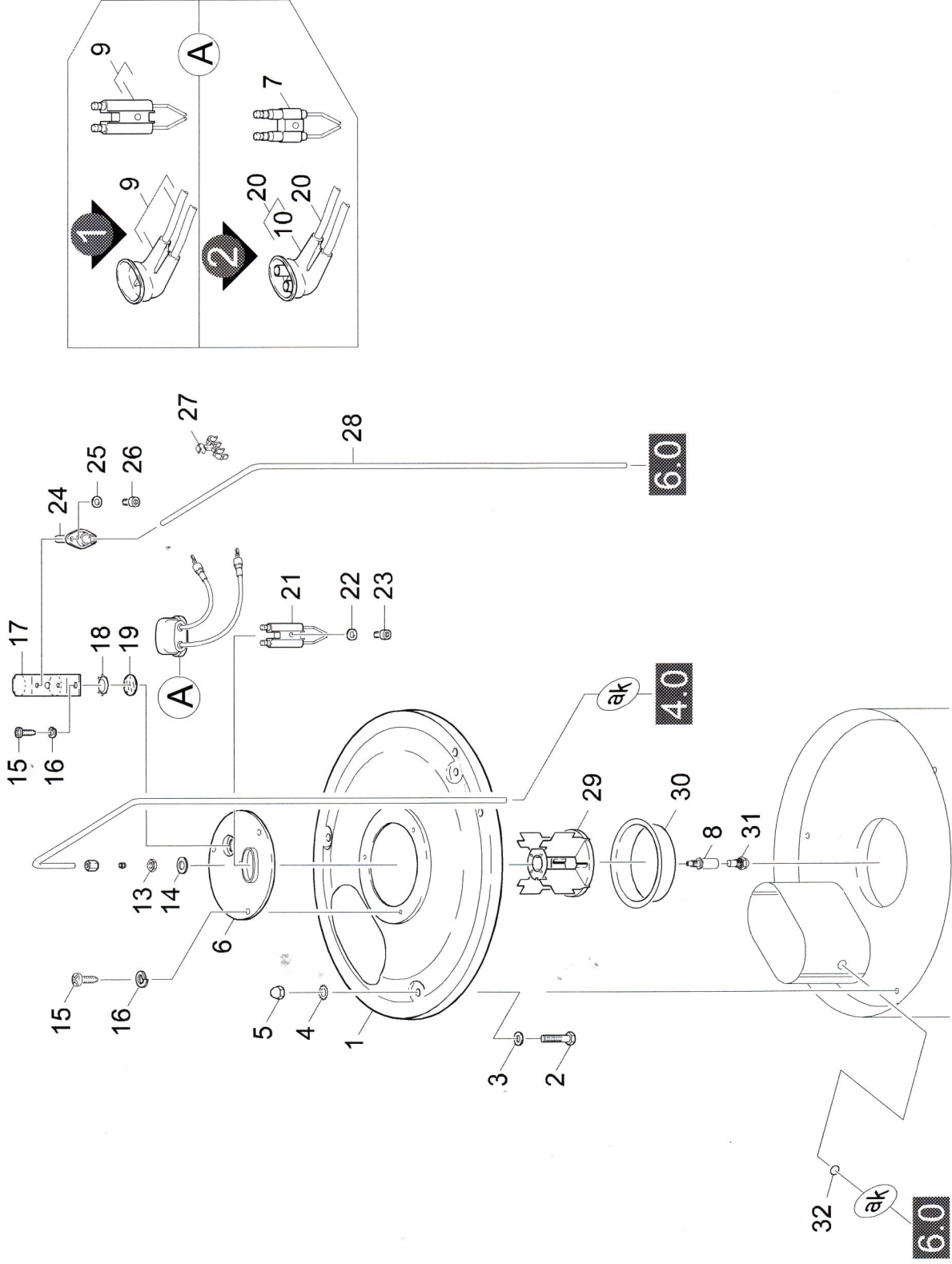
HDS 891/1291ST

GRUPPE: 7.0 DURCHLAUFERHITZER
GROUP: 7.0 FLOW HEATER
GRUPPE: 7.0 CHAUFFE-EAU RAPIDE

GRUPPE: 7.1 BRENNERDECKEL
 GROUP: 7.1 BURNER COVER
 GROUPE: 7.1 COUVERCLE BRULEUR

B7

HDS 891/1291ST



Symbolbeschreibung siehe M16 / symbol description see M16 / désignation de système voir M16 /

GRUPPE: 7.1 BRENNERDECKEL
 GROUP: 7.1 BURNER COVER
 GROUPE: 7.1 COUVERCLE BRULEUR

C7

HDS 891/1291ST

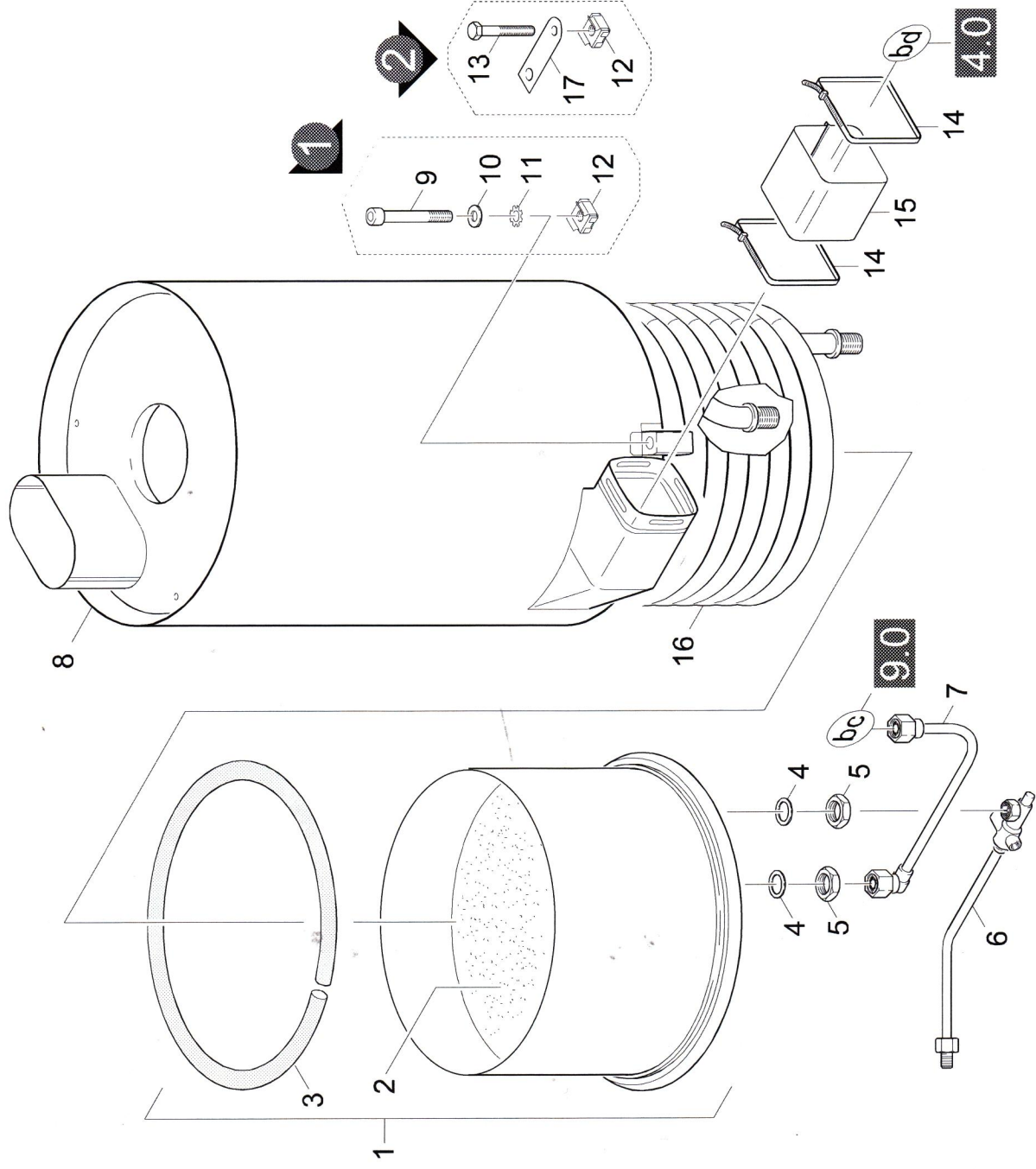
POS. ITEM. POS.	BENENNUNG DESCRIPTION DESIGNATION	TEILE-NR. PART-NO. NO.PIECE	STCK QTY. NBR.	POS. ITEM. POS.	BENENNUNG DESCRIPTION DESIGNATION	TEILE-NR. PART-NO. NO.PIECE	STCK QTY. NBR.
1	DECKEL D.K. / COVER / COUVERCLE / 1.698-911.0 / -912.0 / -913.0	5.654-045.0	1	30	BRENNERTEIL / BURNER PART / PIECE DE BRULEUR / 1.699-911.0 / -912.0 / -913.0	5.664-229.0	1
1	DECKEL D.K. / COVER / COUVERCLE / 1.699-911.0 / -912.0 / -913.0	5.654-046.0	1	31	DUESE 60GRAD H / NOZZLE / BUSE / 1.699-911.0 / -912.0 / -913.0	6.415-530.0	1
2	SCHRAUBE M 6X 30 / SCREW / VIS	7.306-105.0	3	31	DUESE / NOZZLE / BUSE / 1.698-911.0 / -912.0 / -913.0	6.415-641.0	1
3	SICHERUNGSSCHEIBE / LOCK WASHER / RONDELLE D'ARRET	6.343-119.0	3	32	DICHTRING 5,5X 8 / JOINT RING / BAGUE D'ETANCHEITE	7.362-033.0	1
4	ZAHNSCHEIBE A 6,4 / LOCK WASHER / ROUE PLATE	7.312-167.0	3				
5	HUTMUTTER M 6 / CAP NUT / ECROU BORGNE	7.311-380.0	3				
6	BRENNERDECKEL / BURNER COVER / COUVERCLE BRULEUR	5.662-019.0	1				
7	ET-SET NEUTRAL / SPARE PARTS SET / JEU DE PIECES DECHANGE	2.884-085.0	1				
8	DUESENHALTER / NOZZLE HOLDER / PORTE - BUSE	5.667-055.0	1				
9	UBS ZUENDKABEL / CONVERSION KIT / KIT DE MODIFIC.	2.638-976.0	1				
10	SCHUTZKAPPE / PROTECTING CAP / CAPOT PROTECTION	5.394-470.0	1				
13	6KT-MUTTER M10X1 / HEXAGON NUT / ECROU HEXAGONAL	7.311-101.0	1				
14	FEDERSCHEIBE B 10,0 / WASHER / RONDELLE ELAST.	7.312-302.0	1				
15	SCHRAUBE M 5X 16 / SCREW / VIS	7.303-039.0	3				
16	FEDERING B 5 / SPRING WASHER / RONDELLE GROWER	7.313-016.0	3				
17	HALTER / BRACKET / FIXATION	4.042-690.0	1				
18	ZACKENRING / RING / ANNEAU	6.343-165.0	1				
19	GLASSCHEIBE / GLASS PANE / VITRE	6.278-018.0	1				
20	ZUENDKABEL KPL. / IGNITION CABLE / FIL D'AMORCE	4.821-072.0	1				
21	ZUENDELEKTRODE / IGNITION ELECTRODE / ELECTR.D'AMORCAGE	5.826-050.0	1				
22	FEDERSCHEIBE B 5,0 / WASHER / RONDELLE ELAST.	7.312-304.0	1				
23	SCHRAUBE M 5X 14 / SCREW / VIS	7.306-217.0	1				
24	LICHTFUEHLER / PROBE / CELLULE PHOTOELECTRIQUE	6.664-020.0	1				
25	SCHEIBE 4 / WASHER / RONDELLE	7.312-001.0	2				
26	SCHRAUBE M 4X 12 / SCREW / VIS	7.303-032.0	2				
27	HALTER / BRACKET / FIXATION	6.647-527.0	2				
28	WELLROHR / CORRUGATED PIPE / TUBE ONDULE	6.642-041.0	1				
29	BRENNEREINSATZ / BURNER CAGE / BRULEUR CAGE / 1.698-911.0 / -912.0 / -913.0	4.663-088.0	1				
29	BRENNEREINSATZ / BURNER CAGE / BRULEUR CAGE / 1.699-911.0 / -912.0 / -913.0	4.663-122.0	1				
30	BRENNERTEIL / BURNER PART / PIECE DE BRULEUR / 1.698-911.0 / -912.0 / -913.0	5.664-195.0	1				

"=> xxxxxx" = bis Werknummer / up to serial No. / jusqu' au No. de fabr. / "xxxxxx =>" = ab Werknummer / from serial No. / a partir du No. de fabr. /

GRUPE: 7.2 DURCHLAUFKESSEL
GROUP: 7.2 BOILER
GROUPE: 7.2 CHAUFFE-EAU RAPIDE

D7

HDS 891/1291ST



Symbolbeschreibung siehe M16 / symbol description see M16 / désignation de système voir M16 /

GRUPPE: 7.2 DURCHLAUFKESSEL
 GROUP: 7.2 BOILER
 GROUPE: 7.2 CHAUFFE-EAU RAPIDE

E7

HDS 891/1291ST

POS. ITEM. POS.	BENENNUNG DESCRIPTION DESIGNATION	TEILE-NR. PART-NO. NO.PIECE	STCK QTY. NBR.	POS. ITEM. POS.	BENENNUNG DESCRIPTION DESIGNATION	TEILE-NR. PART-NO. NO.PIECE	STCK QTY. NBR.
1	BODEN D.K. / BOTTOM / FOND / 1.698-911.0 / -912.0 / -913.0	4.655-047.0	1	14	SPANBAND / BANNER / BANDEROLE	6.388-608.0	2
1	BODEN D.K. / BOTTOM / FOND / 1.699-911.0 / -912.0 / -913.0	4.655-048.0	1	15	TUCHMANSCHETTE / CLOTH COLLAR / MANCHETTE	5.178-026.0	1
2	STAMPFMASSE 8KG / REFRACTORY MATERIAL / PISE REFRACT. DAME	2.889-061.0	1	16	HEIZSCHLANGE / HEATING COIL / SERPENTIN / 1.698-911.0 / -912.0 / -913.0	4.680-097.0	1
3	DICHTSCHNUR / SEAL STRING / CORDE DE BOURRAGE / 1.698-911.0 / -912.0 / -913.0	6.366-009.0	1	16	HEIZSCHLANGE / HEATING COIL / SERPENTIN / 1.699-911.0 / -912.0 / -913.0	4.680-098.0	1
3	DICHTSCHNUR / SEAL STRING / CORDE DE BOURRAGE / 1.699-911.0 / -912.0 / -913.0	6.366-039.0	1	16	HEIZSCHLANGE VA / HEATING COIL / SERPENTIN / 1.698-911.0 / -912.0 / -913.0	4.680-113.0	1
4	PROFILDICHTUNG / SEAL / ETOUPE PROFILE	5.365-068.0	2	17	HEIZSCHLANGE VA / HEATING COIL / SERPENTIN / 1.698-911.0 / -912.0 / -913.0	4.680-114.0	1
5	6KT-MUTTER M22X1.5 / HEXAGON NUT / ECROU HEXAGONAL	7.311-155.0	2		HALTER / BRACKET / FIXATION VERSION 2	5.042-833.0	3
6	ROHRLEITUNG / PIPELINES / CONDUITE / 1.699-911.0 / -912.0 / -913.0	4.421-674.0	1		/ 1.698-911.0 / -912.0 / -913.0		
6	ROHRLEITUNG / PIPELINES / CONDUITE / 1.698-911.0 / -912.0 / -913.0	4.421-675.0	1				
7	ROHRLEITUNG / PIPELINES / CONDUITE / 1.699-911.0 / -912.0 / -913.0	4.421-634.0	1				
7	ROHRLEITUNG / PIPELINES / CONDUITE / 1.698-911.0 / -912.0 / -913.0	4.421-635.0	1				
8	AUSSENMANTEL / OUTER JACKET / ENVELOPPE / 1.699-911.0 / -912.0 / -913.0	4.652-079.0	1				
8	AUSSENMANTEL / OUTER JACKET / ENVELOPPE / 1.698-911.0 / -912.0 / -913.0	4.652-127.0	1				
9	ZYL.SCHR. M 8X 65 / CHEESE HEAD SCREW / VIS A TETE CYLINDR.	7.306-151.0	3				
	VERSION 1						
10	SCHEIBE 8 / WASHER / RONDELLE VERSION 1	7.312-004.0	3				
11	ZAHNSCHEIBE A 8,4 / LOCK WASHER / ROUE PLATE VERSION 1	7.312-159.0	3				
12	KAFIGMUTTER M8 / NUT / ECROU	6.311-013.0	3				
13	6KT-SCHR. M 8X 16 / HEXAGONAL HEAD SCREW / VIS HEXAGONAL / 1.698-911.0 / -912.0 / -913.0	7.304-051.0	3				

"=> xxxxxx" = bis Werknummer / up to serial No. / jusqu' au No. de fabr. / "xxxxx =>" = ab Werknummer / from serial No. / a partir du No. de fabr. /

GRUPPE: 8.0 SCHWIMMERKASTEN
GROUP: 8.0 FLOAT CHEST
GRUPPE: 8.0 BOITE DU FLOTTEUR

A8

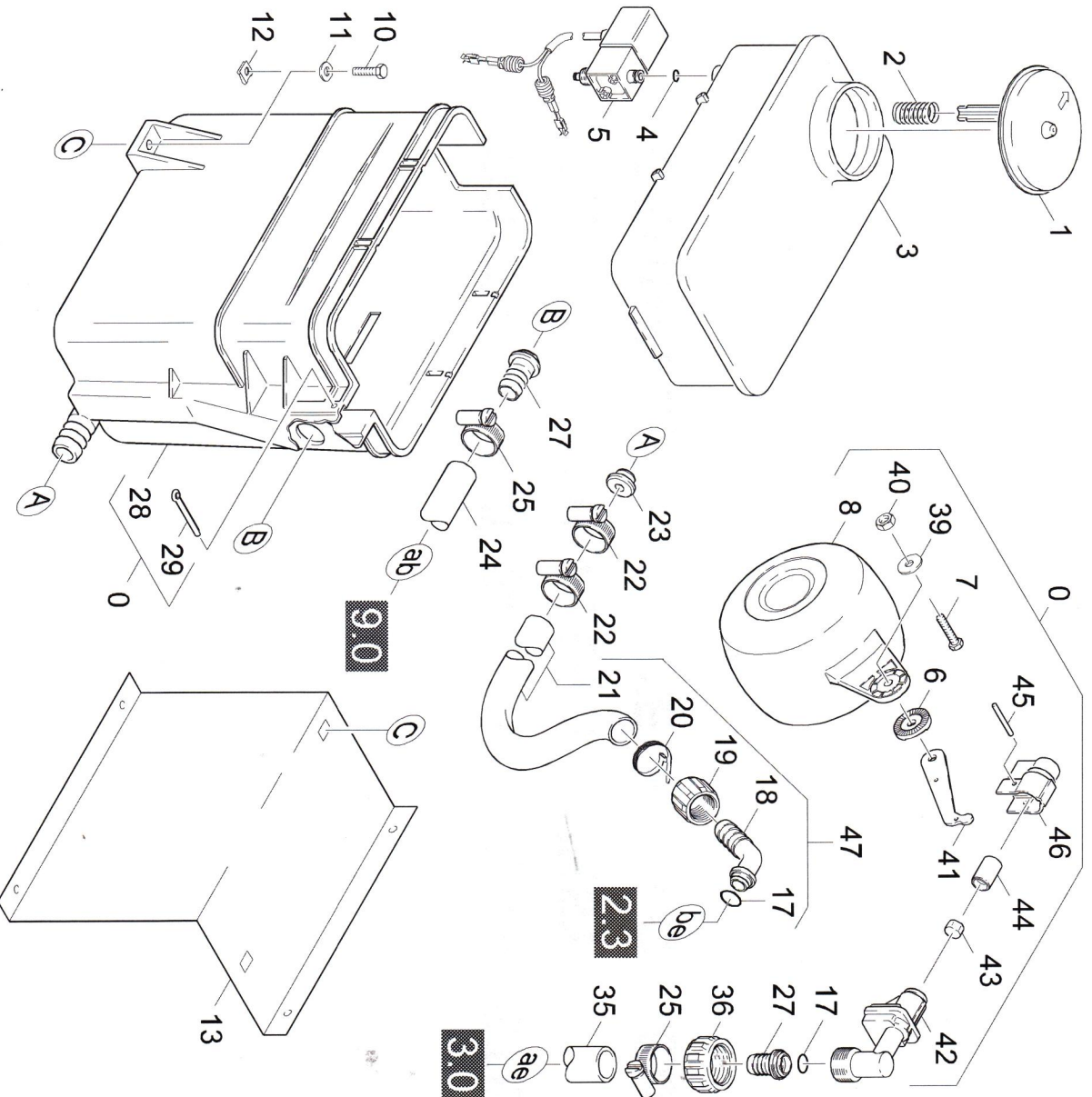
HDS 891/1291ST

GRUPPE: 8.0 SCHWIMMERKASTEN
GROUP: 8.0 FLOAT CHEST
GRUPPE: 8.0 BOITE DU FLOTTEUR

GRUPPE: 8.0 SCHWIMMERKASTEN
GROUP: 8.0 FLOAT CHEST
GRUPPE: 8.0 BOTTE DU FLOTTEUR

B8

HDS 891/1291ST



Symbolbeschreibung siehe M16 / symbol description see M16 / désignation de système voir M16 /

108064

01360800

59586850

GRUPPE: 8.0 SCHWIMMERKASTEN
 GROUP: 8.0 FLOAT CHEST
 GROUPE: 8.0 BOITE DU FLOTTEUR

C8

HDS 891/1291ST

POS. ITEM. POS.	BENENNUNG DESCRIPTION DESIGNATION	STCK QTY. NBR.	TEILE-NR. PART-NO. NO.PIECE	POS. ITEM. POS.	BENENNUNG DESCRIPTION DESIGNATION	TEILE-NR. PART-NO. NO.PIECE	STCK QTY. NBR.
0	SCHWIMMERVERTIL / FLOAT VALVE / SOUPAPE A FLOTTEUR	1	3.593-060.0	42	VENTILGEHAEUSE / VALVE HOUSING / CORPS DE SOUPAPE	5.587-103.0	1
1	DECKEL / COVER / COUVERCLE	1	5.063-226.0	43	FLACHDICHTUNG / SEAL / GARNITURE PLATE	5.364-095.0	1
2	SCHRAUBENFEDER / HELICAL SPRING / RESSORT CYLINDRIQUE	1	5.332-001.0	44	VENTILBOLZEN / VALVE PIN / BOULON DE SOUPAPE	5.584-026.0	1
3	BEHAELTER / TANK / BAC	1	4.070-094.0	45	BOLZEN 3,0X 25 / BOLT / BOULON	7.316-004.0	1
4	O-RING 6,0 X 2,0 / GASKET / BAQUE D'ETANCHEITE	1	6.362-113.0	46	SCHUTZTEIL / PROTECTION PART / PARTIE PROTECTEUR	5.394-066.0	1
5	MAGNETVENTIL / SOLENOID VALVE / ELECTROVANNE	1	6.685-845.0	47	SCHLAUCH / HOSE / TUYAU FLEXIBLE	4.440-349.0	1
6	SCHEIBE / WASHER / RONDELLE	1	5.115-158.0				
7	SCHRAUBE M 6 X 20 / SCREW / VIS	1	7.306-194.0				
8	SCHWIMMER / FLOAT / FLOTTEUR	1	5.585-004.0				
10	BL.SCHR. ST4,8X25 / SHEET METAL SCREW / VIS A TOLE	2	7.303-079.0				
11	SCHEIBE 5 / WASHER / RONDELLE	2	7.312-278.0				
12	SCHNAPPMUTTER 4,8 / SNAP NUT / ECROU A ENCLANCH.	2	6.310-028.0				
13	BLECHTEIL / PLATE / TOLE	1	5.049-630.0				
17	O-RING 13,3 X 2,4 / GASKET / BAQUE D'ETANCHEITE	2	6.362-078.0				
18	SCHLAUCHNIPPEL / HOSE STEM / RACCORD DE FLEXIBLE	1	5.443-211.0				
19	MUTTER / NUT / ECROU	1	5.310-062.0				
20	KABELBAND 8-210 / CABLE TIE / PROTECT. DE CABLE	1	6.641-474.0				
21	SCHLAUCH DN19 / HOSE / TUYAU FLEXIBLE	1	6.388-155.0				
22	SCHLAUCHSCHELLE / HOSE BAND CLIP / COLLIER DE SERRAGE	2	6.388-548.0				
23	BUCHSE / BUSH / DOUILLE	1	5.112-325.0				
24	SCHLAUCH DN16 / HOSE / TUYAU FLEXIBLE	1	6.388-719.0				
	ALS METERWARE BESTELLEN/TO ORDER AS CUT GOODS/COMMANDE COMME MARCHANDISE AU METRE						
25	SCHLAUCHSCHELLE / HOSE BAND CLIP / COLLIER DE SERRAGE	4	6.388-547.0				
26	SCHLAUCHNIPPEL / HOSE STEM / RACCORD DE FLEXIBLE	1	5.443-285.0				
27	SCHLAUCHNIPPEL / HOSE STEM / RACCORD DE FLEXIBLE	1	5.443-224.0				
28	BEHAELTER / TANK / BAC	1	5.070-076.0				
29	SPLINT 4,0X 50 / COTTER / GOUIPILLE FENDUE	1	7.316-432.0				
35	SCHLAUCHSTUECK / HOSE / BOUT DE TUYAU / 1.698-911.0 / -912.0 / -913.0	1	5.442-598.0				
35	SCHLAUCHSTUECK / HOSE / BOUT DE TUYAU / 1.699-911.0 / -912.0 / -913.0	1	5.442-974.0				
36	MUTTER R 3/4Z / NUT / ECROU	1	5.310-061.0				
39	SCHEIBE 6 / WASHER / RONDELLE	1	7.312-279.0				
40	6KT-MUTTER M 6 / HEXAGON NUT / ECROU HEXAGONAL	1	7.311-422.0				
41	HEBEL / LEVER / LEVIER	1	5.481-029.0				

"=> xxxxxx" = bis Werknummer / up to serial No. / jusqu' au No. de fabr. / "xxxxxx =>" = ab Werknummer / from serial No. / a partir du No. de fabr. /

GRUPPE: 9.0 SICHERHEITSBLOCK
GROUP: 9.0 SAFETY SYSTEM
GROUPE: 9.0 BLOC DE SECURITE

A9

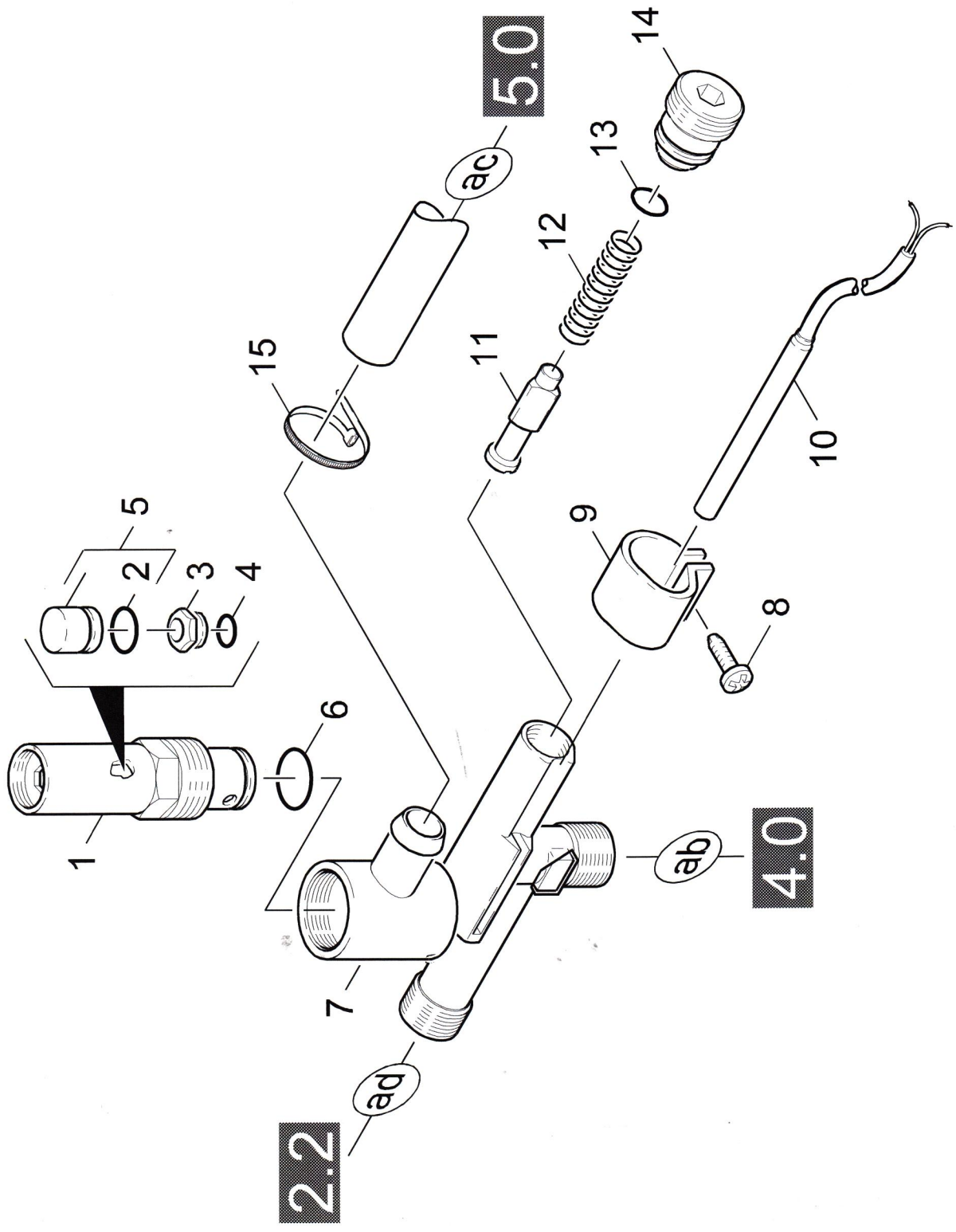
HDS 891/1291ST

**GRUPPE: 9.0 SICHERHEITSBLOCK
GROUP: 9.0 SAFETY SYSTEM
GROUPE: 9.0 BLOC DE SECURITE**

GRUPPE: 9.0 SICHERHEITSBLOCK
GROUP: 9.0 SAFETY SYSTEM
GRUPPE: 9.0 BLOC DE SECURITE

B9

HDS 891/1291ST



Symbolbeschreibung siehe M16 / symbol description see M16 / désignation de système voir M16 /

GRUPE: 9.0 SICHERHEITSBLOCK
 GROUP: 9.0 SAFETY SYSTEM
 GROUPE: 9.0 BLOC DE SECURITE

C9

HDS 891/1291ST

POS. ITEM. POS.	BENENNUNG DESCRIPTION DESIGNATION	TEILE-NR. PART-NO. NO. PIECE	STCK QTY. NBR.
1	SICHERHEITSVENTIL / SAFETY VALVE / SOUPAPE (TROP-PLEIN)	6.412-800.0	1
2	O-RING 14,0 X 2,0 / GASKET / BAQUE DETANCHEITE	6.362-481.0	1
3	VENTILSITZ / VALVE SEAT / SIEGE DE SOUPAPE	6.412-263.0	1
4	O-RING 8,0 X 1,5 / GASKET / BAQUE DETANCHEITE	6.362-388.0	1
5	KOLBEN MIT DICHTUNG / PISTON / PISTON	6.412-264.0	1
6	O-RING 17,0 X 2,0 / GASKET / BAQUE DETANCHEITE	6.362-580.0	1
7	GEHAUSE / HOUSING / BOTTIER	5.060-862.0	1
8	LINSENSCHR. 4,2X 13 / OVAL HEAD SCREW / VIS A TETE BOMBEE	6.303-122.0	1
9	SCHELLE / CLAMP / COLLIER	5.041-076.0	1
10	ERSATZREEDSCHALTER / SPARE REED SWITCH / INTERRUPT REED DE RESERVE	2.880-194.0	1
11	KOLBEN / PISTON / PISTON	4.553-022.0	1
12	SCHRAUBENFEDER / HELICAL SPRING / RESSORT CYLINDRIQUE	5.332-057.0	1
13	O-RING 10 X 1,5 / GASKET / BAQUE DETANCHEITE	6.362-482.0	1
14	FORMSCHRAUBE / SCREW / VIS	5.305-162.0	1
15	KABELBAND 8-210 / CABLE TIE / PROTECT. DE CABLE	6.641-474.0	1

"=> xxxxxx" = bis Werknummer / up to serial No. / jusqu' au No. de fabr. / "xxxxxx =>" = ab Werknummer / from serial No. / a partir du No. de fabr. /

706061

01412660 59586850

GRUPPE: 10.0INSTRUMENTENTAFEL
GROUP: 10.0CONTROL PANEL
GRUPPE: 10.0TABLEAU DE BORD

A10

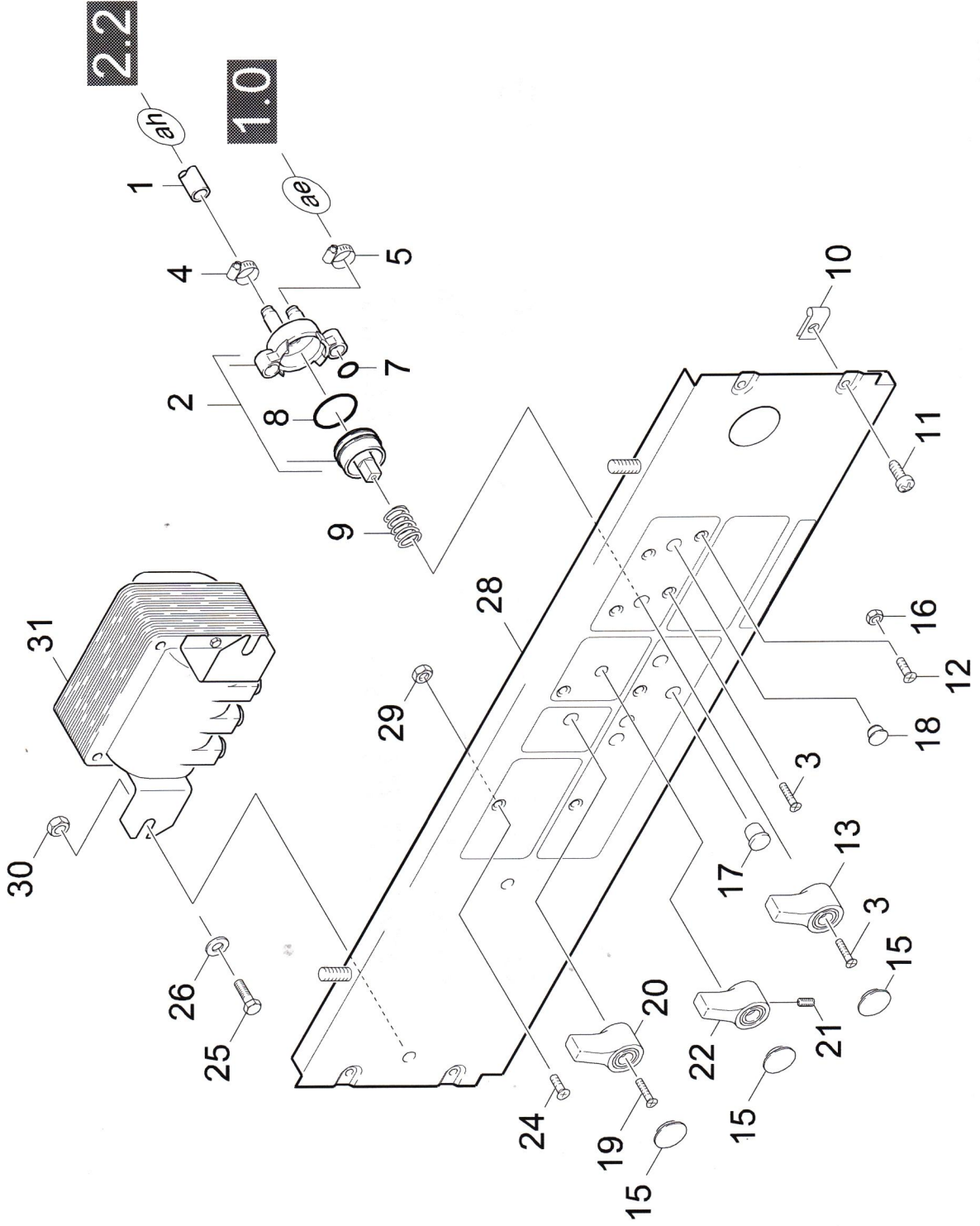
HDS 891/1291ST

GRUPPE: 10.0INSTRUMENTENTAFEL
GROUP: 10.0CONTROL PANEL
GRUPPE: 10.0TABLEAU DE BORD

GRUPPE: 10.1 INSTRUMENTENTAFEL
GROUP: 10.1 CONTROL PANEL
GRUPPE: 10.1 TABLEAU DE BORD

B10

HDS 891/1291ST



Symbolbeschreibung siehe M16 / symbol description see M16 / désignation de système voir M16 /

GRUPE: 10.1 INSTRUMENTENTAFEL
 GROUP: 10.1 CONTROL PANEL
 GROUPE: 10.1 TABLEAU DE BORD

C10

HDS 891/1291ST

POS. ITM. POS.	BENENNUNG DESCRIPTION DESIGNATION	TEILE-NR. NO.PIECE	STCK QTY. NBR.	POS. ITM. POS.	BENENNUNG DESCRIPTION DESIGNATION	TEILE-NR. PART-NO. NO.PIECE	STCK QTY. NBR.
1	SCHLAUCH DN 8 -PVC / HOSE / TUYAU FLEXIBLE	6.388-247.0	1	31	ZUENDTRAFO 230V / TRANSFORMER / TRANSFORMATEUR	6.622-167.0	1
2	VENTIL - ERSATZ / VALVE / SOUPAPE	4.580-188.0	1		/ 1.698-913.0 / 1.699-913.0		
3	SENKCHR. 4 X 16 / FLAT HEADED SCREW / VIS A TETE CONIQUE	7.303-125.0	3				
4	SCHLAUCHSCHELLE / HOSE BAND CLIP / COLLIER DE SERRAGE	6.388-544.0	1				
5	SCHLAUCHSCHELLE / HOSE BAND CLIP / COLLIER DE SERRAGE	6.388-561.0	1				
7	O-RING 5 X 1,5 / GASKET / BAQUE D'ETANCHEITE	6.362-386.0	1				
8	O-RING 26,0 X 2,5 / GASKET / BAQUE D'ETANCHEITE	6.362-385.0	1				
9	SCHRAUBENFEDER / HELICAL SPRING / RESSORT CYLINDRIQUE	5.332-028.0	1				
10	BLECHMUTTER / NUT / ECROU	6.310-121.0	4				
11	BL.SCHR. ST4,8X13 / SHEET METAL SCREW / VIS A TOLE	7.303-076.0	4				
12	SENKCHR. M 4X 10 / FLAT HEADED SCREW / VIS A TETE CONIQUE	7.305-035.0	2				
13	GRIFF / HANDLE / POIGNEE	5.321-067.0	1				
15	STOPFEN / PLUG / BOUCHON	5.132-010.0	3				
16	6KT-MUTTER M 4 / HEXAGON NUT / ECROU HEXAGONAL	7.311-430.0	4				
17	VERSCHLUSSTOPFEN / DRAIN PLUG / BOUCHON	6.368-064.0	1				
18	ABDECKKAPPE / CAP / CHAPE	6.368-133.0	1				
19	ZYL.SCHR. M 3,5X 12 / CHEESE HEAD SCREW / VIS A TETE CYLINDR.	7.306-415.0	1				
20	GRIFF / HANDLE / POIGNEE	5.321-235.0	1				
21	GEW.STIFT M 5X 10 / THREADED PIN / VIS SANS TETE	7.307-181.0	1				
22	GRIFF / HANDLE / POIGNEE	5.321-294.0	1				
24	SENKCHR. M 5X 10 / FLAT HEADED SCREW / VIS A TETE CONIQUE	7.305-038.0	4				
25	6KT-SCHR. M 6X 12 / HEXAGONAL HEAD SCREW / VIS HEXAGONAL	7.304-382.0	2				
26	SCHIBE 6 / WASHER / RONDELLE	7.312-276.0	2				
28	INSTRUMENTENTAFEL / CONTROL PANEL / TABLEAU DE BORD	4.841-115.0	1				
28	INSTRUMENTENTAFEL / CONTROL PANEL / TABLEAU DE BORD	4.841-116.0	1				
29	6KT-MUTTER M 5 / HEXAGON NUT / ECROU HEXAGONAL	7.311-421.0	4				
30	6KT-MUTTER M 6 / HEXAGON NUT / ECROU HEXAGONAL	7.311-425.0	2				
31	ZUENDTRAFO 230 V / TRANSFORMER / TRANSFORMATEUR	6.622-166.0	1				
	/ 1.698-911.0 / -912.0 / 1.699-911.0 / -912.0						

"=> xxxxxx" = bis Werknummer / up to serial No. / jusqu' au No. de fabr. / "xxxxxx =>" = ab Werknummer / from serial No. / a partir du No. de fabr. /

110106

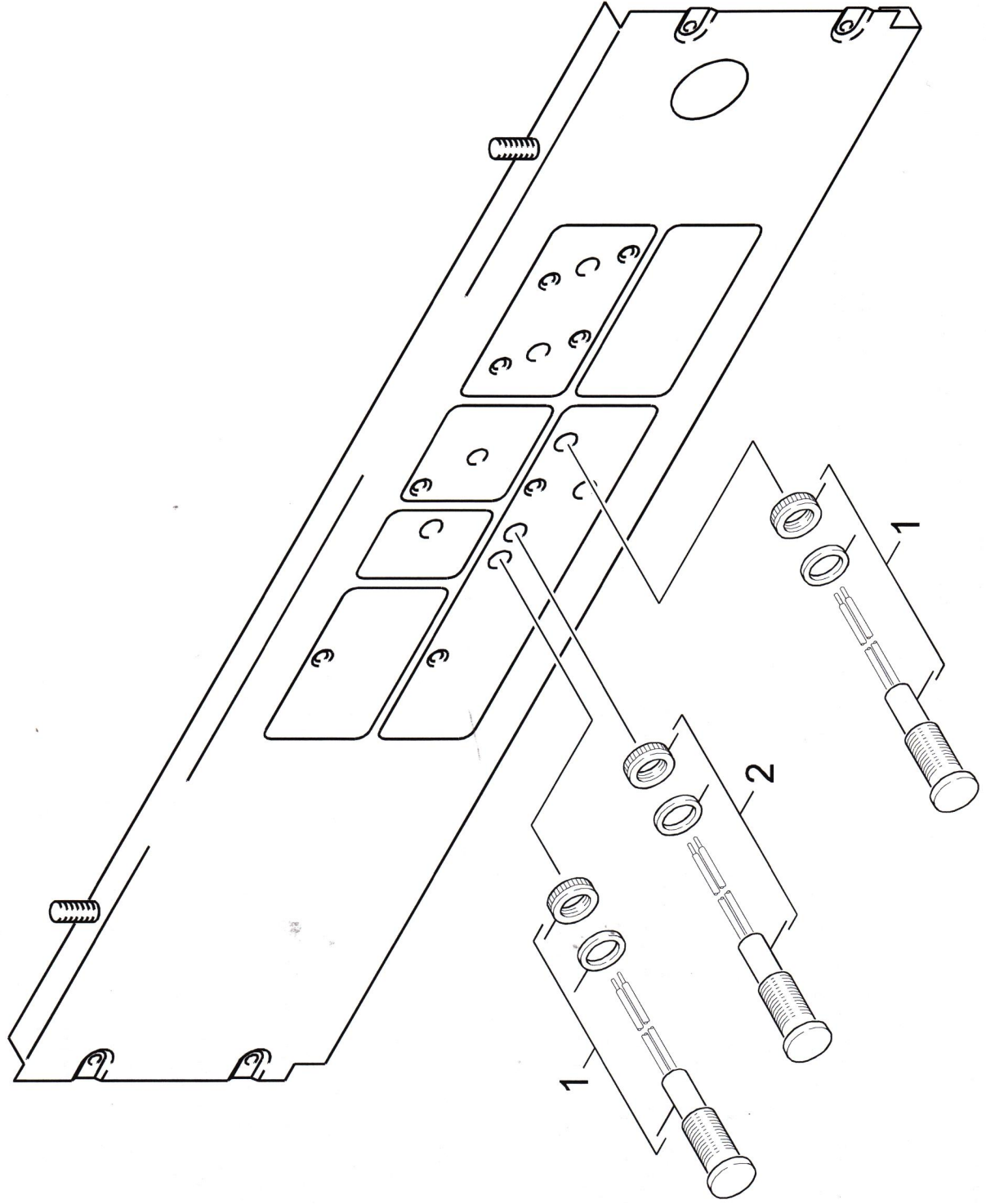
01510840

59586850

GRUPPE: 10.2 SIGNALLEUCHTE
GROUP: 10.2 PILOT LAMP
GRUPPE: 10.2 LAMPE TEMOIN

D10

HDS 891/1291ST



Symbolbeschreibung siehe M16 / symbol description see M16 / désignation de système voir M16 /

GRUPPE: 10.2SIGNALLEUCHTE
GROUP: 10.2PILOT LAMP
GRUPPE: 10.2LAMPE TEMOIN

E10

HDS 891/1291ST

POS.	BENENNUNG ITM. POS.	DESCRIPTION DESIGNATION	TEILE-NR. PART-NO. NO.PIECE	STCK QTY. NBR.
------	---------------------------	----------------------------	-----------------------------------	----------------------

1	SIGNALLEUCHTE ROT / PILOT LAMP / LAMPE TEMOIN		6.651-184.0	3
2	SIGNALLEUCHTE GRUEN / PILOT LAMP / LAMPE TEMOIN		6.651-220.0	1

"=> xxxxxx" = bis Werknummer / up to serial No. / jusqu' au No. de fabr. / "xxxxxx =>" = ab Werknummer / from serial No. / a partir du No. de fabr. /

110107

02010250

59586850

Bestellhinweis

Bei Ihrer Bestellung sind unbedingt anzugeben :

- | | | | | |
|---|---|--|---|---|
| <p>1. Gerätetyp
Machine model
Type d'appareils</p> | <p>2. Herstell-Nr.
Serial-No.
No. de série</p> | <p>3. Benennung
Description
Désignation</p> | <p>4. Teile-Nr.
Part No.
Référence</p> | <p>5. Stückzahl
Piece No.
Quantité</p> |
|---|---|--|---|---|



**siehe Typenschild
see name-plate
voir plaque signalétique**



**siehe Ersatzteilliste
see spare parts list
voir liste des pièces de rechange**

- Die Ersatzteile, welche als Meterware geliefert werden, sind auf Einbaulänge selbst zu kürzen. Ebenso sind die Stückzahlen in den jeweiligen Gruppen als Mindestbestimmungen = 1m angegeben und können je nach Bedarf auf weitere volle Meterzahlen erhöht und bestellt werden.
- Spare Parts which are delivered as cut goods have to be shortened to installation length. The quotation of quantity in each group refers to the minimum order quantity = 1m and may be ordered and raised to further full metre-values according to demand
- Les pièces de rechange qui sont livrées comme marchandise au mètre sont à raccourcir selon la longueur d'installation. Les indications de quantité dans chaque group se réfèrent à des valeurs de mètre de plus.
- Diese Ersatzteilliste erscheint in gedruckter Form sowie als Mikroforme. Bei Querverweisen bezieht sich die Angabe "Seitenzahl" auf die gedruckte Ersatzteilliste und die Angabe "Bildtafel" auf die Mikrofilmausgabe.
- This spare parts list is published both in printed form and as a microforme. In the cross-references, "page number" refers to the printed spare parts list and "display table" to the microfilm edition.
- Cette liste de pièces de rechange est aussi bien imprimée que publiée sous forme de microforme. Les indications transversales renvoient au "numéro de page" sur la liste imprimée des pièces de rechange et à la "planche" sur la microforme.

Bitte beachten Sie, daß der Teileumfang dieser Ersatzteilliste nicht unbedingt dem Lieferumfang Ihres Geräte entspricht.

For your information: It could be that certain parts quoted in this spare parts list were not included with the machine delivery.

Pour votre information: il se peut que certaines pièces détachées mentionnées sur la liste ne vous aient pas été livrées avec l'appareil.

Die in dieser Ersatzteilliste nicht aufgeführten Einzelteile, bestellen Sie bitte direkt beim Vertragskundendienst des jeweiligen Herstellers.

Please order the individual parts not included in this assembly directly with the contract aftersales service of the manufacturer in question.

Veillez s'il vous plaît, commander les pièces détachées qui ne sont indiquées dans notre liste des pièces détachées, directement auprès du service après-vente des fabricants en question.

Bei Bestellung von lackierten Teilen, welche in der Ersatzteilliste nicht in verschiedenen Farben ausgewiesen sind, ist zusätzlich die Farbnummer oder Farbe mit anzugeben. Diese finden Sie auf dem Typenschild oder Farbschild Ihres Gerätes.

Upon ordering of varnished parts which are not mentioned in the spare parts list as parts with different colors, kindly additionally mention the number of the color. It can be seen on the type plate of the color plate of your machine.

Commandant des parts vernissés qui ne sont pas mentionnés comme parts avec une couleur différente dans la liste des pièces détachées, veuillez mentionner de plus le numéro de la couleur. Il se trouve sur la plaque signalétique ou la plaque de couleur de votre machine.

Auflistungen von Einzelteilen bei Ersatzteil - u. Pumpensets sind in der Reihe "16" einzusehen, bzw. direkt unter dem entsprechenden Set aufgelistet.

Listings of single parts upon spare parts kits and pump kits can be seen in row "16" or directly listed below the corresponding kit.

Des établissements des pièces détachées en ce qui concerne les kits des pièces de rechange et les kits de pompes, peuvent être vus à la ligne "16" ou ils sont répertoriés directement au-dessous du jeu correspondant.

Technische Änderungen im Rahmen der Weiterentwicklung sowie das Recht der ausschließlichen Auswertung unseres geistigen Eigentums behalten wir uns vor. Vervielfältigung und Nachdruck nur mit Genehmigung und Urheberhinweis möglich.

We reserve the right to make technical changes in the course of development work and the right to make exclusive use of our intellectual property. This spare parts list may be duplicated or reprinted only with our approval and with acknowledgement of our copyright.

Nous nous réservons le droit de toutes modifications techniques dans le cadre du perfectionnement des mises au point ainsi que le droit de la mise en valeur exclusive de notre propriété intellectuelle. Polycopie et reproduction exclusivement après accord et avec mention de l'auteur.

INDEX

M16

HDS 891/1291ST

GRUPPE: GROUP: GRUPPE:	1.0 EINZELTEILE 1.0 PIECE PARTS 1.0 PIECES CONSTITUANTES	A1-C1	GRUPPE: GROUP: GRUPPE:	9.0 SICHERHEITSBLOCK 9.0 SAFETY SYSTEM 9.0 BLOC DE SECURITE	A9-C9
GRUPPE: GROUP: GRUPPE:	2.0 PUMPENSATZ 2.0 PUMP SET 2.0 JEU (ENSEMBLE) DE POMPE	A2-I2	GRUPPE: GROUP: GRUPPE:	10.0 INSTRUMENTENTAFEL 10.0 CONTROL PANEL 10.0 TABLEAU DE BORD	A10-E10
GRUPPE: GROUP: GRUPPE:	3.0 MOTOR 3.0 MOTOR 3.0 MOTEUR	A3-C3			
GRUPPE: GROUP: GRUPPE:	4.0 GEBLAESE 4.0 BLOWER 4.0 VENTILATEUR	A4-C4			
GRUPPE: GROUP: GRUPPE:	5.0 BRENNSTOFFPUMPE 5.0 FUEL PUMP 5.0 POMPE DE COMBUSTIBLE	A5-C5			
GRUPPE: GROUP: GRUPPE:	6.0 E-GERAETESCHRANK 6.0 ELECTRIC CONTROL BOX 6.0 COFFRET ELECTRIQUE	A6-C6			
GRUPPE: GROUP: GRUPPE:	7.0 DURCHLAUFERHITZER 7.0 FLOW HEATER 7.0 CHAUFFE-EAU RAPIDE	A7-E7			
GRUPPE: GROUP: GRUPPE:	8.0 SCHWIMMERKASTEN 8.0 FLOAT CHEST 8.0 BOITE DU FLOTTEUR	A8-C8			



BEISPIEL: VERSION 1
EXAMPLE: VERSION 1
EXEMPLE: VERSION 1

3.0

BEISPIEL: SIEHE IN GRUPPE 3
EXAMPLE: SEE IN GROUP 3
EXEMPLE: VOIR EN GROUPE 3



WICHTIGER HINWEIS
IMPORTANT REMARK
REMARCAJAGE IMPORTANT

BESTELNHINWEIS SIEHE M15
EXAMPLE ORDER SEE M15
EXEMPLE DE COMMANDE VOIR M15

VARIANTENÜBERSICHT SIEHE L16
VARIANTS SURVEY SEE L16
VUE D'ENSEMBLE DE VARIANTS VOIR L16