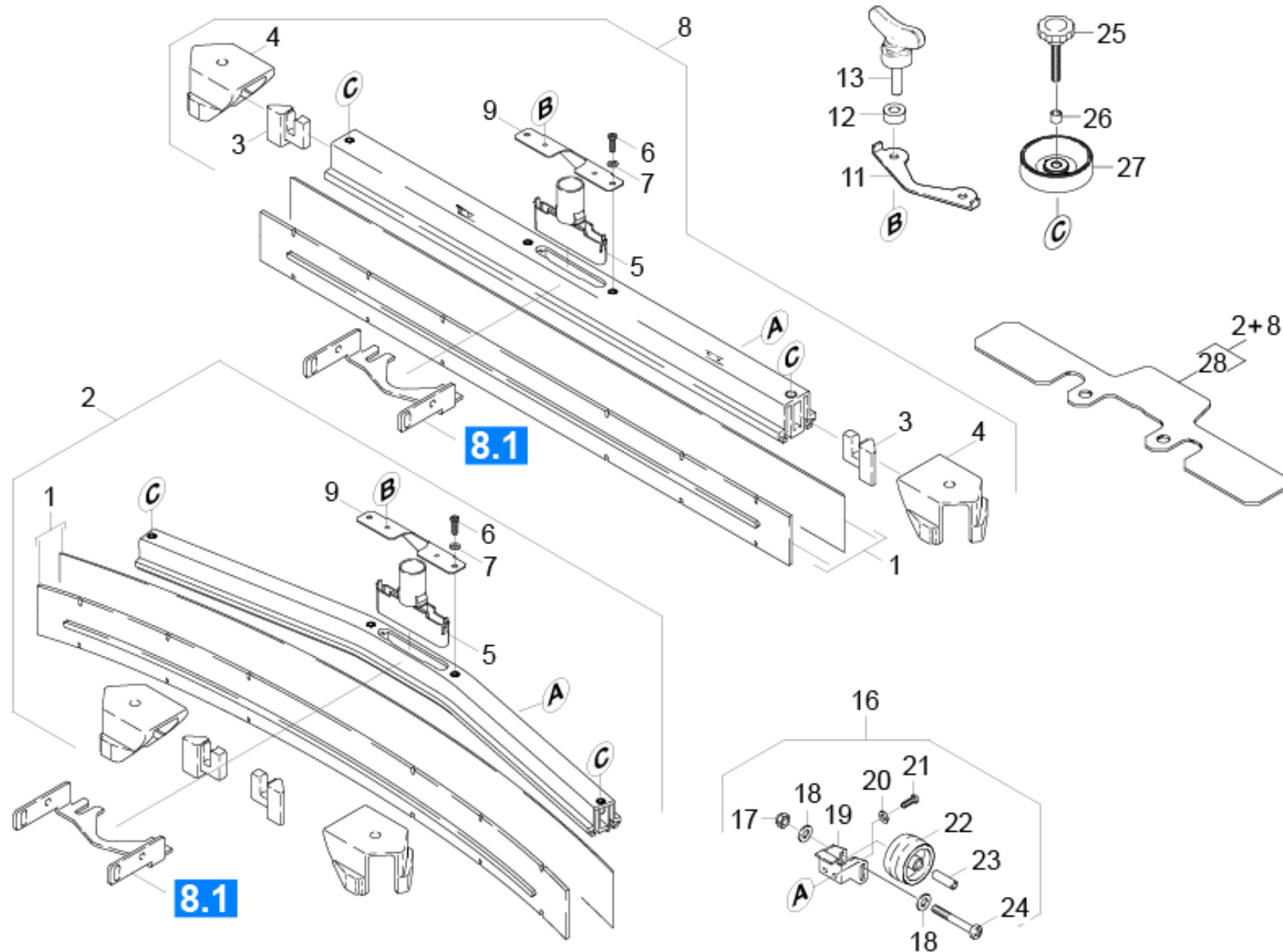


82 Suction bar

Professional \ Floor cleaner \ Walk behind \ B 60 W Bp CLASSIC *EU \ Documentation B 60 W \ Spare parts list B 60 W \ Suction bar \ Suction bar



82 Suction bar

Professional \ Floor cleaner \ Walk behind \ B 60 W Bp CLASSIC *EU \ Documentation B 60 W \ Spare parts list B 60 W \ Suction bar \ Suction bar



POS	Article no.	Description	Quantity	Unit	Remark	Foot note text
16	2.639-561.0	Add-on kit support wheels suction bar	1.000	ST		
28	5.128-339.0	Additional weight suction bar	1.000	ST		
23	5.105-245.0	Axle	1.000	ST		
6	7.306-142.0	Cylinder head screw M 8x25-A4-70 ISO 47	2.000	ST		
27	5.515-267.0	Deflector roll	2.000	ST		
4	2.885-294.0	End piece left / right spare parts set	1.000	ST		
3	2.885-326.0	End piece left / right spare parts set	1.000	ST		
24	7.304-550.0	Hexagonal head screw M 6x45-A4-70 ISO 4	2.000	ST		
17	7.311-422.0	Hexagon nut M 6-1.4305 ISO 10511	1.000	ST		
19	5.044-304.0	Holder roller	2.000	ST		
11	5.007-217.0	Plate	1.000	ST		
1	6.273-205.0	Rubber lip set anti stripe oil resistant	1.000	ZSA		ANTI-STRIP, OIL RESISTANT
1	6.273-208.0	Rubber lip set oil resistant	1.000	ZSA		OIL RESISTANT
1	6.273-214.0	Rubber lip set standard	1.000	ZSA		STANDARD
21	7.303-037.0	Screw M5x10 -St-P2R (In6Rd)	2.000	ST		
26	5.094-231.0	Sleeve suction bar in VA	2.000	ST		STAINLESS STEEL CONSTRUCTION
12	5.112-810.0	Sleeve VA	2.000	ST	(VA)	
25	6.321-239.0	Star grip VA Ø50x43	2.000	ST		STAINLESS STEEL CONSTRUCTION
8	4.777-302.0	Suction bar 940AB	1.000	ST		
2	4.777-312.0	Suction bar curved 940AB	1.000	ST		
9	5.100-559.0	Suction bar support plate	1.000	ST		
5	5.033-601.0	Suction nipple	1.000	ST		GREY
20	7.312-052.0	Washer 5 -A2 ISO 7089	2.000	ST		
18	7.312-026.0	Washer 6 -A2 ISO 7089	2.000	ST		
7	7.312-017.0	Washer 8-A2 ISO 7089	2.000	ST		
22	6.435-401.0	Wheel D54	2.000	ST		
13	5.305-008.0	Wing screw M8x30 VA	2.000	ST	(VA)	