

## **Spare parts list**

(1.008-057.0) BRC 30/15 C

## Table of contents

---

BRC 30/15 C (1.008-057.0)	3
Spare parts list BRC 30/15C - Mini Pro (5.970-747.0)	4
10 Individual parts	5
11 Handhold	6
12 Frame	8
20 Tank	10
30 Control console	12
40 Turbine	14
50 Chemistry pump	16
60 Power brush	18
70 Electronics	20
71 Electronics control console	21
72 Electronics motor	23

BRC 30/15 C (1.008-057.0)

---

POS	Article no.	Description	Quantity	Unit
0	5.970-747.0	Spare parts list BRC 30/15C - Mini Pro	1	PC

Spare parts list BRC 30/15C - Mini Pro (5.970-747.0)

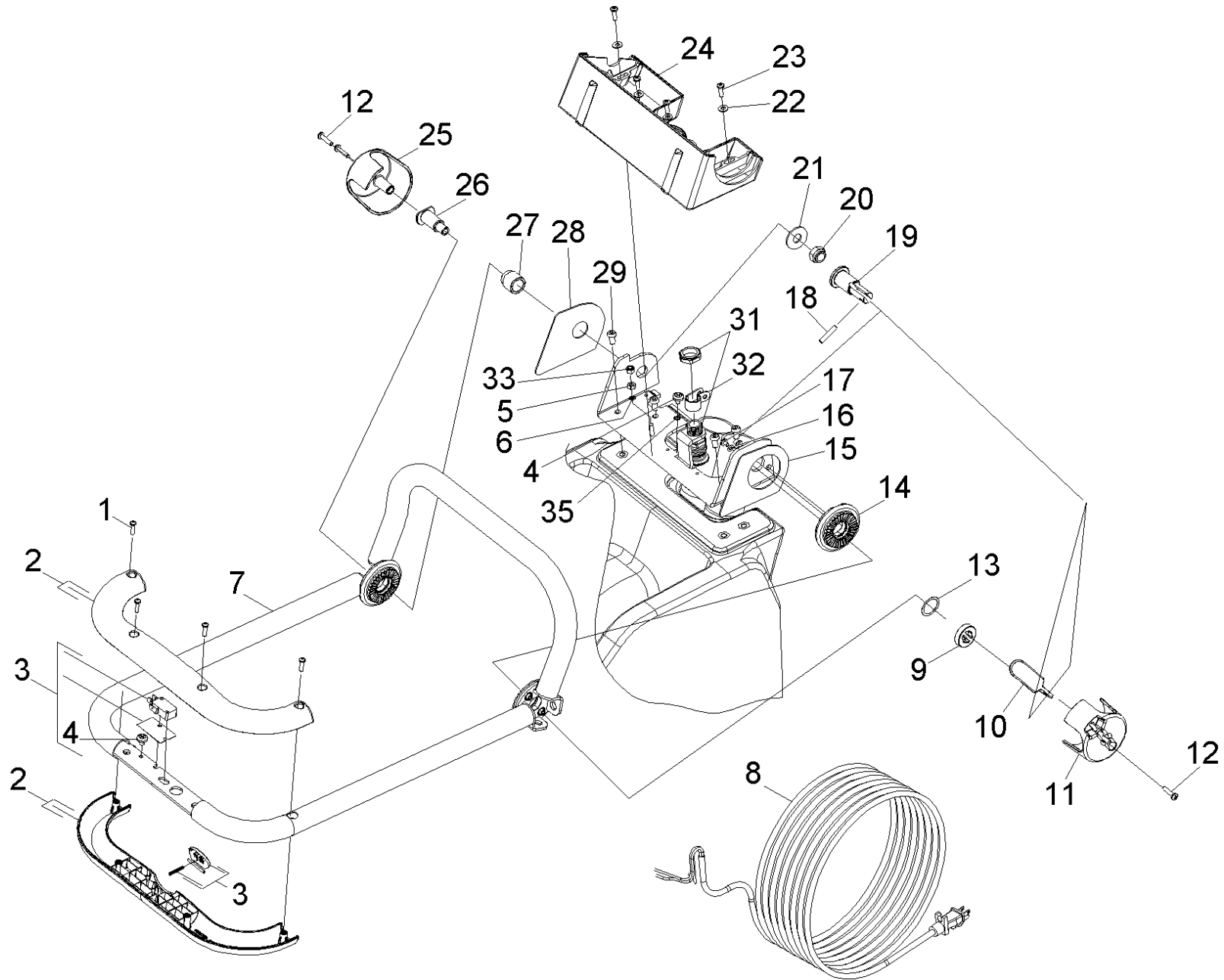
---

<b>POS</b>	<b>Description</b>	<b>Quantity</b>	<b>Unit</b>
10	Individual parts	1	PC
20	Tank	1	PC
30	Control console	1	PC
40	Turbine	1	PC
50	Chemistry pump	1	PC
60	Power brush	1	PC
70	Electronics	1	PC

## 10 Individual parts

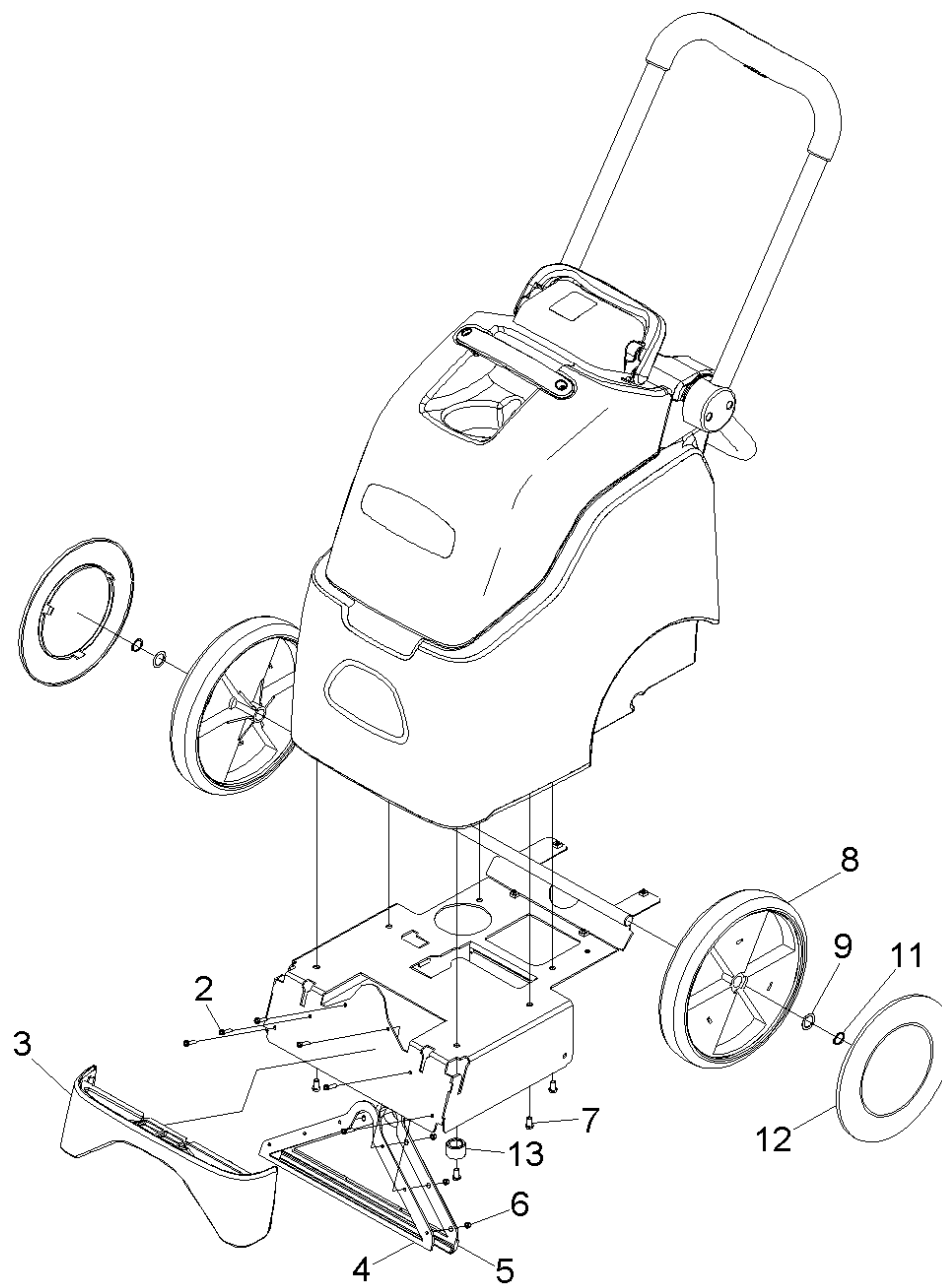
---

<b>POS</b>	<b>Description</b>	<b>Quantity</b>	<b>Unit</b>
11	Handhold	1	PC
12	Frame	1	PC



## 11 Handhold

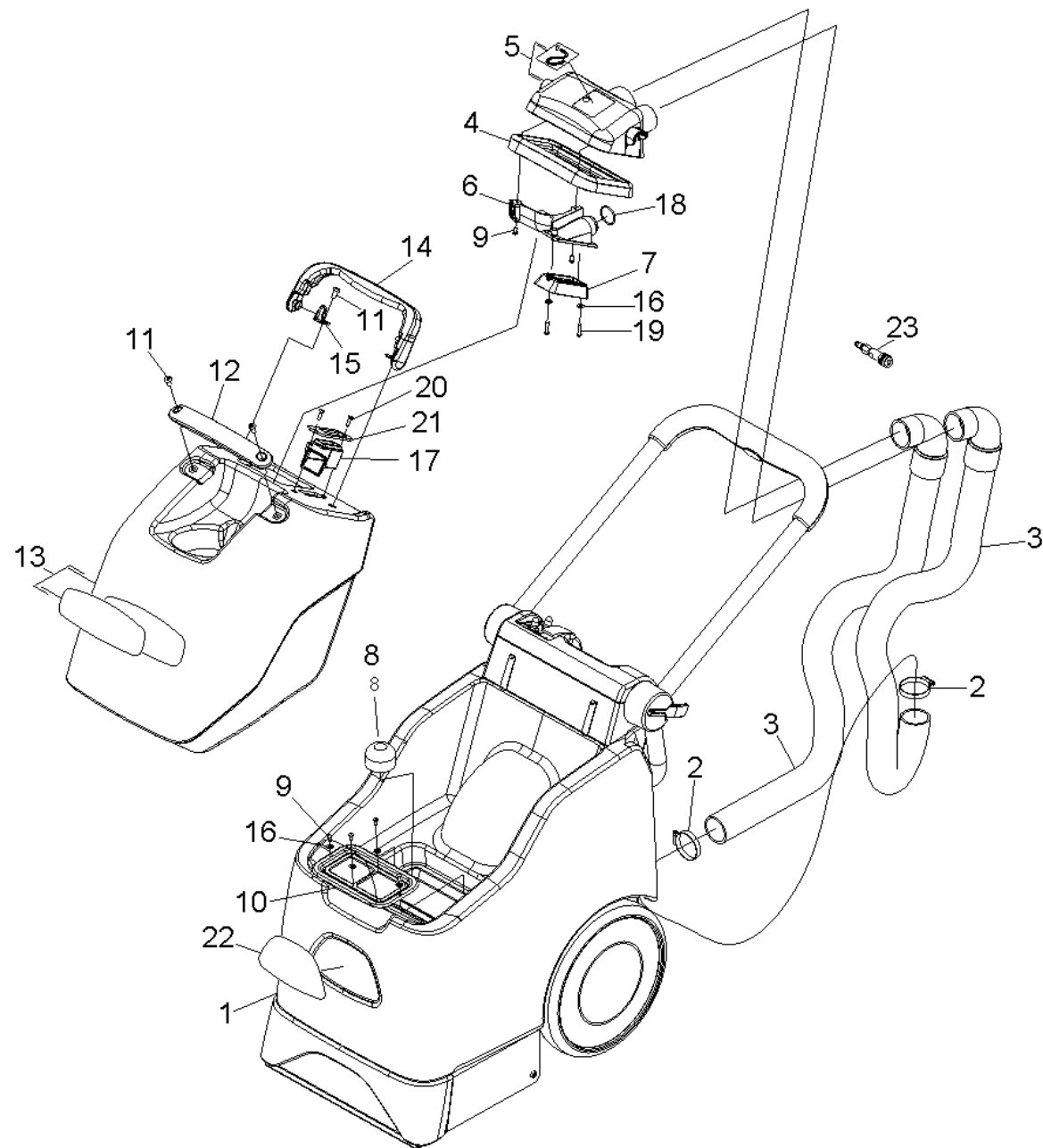
POS	Article no.	Description	Quantity	Unit
26	8.622-414.0	Shaft handhold	1	PC
15	8.621-822.0	Seal switch box left	1	PC
25	8.621-738.0	Covering cap pipe right	1	PC
24	8.621-735.0	Covering cap control panel	1	PC
28	8.621-823.0	Seal switch box right	1	PC
31	8.622-493.0	STRAIN RELIEF, 14/3 STRAIGHT	1	PC
21	8.625-943.0	WASHER, M12 FLT	1	PC
20	8.622-234.0	NUT, M12 LK SS ISO7040	1	PC
19	8.629-256.0	SHAFT, HANDLE LOCK	1	PC
18	8.629-663.0	PIN, DOWEL M5 X 25 STL ZNPLT	1	PC
2	8.630-857.0	KIT, HANDLE GRIP	1	PC
32	8.623-317.0	Clamp 3/8 NYLON UL/CSA	1	PC
14	8.621-946.0	Hub handhold	1	PC
27	8.622-446.0	Distance bush handhold	1	PC
13	8.629-662.0	WASHER, .M19.8 X 25 X .2 STL ZNPLT	1	PC
33	8.600-564.0	NUT, 10-32 HEX NYLOCK STL GR2 ZNPLT	1	PC
11	8.634-714.0	Covering cap pipe	1	PC
10	8.629-661.0	LEVER, CAM HANDLE	1	PC
9	8.629-255.0	BUSHING, HANDLE LOCK	1	PC
8	8.628-885.0	CORD ASM, AB EURO	1	PC
7	8.629-879.0	WELMENT, HANDLE TUBE	1	PC
5	8.627-080.0	NUT, 10-32 HEX SS	1	PC
3	8.630-862.0	Set micro switch	1	PC
6	8.601-064.0	Washer #10 LOCK EXT STAR SS	2	PC
4	8.600-677.0	SCREW, 10-32 X .25 PHPNHTF STL ZNPLT	2	PC
35	8.601-064.0	Washer #10 LOCK EXT STAR SS	2	PC
17	8.617-303.0	SCREW, M4 X 6 PNHMS ISO7045 ZNPLT	3	PC
16	8.617-332.0	WASHER, M4 FLT SS DIN125	3	PC
12	8.627-760.0	SCREW, M4 X 20 PHMS SS ISO7045	3	PC
23	8.617-287.0	SCREW, M4 X 14 PHMS SS ISO7045	4	PC
29	8.617-322.0	SCREW, M6-1 X 12 FLGBTNHMS SS	4	PC
22	8.628-868.0	WASHER, M5 RIVET BACKUP	4	PC
1	8.617-314.0	SCREW, KA40 X 10 OVHCS STL WIN1412 ZNPLT	4	PC





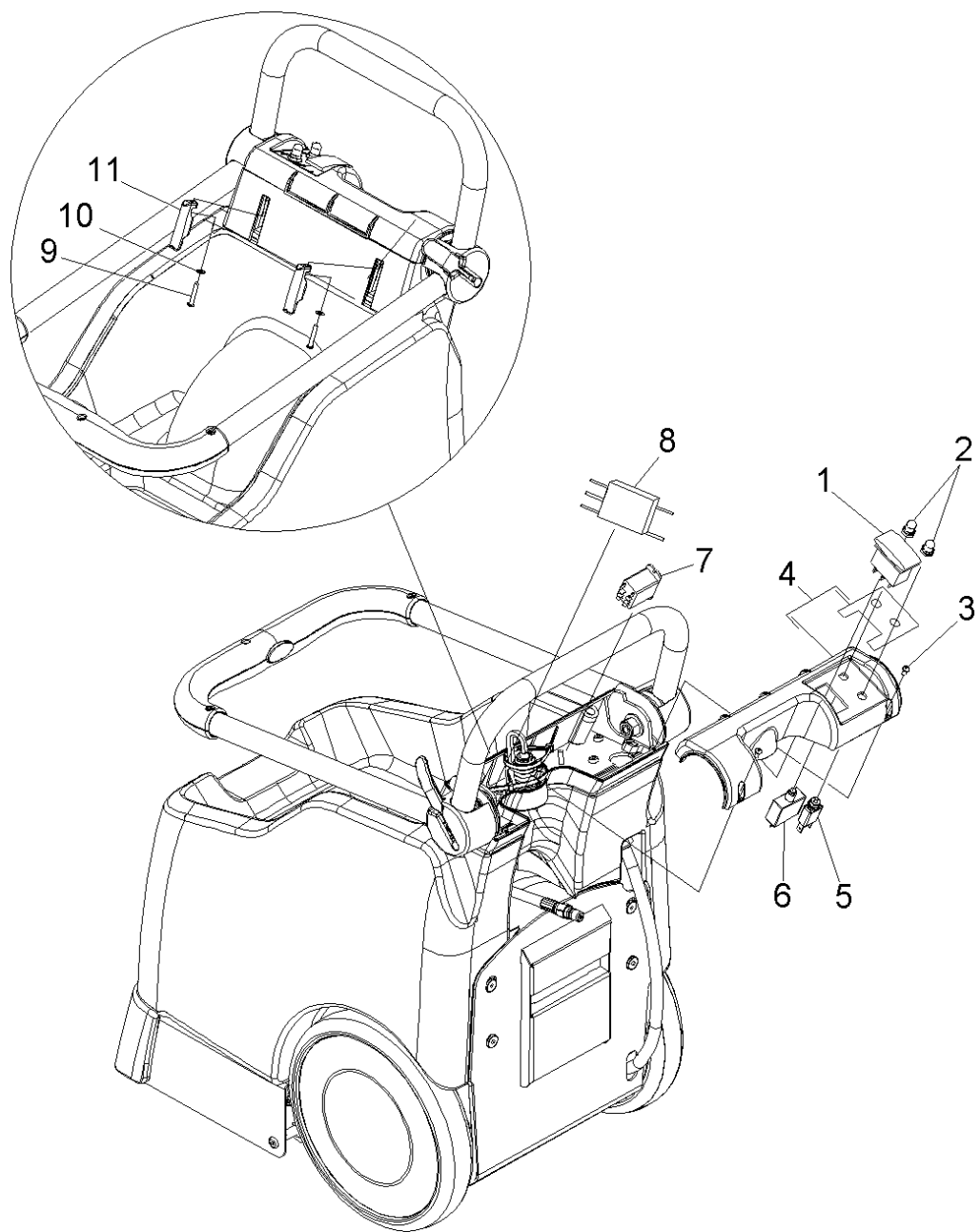
## 12 Frame

POS	Article no.	Description	Quantity	Unit
3	8.621-629.0	Bumper extraction system front	1	PC
4	8.621-809.0	GASKET, VAC SHOE MINIPRO	1	PC
5	8.622-553.0	VAC SHOE, 12"	1	PC
10	8.621-498.0	AXLE, 5/8 WHEEL MINI PRO	1	PC
13	8.629-113.0	BUMPER, BRUSH DECK	1	PC
8	8.622-605.0	WHEEL, 9.75" X 1.5"	2	PC
9	8.601-188.0	WASHER, 16.2 X 23 X .6 STL ZNPLT	2	PC
11	8.627-275.0	RING, 5/8 EXTERNAL SNAP	2	PC
12	8.630-007.0	HUBCAP, 9.75" WHEEL, BLACK	2	PC
2	8.617-301.0	SCREW, M4 X 16 SCHCS SS ISO4762	6	PC
6	8.617-263.0	NUT, M4X.7 LK ISO7040 SS	6	PC
7	8.617-322.0	SCREW, M6-1 X 12 FLGBTNHMS SS	6	PC



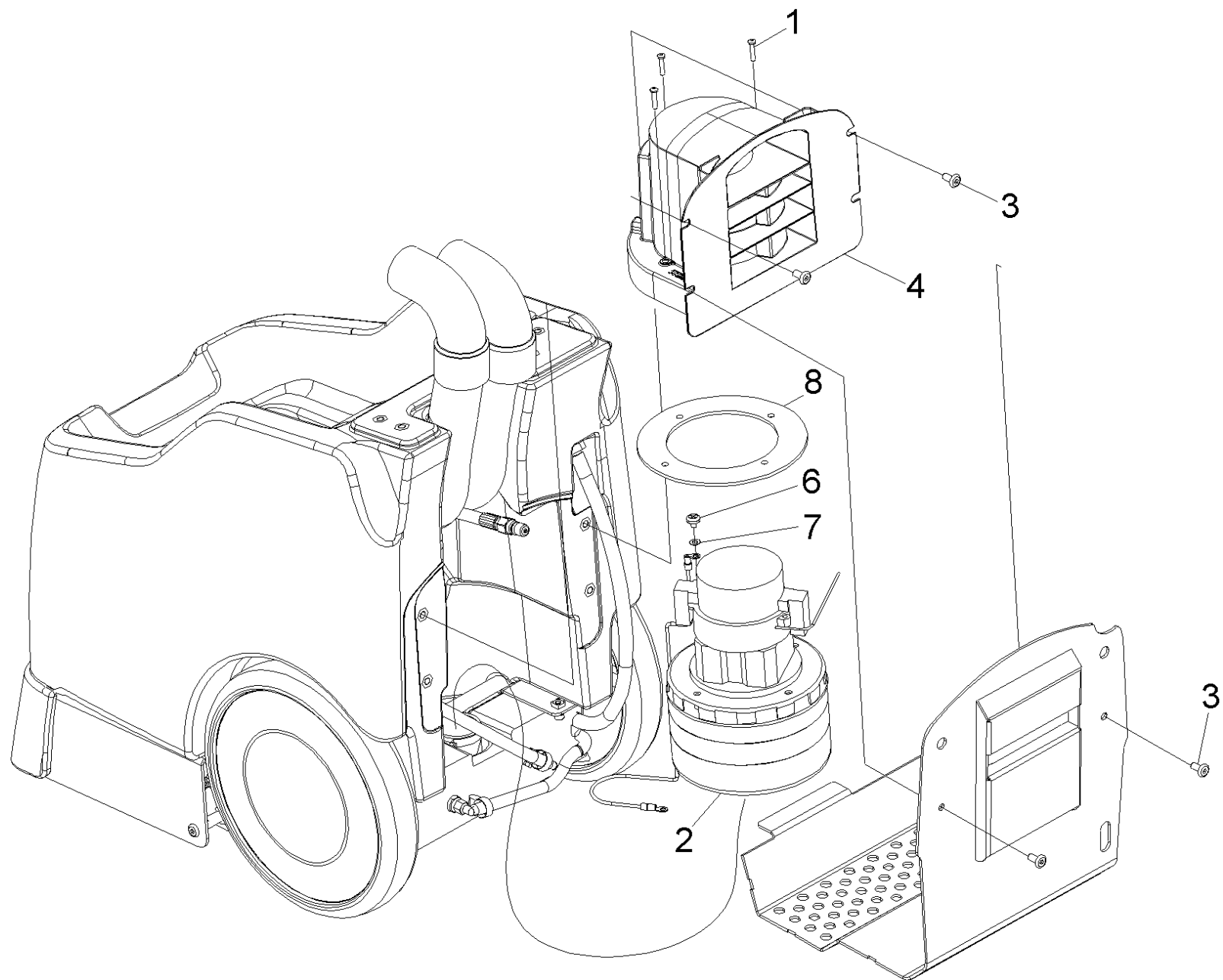
## 20 Tank

POS	Article no.	Description	Quantity	Unit
1	8.629-797.0	TANK, SOLUTION MPRO YEL	1	PC
	<b>Item text1:</b> 1.008-037.0			
10	8.622-496.0	Strainer	1	PC
22	8.633-516.0	LABEL, KARCHER FRONT	1	PC
21	8.629-245.0	GASKET, DUCT	1	PC
18	8.629-121.0	O-RING, 26MM ID X 2MM THICK	1	PC
17	8.629-118.0	DUCT, VACUUM INTAKE	1	PC
14	8.621-677.0	CLAMP, DOME	1	PC
13	8.630-860.0	ASM, BRC 30/15 RECOVERY TANK	1	PC
1	8.634-711.0	TANK, SOL, GRY BRC 30/15 C	1	PC
	<b>Item text1:</b> 1.008-057.0			
12	8.621-853.0	HANDLE, RECOVERY TANK	1	PC
8	8.600-797.0	Strainer 3/8 IN. NPT 60 MESH	1	PC
7	8.629-119.0	SCREEN, VACUUM INTAKE	1	PC
6	8.629-117.0	DOME, PLATE INTERIOR	1	PC
5	8.630-859.0	ASM, BRC 30/15 DOME	1	PC
4	8.629-123.0	GASKET, DOME, MINI PRO	1	PC
23	8.631-030.0	ASSY, ADPT, 1/8MX1/4FPT NIPPLE	1	PC
15	8.621-597.0	Fixing bracket	2	PC
19	8.617-300.0	SCREW, KA40 X 20 OVHCS WN1413 SS	2	PC
20	8.629-122.0	SCREW, KA40 X 16 FLT SS WN1413	2	PC
3	8.601-191.0	HOSE ASM, 1.5X34" VAC W/ELBOW	2	PC
2	8.600-240.0	Clamp 2.0" WORM GEAR X .312W	2	PC
9	8.617-294.0	SCREW, KA40 X 10 PHOVHCS	4	PC
11	8.617-299.0	SCREW, M6 X 12 BTNHCS SS ISO7380	4	PC
16	8.617-335.0	WASHER, M5 FLT SS ISO7089	4	PC



### 30 Control console

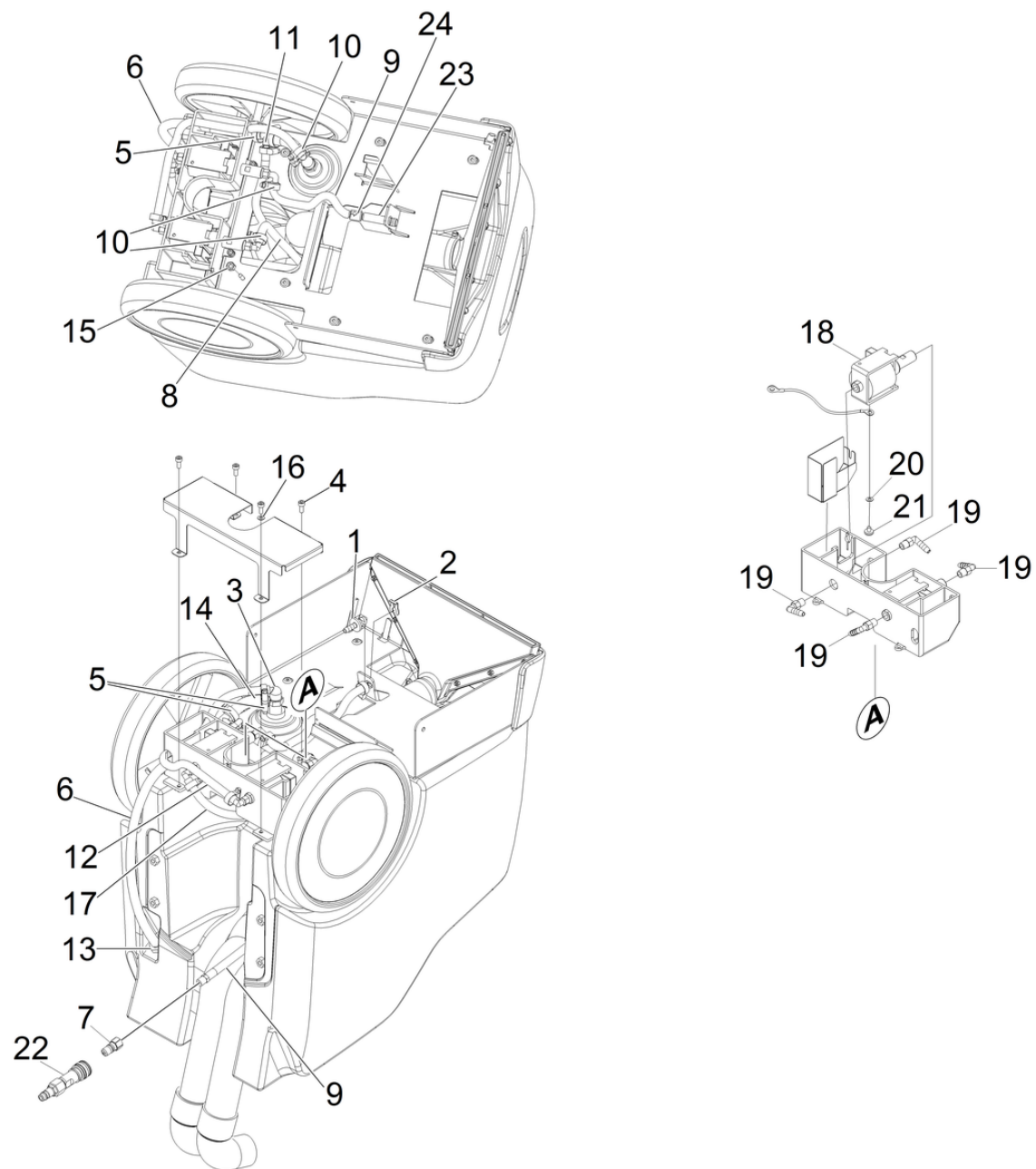
POS	Article no.	Description	Quantity	Unit
1	8.600-720.0	Switch DPDT3-POSITION ROCKER	1	PC
4	8.635-063.0	ASM, CTRL PNL, BRC 30/15 C	1	PC
5	8.600-178.0	BREAKER, 0.8A CIRCUIT	1	PC
6	8.621-572.0	BREAKER, 6A VDE CIRCUIT	1	PC
7	8.622-342.0	RELAY, 10A 230VAC MINI SPDT	1	PC
8	8.630-268.0	ASM, FILTER EMI MAIN	1	PC
2	8.600-201.0	BOOT, 3/8 CIRCUIT BREAKER	2	PC
3	8.617-314.0	SCREW, KA40 X 10 OVHCS STL WIN1412 ZNPLT	2	PC
9	8.629-230.0	SCREW, M4-.7 X 20 SLTDBTNHCS BLKOX	2	PC
10	8.617-335.0	WASHER, M5 FLT SS ISO7089	2	PC
11	8.621-630.0	Bumper	2	PC



## 40 Turbine

---

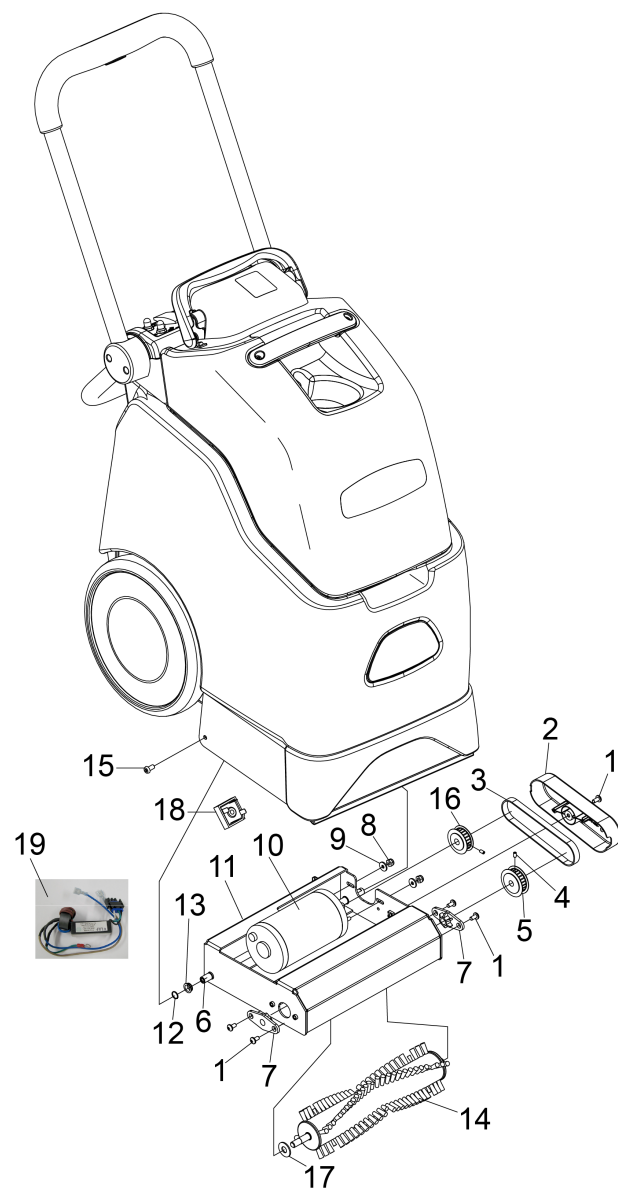
POS	Article no.	Description	Quantity	Unit
2	8.630-898.0	Vac Motor Asm, Minipro 230v	1	PC
4	8.621-742.0	COVER, VAC MOTOR	1	PC
6	8.600-677.0	SCREW, 10-32 X .25 PHPNHTF STL ZNPLT	1	PC
7	8.601-064.0	Washer #10 LOCK EXT STAR SS	1	PC
8	8.629-168.0	GASKET, VAC MOTOR	1	PC
1	8.617-300.0	SCREW, KA40 X 20 OVHCS WN1413 SS	3	PC
3	8.617-322.0	SCREW, M6-1 X 12 FLGBTNHMS SS	4	PC





## 50 Chemistry pump

POS	Article no.	Description	Quantity	Unit	Remark
1	8.621-958.0	JET, RT ANG, 1/4 BARB	1	PC	
2	8.621-681.0	Clamp shaft 9-12MM	1	PC	
23	8.637-774.0	HOSE, 6MM X 40MM NYLOBRAID	1	PC	
22	8.631-030.0	ASSY, ADPT, 1/8MX1/4FPT NIPPLE	1	PC	
18	8.620-112.0	Pump 220/240V 50HZ FLOJET	1	PC	220V/240V - 50Hz
18	8.620-111.0	PUMP, 110/120 60HZ FLOJET	1	PC	110V/120V - 60Hz
17	8.621-906.0	Hose 6MM X 318MM	1	PC	
16	8.601-064.0	Washer #10 LOCK EXT STAR SS	1	PC	
15	8.600-564.0	NUT, 10-32 HEX NYLOCK STL GR2 ZNPLT	1	PC	
14	8.601-268.0	Hose 3/8id X 60mm Nylobraid	1	PC	
13	8.624-043.0	HOSEBARB, 3/8 MPT X 3/8 NYLON	1	PC	
12	8.621-905.0	Hose 6MM X 390MM NYLOBRAID	1	PC	
11	8.628-933.0	HOSEBARB, TEE 3/8X3/8X1/4	1	PC	
9	8.637-773.0	HOSE, 6MM X 190MM NYLOBRAID	1	PC	
8	8.621-907.0	Hose 6MM X 610MM	1	PC	
7	8.620-082.0	Nipple 1/8	1	PC	
6	8.621-909.0	HOSE, 3/8"ID X 432MM CLEAR	1	PC	
3	8.621-920.0	HOSEBARB, 3/8MPT,2X 1/4,1X 3/8	1	PC	
24	8.634-941.0	CHECK VALVE, MINI	1	PC	
20	8.601-064.0	Washer #10 LOCK EXT STAR SS	2	PC	
21	8.600-677.0	SCREW, 10-32 X .25 PHPNHTF STL ZNPLT	2	PC	
5	8.623-315.0	CLAMP, 3/8 HOSE (D-SLOT)	3	PC	
19	8.624-052.0	HOSEBARB, 1/8MPT X 1/4 90D	4	PC	
4	8.617-295.0	SCREW, M5-.8 X 12 SHCS SS DIN912	4	PC	
10	8.623-309.0	CLAMP, 1/4 ID HOSE	6	PC	



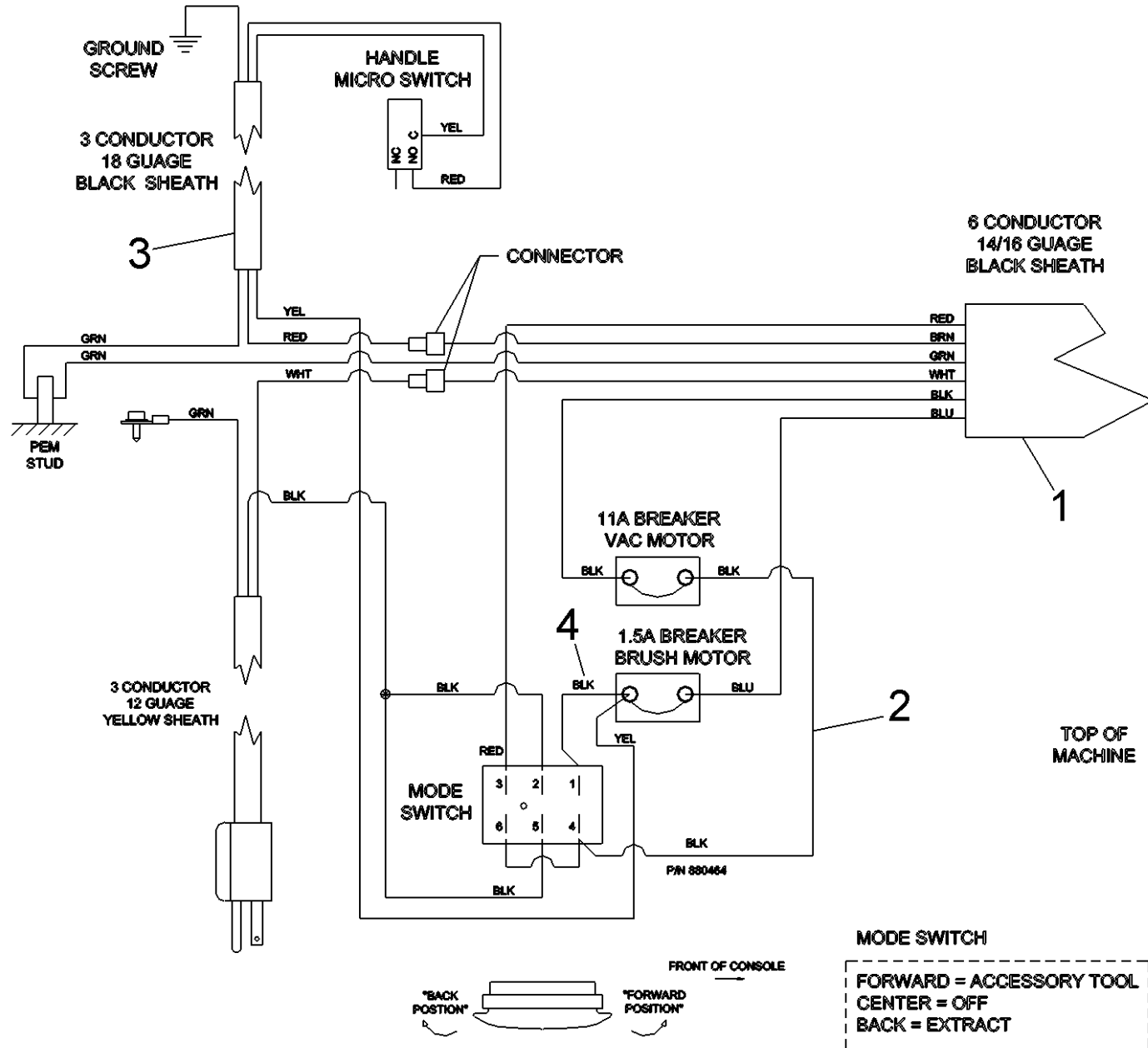
## 60 Power brush

POS	Article no.	Description	Quantity	Unit
19	8.630-896.0	ASM, FILTER EMI BRUSH	1	PC
2	8.621-739.0	Covering cap belt	1	PC
18	8.622-346.0	Rectifier brigde 50A 1000V	1	PC
17	8.601-068.0	WASHER, 3/8 NYL	1	PC
16	8.622-335.0	Belt pulley motor	1	PC
14	8.621-604.0	BRUSH, CHEVRON, 10 IN	1	PC
11	8.621-792.0	FRAME, BRUSH DRIVE MINIPRO	1	PC
10	8.630-672.0	MOTOR ASM, 230V DC PM	1	PC
6	8.621-497.0	Axle brushes covering cap	1	PC
5	8.622-330.0	Belt pulley brush	1	PC
3	8.621-526.0	BELT, HTD 5MM 69T 9 WIDE	1	PC
9	8.617-333.0	WASHER, M5 SS ISO7093	2	PC
8	8.600-564.0	NUT, 10-32 HEX NYLOCK STL GR2 ZNPLT	2	PC
7	8.622-902.0	BEARING, BRUSH	2	PC
12	8.622-349.0	RING, 10MM EXT SNAP, DIN 471	2	PC
13	8.621-643.0	BUSHING, BRUSH PRESSURE	2	PC
15	8.617-322.0	SCREW, M6-1 X 12 FLGBTNHMS SS	2	PC
4	8.622-378.0	Threaded pin M4X8	2	PC
1	8.617-302.0	SCREW, M5 X 10 PNHMS SS ISO7045	5	PC

## 70 Electronics

---

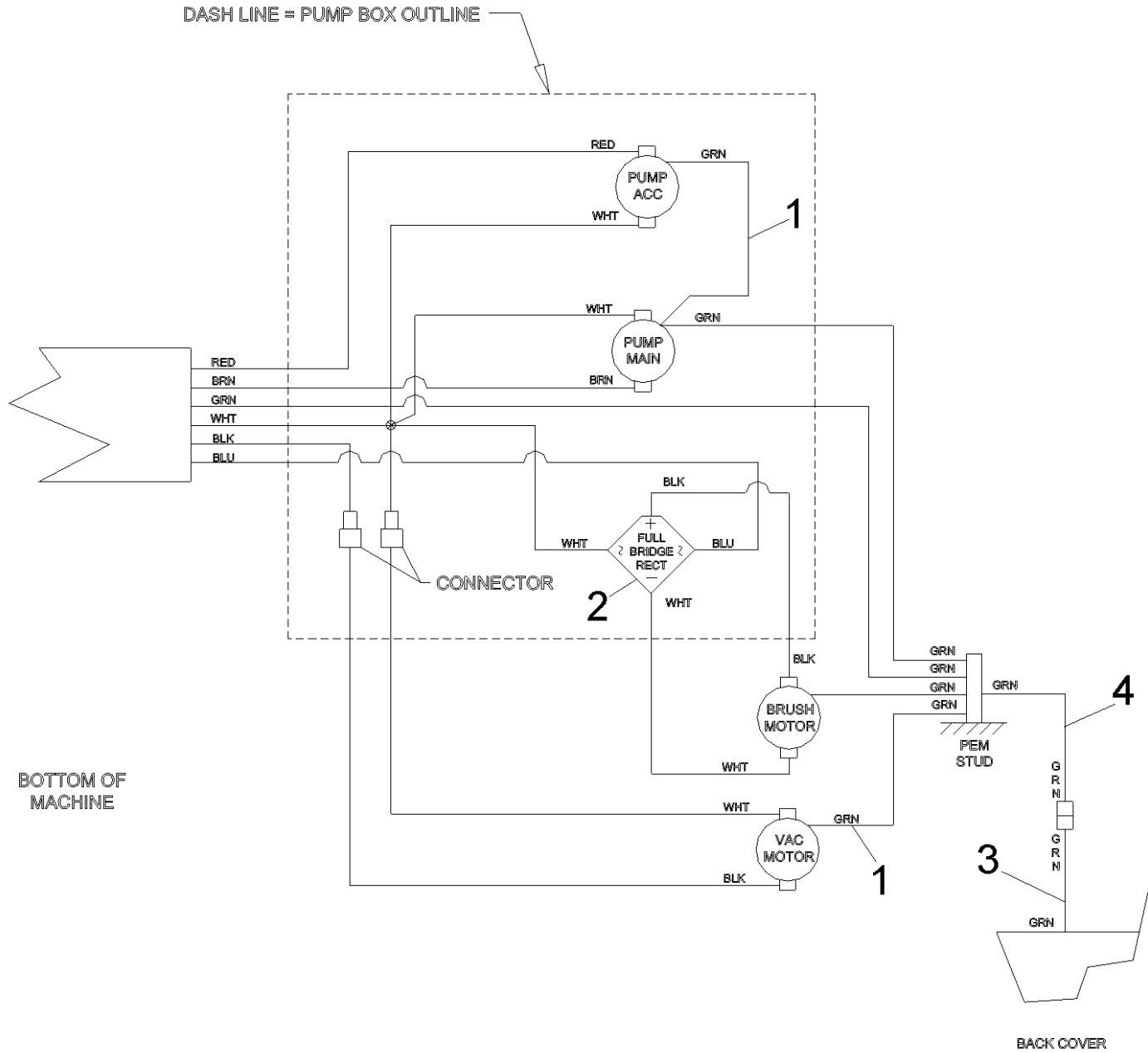
<b>POS</b>	<b>Description</b>	<b>Quantity</b>	<b>Unit</b>
71	Electronics control console	1	PC
72	Electronics motor	1	PC



## 71 Electronics control console

---

POS	Article no.	Description	Quantity	Unit
1	8.621-884.0	HARNESS, MAIN MPRO	1	PC
2	8.622-623.0	WIRE ASM, CNTRL PANEL JUMPER	1	PC
3	8.621-883.0	HARNESS, HANDLE MPRO	1	PC
4	8.622-625.0	WIRE, 14" BLACK/14 76010	1	PC



## 72 Electronics motor

---

POS	Article no.	Description	Quantity	Unit
3	8.630-367.0	WIRE ASM, 18GA GRN 76008/76040	1	PC
2	8.622-346.0	Rectifier brigde 50A 1000V	1	PC
4	8.630-368.0	WIRE ASM, 18GA GRN 76008/76042	1	PC
1	8.622-625.0	WIRE, 14" BLACK/14 76010	3	PC