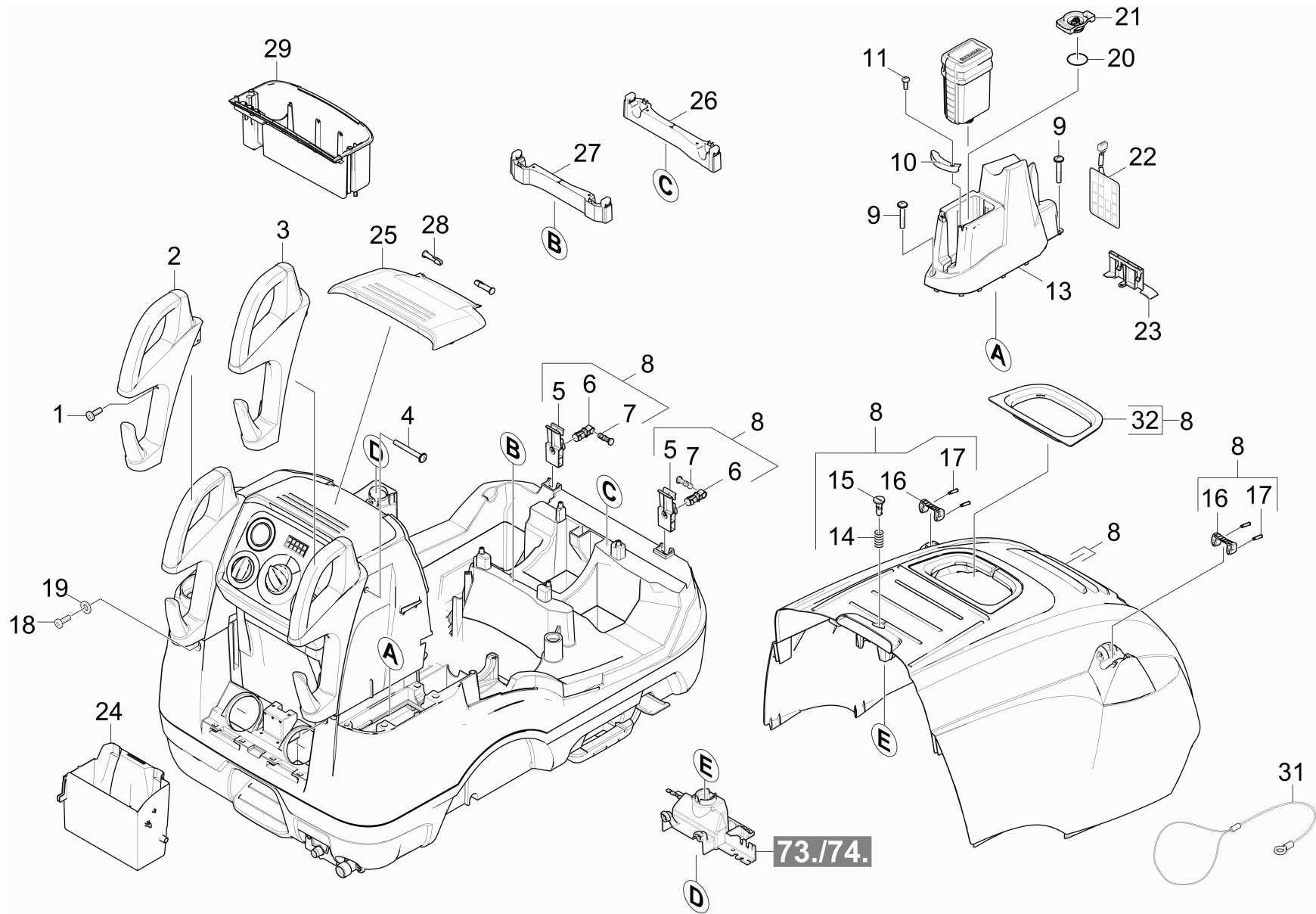


# 11 Housing top part

Overview technical documents/Professional/High pressure cleaner hotwater/Electric motor/HDS 7/12-4 M \*EU-I (1.077-410.0)/Spare parts list HDS 7/12-4M \*EU/10 Housing/11 Housing top part



## 11 Housing top part

Overview technical documents/Professional/High pressure cleaner hotwater/Electric motor/HDS 7/12-4 M \*EU-I (1.077-410.0)/Spare parts list HDS 7/12-4M \*EU/10 Housing/11 Housing top part

Rez.daļas/nodil.pakļ.daļas	Poz.	Materiāla Nr.	Nosaukums	Daudzums	Pārdoš. vienība
X	1	7.303-069.0	sheet metal screw	2.000	ST
X-X	2	5.321-830.0	Sliding handle left	1.000	ST
X-X	3	5.321-831.0	Bīdāmais rokturis, labās puses	1.000	ST
X-X	4	7.303-209.0	Screw 6x50 -10.9-R2R (K-In6Rd)	2.000	ST
X	5	5.501-083.0	Hinge cover black	2.000	ST
	6	5.317-779.0	Bolt hinge black	2.000	ST
X-X	7	5.317-291.0	Skrūve	2.000	ST
X-X	8	4.066-426.0	Device cover	1.000	ST
X-X	9	7.303-086.0	Skrūve 5x30 -10.9-R2R (K-In6Rd)	2.000	ST
X-X	10	5.033-381.0	Profile	1.000	ST
	11	7.303-106.0	Skrūve 4x12 -10.9-R2R (IN6RD)	1.000	ST
X-X	13	5.033-344.0	Covering cap DGT	1.000	ST
X	14	5.332-236.0	Spirālveida atspere	1.000	ST
X-X	15	5.317-765.0	Bolt closure cover	1.000	ST
X-X	16	5.424-162.0	Fixing jet pipe	2.000	ST
X-X	17	5.314-143.0	Pin fixing jet pipe	4.000	ST
	18	6.303-497.0	Screw M8x35-8.8-A2E (IN6RD)	2.000	ST
	19	7.312-277.0	Washer 8-200HV-A2E ISO7093-1	2.000	ST
X-X	20	6.362-377.0	Gredzenblīve 38,0 X 2,0-NBR 70	1.000	ST
X-X	21	5.425-495.0	Īscaurule DGT	1.000	ST
X-X	22	2.885-055.0	Circuit board	1.000	ST
X-X	23	5.044-889.0	Holder circuit board	1.000	ST
	24	5.033-155.0	Flap	1.000	ST
X	25	5.033-113.0	Flap	1.000	ST
	26	5.190-254.0	Strip cover	1.000	ST

## 11 Housing top part

Overview technical documents/Professional/High pressure cleaner hotwater/Electric motor/HDS 7/12-4 M \*EU-I (1.077-410.0)/Spare parts list HDS 7/12-4M \*EU/10 Housing/11 Housing top part

Rez.daļas/nodil.pakļ.daļas	Poz.	Materiāla Nr.	Nosaukums	Daudzums	Pārdoš. vienība
	27	5.190-253.0	Strip boiler	1.000	ST
X-X	28	5.317-220.0	Bolt	2.000	ST
	29	5.033-112.0	Storage compartment	1.000	ST
X-X	31	6.431-274.0	Tackle cover	1.000	ST
	32	5.061-455.0	Sheet metal component	1.000	ST