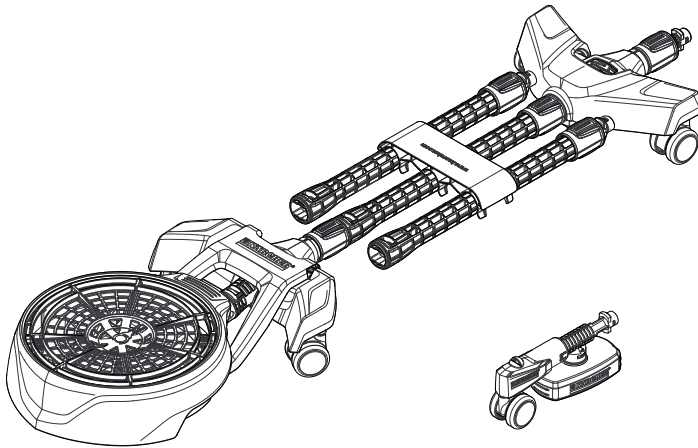


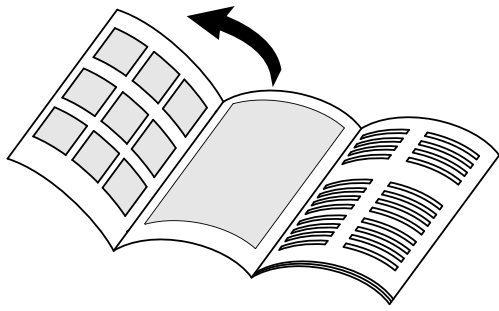
## Operating Instructions

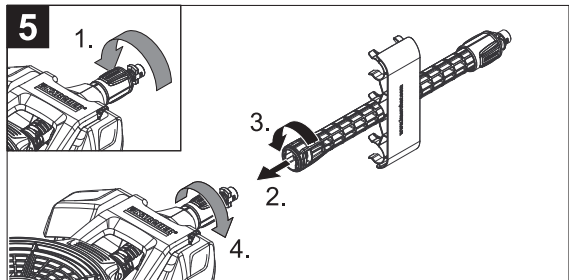
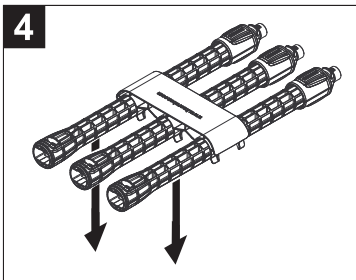
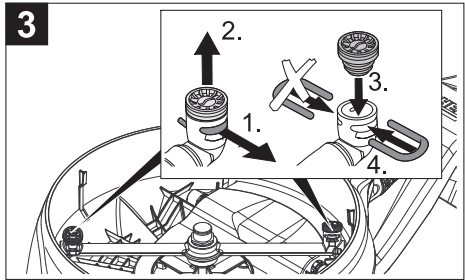
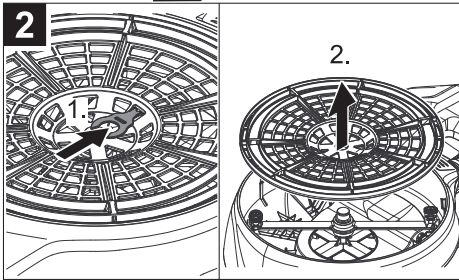
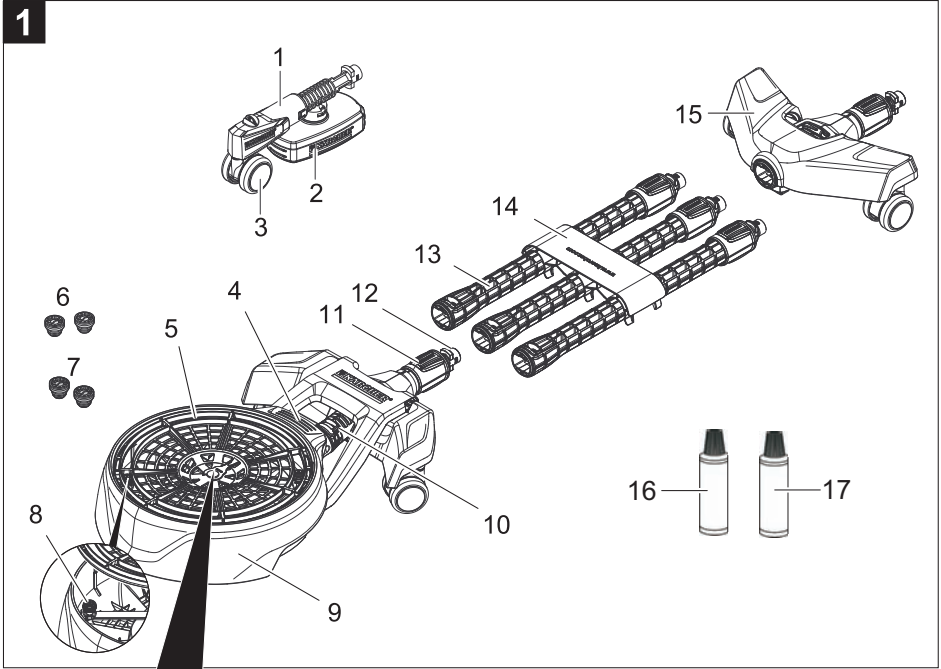
Before first use of the unit read these operating instructions and act in accordance with them

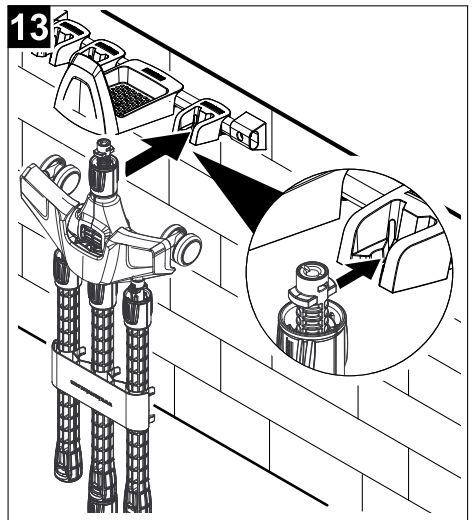
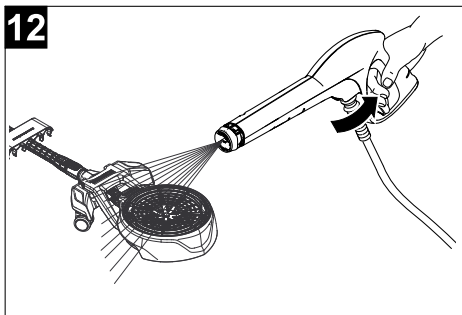
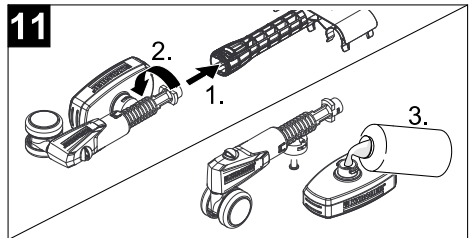
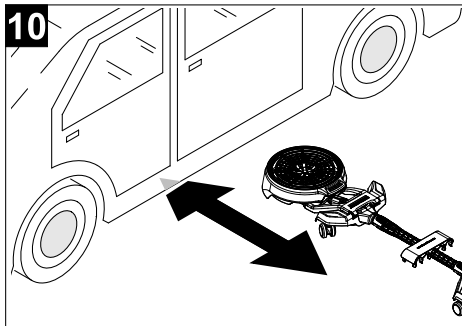
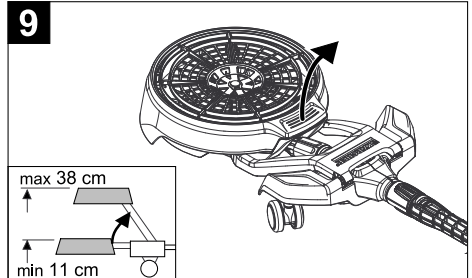
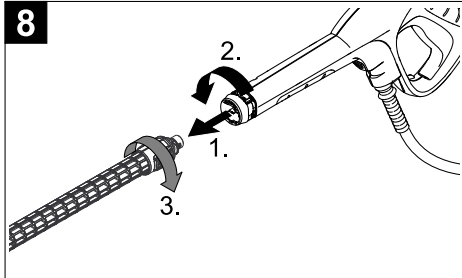
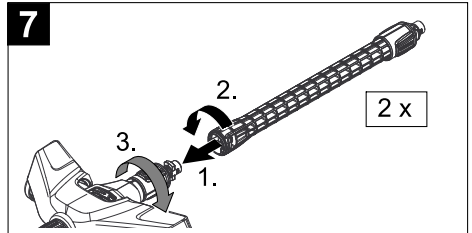
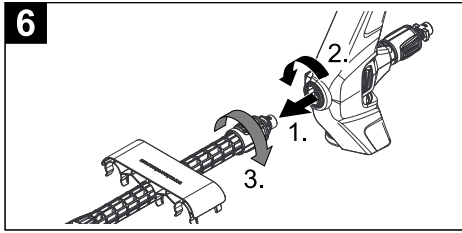


Register and win!  
[www.karcher.com](http://www.karcher.com)











## Contents

General information . . . . .	5
Safety instructions . . . . .	5
Description of the Appliance . . . . .	6
Preparing the Appliance . . . . .	6
Start up . . . . .	6
Operation . . . . .	7
Finish operation . . . . .	7
Helpline . . . . .	8

  Please read and comply with these original instructions prior to the initial operation of your appliance and store them for later use or subsequent owners.

### Proper use

The underbody cleaner can be used with all KÄRCHER consumer high pressure cleaners.

It is not suitable for commercial use.

- The underbody cleaner is suitable for cleaning underbodies of regular cars/ SUVs, caravan and campers.


Due to the minimum construction height of approx. 11 cm, the cleaning of lower-lying cars is only conditionally possible.


## General information

### Environmental protection

#### **Caution!**

When working with the underbody cleaner, make sure that the wastewater generated is disposed of into the public sewer system and then on to a wastewater treatment plant.

 The packaging material can be recycled. Please do not place the packaging into the ordinary refuse for disposal, but arrange for the proper recycling.

 Old appliances contain valuable materials that can be recycled. Please arrange for the proper recycling of old appliances. Please dispose your old appliances using appropriate collection systems.

## Notes about the ingredients (REACH)

You will find current information about the ingredients at:

[www.kaercher.com/REACH](http://www.kaercher.com/REACH)

### Warranty

The warranty terms published by the relevant sales company are applicable in each country. We will repair potential failures of your appliance within the warranty period free of charge, provided that such failure is caused by faulty material or defects in manufacturing. In the event of a warranty claim please contact your dealer or the nearest authorized Customer Service centre. Please submit the proof of purchase.

### Spare parts

Use only original KÄRCHER spare parts. You will find a list of spare parts at the end of these operating instructions.

## Safety instructions

- *This appliance is not intended for use by persons with reduced physical, sensory or mental capabilities.*  
*The appliance must not be operated by children or persons who have not been instructed accordingly.*  
*Children should be supervised to prevent them from playing with the appliance.*
- *Keep persons and objects out of the cleaning area while cleaning.*
- *Please observe the national and local regulations for car cleaning.*
- *Do not use directly after use of vehicle - allow engine to cool first.*
- *Please observe the safety instructions of your high-pressure cleaner.*
- *Maximum water temperature 60°C (please observe the instructions of your high-pressure cleaner).*
- *Only use care products manufactured by KÄRCHER. The use of other detergents or chemicals may compromise the safety of the appliance.*

## Description of the Appliance

In the event of missing accessories or any transport damage, please contact your dealer.

### Illustrations on fold-out page!

#### Illustration 1



- 1 Care product nozzle
- 2 Care product container
- 3 Steering roller
- 4 Recessed grip
- 5 Protective grid for cleaning head
- 6 2 x high pressure nozzle, yellow
- 7 2 x high pressure nozzle, black
- 8 2 x high pressure nozzle, orange (already installed)
- 9 Cleaning head
- 10 Joint for height adjustment
- 11 Locking nut
- 12 Spray lance connection
- 13 Spray lances
- 14 Holder with spray lances
- 15 Rear support
- 16 Car wash shampoo (250 ml)
- 17 Underbody wax (250 ml)

## Preparing the Appliance

### Installing the nozzles

Select the nozzles to match the high pressure cleaner used.

**K 2:** Use yellow high pressure nozzles

**K 3, K 4, K 5:** Use black high-pressure nozzles

**K 6, K 7:** Use orange high pressure nozzles (already installed)

#### Illustration 2

→ Remove the protective grid from the cleaning head.

#### Illustration 3

→ Remove the clamp for the nozzle mount.

→ Pull out the unneeded high pressure nozzle.

- Select the high pressure nozzle needed to match the high pressure cleaner used and press them in.
- Insert the clamp and secure the high pressure nozzle.
- Insert the protective grid and secure with clamps.

### Assembling the underbody cleaner

#### Illustration 4

→ Pull the two outer spray lances off of the intake; these will be needed later.

#### Illustration 5

→ Completely turn back the fastening nut on the connection of the cleaning head guide.

→ Press the spray lance onto the connection; rotate all the way to the stop by 90°.

→ Tighten the fastening nut and secure the connection.

#### Illustration 6

→ Press the rear support onto the spray lance; rotate all the way to the stop by 90°. Fasten with a fastening nut.

#### Illustration 7

→ Press both spray lances onto the the rear support; rotate all the way to the stop by 90°. Fasten with fastening nuts.

Now, the underbody cleaner is ready to be used and connected to a KÄRCHER high pressure cleaner.

**Note:** The underbody cleaning should be performed prior to general car cleaning processes.

## Start up

→ Operate the high pressure cleaner as instructed in the operating instructions.

#### Illustration 8

→ Press the hand spray gun of the high pressure cleaner onto the spray lances; rotate all the way to the stop by 90°. Fasten with a fastening nut.

## Operation

**Note:** Please read and observe the safety instructions prior to use!

### Apply car wash shampoo

Apply the car wash shampoo with the care product nozzle under the body of the vehicle before starting the undercarriage wash.

- Use the care product nozzle instead of the cleaning head.
- Fill in 0,2 liter car wash shampoo into the tank and apply.

### Underbody cleaning

- Turn on the high-pressure cleaner.

Illustration 9

**Adjust the height of the cleaning head:**

- Hold the cleaning head by the handle recess and set it to the desired height by pulling and pushing.

Illustration 10

- Slide the underbody cleaner under the body of the vehicle.
- Unlock the lever on the hand spray gun (see high pressure cleaner operating instructions).
- Press the lever on the hand spray gun and begin cleaning (see high pressure cleaner operating instructions).

**Note:** The underbody cleaner with its articulating guide rollers can be moved effortlessly under the vehicle. If it gets stuck, please do not use excessive force.

## Underbody care

You can apply care products after the underbody wash with the care product nozzle to preserve the vehicle.

Please observe the instructions on the care product bottle.

Illustration 11

- Use the care product nozzle instead of the cleaning head.
- Fill 0.2 litres of care product into the care product container.  
Completely use up the container contents for the underbody care; do not pour the care product back into the bottle.
- For procedure see "Underbody cleaning".

## Finish operation

**After concluding the cleaning process, clean the care product nozzle, the cleaning head and the underbody cleaner:**

- Remove the hand spray gun from the spray lance.

Illustration 12

- Press the lever on the hand spray gun and clean the underbody cleaner with a gentle water jet.
- After cleaning, switch off the high pressure cleaner.
- Unscrew the empty care product container from the care product nozzle.
- Clean the care product nozzle and the care product container under running water until all care product residue has been removed.

## Storage

For space-saving - it is possible to store the underbody cleaner hanging up.

- Clip both spray lances into their holders.

Illustration 13

- Hook the underbody cleaner onto the wall or into a KÄRCHER organiser (special accessory, order no. 2.641-630.0).

## Helpline

KÄRCHER UK Limited operates a helpline allowing customers to discuss any problems experienced with our products.

The helpline operates during normal business hours and may be busy at peak periods. If you have difficulty getting through we would ask that you try to contact us again later in the day.

**The helpline number is 01295 752200,  
open from 8.30 am to 5.00 pm  
Monday to Friday.**

It helps us if you have the model number and data plate details to hand before making your call so that we can assist you with your query more effectively.

**Alternatively you may write to us at the address below:**

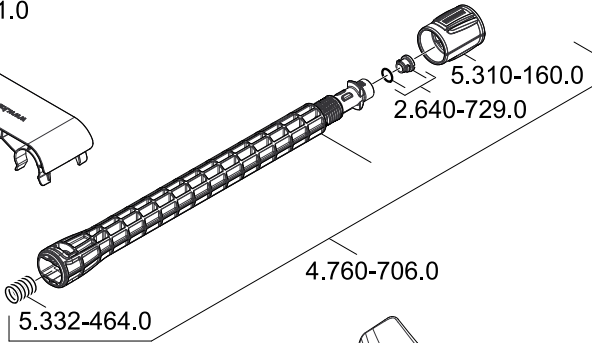
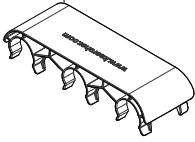
KÄRCHER UK Ltd  
Kärcher House  
Beaumont Road  
Banbury  
Oxon, OX16 1TB

**or E-mail us:**

[info@karcher.co.uk](mailto:info@karcher.co.uk)



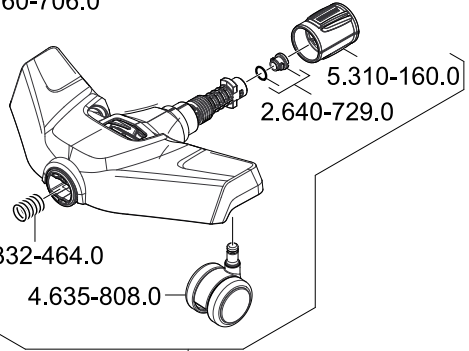
5.112-881.0



5.310-160.0  
2.640-729.0

4.760-706.0

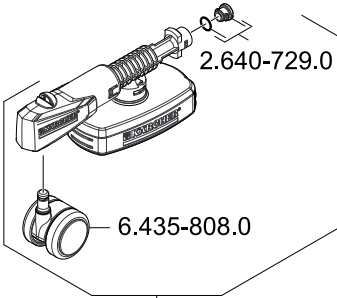
5.332-464.0



5.310-160.0  
2.640-729.0

5.332-464.0

4.635-808.0

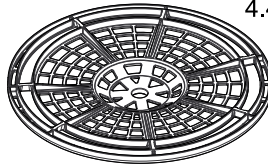


2.640-729.0

6.435-808.0

4.764-234.0

4.481-278.0



5.394-865.0

2.641-556.0  
(schwarz/black/noir)

2.640-642.0  
(gelb / yellow / jaune)

2.642-689.0  
(orange)

2.883-963.0

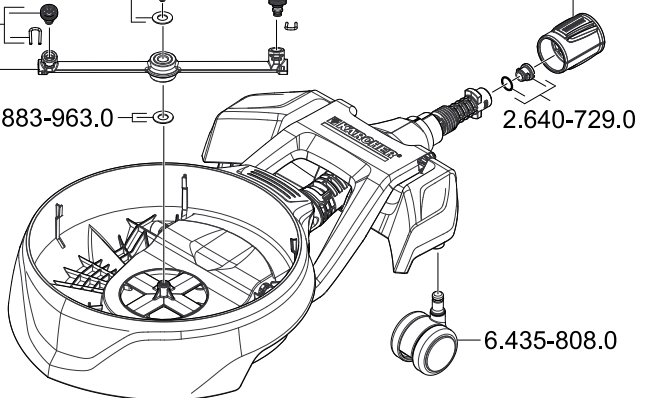
5.116-448.0

5.310-160.0

2.883-963.0

2.640-729.0

2.885-270.0



6.435-808.0

**A**  
Alfred Kärcher Ges.m.b.H.  
Lichtblaustraße 7  
1220 Wien  
☎ (01) 250 600

**AUS**  
Kärcher Pty. Ltd.  
40 Koornang Road  
Scoresby VIC 3179  
☎ (03) 9765 - 2300

**B / LUX**  
Kärcher N.V.  
Industrieweg 12  
2320 Hoogstraten  
☎ B: 0900 10027  
LUX: 0032 900 10027

**BR**  
Kärcher Indústria e Comércio Ltda.  
Av. Prof. Benedito Montenegro 419  
CEP 13.140-000 - Paulínia - SP  
☎ 0800 176 111

**CAN**  
Kärcher Canada Inc.  
6975 Creditview Road Unit #2  
Mississauga, Ontario L5N 8E9  
☎ 1-800-465-4980

**CH**  
Kärcher AG  
Industriestraße 16  
8108 Dällikon  
☎ 0844 850 863

**CZ**  
Kärcher spol s r.o.  
Modletice č.p. 141  
251 01 Říčany u Prahy  
☎ 0323 606 014

**D**  
Alfred Kärcher GmbH & Co. KG  
Service-Center Gissigheim  
Im Gewerbegebiet 2  
97953 Königheim-Gissigheim  
☎ (07195) 903 2065

**DK**  
Kärcher Rengøringsystemer A/S  
Gejlhøvegård 5  
6000 Kolding  
☎ 70 206 667

**E**  
Kärcher S.A.  
Pol. Industrial Font del Radium  
Calle Doctor Trueta 6-7  
08400 Granollers (Barcelona)  
☎ 902 170 068

**F**  
Kärcher S.A.S.  
5 Avenue des Coquelicots  
Z.A. des Petits Carreaux  
94865 Bonneuil-sur-Marne  
☎ (01) 43 996 770

**FIN**  
Kärcher OY  
Yrittäjätie 17  
01800 Klaukkala  
☎ 0207 413 600

**GB**  
Kärcher(UK) Limited  
Kärcher House  
Beaumont Road  
Banbury  
Oxon, OX16 1TB  
☎ 01295 752 200

**GR**  
Kärcher Cleaning Systems A.E.  
31-33, Nikitara str. &  
Konstantinoupoleos str.  
13671 Acharnes  
☎ 210 - 2316 153

**H**  
Kärcher Hungária Kft  
Tormásrét ut. 2.  
2051 Biatorbágy  
☎ (023) 530 640

**HK**  
Kärcher Limited  
Unit 10, 17/F.  
APEC Plaza  
49 Hoi Yuen Road  
Kwun Tong, Kowloon  
☎ (02) 357-5863

**I**  
Kärcher S.p.A.  
Via A. Vespucci 19  
21013 Gallarate (VA)  
☎ 848 - 99 88 77

**IRL**  
Kärcher Ltd  
C1 Centrepoint Business Park  
Oak Road  
Dublin 12  
☎ (01) 409 7777

**KOR**  
Kärcher (Korea) Co. Ltd.  
162 Gukhoe-daero  
(872-2 Sinjeong-Dong)  
Seoul, Korea  
☎ 02-322-6588, A/S.1544-6577

**MAL**  
Kärcher Cleaning Systems Sdn. Bhd.  
No. 8, Jalan Serindit 2  
Bandar Puchong Jaya  
47100 Puchong, Selangor  
☎ (03) 5882 1148

**MEX**  
Kärcher México, SA de CV  
Av. Gustavo Baz No. 29-C  
Col. Naucalpan Centro  
Naucalpan, Edo. de México  
C.P. 53000 México  
☎ 01 800 024 13 13

**N**  
Kärcher AS  
Stanseveien 31  
0976 Oslo  
☎ 24 17 77 00

**NL**  
Kärcher BV  
Postbus 474  
4870 AL Etten-Leur  
☎ 0900-33 444 33

**NZ**  
Kärcher Limited  
12 Ron Driver Place  
East Tamaki, Auckland  
☎ (09) 274-4603

**P**  
NEOPARTS II - Equipamentos, S.A.  
Av. Infante D. Henrique, Lote 35  
1800-218 Lisboa  
☎ 21 8558300

**PL**  
Kärcher Sp. z o.o.  
Ul. Stawowa 140  
31-346 Kraków  
☎ (012) 6397-222

**PRC**  
Kärcher Cleaning Systems Co., Ltd.  
Part B, Building 30,  
No. 390 Ai Du Road  
Shanghai Waigaoqiao 200131  
☎ (021) 5046-3579

**RO**  
Kärcher Romania s.r.l.  
Sos. Odaii Nr. 439  
013606 București  
☎ 0372 709 001

**RUS**  
ООО «Керхер», ул.  
Электрозаводская, д.27,  
стр.2, 107023 Москва  
☎ (495) 228 39 45

**S**  
Kärcher AB  
Tagenvägen 31  
42502 Hisings-Kärä  
☎ (031) 577-300

**SGP**  
Kärcher Asia Pacific Pte. Ltd.  
5 Toh Guan Road East  
#01-00 Freight Links  
Express Distripark  
Singapore 608831  
☎ 6897-1811

**SK**  
Kärcher Slovakia, s.r.o.  
Beniakova 2  
94901 Nitra  
☎ 037 6555 798

**TR**  
Kärcher Servis Ticaret A.S.  
9 Eylül Mahallesi  
307 Sokak No. 6  
Gazizmir / Izmir  
☎ (0232) 252-0708

**TWN**  
Kärcher Limited  
5F/6. No.7  
Wu-Chuan 1st Rd  
Wu-Ku Industrial Zone  
Taipei County  
☎ (02) 2299-9626

**UA**  
Kärcher Ukraine  
Kilzeva doroga, 9  
03191, Kyiv  
☎ (044) 594 75 75

**UAE**  
Kärcher FZE  
Jebel Ali Free Zone  
RA 8, XB 1, Jebel Ali, Dubai  
☎ (04) 8836-776

**USA**  
Alfred Kärcher, Inc  
2170 Satellite Blvd  
Suite 350  
Duluth, GA 30097  
☎ 678-935-4545; 877-527-2437

**ZA**  
Kärcher (Pty.) Limited  
144 Kuschke Street  
Meadowdale  
Edenvale 1614  
☎ (011) 574-5360



**KÄRCHER®**

[www.kärcher.com](http://www.kärcher.com)