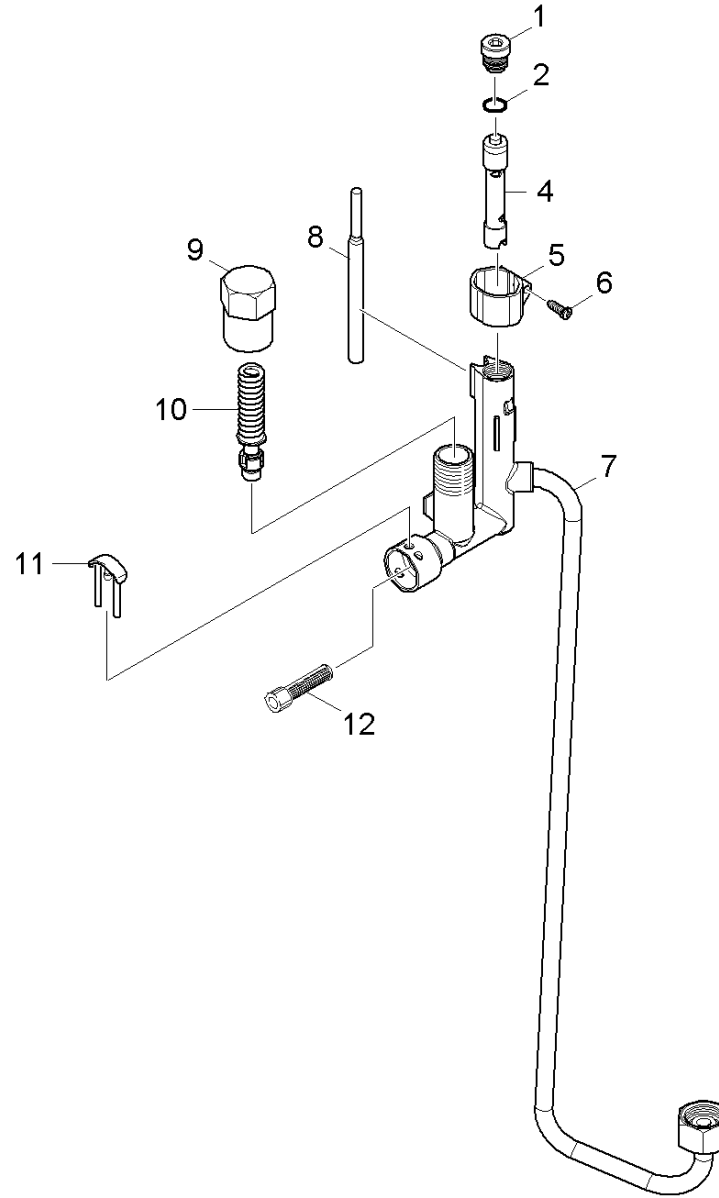


90 Safety system

Overview technical documents/Professional/High pressure cleaner hotwater/Electric motor/HDS 6/14-4 C *EU (1.170-210.0)/Spare parts list HDS 6/14-4C/90 Safety system



90 Safety system

Overview technical documents/Professional/High pressure cleaner hotwater/Electric motor/HDS 6/14-4 C *EU (1.170-210.0)/Spare parts list HDS 6/14-4C/90 Safety system

Rez.daļas/nodil.pakļ.daļas	Poz.	Materiāla Nr.	Nosaukums	Daudzums	Pārdoš. vienība
	1	5.305-162.0	Formas skrūve	1.000	ST
	2	6.362-482.0	Gredzenblīve 10 x 1,5-NBR 70	1.000	ST
X-X	4	4.551-058.0	Cartridge protection from 4.553-303.0	1.000	ST
	5	5.041-076.0	Clamp	1.000	ST
	6	6.303-122.0	M4	1.000	ST
	7	4.427-354.0	Manifold complete	1.000	ST
X-X	8	2.885-051.0	Reed switch	1.000	ST
	9	5.304-116.0	Adjusting screw	1.000	ST
	10	4.580-783.0	Safety valve only for replacement	1.000	ST
X	11	4.037-013.0	Spare part	1.000	ST
X-X	12	6.414-566.0	Sieta filtrs WMS	1.000	ST