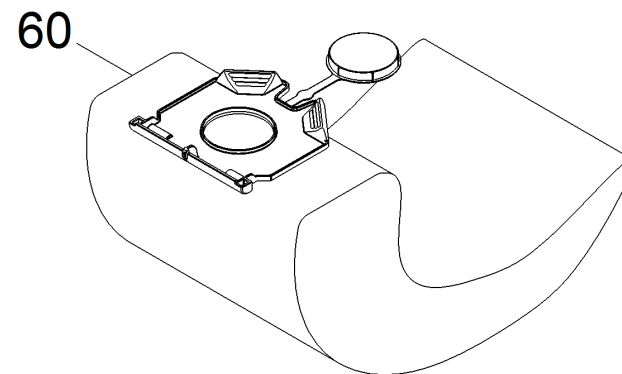
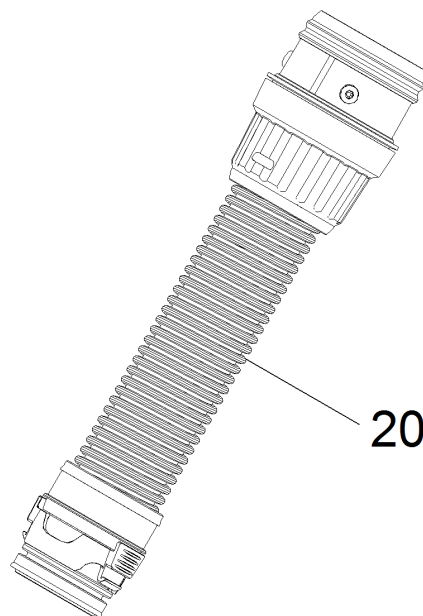
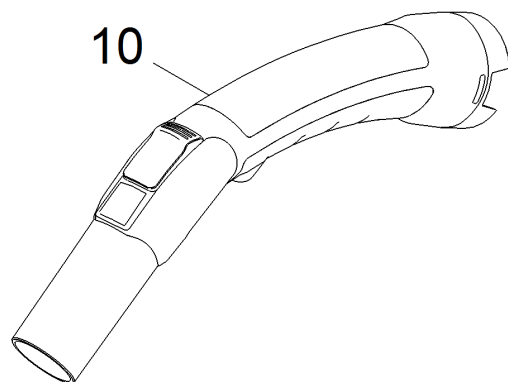
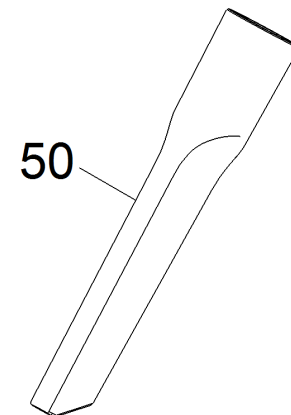
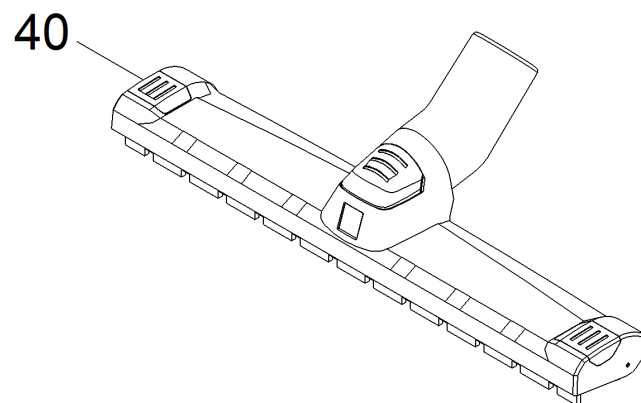
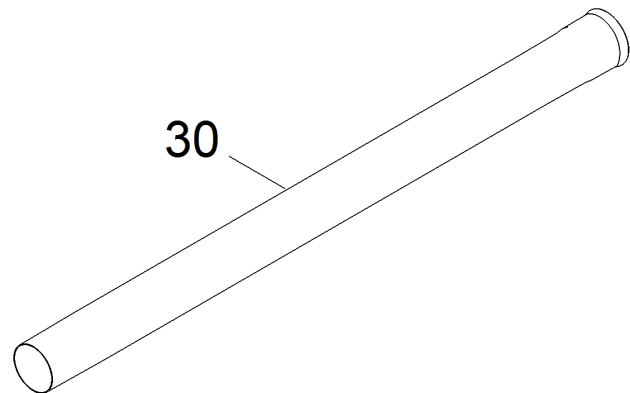


Spare parts list

Accessories

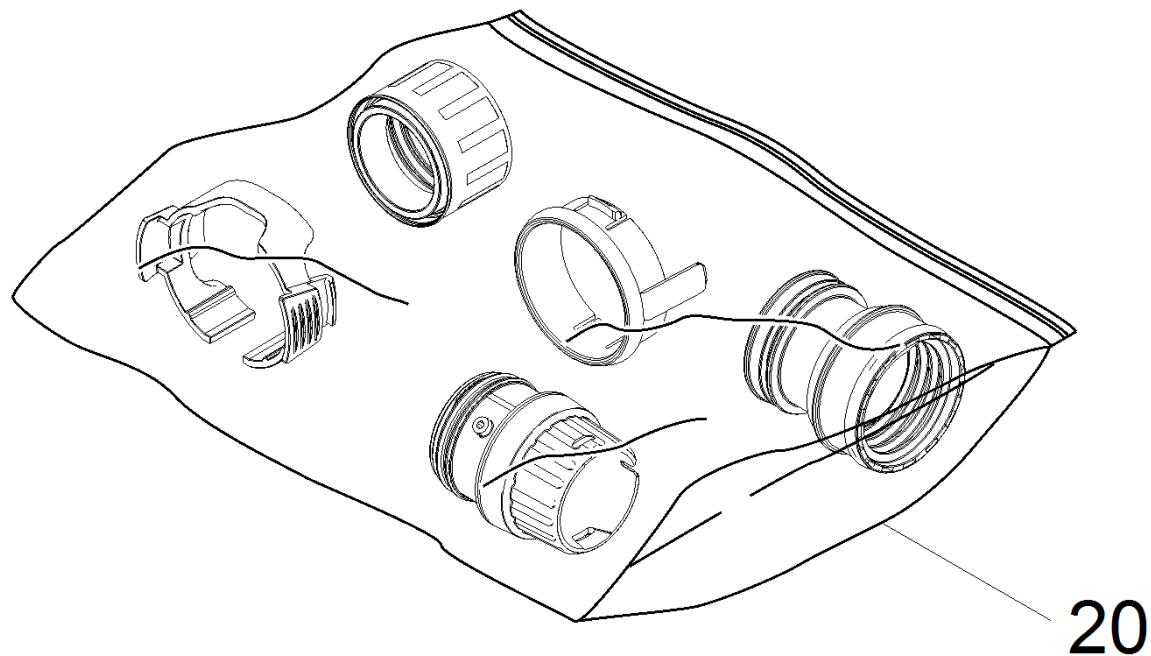
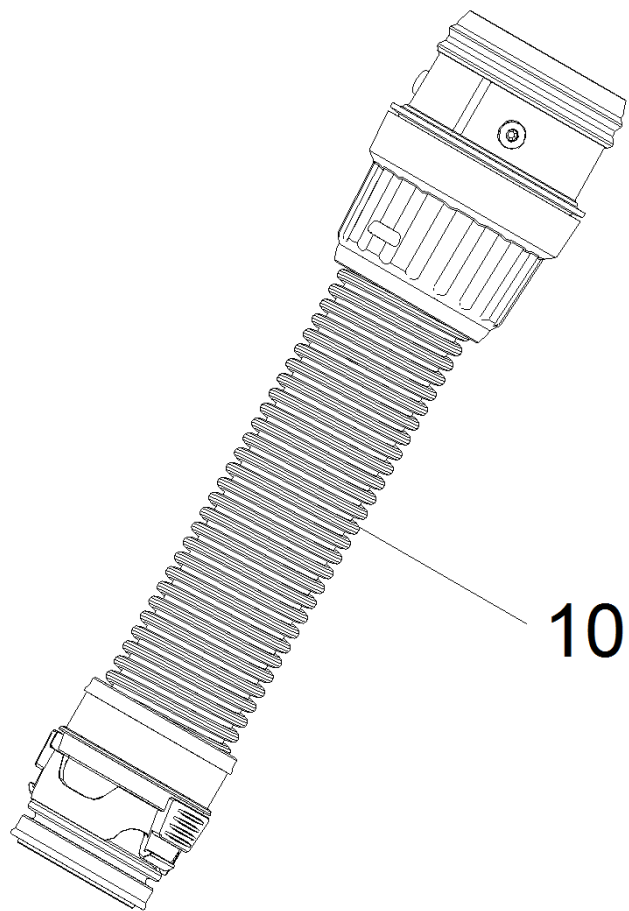
Table of contents

70 Accessories	3
20 Hose packaged NW35 2.5m (2.889-134.0)	5
10 Suction hose complete NW35 2,5m	7
20 Repair set NW35 (2.889-149.0)	9



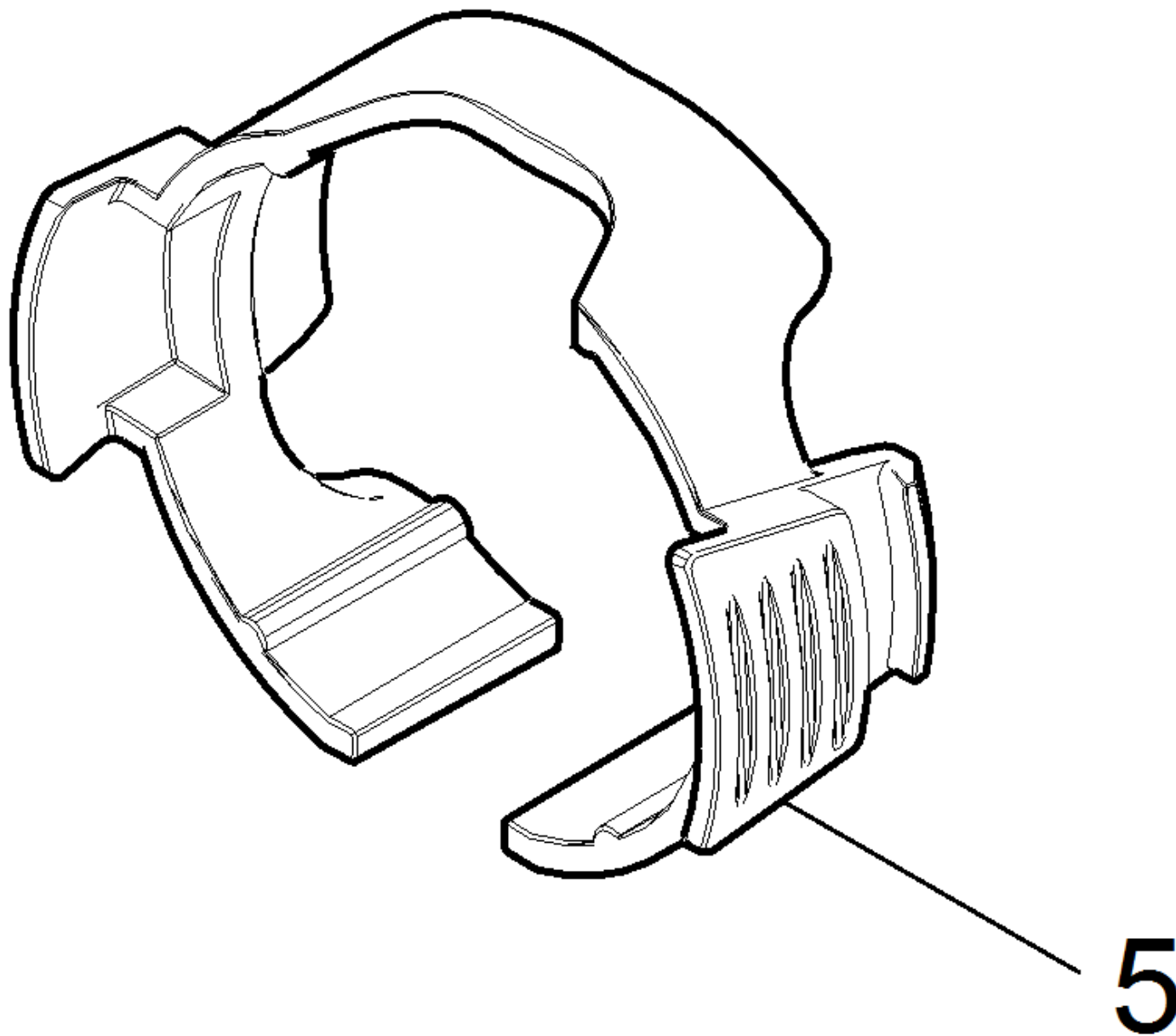
70 Accessories

POS	Preces Nr.	Apraksts	Quantity	Unit
50	2.889-159.0	Crevice nozzle wet and dry packaged NW35	1.000	ST
10	2.889-170.0	Elbow packaged NW35 2K	1.000	ST
60	2.889-154.0	Filter bags-fleece 5 piece 30 Liter	1.000	ST
40	2.889-173.0	Floor tool anthracite packaged NW35	1.000	ST
20	2.889-134.0	Hose packaged NW35 2.5m	1.000	ST
30	2.889-191.0	Set suction tube chromed NW35 550mm	1.000	ST



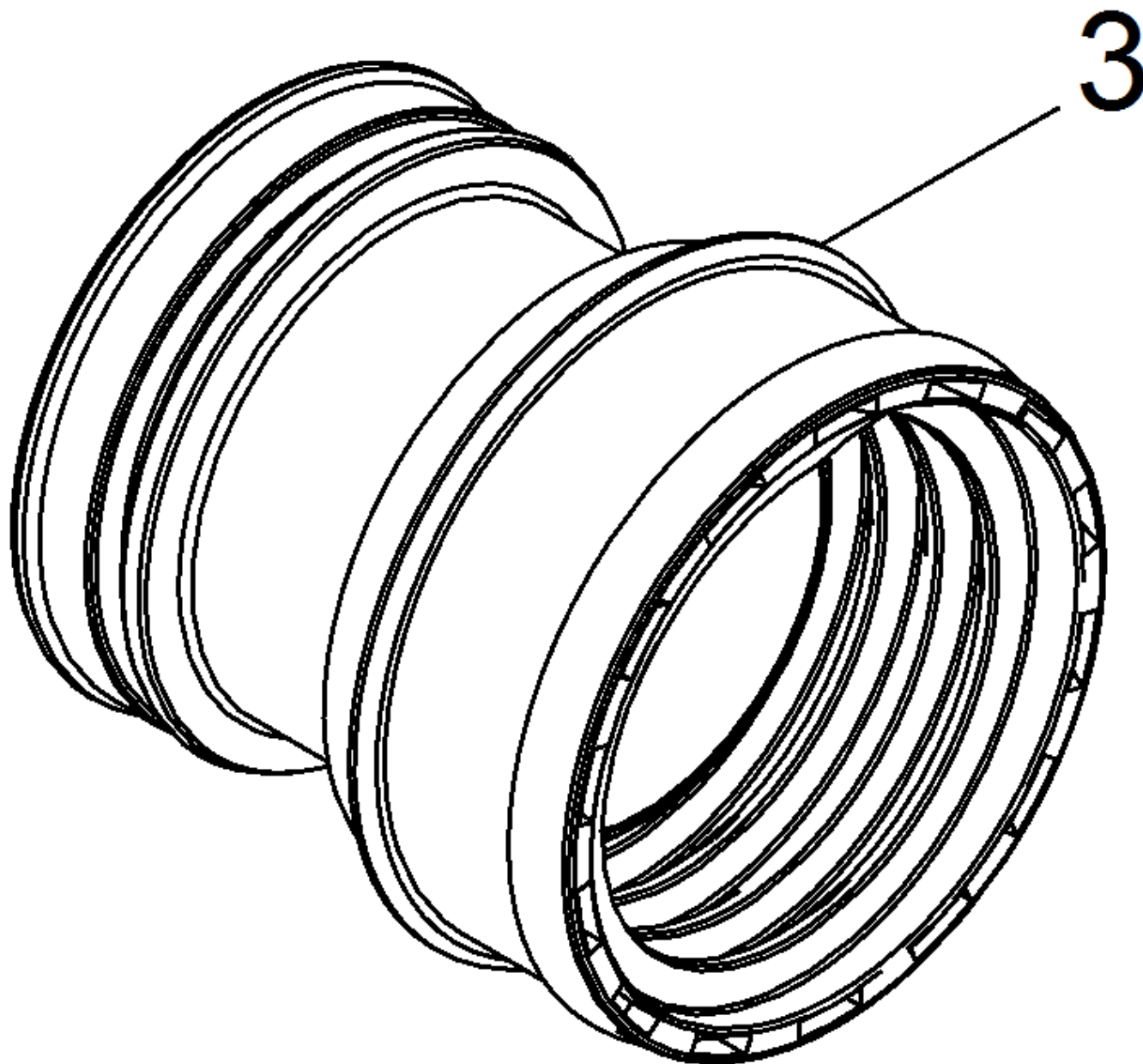
20 Hose packaged NW35 2.5m (2.889-134.0)

POS	Preces Nr.	Apraksts	Quantity	Unit
20	2.889-149.0	Repair set NW35	1.000	ST
10		Suction hose complete NW35 2,5m	1.000	ST



10 Suction hose complete NW35 2,5m

POS	Preces Nr.	Apraksts	Quantity	Unit
5	5.031-140.0	Tension ring NW35	1.000	ST



20 Repair set NW35 (2.889-149.0)

POS	Preces Nr.	Apraksts	Quantity	Unit
3	5.406-005.0	Threaded ring electrically conducting NW	1.000	ST