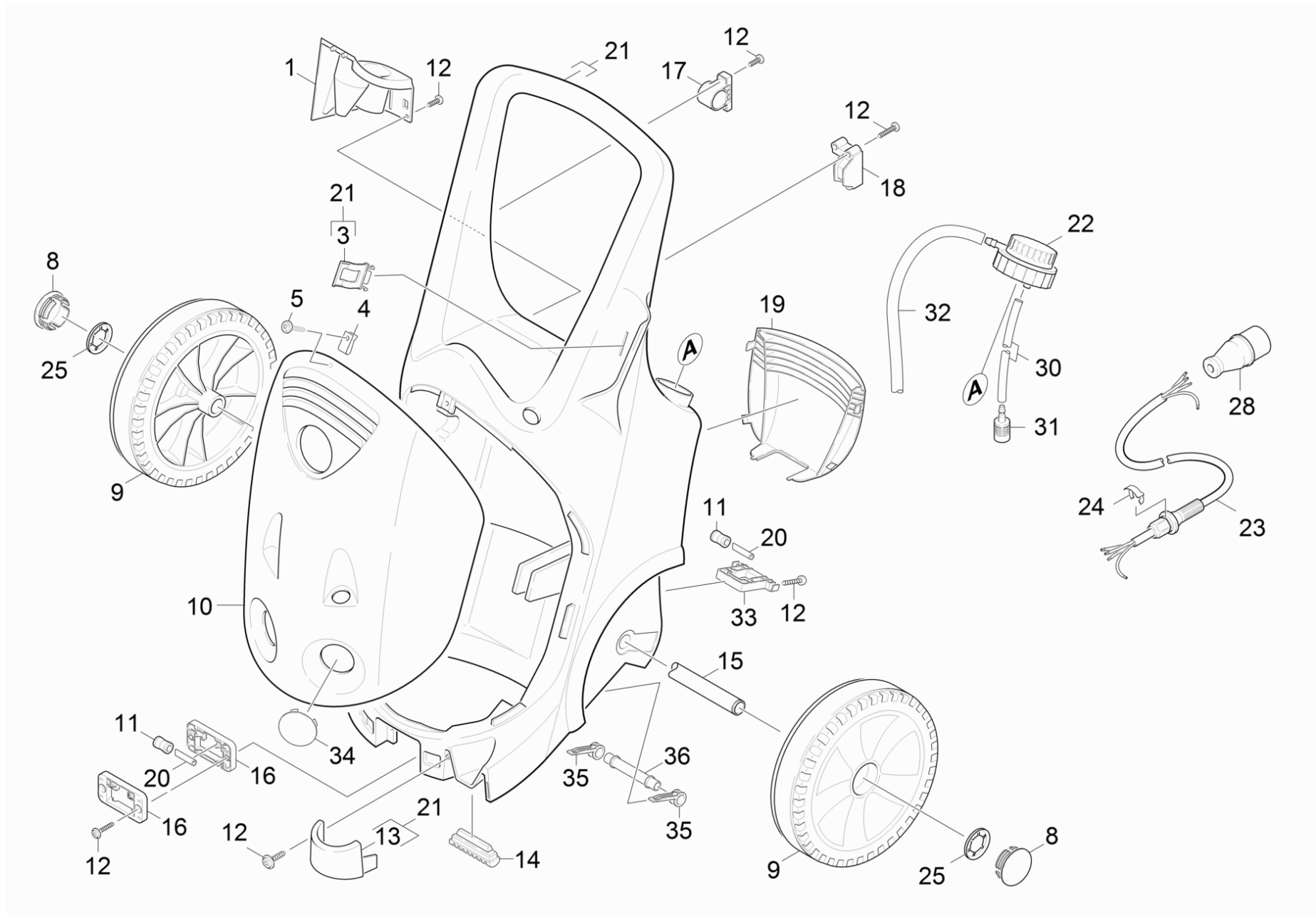


11 Housing

Professional \ High pressure cleaner cold water \ Electric motor \ AC-180EC John Deere *EU-I \ Spare parts list AC-180 EC \ Housing \ Housing



11 Housing

Professional \ High pressure cleaner cold water \ Electric motor \ AC-180EC John Deere *EU-I \ Spare parts list AC-180 EC \ Housing \ Housing



POS	Article no.	Description	Quantity	Unit	Foot note text
1	5.667-061.0	Nozzle holder	1.000	ST	
3	5.044-666.0	Holder jet pipe	1.000	ST	
4	6.310-053.0	Putting nut	1.000	ST	
5	6.304-099.0	Saucer-head screw M 6x 18-4.8-R2R	1.000	ST	
8	2.889-106.0	Set wheel cap AC-180 EC	1.000	ST	SET OF 2 PIECES
9	4.515-030.0	Wheel complete	2.000	ST	
10	4.069-041.0	Cover only for replacement	1.000	ST	
11	5.515-191.0	Roller	4.000	ST	
12	7.303-110.0	Screw 5x35 -10.9-R2R (In6Rd)	15.000	ST	
13	5.013-091.0	Funnel	1.000	ST	
14	5.057-062.0	Support	2.000	ST	
15	5.033-342.0	Axle	1.000	ST	
16	5.044-646.0	Holder roller front	2.000	ST	
17	5.251-049.0	Bearing support right	1.000	ST	
18	5.251-048.0	Bearing support left	1.000	ST	
19	5.032-406.0	Covering cap	1.000	ST	
20	5.128-511.0	Axle	4.000	ST	
21	4.050-601.0	Frame complete	1.000	ST	
22	4.580-020.0	Chemistry mertering valve only for repla	1.000	ST	
23	6.648-773.0	Cable complete	1.000	ST	
24	6.343-186.0	Locking ring	1.000	ST	
25	6.343-162.0	Lock washer -25	2.000	ST	
28	6.646-030.0	Plug CEE ,16A,5p,IP44	1.000	ST	
30	6.388-216.0	Hose DN 5	1.000	M	TO ORDER AS CUT GOODS
31	5.731-652.0	Filter with weight	1.000	ST	
32	6.388-194.0	Hose DN 7	1.000	M	TO ORDER AS CUT GOODS
33	5.044-647.0	Holder roller rear	1.000	ST	
34	5.032-475.0	Covering cap cover	1.000	ST	
35	5.044-652.0	Holder roll	2.000	ST	
36	5.100-422.0	REVERSING ROLLING MILL	1.000	ST	