

Spare parts list

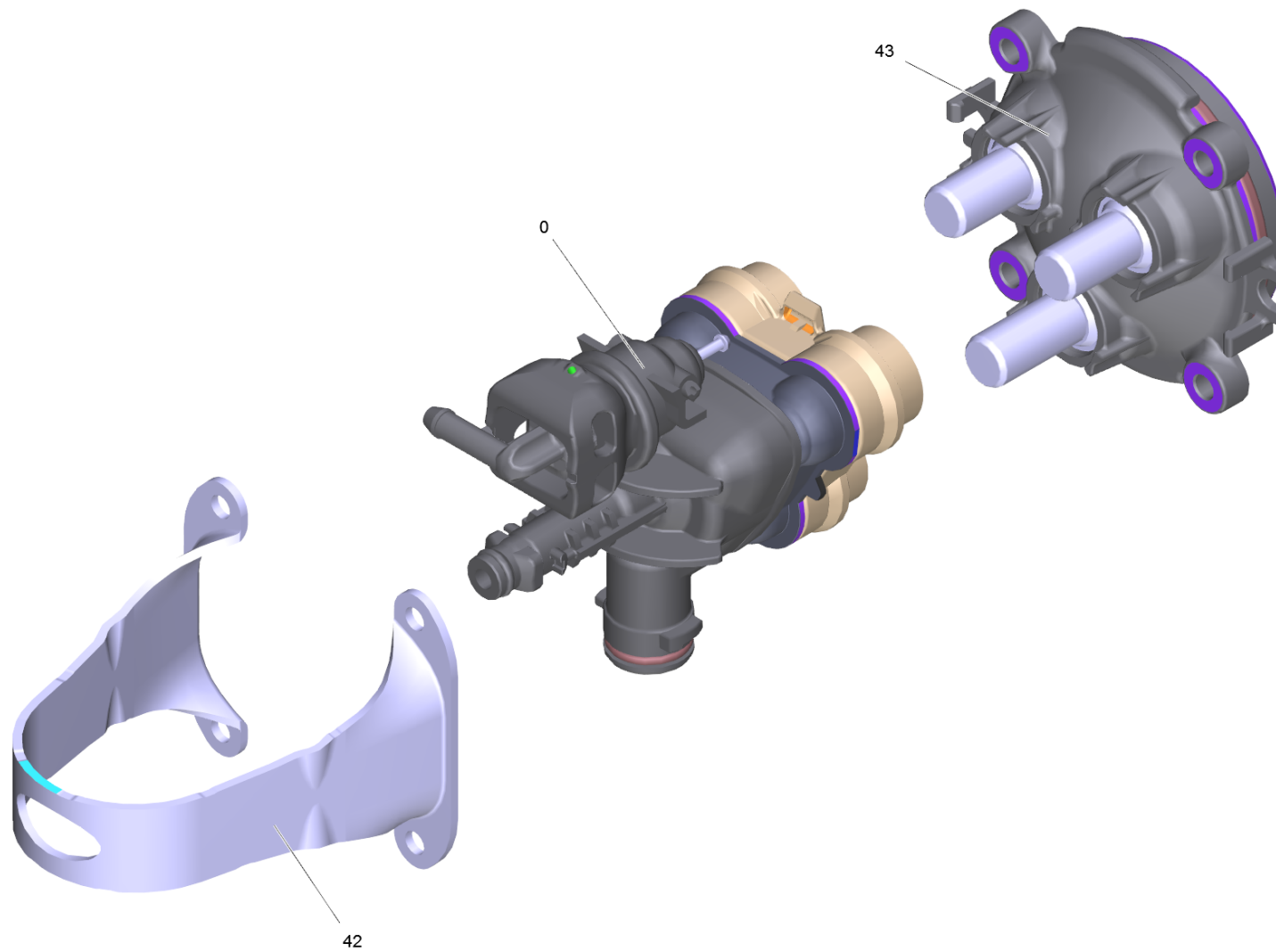
(4.551-144.0) Cylinder head for replacement (981) RV

Table of contents

903 Cylinder head for replacement (981) RV (4.551-144.0)	3
1 Cylinder head complete RV K2.0X	4
Cylinder head only for replacement (4.551-159.3)	6
40 Cylinder head RV K2.0X (4.550-980.0)	8
45 Spare parts set control piston with nipp (2.885-397.0)	10
43 Thrust guidance complete quadruple	12

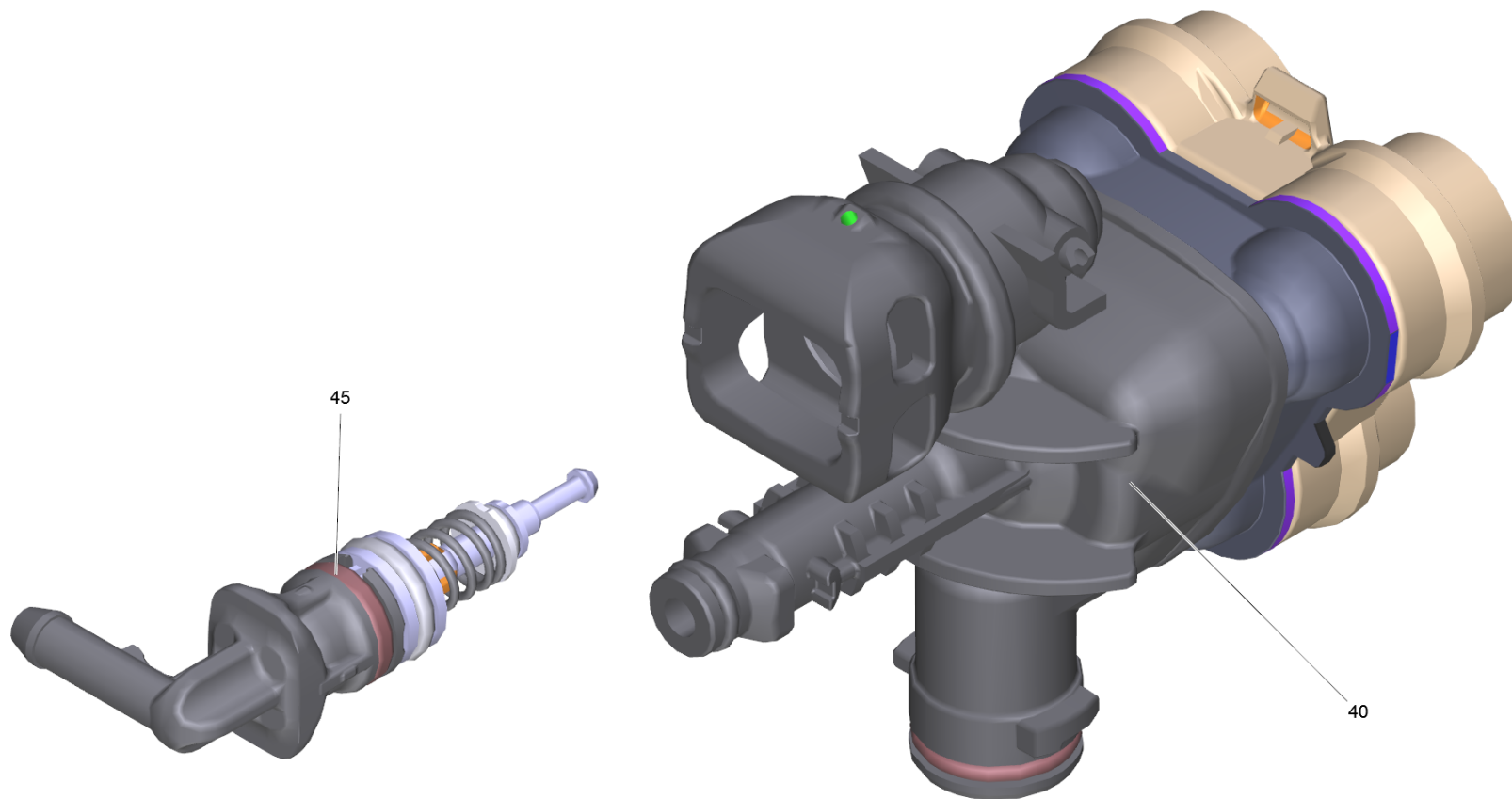
903 Cylinder head for replacement (981) RV (4.551-144.0)

POS	Description	Quantity	Unit
1	Cylinder head complete RV K2.0X	1	PC



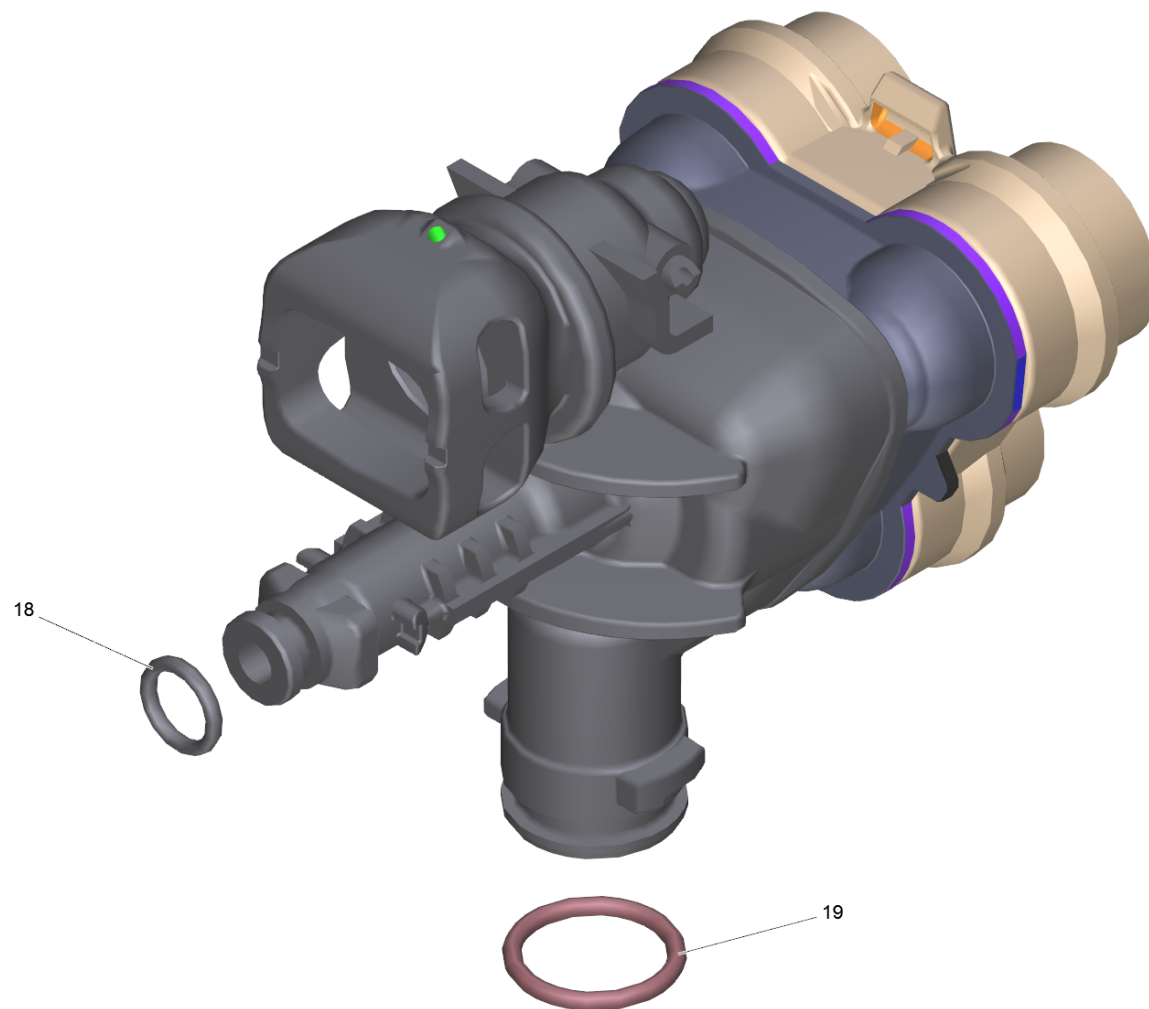
1 Cylinder head complete RV K2.0X

POS	Article no.	Description	Quantity	Unit
0	4.551-159.3	Cylinder head only for replacement	1	PC
42	5.051-384.0	Sheet metal component 4-fach	1	PC
43		Thrust guidance complete quadruple	1	PC



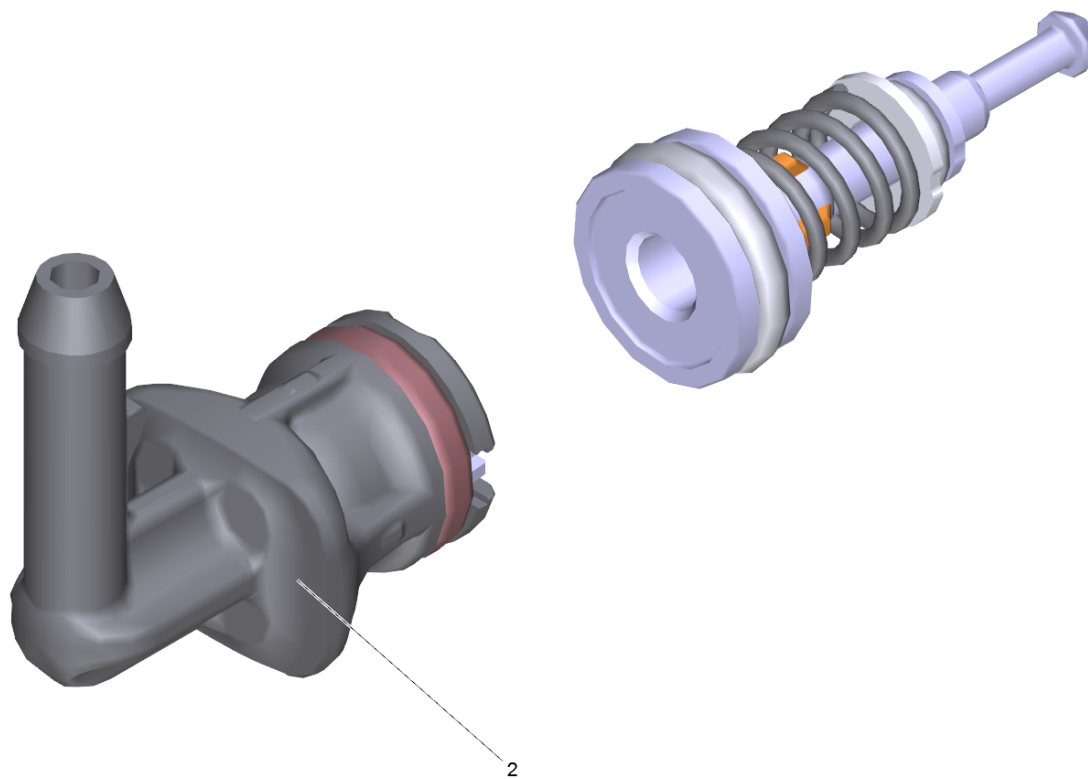
Cylinder head only for replacement (4.551-159.3)

POS	Article no.	Description	Quantity	Unit
40	4.550-980.0	Cylinder head RV K2.0X	1	PC
45	2.885-397.0	Spare parts set control piston with nipp	1	PC



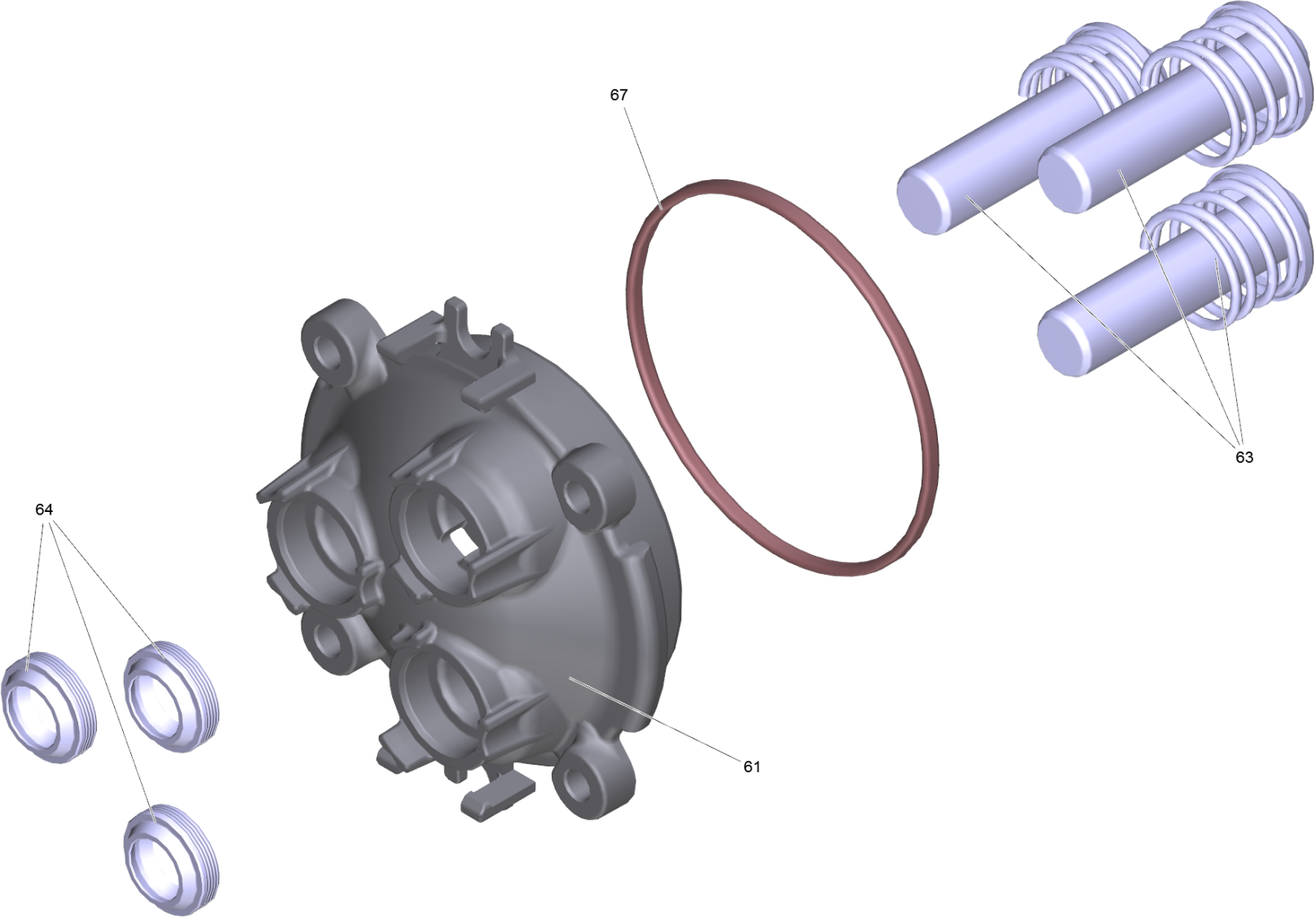
40 Cylinder head RV K2.0X (4.550-980.0)

POS	Article no.	Description	Quantity	Unit
18	6.362-113.0	O-Ring seal 6,0 x 2,0 NBR 70	1	PC
19	6.362-427.0	O-Ring seal 15,0x2,0	1	PC



45 Spare parts set control piston with nipp (2.885-397.0)

POS	Article no.	Description	Quantity	Unit
900	6.288-088.0	Grease Molikote 55 M	1	PC
2	2.885-396.0	Spare parts set nipple chemistry RV	1	PC



43 Thrust guidance complete quadruple

POS	Article no.	Description	Quantity	Unit
64	6.365-581.3	Grooved ring 12x18x4/6 NBR 75 Shore A	3	PC
67	6.362-826.0	O-Ring seal 61,6x2,62	1	PC
63	2.885-398.0	Spare parts set piston with spring RV	3	PC
61	5.062-412.0	Thrust guidance V2 R V	1	PC