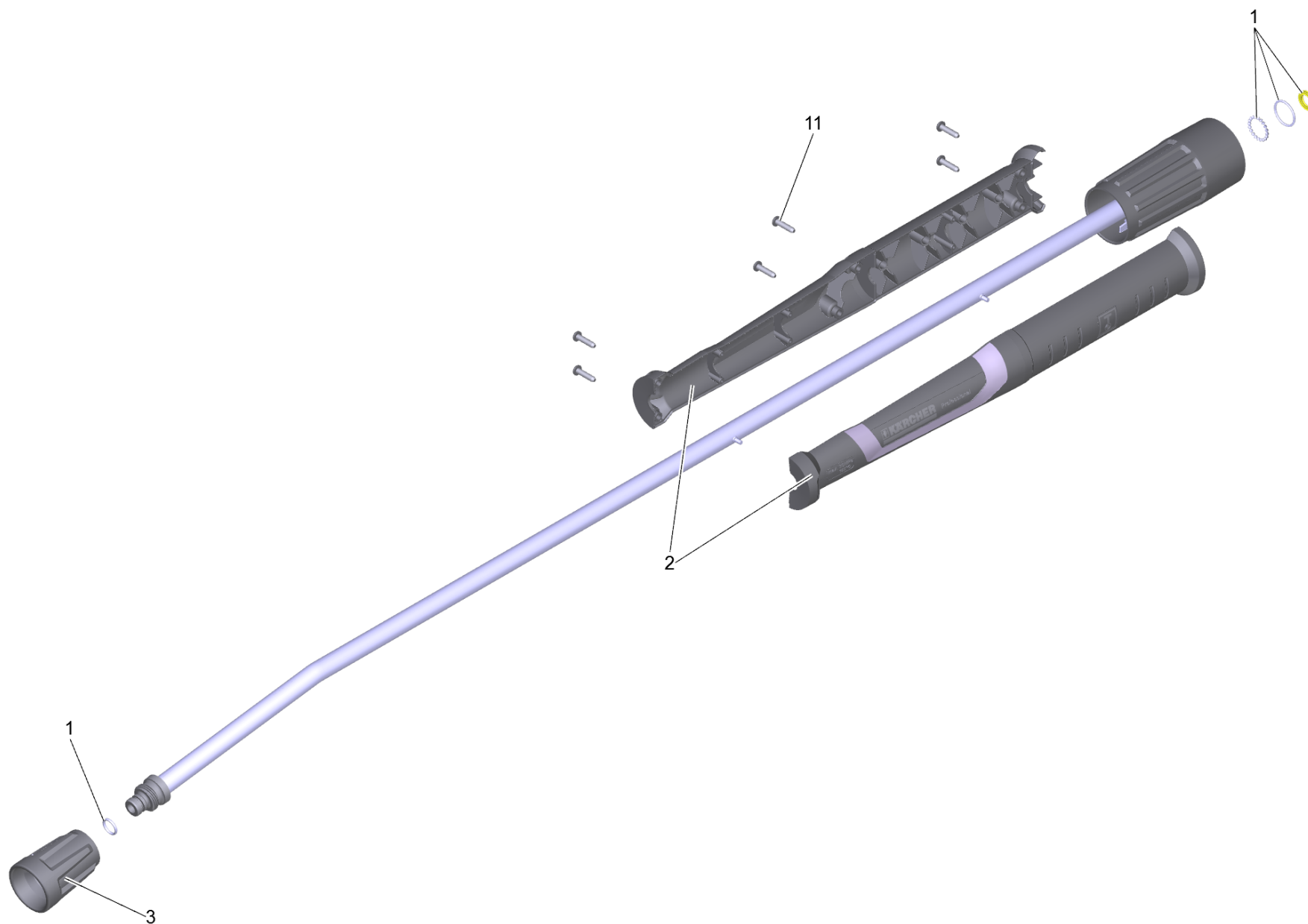


Table of contents

Jet pipe TR 1550 mm (4.112-018.0)	2
1 Jet pipe trapezoidal thread 1550 mm	3

Jet pipe TR 1550 mm (4.112-018.0)

POS	Description	Quantity	Unit
1	Jet pipe trapezoidal thread 1550 mm	1.000	ST



1 Jet pipe trapezoidal thread 1550 mm

POS	Article no.	Description	Quantity	Unit
1	4.100-688.0	Spare part set seal TR	1.000	ST
2	5.321-018.3	Handle bowl jet pipe only for replacemen	1.000	ST
3	4.112-011.0	Protection part TR only for replacement	1.000	ST
11	7.303-129.0	Screw 4x16 -10.9-R2R (K-In6Rd)	6.000	ST